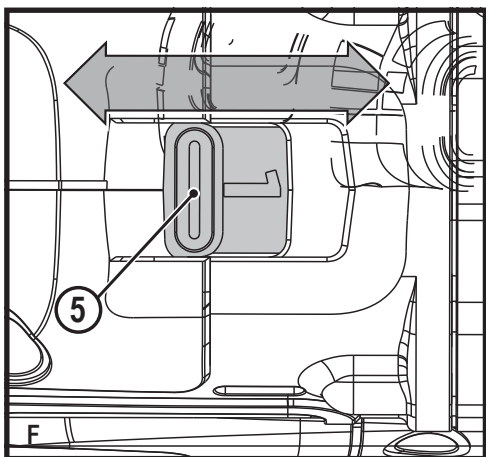
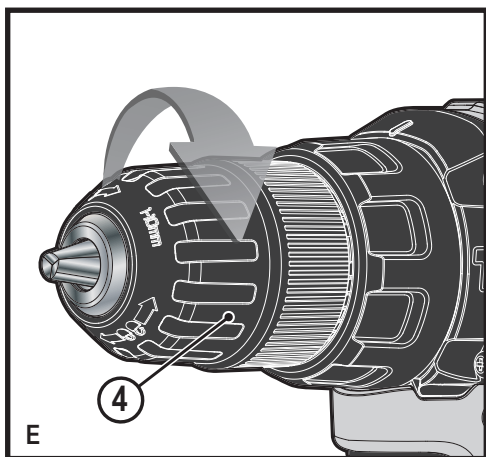
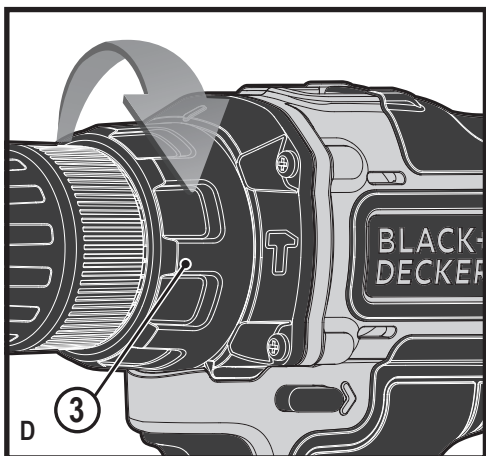
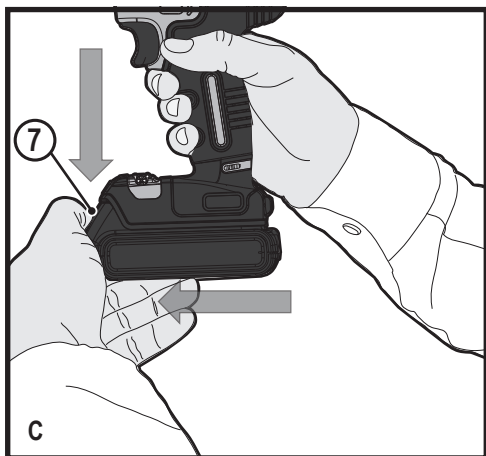
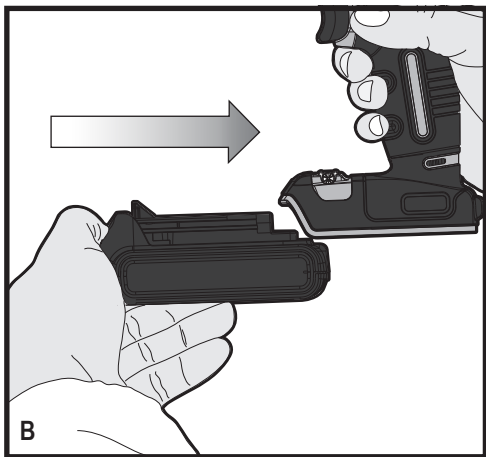
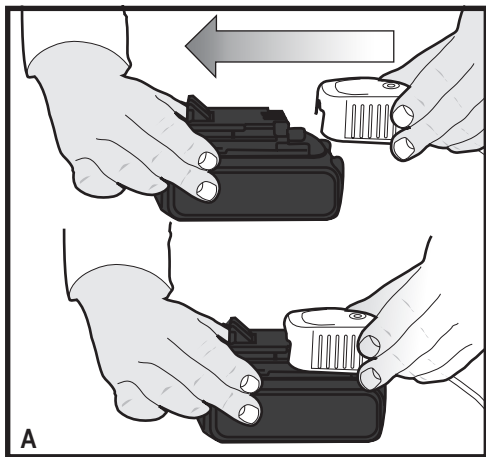


English (original instructions).....	4
Deutsch (Übersetzung der Originalanweisung).....	10
Français (traduction de la notice d'instructions originale).....	17
Italiano (tradotto dalle istruzioni originali)	24
Nederlands (vertaald vanuit de originele instructies).....	31
Español (traducido de las instrucciones originales)	38
Português (traduzido das instruções originais)	45
Svenska (översatt från de ursprungliga instruktionerna)	53
Norsk (oversatt fra de originale instruksjonene)	58
Dansk (oversat fra original brugsvejledning)	64
Suomi (käännetty alkuperäisestä käyttöohjeesta)	71
Ελληνικά (μετάφραση από τις πρωτότυπες οδηγίες).....	77



Intended use

Your BLACK+DECKER BCD700S Impact Drill, has been designed for screwdriving applications and for drilling in wood, metal and masonry. This tool is intended for consumer use only.

Safety instructions

General power tool safety warnings



Warning! Read all safety warnings, instructions, illustrations and specifications provided with this power tool. Failure to follow all instructions listed below may result in electric shock, fire and/or serious injury.

Save all warnings and instructions for future reference.

The term "power tool" in all of the warnings listed below refers to your mains operated (corded) power tool or battery operated (cordless) power tool.

1. Work area safety

- a. **Keep work area clean and well lit.** Cluttered or dark areas invite accidents.
- b. **Do not operate power tools in explosive atmospheres, such as in the presence of flammable liquids, gases or dust.** Power tools create sparks which may ignite the dust or fumes.
- c. **Keep children and bystanders away while operating a power tool.** Distractions can cause you to lose control.

2. Electrical safety


- a. **Power tool plugs must match the outlet. Never modify the plug in any way.**
Do not use any adapter plugs with earthed (grounded) power tools. Unmodified plugs and matching outlets will reduce risk of electric shock.
- b. **Avoid body contact with earthed or grounded surfaces such as pipes, radiators, ranges and refrigerators.** There is an increased risk of electric shock if your body is earthed or grounded.
- c. **Do not expose power tools to rain or wet conditions.** Water entering a power tool will increase the risk of electric shock.
- d. **Do not abuse the cord. Never use the cord for carrying, pulling or unplugging the power tool. Keep cord away from heat, oil, sharp edges or moving parts.** Damaged or entangled cords increase the risk of electric shock.
- e. **When operating a power tool outdoors, use an extension cord suitable for outdoor use.** Use of a cord suitable for outdoor use reduces the risk of electric shock.
- f. **If operating a power tool in a damp location is unavoidable, use a residual current device (RCD) protected supply.** Use of an RCD reduces the risk of electric shock.

3. Personal safety

- a. **Stay alert, watch what you are doing and use common sense when operating a power tool. Do not use a power tool while you are tired or under the influence of drugs, alcohol or medication.** A moment of inattention while operating power tools may result in serious personal injury.
- b. **Use personal protective equipment. Always wear eye protection.** Protective equipment such as a dust mask, non-skid safety shoes, hard hat, or hearing protection used for appropriate conditions will reduce personal injuries.
- c. **Prevent unintentional starting. Ensure the switch is in the off-position before connecting to power source and/or battery pack, picking up or carrying the tool.** Carrying power tools with your finger on the switch or energising power tools that have the switch on invites accidents.
- d. **Remove any adjusting key or wrench before turning the power tool on.** A wrench or a key left attached to a rotating part of the power tool may result in personal injury.
- e. **Do not overreach. Keep proper footing and balance at all times.** This enables better control of the power tool in unexpected situations.
- f. **Dress properly. Do not wear loose clothing or jewellery. Keep your hair and clothing away from moving parts.** Loose clothes, jewellery or long hair can be caught in moving parts.
- g. **If devices are provided for the connection of dust extraction and collection facilities, ensure these are connected and properly used.** Use of dust collection can reduce dust-related hazards.
- h. **Do not let familiarity gained from frequent use of tools allow you to become complacent and ignore tool safety principles.** A careless action can cause severe injury within a fraction of a second.

4. Power tool use and care

- a. **Do not force the power tool. Use the correct power tool for your application.**
The correct power tool will do the job better and safer at the rate for which it was designed.
- b. **Do not use the power tool if the switch does not turn it on and off.** Any power tool that cannot be controlled with the switch is dangerous and must be repaired.
- c. **Disconnect the plug from the power source and/or remove the battery pack, if detachable, from the power tool before making any adjustments, changing accessories, or storing power tools.** Such preventive safety measures reduce the risk of starting the power tool accidentally.

- d. **Store idle power tools out of the reach of children and do not allow persons unfamiliar with the power tool or these instructions to operate the power tool.** Power tools are dangerous in the hands of untrained users.
- e. **Maintain power tools and accessories. Check for misalignment or binding of moving parts, breakage of parts and any other condition that may affect the power tools operation. If damaged, have the power tool repaired before use.** Many accidents are caused by poorly maintained power tools.
- f. **Keep cutting tools sharp and clean.** Properly maintained cutting tools with sharp cutting edges are less likely to bind and are easier to control.
- g. **Use the power tool, accessories and tool bits etc. in accordance with these instructions, taking into account the working conditions and the work to be performed.** Use of the power tool for operations different from those intended could result in a hazardous situation.
- h. **Keep handles and grasping surfaces dry, clean and free from oil and grease.** Slippery handles and grasping surfaces do not allow for safe handling and control of the tool in unexpected situations.
5. **Battery tool use and care (only used for battery tools)**
- a. **Recharge only with the charger specified by the manufacturer.** A charger that is suitable for one type of battery pack may create a risk of fire when used with another battery pack.
- b. **Use power tools only with specifically designated battery packs.** Use of any other battery packs may create a risk of injury and fire.
- c. **When battery pack is not in use, keep it away from other metal objects, like paper clips, coins, keys, nails, screws, or other small metal objects, that can make a connection from one terminal to another.** Shorting the battery terminals together may cause burns or a fire.
- d. **Under abusive conditions, liquid may be ejected from the battery; avoid contact. If contact accidentally occurs, flush with water. If liquid contacts eyes, additionally seek medical help.** Liquid ejected from the battery may cause irritation or burns.
- e. **Do not use a battery pack or tool that is damaged or modified.** Damaged or modified batteries may exhibit unpredictable behaviour resulting in fire, explosion or risk of injury.
- f. **Do not expose a battery pack or tool to fire or excessive temperature.** Exposure to fire or temperature above 130 °C may cause explosion.
NOTE: The temperature „130 °C“ can be replaced by the temperature „265 °F“.
- g. **Follow all charging instructions and do not charge the battery pack or tool outside the temperature range specified in the instructions.** Charging improperly or at temperatures outside the specified range may damage the battery and increase the risk of fire.
6. **Service**
- a. **Have your power tool serviced by a qualified repair person using only identical replacement parts.** This will ensure that the safety of the power tool is maintained.
- b. **Never service damaged battery packs.** Service of battery packs should only be performed by the manufacturer or authorized service providers (only used for battery tools).
- Additional power tool safety warnings**
-  **Warning!** Additional safety warnings for drills
- **Use auxiliary handles supplied with the tool.** Loss of control can cause personal injury.
 - **Hold power tool by insulated gripping surfaces when performing an operation where the cutting accessory may contact hidden wiring.** Cutting accessory contacting a “live” wire may make exposed metal parts of the power tool “live” and could give the operator an electric shock.
 - **Brace the tool properly before use.** This tool produces a high output torque and without properly bracing the tool during operation, loss of control may occur resulting in personal injury.
 - **Hold power tool by insulated gripping surfaces, when performing an operation where the fastener may contact hidden wiring.** Fasteners contacting a “live” wire may make exposed metal parts of the power tool “live” and could give the operator an electric shock.
 - **Use clamps or another practical way to secure and support the workpiece to a stable platform.** Holding the workpiece by hand or against your body leaves it unstable and may lead to loss of control.
 - Before drilling into walls, floors or ceilings, check for the location of wiring and pipes.
 - Avoid touching the tip of a drill bit just after drilling, as it may be hot.
 - The intended use is described in this instruction manual. The use of any accessory or attachment or performance of any operation with this tool other than those recommended in this instruction manual may present a risk of personal injury and/or damage to property.
- Safety instructions when using long drill bits**
- **Never operate at higher speed than the maximum speed rating of the drill bit.** At higher speeds, the bit is likely to bend if allowed to rotate freely without contacting the workpiece, resulting in personal injury.

- **Always start drilling at low speed and with the bit tip in contact with the workpiece.** At higher speeds, the bit is likely to bend if allowed to rotate freely without contacting the workpiece, resulting in personal injury.
- **Apply pressure only in direct line with the bit and do not apply excessive pressure.** Bits can bend causing breakage or loss of control, resulting in personal injury.

Safety of others

- This tool is not intended for use by persons (including children) with reduced physical, sensory or mental capabilities, or lack of experience and knowledge, unless they have been given supervision or instruction concerning use of the tool by a person responsible for their safety.
- Children should be supervised to ensure that they do not play with the appliance.

Residual risks

Additional residual risks may arise when using the tool which may not be included in the enclosed safety warnings. These risks can arise from misuse, prolonged use etc.

Even with the application of the relevant safety regulations and the implementation of safety devices, certain residual risks can not be avoided. These include:

- Injuries caused by touching any rotating/moving parts.
- Injuries caused when changing any parts, blades or accessories.
- Injuries caused by prolonged use of a tool. When using any tool for prolonged periods ensure you take regular breaks.
- Impairment of hearing.
- Health hazards caused by breathing dust developed when using your tool (example:- working with wood, especially oak, beech and MDF.)

Vibration

The declared vibration emission values stated in the technical data and the declaration of conformity have been measured in accordance with a standard test method provided by EN 60745 and may be used for comparing one tool with another. The declared vibration emission value may also be used in a preliminary assessment of exposure.

Warning! The vibration emission value during actual use of the power tool can differ from the declared value depending on the ways in which the tool is used. The vibration level may increase above the level stated.

When assessing vibration exposure to determine safety measures required by 2002/44/EC to protect persons regularly using power tools in employment, an estimation of vibration exposure should consider, the actual conditions of use and the way the tool is used, including taking account of all parts of the operating cycle such as the times when the tool is switched off and when it is running idle in addition to the trigger time.

Labels on tool

The following symbols are shown on the tool along with the date code:



Warning! To reduce the risk of injury, the user must read the instruction manual.

Additional safety instructions for batteries and chargers (Not provided with the tool)

Batteries

- Never attempt to open for any reason.
- Do not expose the battery to water.
- Do not store in locations where the temperature may exceed 40 °C.
- Charge only at ambient temperatures between 10 °C and 40 °C.
- Charge only using the charger provided with the tool.
- When disposing of batteries, follow the instructions given in the section "Protecting the environment".



Do not attempt to charge damaged batteries.

Chargers

- Use your BLACK+DECKER charger only to charge the battery in the tool with which it was supplied. Other batteries could burst, causing personal injury and damage.
- Never attempt to charge non-rechargeable batteries.
- Have defective cords replaced immediately.
- Do not expose the charger to water.
- Do not open the charger.
- Do not probe the charger.



The charger is intended for indoor use only.



Read the instruction manual before use.

Electrical safety



Your charger is double insulated; therefore no earth wire is required. Always check that the mains voltage corresponds to the voltage on the rating plate. Never attempt to replace the charger unit with a regular mains plug.

- If the supply cord is damaged, it must be replaced by the manufacturer or an authorised BLACK+DECKER Service Centre in order to avoid a hazard.

Features

This tool includes some or all of the following features.

1. Variable speed switch
2. Forward/reverse slider
3. Torque adjustment collar
4. Keyless chuck
5. Dual range gearing
6. Battery (x2 with BCD700S2S)

7. Battery release button
8. Screwdriver bit holder

Assembly

Use

Warning! Let the tool work at its own pace. Do not overload.

Charging the battery (fig. A)

The battery needs to be charged before first use and whenever it fails to produce sufficient power on jobs that were easily done before. The battery may become warm while charging; this is normal and does not indicate a problem.

Warning! Do not charge the battery at ambient temperatures below 10 °C or above 40 °C. Recommended charging temperature: approx. 24 °C.

Note: The charger will not charge a battery if the cell temperature is below approximately 10 °C or above 40 °C. The battery should be left in the charger and the charger will begin to charge automatically when the cell temperature warms up or cools down.

- Plug the charger into any standard 230 Volts 50 Hz electrical outlet.
- Slide the battery pack into the charger as shown in fig. A.
- The green LED will flash indicating that the battery is being charged.
- The completion of charge is indicated by the green LED remaining on continuously. The pack is fully charged and may be used at this time or left on the charger.

Warning! fire Hazard. When disconnecting the charger from the tool, be sure to unplug the charger from the outlet first, then disconnect the charger cord from the tool.

Installing and removing the battery pack from the tool (fig. B)

Warning! Make certain the lock-off button is engaged to prevent switch actuation before removing or installing battery. To install battery pack:

- Insert battery pack into tool, until an audible click is heard (fig. B).

Removing the battery pack from the tool (fig. C)

- Depress the battery release button as shown in (fig. C) and pull battery pack out of tool.

Operating Instructions

Trigger switch & reversing button

- The drill is turned ON and OFF by pulling and releasing the trigger switch (1). The farther the trigger is depressed, the higher the speed of the drill.
- A forward/reverse control button (2) determines the direction of the tool and also serves as a lock off button.
- To select forward rotation, release the trigger switch and depress the forward/reverse control button to the left.
- To select reverse, depress the forward/reverse control button the opposite direction.

Note: The center position of the control button locks the tool in the off position. When changing the position of the control button, be sure the trigger is released.

Torque control (fig. D)

This tool is fitted with a torque adjustment collar (3) to select the operating mode and to set the torque for tightening screws. Large screws and hard workpiece materials require a higher torque setting than small screws and soft workpiece materials.

- For drilling in wood, metal and plastics, set the collar to the drilling position symbol
- For screwdriving, set the collar to the desired setting. If you do not yet know the appropriate setting, proceed as follows:
 - Set the collar to the lowest torque setting.
 - Tighten the first screw.
 - If the clutch ratchets before the desired result is achieved, increase the collar setting and continue tightening the screw. Repeat until you reach the correct setting. Use this setting for the remaining screws.

Keyless chuck (fig. E)

Warning! Make certain the lock-off button is engaged to prevent switch actuation before installing or removing accessories.

To insert a drill bit or other accessory:

- Grasp the rear half of the chuck (4) with one hand and use your other hand to rotate the front half in the counterclockwise direction, as viewed from the chuck end.
- Insert the bit or other accessory fully into the chuck, and tighten securely by holding the rear half of the chuck and rotating the front portion in the clockwise direction as viewed from the chuck end.

Warning! Do not attempt to tighten drill bits (or any other accessory) by gripping the front part of the chuck and turning the tool on. Damage to the chuck and personal injury may occur when changing accessories.

Dual range gearing (Figure F)

The dual range feature of your drill allows you to shift gears for greater versatility. To select low speed, high torque setting (position 1), turn tool off and permit to stop. Slide gear shifter button (5) away from the chuck. To select the high speed, low torque setting (position 2), turn tool off and permit to stop. Slide gear shifter button towards the chuck.

Note: Do not change gears when tool is running. If you are having trouble changing gears, make sure that the dual range gear button is either completely pushed forward or completely pushed back.

Drilling/screwdriving

- Select forward or reverse rotation using the forward/reverse slider (2).
- To switch the tool on, press the switch (1). The tool speed depends on how far you press the switch.
- To switch the tool off, release the switch.

Hints for optimum use

Drilling

- Use sharp drill bits only.
- Support and secure work properly, as instructed in the Safety Instructions.

- Use appropriate and required safety equipment, as instructed in the Safety Instructions.
- Secure and maintain work area, as instructed in the Safety Instructions.
- Run the drill very slowly, using light pressure, until the hole is started enough to keep the drill bit from slipping out of it.
- Apply pressure in a straight line with the bit. Use enough pressure to keep the bit biting but not so much as to stall the motor or deflect the bit.
- Hold the drill firmly with two hands to control its twisting action.
- DO NOT CLICK THE TRIGGER OF A STALLED DRILL OFF AND ON IN AN ATTEMPT TO START IT. DAMAGE TO THE DRILL CAN RESULT.
- Minimize stalling on breakthrough by reducing pressure and slowly drilling through the last part of the hole.
- Keep the motor running while pulling the bit out of a drilled hole. This will help reduce jamming.
- Make sure switch turns drill on and off.

Drilling in wood

Holes in wood can be made with the same twist drill bits used for metal or with spade bits. These bits should be sharp and should be pulled out frequently when drilling to clear chips from the flutes.

Drilling in metal

Use a cutting lubricant when drilling metals. The exceptions are cast iron and brass which should be drilled dry. The cutting lubricants that work best are sulfurized cutting oil or lard oil.

Drilling in masonry

For drilling in masonry, set the collar (3) to the hammer drilling position by aligning the symbol with the marking. Slide the speed selector (5) towards the front of the tool (2nd gear).

Screwdriving

- Always use the correct type and size of screwdriver bit.
- If screws are difficult to tighten, try applying a small amount of washing liquid or soap as a lubricant.
- Always hold the tool and screwdriver bit in a straight line with the screw

Troubleshooting

Problem	Possible cause	Possible solution
Unit will not start.	Battery pack not charged.	Check battery pack charging requirements
Battery pack will not charge.	Charger not plugged in. Surrounding air temperature too hot or too cold.	Plug charger into a working outlet. Move charger and battery pack to a surrounding air temperature of above 40 degrees F (45°C) or below 105 degrees F (+40.5°C)

Problem	Possible cause	Possible solution
Unit shuts off abruptly.	Battery pack has reached its maximum thermal limit. Out of charge. (To maximize the life of the battery pack it is designed to shutoff abruptly when the charge is depleted)	Allow battery pack to cool down. Place on charger and allow to charge.

Maintenance

Your BLACK+DECKER tool has been designed to operate over a long period of time with a minimum of maintenance. Continuous satisfactory operation depends upon proper tool care and regular cleaning.

Your charger does not require any maintenance apart from regular cleaning.



Warning! Before performing any maintenance on the tool, remove the battery from the tool. Unplug the charger before cleaning it.

- Regularly clean the ventilation slots in your tool and charger using a soft brush or dry cloth.
- Regularly clean the motor housing using a damp cloth. Do not use any abrasive or solvent-based cleaner.
- Regularly open the chuck and tap it to remove any dust from the interior.

Protecting the environment



Separate collection. Products and batteries marked with this symbol must not be disposed of with normal household waste.

Products and batteries contain materials that can be recovered or recycled, reducing demand for raw materials. Please recycle electrical products and batteries according to local provisions. Further information is available at www.2helpU.com

Technical data

		BCD700S
Voltage	V _{ac}	18
No-load speed	Min ⁻¹	0-360/0-1400
Max. torque	Nm	17.5/40
Chuck capacity	mm	1-10
Max Drilling capacity		
Steel/wood/Masonry	mm	10/25/10
Weight	kg	0.90 (with battery 1.30)

		906214**
Charger		
Input voltage	V _{ac}	230
Output voltage	V _{ac}	18

EC declaration of conformity

MACHINERY DIRECTIVE



BCD700S - Impact Drill

Black & Decker declares that these products described under "technical data" are in compliance with:
2006/42/EC, EN 60745-1:1010, EN 60745-2-1:2010

These products also comply with Directive 2004/30/EU and 2011/65/EU. For more information, please contact Black & Decker at the following address or refer to the back of the manual.

The undersigned is responsible for compilation of the technical file and makes this declaration on behalf of Black & Decker.

R. Laverick
Engineering Manager
Black & Decker Europe, 270 Bath Road, Slough,
Berkshire, SL1 4DX
United Kingdom
19/05/2020

Guarantee

Black & Decker is confident of the quality of its products and offers consumers a 24 month guarantee from the date of purchase. This guarantee is in addition to and in no way prejudices your statutory rights. The guarantee is valid within the territories of the Member States of the European Union and the European Free Trade Area.

To claim on the guarantee, the claim must be in accordance with Black & Decker Terms and Conditions and you will need to submit proof of purchase to the seller or an authorised repair agent.

Terms and conditions of the Black & Decker 2 year guarantee and the location of your nearest authorised repair agent can be obtained on the Internet at www.2helpU.com, or by contacting your local Black & Decker office at the address indicated in this manual.

Please visit our website www.blackanddecker.co.uk to register your new Black & Decker product and receive updates on new products and special offers.

Charger		906214**
Current	mA	200
Approx. charge time	Hours	8

Charger		905902** / N4940**
Input voltage	V _{ac}	230
Output voltage	V _{dc}	18
Current	mA	400
Approx. charge time	Hours	4

Charger		905998**
Input voltage	V _{ac}	230
Output voltage	V _{dc}	18
Current	Amp	1
Approx. charge time	Hours	1.5

Battery		BL1518
Voltage	V _{ac}	18
Capacity	Ah	1.5
Type		Li-Ion

Battery		BL2018
Voltage	V _{ac}	18
Capacity	Ah	2.0
Type		Li-Ion

Battery		BL4018
Voltage	V _{ac}	18
Capacity	Ah	4.0
Type		Li-Ion

Level of sound pressure according to EN 60745:	
Sound pressure (L _w)	88.7 dB(A), uncertainty (K) 3 dB(A)
Sound power (L _{wa})	99.7 dB(A), uncertainty (K) 3 dB(A)

Vibration total values (triax vector sum) according to EN 60745:	
Impact drilling int concrete (a _{h,ip})	14.4 m/s ² , uncertainty (K) 1.5 m/s ²
Drilling into metal (a _{h,m})	<2.5 m/s ² , uncertainty (K) 1.5 m/s ²
Screwdriving without impact (a _h)	<2.5 m/s ² , uncertainty (K) 1.5 m/s ²

Verwendungszweck

Ihr BLACK+DECKER BCD700S-Schlagbohrmaschine ist für Schraub- und Bohrarbeiten in Holz, Metall und Mauerwerk ausgelegt. Dieses Gerät ist nicht für den gewerblichen Einsatz vorgesehen.

Sicherheitshinweise

Allgemeine Sicherheitswarnungen für das Gerät



Warnung! Beachten Sie alle Sicherheitshinweise, Anweisungen, Darstellungen und Daten, die Sie mit dem Gerät erhalten. Wenn Sie die folgenden Anweisungen nicht beachten, kann es zu elektrischem Schlag, Feuer und/oder schweren Verletzungen kommen.

Bewahren Sie alle Warnhinweise und alle Anweisungen gut auf. Der nachfolgend verwendete Begriff „Gerät“ oder „Elektrowerkzeug“ bezieht sich auf netzbetriebene Geräte (mit Netzkabel) und auf akkubetriebene Geräte (ohne Netzkabel).

1. Sicherheit im Arbeitsbereich

- Halten Sie den Arbeitsbereich sauber und gut ausgeleuchtet.** Unaufgeräumte oder dunkle Bereiche begünstigen Unfälle.
- Betreiben Sie Elektrowerkzeuge nicht in explosionsgefährdeten Umgebungen, in denen sich z. B. brennbare Flüssigkeiten, Gase oder Staub befinden.** Elektrowerkzeuge erzeugen Funken, die den Staub oder die Dämpfe entzünden können.
- Halten Sie Kinder und Zuschauer fern, während Sie ein Elektrogerät betreiben.** Ablenkung kann dazu führen, dass Sie die Kontrolle über das Gerät verlieren.

2. Elektrische Sicherheit

- Der Stecker des Elektrogerätes muss in die Steckdose passen. Ändern Sie niemals den Stecker in irgendeiner Form. Verwenden Sie keinerlei Adapterstecker an geerdeten Elektrogeräten.** Unveränderte Stecker und passende Steckdosen mindern die Gefahr eines elektrischen Schlages.
- Vermeiden Sie Körperkontakt mit geerdeten Flächen, wie Rohre, Radiatoren, Herde und Kühlgeräte.** Es besteht eine erhöhte Gefahr für einen elektrischen Schlag, wenn Ihr Körper geerdet ist.
- Setzen Sie Elektrogeräte keinem Regen oder feuchter Umgebung aus.** Wenn Wasser in das Elektrogerät eindringt, erhöht sich die Gefahr eines elektrischen Schlages.
- Behandeln Sie das Kabel sorgfältig. Verwenden Sie niemals das Kabel, um das Elektrogerät zu tragen oder durch Ziehen vom Netz zu trennen. Halten Sie das Kabel fern von Hitze, Öl, scharfen Kanten oder beweglichen Teilen.** Beschädigte oder verhedderte Kabel erhöhen die Gefahr eines elektrischen Schlages.

- Wenn Sie ein Elektrogerät im Freien betreiben, verwenden Sie ein für den Außeneinsatz geeignetes Verlängerungskabel.** Die Verwendung von für den Außeneinsatz geeigneten Kabeln mindert die Gefahr eines elektrischen Schlages.
- Wenn der Betrieb eines Elektrogerätes in feuchter Umgebung unumgänglich ist, verwenden Sie eine durch einen Fehlerstromschutzschalter (FI-Schalter oder RCD) geschützte Stromversorgung.** Der Einsatz eines Fehlerstromschutzschalters mindert die Gefahr eines elektrischen Schlages.

3. Sicherheit von Personen

- Seien Sie aufmerksam, achten Sie darauf, was Sie tun, und gehen Sie mit Vernunft an die Arbeit mit einem Elektrowerkzeug. Benutzen Sie kein Gerät, wenn Sie müde sind oder unter dem Einfluss von Drogen, Alkohol oder Medikamenten stehen.** Ein Moment der Unachtsamkeit beim Betrieb eines Elektrogerätes kann zu schweren Verletzungen führen.
- Tragen Sie persönliche Schutzausrüstung. Tragen Sie immer einen Augenschutz.** Das Tragen persönlicher Schutzausrüstung, wie Staubmaske, rutschfeste Sicherheitsschuhe, Schutzhelm oder Gehörschutz, je nach Art und Einsatz des Elektrowerkzeuges, verringert das Risiko von Verletzungen.
- Vermeiden Sie unbeabsichtigtes Starten. Vergewissern Sie sich, dass das Gerät ausgeschaltet ist, bevor Sie es an eine Steckdose oder einen Akku anschließen, es hochheben oder tragen.** Wenn Sie beim Tragen des Elektrowerkzeuges den Finger am Schalter haben oder das Gerät eingeschaltet an die Stromversorgung anschließen, kann dies zu Unfällen führen.
- Entfernen Sie alle Einstellschlüssel oder Werkzeuge, bevor Sie das Elektrogerät einschalten.** Werkzeuge oder Schlüssel, die an rotierenden Teilen des Elektrogerätes angebracht sind, können zu Verletzungen führen.
- Vermeiden Sie eine anormale Körperhaltung. Sorgen Sie für einen sicheren Stand und halten Sie jederzeit das Gleichgewicht.** Dadurch können Sie das Elektrowerkzeug in unerwarteten Situationen besser kontrollieren.
- Tragen Sie geeignete Kleidung. Tragen Sie keine weite Kleidung und keinen Schmuck. Halten Sie Ihre Haare und Kleidung von beweglichen Teilen fern.** Lose sitzende Kleidung, Schmuck oder lange Haare können sich in den beweglichen Teilen verfangen.
- Wenn Geräte für den Anschluss an eine Staubabsaugung und Staubsammlung vorgesehen sind, vergewissern Sie sich, dass diese richtig**

angeschlossen sind und verwendet werden. Der Einsatz von Staubsammlern kann staubbedingte Gefahren mindern.

- h. Vermeiden Sie, durch die häufige Nutzung des Werkzeugs in einen Trotz zu verfallen und Prinzipien für die Werkzeugsicherheit zu ignorieren.** Eine unachtsame Aktion kann im Bruchteil einer Sekunde zu schweren Verletzungen führen.

4. Gebrauch und Pflege von Geräten

- a. Überlasten Sie das Elektrogerät nicht. Verwenden Sie das für Ihre Arbeit passende Gerät.**

Das richtige Gerät wird die Aufgabe besser und sicherer erledigen, wenn es bestimmungsgemäß verwendet wird.

- b. Benutzen Sie kein Elektrowerkzeug, dessen Schalter defekt ist.** Ein Elektrowerkzeug, das sich nicht mehr ein- oder ausschalten lässt, ist gefährlich und muss repariert werden.

- c. Trennen Sie den Stecker vom Netz und/oder, falls abnehmbar, den Akku vom Elektrogerät, bevor Sie Einstellungen am Gerät vornehmen, Zubehör wechseln oder es aufbewahren.** Diese Vorbeugemaßnahmen mindern die Gefahr, dass das Elektrogerät unbeabsichtigt startet. Diese Vorbeugemaßnahmen mindern die Gefahr, dass das Elektrogerät unbeabsichtigt startet.

- d. Bewahren Sie nicht verwendete Elektrogeräte für Kinder unerreichbar auf und lassen Sie nicht zu, dass Personen ohne Erfahrung mit dem Elektrogerät oder mit diesen Anweisungen das Elektrogerät bedienen.** Elektrogeräte sind in den Händen nicht geschulter Personen gefährlich.

- e. Halten Sie das Gerät und sein Zubehör in einem einwandfreien Zustand. Kontrollieren Sie, ob bewegliche Teile falsch ausgerichtet sind oder klemmen und ob Teile gebrochen oder so beschädigt sind, dass die Funktion des Geräts beeinträchtigt ist. Bei Beschädigungen lassen Sie das Gerät reparieren, bevor Sie es verwenden.** Viele Unfälle entstehen wegen mangelnder Wartung der Elektrogeräte.

- f. Halten Sie Schneidwerkzeuge scharf und sauber.** Richtig gewartete Schneidwerkzeuge mit scharfen Klingen blockieren seltener und sind leichter unter Kontrolle zu halten.

- g. Verwenden Sie Elektrogeräte, Zubehör und Einsätze (Bits) usw. gemäß diesen Anweisungen und unter Berücksichtigung der Arbeitsbedingungen und der Aufgabe.** Wenn Sie das Elektrogerät für Aufgaben verwenden, die nicht bestimmungsgemäß sind, kann dies zu gefährlichen Situationen führen.

- h. Halten Sie Griffe und Griffflächen trocken, sauber und frei von Öl und Fett.** Rutschige Griffe und Oberflächen unterbinden die sichere Bedienbarkeit

und Kontrolle über das Werkzeug in unerwarteten Situationen.

5. Gebrauch und Pflege von Akkuwerkzeugen (nur für Akkuwerkzeuge verwenden)

- a. Laden Sie die Akkus nur in Ladegeräten auf, die vom Hersteller angegeben wurden.** Für ein Ladegerät, das nur für eine bestimmte Akkuart geeignet ist, besteht Brandgefahr, wenn es mit anderen Akkus verwendet wird.
- b. Verwenden Sie nur die für das jeweilige Gerät vorgesehenen Akkus.** Die Verwendung anderer Akkus kann zu Verletzungen oder Bränden führen.
- c. Bewahren Sie den Akku bei Nichtbenutzung nicht in der Nähe metallischer Objekte wie Büroklammern, Münzen, Schlüsseln, Nägeln oder Schrauben auf, da diese eine Verbindung zwischen beiden Polen des Akkus herstellen können.** Durch den dadurch entstehenden Kurzschluss kann der Akku in Brand geraten.
- d. Bei falscher Anwendung kann Flüssigkeit aus dem Akku austreten. Vermeiden Sie den Kontakt damit. Bei unbeabsichtigtem Kontakt mit Wasser abspülen. Gelangt die Flüssigkeit in die Augen, ziehen Sie außerdem ärztliche Hilfe hinzu.** Austretende Akkufflüssigkeit kann zu Hautreizungen oder Verbrennungen führen.
- e. Verwenden Sie keine Akkus oder Werkzeuge, die beschädigt sind oder modifiziert wurden.** Beschädigte oder modifizierte Akkus können sich unvorhersehbar verhalten und stellen ein Risiko von Feuer, Explosionen oder Verletzungen dar.
- f. Setzen Sie Akkus und Werkzeuge keinem Feuer oder extremen Temperaturen aus.** Die Belastung durch Feuer oder Temperaturen über 130 °C kann zur Explosion führen. HINWEIS: Die Temperaturangabe „130 °C“ kann durch die Temperaturangabe „265 °F“ ersetzt werden.
- g. Befolgen Sie alle Anweisungen zum Aufladen und laden Sie den Akku oder das Werkzeug nicht jenseits des in der Anleitung angegebenen Temperaturbereichs auf.** Das falsche Aufladen oder das Aufladen bei Temperaturen jenseits des angegebenen Bereichs kann den Akku beschädigen und das Brandrisiko erhöhen.
- #### 6. Service
- a. Lassen Sie Ihr Elektrowerkzeug nur von qualifiziertem Fachpersonal und nur mit Original-Ersatzteilen reparieren.** Damit wird sichergestellt, dass die Sicherheit des Gerätes erhalten bleibt.
- b. Führen Sie an beschädigten Akkus niemals Wartungsarbeiten durch.** Die Wartung von Akkus darf nur vom Hersteller oder von autorisierten Dienstleistern durchgeführt werden (nur für Akkuwerkzeuge verwenden).

Zusätzliche Sicherheitswarnungen für das Gerät



Warnung! Zusätzliche Sicherheitswarnungen für Bohrmaschinen

- **Verwenden Sie die mitgelieferten Zusatzgriffe.** Der Verlust der Kontrolle kann Verletzungen verursachen.
- **Halten Sie das Gerät an den isolierten Griffflächen fest, wenn Sie Arbeiten ausführen, bei denen verdeckte Kabel durch Werkzeuge beschädigt werden könnten.** Der Kontakt mit stromführenden Leitungen kann auch offen liegende Metallteile am Gerät unter Strom setzen und zu einem Stromschlag führen.
- **Spannen Sie das Werkzeug vor Gebrauch richtig fest.** Dieses Werkzeug erzeugt ein hohes Ausgangsdrehmoment. Wenn das Werkzeug während des Betriebs nicht ordnungsgemäß festgespannt ist, kann es zu einem Kontrollverlust und dadurch zu Verletzungen kommen.
- **Halten Sie das Gerät an den isolierten Griffflächen fest, wenn Sie Arbeiten ausführen, bei denen verdeckte Kabel beschädigt werden könnten.** Der Kontakt mit stromführenden Leitungen kann auch offen liegende Metallteile am Gerät unter Strom setzen und zu einem Stromschlag führen.
- **Sichern Sie das Werkstück zum Beispiel mit Einspannvorrichtungen auf einer stabilen Plattform.** Das Werkstück ist instabil, wenn es mit der Hand oder dem Körper abgestützt wird, was zum Verlust der Kontrolle führen kann.
- Prüfen Sie vor dem Bohren in Wände, Fußböden oder Decken diese Stellen auf dahinterliegende Kabel oder Rohre.
- Berühren Sie die Spitze des Bohreinsatzes nicht unmittelbar nach dem Bohren, da diese heiß sein kann.
- Die bestimmungsgemäße Verwendung ist in dieser Betriebsanleitung beschrieben. Die Verwendung von Zubehör- oder Anbauteilen, die nicht in dieser Anleitung empfohlen werden, sowie die Bedienung des Geräts in Abweichung von den in dieser Anleitung beschriebenen Verfahren können zu Verletzungen und/oder Sachschäden führen.

Sicherheitshinweise bei Verwendung langer Bohrerbits

- **Niemals mit einer höheren Drehzahl als der maximalen Drehzahl des Bohrers arbeiten.** Bei höheren Drehzahlen kann sich der Bohrer leicht verbiegen, wenn er sich frei drehen kann, ohne das Werkstück zu berühren, was zu Verletzungen führen kann.
- **Beginnen Sie beim Bohren immer mit niedriger Drehzahl und so, dass die Bohrer Spitze in Kontakt mit dem Werkstück ist.** Bei höheren Drehzahlen kann sich der Bohrer leicht verbiegen, wenn er sich frei drehen kann, ohne das Werkstück zu berühren, was zu Verletzungen führen kann.

- **Üben Sie Druck nur in direkter Linie mit dem Bohrerbit aus und üben Sie keinen übermäßigen Druck aus.** Bits können sich verbiegen, was zu einem Bruch oder Kontrollverlust und dadurch zu Verletzungen führen kann.

Sicherheit anderer Personen

- Dieses Gerät darf nicht von Personen (einschließlich Kindern) mit eingeschränkten körperlichen, sensorischen oder geistigen Fähigkeiten oder mangelnder Erfahrung und Wissen in Bezug auf dessen Gebrauch bedient werden, es sei denn, sie werden bei der Verwendung des Werkzeugs von einer erfahrenen Person beaufsichtigt oder angeleitet.
- Kinder müssen beaufsichtigt werden, um sicherzustellen, dass sie nicht mit dem Gerät spielen.

Restrisiken

Beim Gebrauch dieses Geräts verbleiben zusätzliche Restrisiken, die möglicherweise nicht in den Sicherheitswarnungen genannt werden. Diese Risiken bestehen beispielsweise bei Missbrauch oder längerem Gebrauch. Auch bei der Einhaltung der entsprechenden Sicherheitsvorschriften und der Verwendung aller Sicherheitsgeräte bestehen weiterhin bestimmte Restrisiken. Diese sind:

- Verletzungen, die durch das Berühren von sich drehenden/bewegenden Teilen verursacht werden.
- Verletzungen, die durch das Austauschen von Teilen, Sägeblättern oder Zubehör verursacht werden.
- Verletzungen, die durch längeren Gebrauch eines Geräts verursacht werden. Legen Sie bei längerem Gebrauch regelmäßige Pausen ein.
- Schwerhörigkeit.
- Gesundheitsrisiken durch das Einatmen von Staub bei Verwendung des Geräts (z. B. bei Holzarbeiten, insbesondere Eiche, Buche und Pressspan).

Vibration

Die in den Abschnitten "Technische Daten" und "EU-Konformitätserklärung" angegebenen Werte für die Vibrationsemission wurden mit einer Standard-Prüfmethode nach EN 60745 ermittelt und können zum Vergleich verschiedener Geräte herangezogen werden. Außerdem kann mit Hilfe dieses Werts die Belastung bei Verwendung des Geräts schon im Voraus eingeschätzt werden.

Warnung! Die bei Verwendung des Geräts auftretende Vibrationsemission hängt von der Art des Gerätegebrauchs ab und kann dementsprechend von dem angegebenen Wert abweichen. Gegebenenfalls kann die Vibration über dem angegebenen Wert liegen.

Für die Ermittlung der Vibrationsbelastung müssen die tatsächlichen Einsatzbedingungen und Verwendungen des Geräts während des gesamten Arbeitsgangs berücksichtigt werden, einschließlich der Zeiten, wenn das Gerät nicht verwendet oder im Leerlauf betrieben wird. Diese Werte werden benötigt, um die gemäß 2002/44/EG erforderlichen

Sicherheitsmaßnahmen zum Schutz von Personen festlegen zu können.

Etiketten am Werkzeug

Am Gerät sind die folgenden Warnsymbole inkl. Datumscode angebracht:



Warnung! Lesen Sie vor Gebrauch die Anleitung. Andernfalls besteht Verletzungsgefahr.

Zusätzliche Sicherheitshinweise für Akku und Ladegeräte (nicht im Lieferumfang enthalten)

Akkus

- Keinesfalls versuchen, den Akku zu öffnen.
- Achten Sie darauf, dass der Akku nicht mit Wasser in Berührung kommt.
- Nicht bei Temperaturen über 40 °C lagern.
- Laden Sie den Akku nur bei Umgebungstemperaturen von 10 °C bis 40 °C auf.
- Verwenden Sie ausschließlich das mitgelieferte Ladegerät.
- Beachten Sie bei der Entsorgung von Batterien und Akkus die Hinweise im Abschnitt „Umweltschutz“.



Versuchen Sie nie, beschädigte Akkus aufzuladen.

Ladegeräte

- Verwenden Sie das BLACK+DECKER Ladegerät nur für den Akku des Werkzeugs, mit dem es geliefert wurde. Andere Akkus können platzen und Sachschäden oder Verletzungen verursachen.
- Versuchen Sie keinesfalls, nicht aufladbare Batterien zu laden.
- Lassen Sie beschädigte Kabel sofort austauschen.
- Achten Sie darauf, dass das Ladegerät nicht mit Wasser in Berührung kommt.
- Versuchen Sie nicht, das Ladegerät zu öffnen.
- Nehmen Sie am Ladegerät keine Veränderungen vor.



Das Ladegerät darf nur im Innenbereich verwendet werden.



Vor Gebrauch die Anleitung lesen.

Elektrische Sicherheit



Das Ladegerät ist schutzisoliert, daher ist keine Erdleitung erforderlich. Stellen Sie sicher, dass die Netzspannung der auf dem Typenschild des Geräts angegebenen Spannung entspricht. Ersetzen Sie das Ladegerät keinesfalls durch ein normales Netzkabel.

- Bei einer Beschädigung des Netzkabels muss dieses durch den Hersteller oder eine BLACK+DECKER Vertragswerkstatt ausgetauscht werden, um mögliche Gefahren zu vermeiden.

Merkmale

Dieses Gerät verfügt über einige oder alle der folgenden

Merkmale:

1. Drehzahl-Regelschalter
2. Vor-/Zurück-Wahlschalter
3. Drehmomenteinstellung
4. Schnellspannfutter
5. Dualgetriebe
6. Akku (x2 bei BCD700S2S)
7. Akku-Löseknöpfe
8. Schraubendreher-Bithalter

Montage

Verwendung

Warnung! Beschleunigen Sie den Arbeitsvorgang nicht mit Gewalt. Vermeiden Sie eine Überlastung.

Laden des Akkus (Abb. A)

Der Akku muss vor der erstmaligen Benutzung sowie immer dann aufgeladen werden, wenn das Gerät nicht mehr mit voller Leistung arbeitet. Der Akku kann sich während des Aufladens erwärmen. Das ist normal und deutet nicht auf ein Problem hin.

Warnung! Laden Sie den Akku nicht, wenn die Umgebungstemperatur unter 10 °C oder über 40 °C liegt. Empfohlene Ladetemperatur: ca. 24 °C.

Hinweis: Ein Akku, bei dem die Temperatur der Akkuzellen unter ca. 10 °C oder über 40 °C liegt, wird vom Ladegerät nicht geladen.

Lassen Sie in diesem Fall den Akku im Ladegerät. Das Ladegerät beginnt automatisch mit dem Ladevorgang, sobald sich die Zellen erwärmt bzw. abgekühlt haben.

- Stecken Sie das Ladegerät in eine Standardsteckdose mit 230 Volt, 50 Hz.
- Schieben Sie den Akku wie in Abb. A gezeigt in das Ladegerät ein.
- Die grüne LED blinkt, wenn der Akku geladen wird.
- Der Abschluss des Ladevorgangs wird dadurch angezeigt, dass die grüne LED dauerhaft leuchtet. Der Akku ist vollständig aufgeladen und kann jetzt verwendet oder in der Ladestation gelassen werden.

Warnung! Brandgefahr. Wenn Sie das Ladegerät vom Werkzeug trennen, müssen Sie das Ladegerät zuerst aus der Steckdose ziehen und dann das Kabel des Ladegeräts vom Werkzeug trennen.

Anbringen und Entfernen des Akkus (Abb. B)

Warnung! Der Verriegelungsknopf muss eingerastet sein, damit keine unbeabsichtigte Bedienung des Ein-/Aus-Schalters vor dem Anbringen bzw. Entfernen des Akkus erfolgen kann.

Anbringen des Akkus:

- Setzen Sie den Akku in das Werkzeug ein, bis ein Klicken zu hören ist (Abb. B)

Entfernen des Akkus aus dem Werkzeuggriff (Abb. C)

- Drücken Sie den Akku-Löseknopf wie gezeigt (Abb. C) und ziehen Sie den Akku aus dem Werkzeug.

Betriebsanleitung

Auslöseschalter & Richtungswahlschalter

- Die Bohrmachine wird ein- und ausgeschaltet, indem der Auslöseschalter (1) gedrückt und wieder losgelassen wird. Je tiefer der Auslöseschalter gedrückt wird, umso höher ist die Drehzahl des Bohrers.
- Der Vor-/Zurück-Schaltknopf (2) bestimmt die Drehrichtung und fungiert zudem als Einschaltsperr.
- Für die Vorwärtsdrehung lassen Sie den Auslöseschalter los, und schieben Sie den Vor-/Zurück-Schaltknopf nach links.
- Um die Drehrichtung zu ändern, drücken Sie den Vor-/Zurück-Schaltknopf in die entgegengesetzte Richtung.

Hinweis: In der mittleren Stellung des Reglers ist das Werkzeug in der AUS-Stellung verriegelt. Achten Sie darauf, dass der Auslöseschalter entriegelt ist, wenn Sie diesen Regler verstellen.

Drehmomentregelung (Abb. D)

Dieses Gerät verfügt über eine Drehmomentvorwahl (3) zur Auswahl des Betriebsmodus und des Drehmoments zum Festziehen von Schrauben. Für große Schrauben und härtere Werkstücke muss ein größeres Drehmoment eingestellt werden als für kleine Schrauben und weiche Werkstücke.

- Um Bohrungen in Holz, Metall oder Kunststoff vorzunehmen, stellen Sie an der Drehmomentvorwahl das Symbol zum Bohren ein.
- Zum Ausführen von Schraubarbeiten stellen Sie an der Drehmomentvorwahl den gewünschten Wert ein. Sollten Ihnen die jeweils erforderlichen Einstellungen noch nicht bekannt sein, gehen Sie wie folgt vor:
 - Stellen Sie das niedrigste Drehmoment ein.
 - Ziehen Sie die erste Schraube fest.
 - Wenn die Kupplung vor der gewünschten Festigkeit der Schraubverbindung rattert, erhöhen Sie die Drehmenteinstellung und fahren Sie fort. Wiederholen Sie diesen Vorgang so lange, bis Sie die richtige Einstellung gefunden haben. Verwenden Sie diese Einstellung auch für die übrigen Schrauben.

Schnellspannbohrfutter (Abb. E)

Warnung! Der Verriegelungsknopf muss eingerastet sein, damit keine unbeabsichtigte Bedienung des Ein-/Aus-Schalters vor dem Entfernen bzw. Anbringen von Zubehör erfolgen kann.

So setzen Sie einen Bohreinsatz oder ein anderes Zubehörteil ein:

- Halten Sie die hintere Hälfte des Bohrfutters (4) mit einer Hand. Verwenden Sie die andere Hand, um die vordere Hälfte im Uhrzeigersinn zu drehen (vom Ende des Bohrfutters aus gesehen).
- Setzen Sie den Bohreinsatz oder ein anderes Zubehörteil ordnungsgemäß in das Bohrfutter ein, und ziehen Sie das Bohrfutter wieder fest, indem Sie die hintere Hälfte des Bohrfutters festhalten und den vorderen Teil im Uhrzeigersinn drehen (mit Blickrichtung vom Bohrfutter).

Warnung! Versuchen Sie niemals, Bohreinsätze oder andere Zubehörteile festzuziehen, indem Sie den vorderen Teil des Bohrfutters festhalten und das Gerät einschalten. Dabei kann

das Spannfutter beschädigt werden und es kann zu schweren Verletzungen kommen.

Zweigangetriebe (Abbildung F)

Das Zweigangetriebe an Ihrem Bohrer ermöglicht den Gangwechsel für eine größere Anpassungsfähigkeit.

Zur Auswahl der niedrigen Geschwindigkeit mit hohem Drehmoment (Position 1) schalten Sie das Gerät aus und lassen es auslaufen. Schieben Sie den Gangschalterknopf (5) zurück, d.h. vom Spannfutter weg. Zur Auswahl der hohen Geschwindigkeit mit niedrigem Drehmoment (Position 2) schalten Sie das Gerät aus und lassen es auslaufen. Schieben Sie den Gangschalterknopf nach vorne zum Spannfutter.

Hinweis: Ändern Sie nicht den Gang, während das Gerät sich dreht. Bei Problemen beim Gangwechsel prüfen Sie, dass der Zweigangetriebewähler entweder komplett nach vorne oder hinten geschoben ist.

Bohren/Schrauben

- Wählen Sie mithilfe des Vor-/Zurückwahlschalters (2) die Vorwärts- bzw. Rückwärtsdrehung aus.
- Drücken Sie zum Einschalten des Geräts den Schalter (1). Die Leistung des Geräts ist davon abhängig, wie tief Sie den Schalter hineindrücken.
- Lassen Sie zum Ausschalten des Geräts den Schalter los.

Hinweise für optimale Arbeitsergebnisse

Bohren

- Verwenden Sie nur scharfe Bohrerbits.
- Unterstützen und sichern Sie Werkstücke angemessen, wie in den Sicherheitshinweisen beschrieben.
- Verwenden Sie die richtige und erforderliche Sicherheitsausrüstung, wie in den Sicherheitshinweisen beschrieben.
- Sichern Sie den Arbeitsbereich und halten Sie ihn aufgeräumt, wie in den Sicherheitshinweisen beschrieben.
- Lassen Sie den Bohrer sehr langsam und nur mit leichtem Druck laufen, bis das Loch groß genug ist, dass der Bohreinsatz nicht mehr herausrutschen kann.
- Üben Sie nur parallel zum Bohreinsatz Druck aus. Der ausgeübte Druck darf nicht größer sein als für den Bohrvorgang erforderlich. Bei zu hohem Druck blockiert der Motor oder der Bohreinsatz wird beschädigt.
- Halten Sie das Gerät mit beiden Händen fest, damit Sie es besser führen können.
- WENN DER BOHRER BLOCKIERT IST, VERSUCHEN SIE NICHT, IHN DURCH WIEDERHOLTES BETÄTIGEN DES EIN-/AUSSCHALTERS WIEDER ZUM LAUFEN ZU BRINGEN. DER BOHREINSATZ KANN DADURCH BESCHÄDIGT WERDEN.
- Verringern Sie im letzten Teil des Bohrlochs den Druck und die Geschwindigkeit, um ein Blockieren beim Durchbohren zu vermeiden.
- Lassen Sie den Motor an, während Sie den Bohrer aus einem gebohrten Loch ziehen. Dadurch wird verhindert, dass der Bohreinsatz einklemmt.

- Stellen Sie sicher, dass sich der Bohrer über den Schalter ein- und ausschalten lässt.

Bohren in Holz

Holz kann entweder mit denselben Spiralbohrereinsätzen bearbeitet werden, die auch für Metall verwendet werden, oder mit Spitzbohrern. Die Bohreinsätze sollten spitz sein und regelmäßig entnommen werden, um das Gerät von Spänen zu säubern.

Bohren in Metall

Verwenden Sie beim Bohren in Metall ein Schneidöl. Ausnahmen sind Gusseisen und Messing, die trocken gebohrt werden müssen. Die besten Schmierstoffe sind schwefelhaltiges Schneidöl oder Schmalzöl.

Bohren in Mauerwerk

Stellen Sie zum Bohren in Mauerwerk die Drehmomentvorwahl (3) auf die Schlagbohrereinstellung, indem Sie das entsprechende Symbol an der Markierung ausrichten. Schieben Sie den Geschwindigkeitsregler (5) nach vorn (zweiter Gang).

Schraubarbeiten

- Verwenden Sie stets Schraubendrehereinsätze der richtigen Art und Größe.
- Sollten beim Festziehen von Schrauben Schwierigkeiten auftreten, verwenden Sie etwas Spülmittel oder Seife als Schmiermittel.
- Halten Sie das Gerät und den Schraubendrehereinsatz stets in gerader Linie zur Schraube.

Fehlerbehebung

Problem	Mögliche Ursache	Mögliche Lösung
Gerät startet nicht.	Akku nicht geladen.	Prüfen Sie die erforderliche Ladekapazität.
Akku lädt nicht.	Das Ladegerät ist nicht mit dem Stromnetz verbunden.	Stecken Sie den Stecker des Ladegeräts in eine funktionierende Steckdose.
	Umgebungstemperatur zu hoch oder zu niedrig.	Bringen Sie das Ladegerät und den Akku an einen Ort, der eine Umgebungstemperatur von über 4,5°C und unter +40,5°C aufweist.
Das Gerät schaltet sich unerwartet aus.	Der Akku hat seine thermische Belastungsgrenze erreicht.	Lassen Sie den Akku abkühlen.
	Akku ist entladen. Um die Lebensdauer des Akkus zu maximieren, wurde er so konzipiert, dass er sich sofort abschaltet, wenn die Ladung aufgebraucht ist.	Bringen Sie ihn am Ladegerät an, so dass er aufgeladen wird.

Wartung

Ihr BLACK+DECKER Gerät wurde im Hinblick auf eine lange Lebensdauer und einen möglichst geringen Wartungsaufwand entwickelt. Ein kontinuierlicher, zufriedenstellender Betrieb hängt von der richtigen Pflege des Gerätes und seiner

regelmäßigen Reinigung ab.

Das Ladegerät benötigt keine Wartung, es sollte jedoch regelmäßig gereinigt werden.



Warnung! Entfernen Sie vor jeglichen Wartungsarbeiten am Gerät den Akku aus dem Gerät. Ziehen Sie das Ladegerät aus der Netzsteckdose, bevor Sie es reinigen.

- Reinigen Sie regelmäßig die Lüftungsschlitze des Geräts und des Ladegeräts mit einer weichen Bürste oder einem trockenen Tuch.
- Reinigen Sie das Motorgehäuse regelmäßig mit einem feuchten Tuch. Verwenden Sie keine scheuernden Reinigungsmittel oder Reinigungsmittel auf Lösungsmittelbasis.
- Öffnen Sie regelmäßig das Bohrfutter, und entfernen Sie durch Klopfen Staub aus dem Inneren des Geräts.

Umweltschutz



Getrennte Entsorgung. Produkte und Akkus mit diesem Symbol dürfen nicht mit dem normalen Hausmüll entsorgt werden.

Produkte und Akkus enthalten Materialien, die wiederverwertet werden können, um den Bedarf an Rohstoffen zu verringern. Bitte recyceln Sie elektrische Produkte und Akkus gemäß den örtlichen Bestimmungen. Weitere Informationen finden Sie auf www.2helpU.com

Technische Daten

BCD700S		
Spannung	V _{ac}	18
Leerlaufdrehzahl	Min ⁻¹	0-360/0-1400
Max. Drehmoment	Nm	17,5/40
Bohrfutterspannweite	mm	1-10
Maximale Bohrtiefe		
Stahl/Holz/Mauerwerk	mm	10/25/10
Gewicht	kg	0,90 (mit Akku 1,30)

Ladegerät 906214**		
Eingangsspannung	V _{ac}	230
Ausgangsspannung	V _{dc}	18
Stromstärke	mA	200
Ungefähre Ladezeit	Stunden	8

Ladegerät 905902** / N4940**		
Eingangsspannung	V _{ac}	230
Ausgangsspannung	V _{dc}	18
Stromstärke	mA	400
Ungefähre Ladezeit	Stunden	4

Ladegerät		905998**
Eingangsspannung	V_{ac}	230
Ausgangsspannung	V_{ac}	18
Stromstärke	Amp	1
Ungefähre Ladezeit	Stunden	1,5

Akku		BL1518
Spannung	V_{ac}	18
Kapazität	Ah	1,5
Typ		Li-Ionen

Akku		BL2018
Spannung	V_{ac}	18
Kapazität	Ah	2,0
Typ		Li-Ionen

Akku		BL4018
Spannung	V_{ac}	18
Kapazität	Ah	4,0
Typ		Li-Ionen

Schalldruckpegel gemäß EN 60745:	
Schalldruck (L_{wa})	88,7 dB(A), Unsicherheitsfaktor (K) 3 dB(A)
Schallleistung (L_{wa})	99,7 dB(A), Unsicherheitsfaktor (K) 3 dB(A)

Gesamtvibration (Triax-Vektorsumme) gemäß EN 60745:	
Schlagbohren in Beton (a_{hvb})	14,4 m/s^2 , Unsicherheitsfaktor (K) 1,5 m/s^2
Metallbohren (a_{vb})	<2,5 m/s^2 , Unsicherheitsfaktor (K) 1,5 m/s^2
Schraubarbeiten ohne Belastung (a_v)	<2,5 m/s^2 , Unsicherheitsfaktor (K) 1,5 m/s^2

EU-Konformitätserklärung
MASCHINENRICHTLINIE



BCD700S - Schlagbohrmaschine

Black & Decker erklärt, dass die in den „Technischen Daten“ beschriebenen Geräte übereinstimmen mit: 2006/42/EC, EN 60745-1:1010, EN 60745-2-1:2010

Diese Produkte entsprechen außerdem den Richtlinien 2004/30/EU und 2011/65/EU. Weitere Informationen erhalten Sie von Black & Decker unter der folgenden Adresse. Diese befindet sich auch auf der Rückseite dieser Anleitung.

Der Unterzeichnete ist verantwortlich für die Zusammenstellung der technischen Daten und gibt diese Erklärung im Namen von Black & Decker ab.

R. Laverick
Engineering Manager
Black & Decker Europe, 270 Bath Road, Slough,
Berkshire, SL1 4DX
Vereinigtes Königreich
19/05/2020

Garantie

Black & Decker vertraut auf die Qualität der eigenen Geräte und bietet dem Käufer eine außergewöhnliche Garantie von 24 Monaten ab Kaufdatum. Diese Garantie versteht sich unbeschadet der gesetzlichen Gewährleistungsansprüche und schränkt diese keinesfalls ein. Diese Garantie gilt innerhalb der Staatsgebiete der Mitgliedstaaten der Europäischen Union und der Europäischen Freihandelszone.

Zur Inanspruchnahme dieser Garantie muss sie den allgemeinen Geschäftsbedingungen von Black & Decker entsprechen und dem Verkäufer bzw. der Vertragswerkstatt ist ein Kaufnachweis vorzulegen.

Die Bedingungen für die 2-jährige Garantie von Black & Decker und den Standort Ihrer nächstgelegenen Vertragswerkstatt finden Sie im Internet unter www.2helpU.com oder indem Sie sich an die lokale Black & Decker-Niederlassung wenden, deren Adresse Sie in dieser Anleitung finden.

Bitte besuchen Sie unsere Website unter www.blackanddecker.de, um Ihr neues Black & Decker-Produkt zu registrieren. Dort erhalten Sie auch Informationen über neue Produkte und Sonderangebote.

Utilisation prévue

Votre perceuse à percussion BLACK+DECKER BCD700S a été conçue pour visser et percer le bois, le métal et les matériaux de maçonnerie. Cet outil est destiné à un usage grand public uniquement.

Consignes de sécurité

Avertissements liés à la sécurité générale propres aux outils électriques



Avertissement ! Veuillez à lire tous les avertissements sur la sécurité, toutes les instructions, toutes les illustrations et toutes les spécifications fournies avec cet outil électrique. Le non-respect de toutes les instructions listées ci-dessous peut conduire à des décharges électriques, des incendies et/ou de graves blessures.

Conservez tous les avertissements et toutes les instructions afin de pouvoir vous y référer dans le futur. Le terme "outil électrique" mentionné dans tous les avertissements listés ci-dessous fait référence à vos outils électriques branchés sur secteur (avec câble) ou fonctionnant sur pile ou batterie (sans fil).

1. Sécurité de la zone de travail

- Maintenez la zone de travail propre et bien éclairée.**
Les zones sombres ou encombrées sont propices aux accidents.
- N'utilisez pas d'outils électriques dans un environnement présentant des risques d'explosion ou en présence de liquides, gaz ou poussières inflammables.** Les outils électriques créent des étincelles qui peuvent enflammer les poussières et les fumées.
- Maintenez les enfants et les autres personnes à l'écart lorsque les outils électriques sont en marche.** Toute distraction peut vous faire perdre le contrôle de l'outil.

2. Sécurité électrique

- Les prises des outils électriques doivent correspondre à la prise de courant murale. Ne modifiez jamais la prise d'aucune sorte. N'utilisez aucun adaptateur avec des outils électriques reliés à la terre.** L'utilisation de prises d'origine et de prises murales appropriées permet de réduire le risque de décharge électrique.
- Évitez tout contact physique avec des surfaces reliées à la terre comme des tuyaux, des radiateurs, des fours et des réfrigérateurs par exemple.** Il y a sinon un risque accru de décharge électrique si votre corps est lui-même relié à la terre.
- N'exposez pas les outils électriques à la pluie, ni à l'humidité.** Le risque de décharge électrique augmente si de l'eau pénètre dans un outil électrique.
- Ne tirez pas sur le cordon d'alimentation. N'utilisez jamais le cordon pour transporter, tirer ou débrancher l'outil électrique. Maintenez le cordon**

à l'écart de la chaleur, des substances grasses, des bords tranchants ou des pièces mobiles. Les cordons endommagés ou emmêlés augmentent le risque de décharge électrique.

- Si vous utilisez un outil électrique à l'extérieur, utilisez une rallonge homologuée pour les travaux extérieurs.** L'utilisation d'une rallonge électrique homologuée pour les travaux en extérieur réduit le risque de décharge électrique.
- Si l'utilisation d'un outil électrique dans un endroit humide est inévitable, utilisez une alimentation électrique protégée par un disjoncteur différentiel à courant résiduel (DDR).** L'utilisation d'un DDR réduit le risque de décharge électrique.

3. Sécurité des personnes

- Restez vigilant, surveillez ce que vous faites et faites preuve de bon sens lorsque vous utilisez un outil électrique.**
N'utilisez pas d'outils électriques si vous êtes fatigué ou sous l'influence de drogue, d'alcool ou de médicaments. Tout moment d'inattention pendant l'utilisation d'un outil électrique peut engendrer de graves blessures.
- Portez des équipements de protection individuelle. Portez toujours une protection oculaire.** Les équipements de protection comme les masques à poussière, les chaussures de sécurité antidérapantes, les casques ou les protections auditives utilisés à bon escient réduisent le risque de blessures.
- Empêchez tout démarrage intempestif. Assurez-vous que l'interrupteur est en position Arrêt avant de raccorder l'outil à l'alimentation électrique et/ou au bloc-batterie ou avant de ramasser ou de transporter l'outil.** Le fait de transporter les outils électriques le doigt sur l'interrupteur ou d'alimenter les outils électriques dont l'interrupteur est déjà en position Marche augmente les accidents.
- Retirez toutes les clés ou pinces de réglage avant de mettre l'outil en marche.** Une clé ou une pince restée fixée sur une pièce rotative de l'outil électrique peut entraîner des blessures.
- Ne vous penchez pas. Gardez les pieds bien ancrés au sol et conservez votre équilibre en permanence.** Cela permet de mieux maîtriser l'outil électrique en cas de situations imprévues.
- Portez des vêtements appropriés. Ne portez aucuns vêtements amples, ni bijoux. Gardez vos cheveux et vos vêtements à l'écart des pièces mobiles.** Les vêtements amples, les bijoux ou les cheveux longs peuvent être happés par les pièces mobiles.

- g. Si vous disposez de dispositifs pour l'extraction et la récupération des poussières, veillez à ce qu'ils soient correctement raccordés et utilisés.**
L'utilisation de dispositifs récupérateurs de poussière réduit les risques liés aux poussières.
- h. Ne pensez pas être à ce point familiarisé avec l'outil après l'avoir utilisé à de nombreuses reprises, au point de ne plus rester vigilant et d'en oublier les consignes de sécurité.** Toute action imprudente peut entraîner de graves blessures en une fraction de seconde.
- 4. Utiliser et entretenir un outil électrique**
- a. Ne sur-sollicitez pas l'outil électrique. Utilisez un outil approprié, adapté au travail à réaliser.**
Un outil adapté fonctionne mieux, de façon plus sûre et à la cadence pour laquelle il a été conçu.
- b. N'utilisez pas l'outil électrique si l'interrupteur ne permet plus de le mettre en marche et de l'éteindre.** Tout appareil électrique qui ne peut plus être commandé par son interrupteur est dangereux et il doit être réparé.
- c. Débranchez la prise de la source d'alimentation électrique et/ou retirez le bloc-batterie de l'outil s'il est amovible, avant d'effectuer tout réglage, de changer un accessoire ou de ranger l'outil électrique.**
Ces mesures de sécurité préventives réduisent le risque de démarrage accidentel de l'outil électrique.
- d. Rangez les outils électriques non utilisés hors de portée des enfants et ne laissez aucune personne ne connaissant pas ces outils ou leurs instructions d'utilisation les faire fonctionner.** Les outils électriques peuvent être dangereux entre des mains inexpérimentées.
- e. Veillez à bien entretenir vos outils électriques et leurs accessoires. Vérifiez que les pièces mobiles sont alignées correctement et qu'elles ne sont pas coincées. Vérifiez qu'aucune pièce n'est cassée et contrôlez l'absence de toute autre condition qui pourrait nuire au bon fonctionnement de l'outil. En cas de dommage, faites réparer l'outil électrique avant de le réutiliser.** De nombreux accidents sont provoqués par des outils électriques mal entretenus.
- f. Maintenez les organes de coupe affûtés et propres.** Des organes de coupe bien entretenus dont le tranchant est affûté sont moins susceptibles de rester coincés et sont plus faciles à maîtriser.
- g. Utilisez l'outil électrique, les accessoires et les embouts d'outils conformément à ces instructions, en tenant compte des conditions de travail et de la tâche à effectuer.** L'utilisation d'un outil électrique à d'autres fins que celles pour lesquelles il a été prévu peut entraîner des situations dangereuses.
- h. Veillez à garder les poignées et les surfaces de préhension restant sèches, propres et sans trace d'huile ou de graisse.** Des poignées et des surfaces de préhension glissantes ne permettent pas de manipuler et de contrôler l'outil correctement en cas de situations inattendues.
- 5. Utiliser et entretenir un outil fonctionnant sur batterie (ne concerne que les outils fonctionnant sur batterie)**
- a. N'effectuez la recharge qu'à l'aide du chargeur spécifié par le fabricant.** Un chargeur adapté pour un type de bloc-batterie peut créer un risque d'incendie s'il est utilisé avec un bloc-batterie différent.
- b. N'utilisez l'outil électrique qu'avec les blocs-batteries spécifiquement prévus.** L'utilisation d'un autre bloc-batterie peut créer un risque de blessures et d'incendie.
- c. Quand le bloc-batterie n'est pas utilisé, éloignez-le des objets métalliques comme les trombones, les pièces, les clés, les clous, les vis ou les autres petits objets qui pourraient créer un contact entre les deux bornes.** La mise en court-circuit des bornes d'une batterie peut provoquer des brûlures ou un incendie.
- d. Dans des conditions extrêmes, du liquide peut être éjecté de la batterie. Évitez tout contact. En cas de contact accidentel, rincez à l'eau. En cas de contact avec les yeux, consultez en plus un médecin.** Le liquide sortant de la batterie peut provoquer des irritations ou des brûlures.
- e. N'utilisez jamais un bloc-batterie ou un outil qui est endommagé ou qui a été modifié.** Les batteries endommagées ou modifiées peuvent avoir un comportement imprévisible qui peut conduire à un incendie, une explosion ou à un risque de blessure.
- f. N'exposez pas le bloc-batterie ou l'outil au feu ou à des températures excessives.** L'exposition au feu ou à des températures dépassant 130 °C peut provoquer une explosion. REMARQUE : La température "130 °C" peut être remplacée par la température "265 °F".
- g. Respectez toutes les instructions liées à la charge et ne rechargez pas le bloc-batterie ou l'outil en dehors de la plage de températures spécifiée dans les instructions.** Une charge mal effectuée ou à des températures hors de la plage spécifiée peut endommager le bloc-batterie et augmenter le risque d'incendie.
- 6. Révision/Réparation**
- a. Faites réviser/réparer votre outil électrique par une personne qualifiée, n'utilisant que des pièces de rechange d'origine.** Cela permet de garantir la sûreté de l'outil électrique.
- b. Ne réparez jamais un bloc-batterie endommagé.** Les réparations sur les blocs-batteries ne doivent être effectuées que par le fabricant ou l'un de ses prestataires de services agréés (ne concerne que les outils fonctionnant sur batterie).

Avertissements liés à la sécurité supplémentaires propres aux outils électriques



Avertissement ! Avertissements liés à la sécurité supplémentaires propres aux perceuses

- **Utilisez les poignées auxiliaires livrées avec l'outil.** La perte de contrôle peut provoquer des blessures.
- **Tenez l'outil électrique par ses surfaces de préhension isolées lorsque vous réalisez une opération au cours de laquelle l'organe de coupe pourrait entrer en contact avec des fils électriques cachés.** Tout contact de l'organe de coupe avec un fil sous tension peut mettre les parties métalliques exposées de l'outil sous tension et provoquer un choc électrique à l'utilisateur.
- **Tenez correctement l'outil avant de l'utiliser.** Cet outil génère un couple élevé et s'il n'est pas correctement tenu, une perte de contrôle pouvant provoquer des blessures est possible.
- **Tenez l'outil électrique par ses surfaces de préhension isolées lorsque vous réalisez une opération au cours de laquelle la fixation pourrait entrer en contact avec des fils électriques cachés.** Tout contact d'une fixation avec un fil sous tension peut mettre les parties métalliques exposées de l'outil sous tension et provoquer une décharge électrique à l'utilisateur.
- **Utilisez des pinces ou tout autre moyen pratique pour fixer et soutenir l'ouvrage sur une plateforme stable.** Tenir l'ouvrage à la main ou contre votre corps le rend instable et peut conduire à une perte de contrôle.
- Avant de percer les murs, les planchers ou les plafonds, vérifiez l'emplacement des éventuels câbles et tuyaux.
- Évitez de toucher le bout de l'embout ou de la mèche juste après avoir percé. Ils peuvent être très chauds.
- L'utilisation prévue est décrite dans ce manuel d'utilisation. L'utilisation d'un accessoire ou d'un équipement ou l'utilisation de cet outil à d'autres fins que celles recommandées dans ce manuel d'utilisation peut présenter un risque de blessures et/ou de dégâts matériels.

Consignes de sécurité pour l'utilisation de mèches longues

- **Ne les utilisez jamais à une vitesse supérieure à leur vitesse nominale maximum.** À grande vitesse, la mèche peut plier si elle tourne dans le vide, sans être en contact avec l'ouvrage et des blessures sont possibles.
- **Commencez toujours à percer à faible vitesse alors que la pointe de la mèche est en contact avec l'ouvrage.** À grande vitesse, la mèche peut plier si elle tourne dans le vide, sans être en contact avec l'ouvrage et des blessures sont possibles.

- **N'exercez qu'une faible pression, toujours perpendiculaire sur la mèche.** Les mèches peuvent plier et casser et ainsi provoquer une perte de contrôle et des blessures.

Sécurité des personnes

- Cet outil n'est pas prévu pour être utilisé par des personnes (y compris les enfants) aux capacités physiques, sensorielles ou intellectuelles réduites ou sans expérience ni connaissances, à moins qu'elles ne soient surveillées ou qu'elles n'aient été formées sur la façon d'utiliser l'appareil, par une personne responsable de leur sécurité.
- Les enfants doivent être surveillés afin garantir qu'ils ne jouent pas avec l'appareil.

Risques résiduels

Certains risques résiduels autres que ceux mentionnés dans les avertissements sur la sécurité peuvent survenir en utilisant l'outil. Ces risques peuvent être dus à une utilisation incorrecte, prolongée, etc.

Malgré le respect de toutes les réglementations pertinentes sur la sécurité et la mise en œuvre de dispositifs de sécurité, certains risques résiduels ne peuvent pas être évités.

Ils comprennent :

- Les blessures dues au contact avec des pièces mobiles/ en rotation.
- Les blessures dues au changement de pièces, de lame ou d'accessoires.
- Les blessures dues à l'utilisation prolongée d'un outil. Lorsque vous utilisez un outil quel qu'il soit pendant de longues périodes, veillez à faire des pauses régulières.
- Les troubles de l'ouïe.
- Les risques pour la santé dus à l'inhalation de poussières produites pendant l'utilisation de l'outil (exemple : travail avec du bois, surtout le chêne, le hêtre et les panneaux en MDF).

Vibrations

La valeur des vibrations émises déclarée dans la section Caractéristiques techniques et la déclaration de conformité a été mesurée selon une méthode de test standard fournie par la norme EN 60745 et elle peut être utilisée pour comparer un outil à un autre. La valeur des vibrations émises déclarée peut aussi être utilisée pour une évaluation préliminaire à l'exposition.

Avertissement ! En fonction de la manière dont l'outil est utilisé, la valeur réelle des vibrations émises pendant son utilisation peut différer de la valeur déclarée. Le niveau des vibrations peut dépasser le niveau déclaré.

Quand l'exposition aux vibrations est évaluée afin de déterminer les mesures de sécurité requises par la norme 2002/44/CE pour protéger les personnes utilisant régulièrement des outils électriques, l'estimation de l'exposition aux vibrations doit tenir compte des conditions réelles d'utilisation et de la façon dont l'outil est utilisé. Il faut également tenir compte de toutes les composantes du cycle de fonctionnement comme les durées pendant lesquelles

l'outil est arrêté et quand il fonctionne au ralenti, ainsi que la durée du déclenchement.

Étiquettes apposées sur l'outil

Les symboles suivant figurent sur l'outil avec le code date :



Avertissement ! Afin de réduire le risque de blessures, l'utilisateur doit lire le manuel d'utilisation.

Consignes de sécurité supplémentaires propres aux batteries et aux chargeurs (non fournis avec l'outil)

Batteries

- Ne tentez de les ouvrir sous aucun prétexte.
- N'exposez pas la batterie à l'eau.
- Ne la rangez pas dans des endroits où la température peut dépasser 40 °C.
- Ne procédez à la charge qu'à une température ambiante comprise entre 10 °C et 40 °C.
- Ne procédez à la charge qu'à l'aide du chargeur fourni avec l'outil.
- Au moment de jeter les batteries, respectez les instructions mentionnées dans la section "Protection de l'environnement".



N'essayez pas de recharger des batteries endommagées.

Chargeurs

- N'utilisez votre chargeur BLACK+DECKER que pour recharger la batterie fournie avec l'outil. Les autres batteries pourraient exploser et entraîner des blessures et des dommages.
- Ne tentez jamais de recharger des piles non rechargeables.
- Faites immédiatement remplacer les cordons endommagés.
- N'exposez pas le chargeur à l'eau.
- N'ouvrez pas le chargeur.
- Ne sondez pas le chargeur.



Le chargeur est conçu pour être exclusivement utilisé à l'intérieur.



Lisez le manuel d'utilisation avant de l'utiliser.

Sécurité électrique



Votre chargeur dispose d'une double isolation, aucune liaison à la terre n'est donc nécessaire. Vérifiez toujours que la tension du réseau électrique correspond à la tension figurant sur la plaque signalétique. N'essayez jamais de remplacer le module de charge par une prise de courant ordinaire.

- Si le câble d'alimentation est endommagé, il doit être remplacé par le fabricant ou par un centre d'assistance BLACK+DECKER agréé afin d'éviter tout risque.

Caractéristiques

Cet outil dispose de tout ou partie des caractéristiques suivantes.

1. Interrupteur variateur de vitesse
2. Curseur de sélection du sens de rotation
3. Bague de réglage du couple
4. Mandrin sans clé
5. Système de transmission à double plage
6. Batterie (x2 avec le modèle BCD700S2S)
7. Bouton de libération de la batterie
8. Porte-embout magnétique

Assemblage

Utilisation

Avertissement ! Laissez l'outil fonctionner à son propre rythme. Ne le poussez pas au-delà de sa capacité.

Recharger la batterie (Fig. A)

La batterie doit être rechargée avant la première utilisation et chaque fois qu'elle n'apporte plus assez de puissance pour les travaux réalisés sans peine auparavant. La batterie peut chauffer pendant la charge. Ce phénomène est normal et il n'indique pas un problème.

Avertissement ! Ne rechargez pas la batterie à une température ambiante inférieure à 10 °C ou supérieure à 40 °C. La température recommandée est d'environ 24 °C.

Remarque : Le chargeur ne recharge pas la batterie si la température de la cellule est inférieure à environ 10 °C ou supérieure à 40 °C.

La batterie doit rester dans le chargeur. Le chargeur commence automatiquement la charge dès que la température de la cellule remonte ou redescend.

- Branchez le chargeur dans une prise de courant standard 230 Volts 50 Hz.
- Glissez le bloc-batterie dans le chargeur, comme illustré par la figure A.
- Le voyant vert clignote pour indiquer que la batterie est en charge.
- La fin de la charge est indiquée par le voyant vert restant allumé de façon fixe. Le bloc est alors complètement rechargé et il peut soit être utilisé, soit être laissé dans le chargeur.

Avertissement ! Risque d'incendie. Au moment de débrancher le chargeur de l'outil, veillez à d'abord débrancher le chargeur de la prise de courant avant de débrancher le câble du chargeur de l'outil.

Installer et retirer le bloc-batterie dans l'outil (Fig. B)

Avertissement ! Avant de retirer ou d'installer la batterie, veillez à ce que le bouton de verrouillage soit enclenché pour éviter l'activation de l'interrupteur.

Pour installer le bloc-batterie :

- Insérez le bloc-batterie dans l'outil, jusqu'à entendre le clic (Fig. B)

Retirer le bloc-batterie de l'outil (Fig. C)

- Enfoncez le bouton de libération de la batterie, comme illustré par la figure C et tirez sur le bloc-batterie hors de l'outil.

Instructions pour l'utilisation

Interrupteur à gâchette et bouton d'inversion du sens de rotation

- On allume et on éteint la perceuse en enfonçant et en relâchant l'interrupteur à gâchette (1). Plus la gâchette est enfoncée, plus la vitesse de la perceuse est rapide.
- Le bouton de commande du sens de rotation (2) permet de choisir le sens de rotation de l'outil et il sert également de bouton de verrouillage.
- Pour sélectionner le sens de rotation avant, relâchez l'interrupteur à gâchette et enfoncez le bouton de commande du sens de rotation vers la gauche.
- Pour choisir le sens de rotation arrière, enfoncez le bouton de commande du sens de rotation dans l'autre sens.

Remarque : La position centrale du bouton de commande permet de verrouiller l'outil à l'arrêt. Veillez à bien relâcher la gâchette avant de déplacer le bouton de commande.

Contrôle du couple (Fig. D)

Cet outil est équipé d'une bague de réglage du couple (3) qui permet de sélectionner le mode de fonctionnement et de définir le couple pour le serrage des vis. Les grandes vis et les matériaux durs nécessitent un couple plus élevé que les petites vis et les matériaux tendres.

- Pour percer le bois, le métal et le plastique, placez la bague sur le symbole de la position Perçage
- Pour visser, placez la bague dans la position voulue. Si vous ne savez pas quel réglage choisir, procédez comme suit :
- Positionnez la bague sur le couple le plus bas.
- Serrez la première vis.
- Si l'embrayage cliquette avant d'avoir atteint le résultat voulu, augmentez le couple à l'aide de la bague et continuez le serrage de la vis. Répétez l'opération jusqu'à avoir atteint le bon réglage. Utilisez ce réglage pour les vis restantes.

Mandrin sans clé (Fig. E)

Avertissement ! Avant de retirer ou d'installer un accessoire, veillez à ce que le bouton de verrouillage soit enclenché pour éviter l'activation de l'interrupteur.

Pour insérer une mèche ou un autre accessoire :

- Tenez la partie arrière du mandrin (4) d'une main et utilisez l'autre main pour tourner la partie avant dans le sens inverse des aiguilles d'une montre, vue depuis l'extrémité du mandrin.
- Insérez complètement la mèche ou l'accessoire dans le mandrin et resserrez-le parfaitement en tenant la partie arrière et en tournant la partie avant dans le sens des aiguilles d'une montre, vue depuis l'extrémité du mandrin.

Avertissement ! Ne tentez pas de fixer les mèches (ou tout autre accessoire) en tenant la partie avant du mandrin et en mettant l'outil en marche. Le remplacement des accessoires peut entraîner l'endommagement du mandrin et

des blessures.

Système de transmission à double plage (Figure F)

Le système de transmission à double plage de votre perceuse vous permet de changer de vitesse pour plus de polyvalence. Pour sélectionner la vitesse lente avec un couple élevé (position 1), éteignez l'outil et attendez qu'il s'arrête. Faites glisser le sélecteur de vitesse vers l'arrière (5) loin du mandrin. Pour sélectionner la vitesse rapide avec un couple faible (position 2), éteignez l'outil et attendez qu'il s'arrête. Faites glisser le sélecteur de vitesse vers le mandrin.

Remarque : Ne changez pas de vitesse lorsque l'outil est en marche. Si vous rencontrez des problèmes pour changer la vitesse, veillez à ce que le bouton du système de transmission à double plage soit bien poussé complètement vers l'avant ou complètement vers l'arrière.

Percer/visser

- Sélectionnez le sens de rotation avant ou arrière à l'aide du curseur de réglage du sens de rotation (2).
- Pour mettre l'outil en marche, appuyez sur le l'interrupteur (1). La vitesse de l'outil dépend du degré d'enfoncement de l'interrupteur.
- Pour éteindre l'outil, relâchez l'interrupteur.

Conseils pour une utilisation optimale

Percer

- N'utilisez que des mèches bien affûtées.
- Soutenez et fixez l'ouvrage correctement, comme indiqué dans les consignes de sécurité.
- Utilisez les équipements de protection nécessaires appropriés, tels que mentionnés dans les consignes de sécurité.
- Sécurisez et entretenez la zone de travail correctement, comme indiqué dans les consignes de sécurité.
- Commencez par utiliser la perceuse très lentement, en appuyant que très légèrement, jusqu'à ce que le trou soit suffisamment formé pour que la mèche n'en sorte plus.
- Appliquez une pression perpendiculaire sur la mèche. Appuyez suffisamment pour que la mèche avance, mais pas trop afin d'éviter que le moteur ne cale ou que la mèche ne dévie.
- Maintenez fermement la perceuse avec les deux mains pour en contrôler la torsion.
- **N'ACTIONNEZ PAS LA GÂCHETTE D'UNE PERCEUSE QUI A CALÉ POUR TENTER DE LA DÉMARRER. VOUS POURRIEZ ENDOMMAGER LA PERCEUSE.**
- Évitez les calages pendant le perçage en n'appuyant que très peu sur l'outil et en perçant plus lentement la dernière partie du trou.
- Laissez le moteur tourner en sortant la mèche du trou. Cela permet d'éviter qu'elle se coince.
- Assurez-vous que l'interrupteur permet bien de mettre en marche et d'éteindre la perceuse.

Percer le bois

Le bois peut être percé avec les mêmes forets hélicoïdaux utilisés pour le métal ou avec des mèches plates. Ces forets doivent être bien aiguisés et fréquemment sortis du

trou pendant le perçage afin de supprimer les copeaux des cannelures.

Percer le métal

Utilisez un lubrifiant de coupe pour percer les métaux. La fonte et le laiton doivent en revanche être percés à sec. Les lubrifiants de coupe qui fonctionnent le mieux sont les huiles de coupe sulfurées ou le saindoux.

Percer les matériaux de maçonnerie

Pour percer les matériaux de maçonnerie, réglez la bague (3) sur la position Perçage à percussion en alignant le symbole avec le repère.

Déplacez le sélecteur de vitesse (5) vers l'avant de l'outil (2ème vitesse).

Vissage

- Choisissez toujours un embout de tournevis de type et de taille appropriés.
- Si le serrage est difficile, enduisez la vis d'une petite quantité de liquide vaisselle ou de savon comme lubrifiant.
- Alignez toujours l'outil et l'embout de tournevis avec la vis

Dépannage

Problème	Cause possible	Solution possible
La machine ne démarre pas.	Le bloc-batterie n'est pas rechargé.	Vérifiez si bloc-batterie a besoin d'être rechargé
Le bloc-batterie ne se recharge pas.	Le chargeur n'est pas branché.	Branchez le chargeur dans une prise de courant qui fonctionne.
	La température ambiante est trop chaude ou trop froide.	Déplacez le chargeur et le bloc-batterie dans un endroit où la température ambiante est supérieure à 40°F (4,5°C) ou inférieure à 105°F (+40,5°C)
La machine s'éteint brusquement.	Le bloc-batterie a atteint sa limite de température maximum. Déchargé. (Afin de maximiser la durée de vie du bloc-batterie, il est conçu pour s'arrêter brusquement quand il est déchargé)	Laissez le bloc-batterie refroidir. Placez-le dans le chargeur et laissez-le se recharger.

Maintenance

Votre outil BLACK+DECKER a été conçu pour fonctionner longtemps avec un minimum d'entretien. Le fonctionnement continu et satisfaisant de l'outil dépend de son bon entretien et de son nettoyage régulier.

Votre chargeur ne nécessite aucun entretien particulier, à l'exception d'un nettoyage régulier.



Avertissement ! Avant de réaliser toute opération de maintenance sur l'outil, retirez la batterie de l'outil. Débranchez le chargeur avant de le nettoyer.

- Nettoyez régulièrement les fentes d'aération de votre outil et du chargeur à l'aide d'une brosse souple ou d'un chiffon sec.

- Nettoyez régulièrement le bloc-moteur à l'aide d'un chiffon humide.

N'utilisez pas de détergents abrasifs ou à base de solvants.

- Ouvrez régulièrement le mandrin et éliminez la poussière accumulée à l'intérieur en le tapotant.

Protection de l'environnement



Tri sélectif. Les produits et batteries marqués de ce symbole ne doivent pas être jetés avec les déchets ménagers.

Les produits et les piles/batteries contiennent des matières qui peuvent être récupérées et recyclées afin de réduire la demande en matières premières.

Veillez à recycler les produits électriques et les piles/batteries conformément aux prescriptions locales en vigueur. Pour plus d'informations, consultez le site www.2helpU.com

Caractéristiques techniques

		BCD700S
Tension	V _{cc}	18
Vitesse à vide	Min ⁻¹	0-360/0-1400
Couple maxi	Nm	17,5/40
Capacité du mandrin	mm	1-10
Capacité de perçage maxi		
Acier/bois/matériaux de maçonnerie	mm	10/25/10
Poids	kg	0,90 (1,30 avec batterie)

Chargeur		906214**
Tension d'entrée	V _{ca}	230
Tension de sortie	V _{cc}	18
Courant	mA	200
Durée de charge approx.	Heures	8

Chargeur		905902** / N4940**
Tension d'entrée	V _{ca}	230
Tension de sortie	V _{cc}	18
Courant	mA	400
Durée de charge approx.	Heures	4

Chargeur		905998**
Tension d'entrée	V_{ca}	230
Tension de sortie	V_{cc}	18
Courant	Amp	1
Durée de charge approx.	Heures	1,5

Batterie		BL1518
Tension	V_{ca}	18
Capacité	Ah	1,5
Type		Li-Ion

Batterie		BL2018
Tension	V_{ca}	18
Capacité	Ah	2,0
Type		Li-Ion

Batterie		BL4018
Tension	V_{ca}	18
Capacité	Ah	4,0
Type		Li-Ion

Niveau de pression sonore selon la norme EN 60745 :	
Pression sonore (L_{wa})	88,7 dB(A), incertitude (K) 3 dB(A)
Puissance sonore (L_{wa})	99,7 dB(A), incertitude (K) 3 dB(A)

Valeurs totales des vibrations (somme vectorielle triaxiale) selon la norme EN 60745 :	
Perçage à percussion dans le béton ($a_{h(ISO)}$)	14,4 m/s ² , incertitude (K) 1,5 m/s ²
Perçage du métal ($a_{h(ISO)}$)	<2,5 m/s ² , incertitude (K) 1,5 m/s ²
Vissage sans percussion (a_v)	<2,5 m/s ² , incertitude (K) 1,5 m/s ²

Déclaration de conformité CE

DIRECTIVES MACHINES



BCD700S - Perceuse à percussion

Black & Decker déclare que les produits décrits dans les "Caractéristiques techniques" sont conformes aux normes : 2006/42/CE, EN 60745-1:2010, EN 60745-2-1:2010

Ces produits sont également conformes aux directives 2004/30/UE et 2011/65/UE. Pour plus de précisions, veuillez

contacter Black & Decker à l'adresse qui suit ou consulter la dernière page du présent manuel.

Le soussigné est responsable de la compilation du dossier technique il fait cette déclaration au nom de Black & Decker.

R. Laverick
Responsable technique
Black & Decker Europe, 270 Bath Road, Slough,
Berkshire, SL1 4DX
Royaume-Uni
19/05/2020

Garantie

Black & Decker est sûr de la qualité de ses produits et offre une garantie de 24 mois aux utilisateurs, à partir de la date d'achat. Cette garantie s'ajoute à vos droits légaux auxquels elle ne porte aucunement préjudice. Cette garantie est valable au sein des territoires des États membres de l'Union Européenne et au sein de la Zone européenne de libre-échange.

Pour prétendre à la garantie, la réclamation doit être en conformité avec les conditions générales de Black & Decker et vous devez fournir une preuve d'achat au vendeur ou au réparateur agréé.

Les conditions générales de la garantie Black & Decker 2 ans, ainsi que l'adresse du réparateur agréé le plus proche sont disponibles sur le site Internet www.2helpU.com ou en contactant votre agence Black & Decker locale à l'adresse indiquée dans ce manuel.

Veillez consulter notre site Internet www.blackanddecker.co.uk pour enregistrer votre nouveau produit Black & Decker et pour être tenu informé des nouveaux produits et offres spéciales.

Uso previsto

Il trapano a percussione BLACK+DECKER BCD700S è stato progettato per avvitare e per trapanare legno, metallo e plastica. Questo elettroutensile è destinato esclusivamente all'uso privato.

Istruzioni di sicurezza

Avvertenze di sicurezza generali per gli elettroutensili



Avvertenza! Leggere attentamente tutte le avvertenze, istruzioni, illustrazioni e specifiche fornite con l'elettroutensile. La mancata osservanza delle istruzioni seguenti può dar luogo a scossa elettrica, incendio e/o lesioni personali gravi.

Conservare tutte le avvertenze e le istruzioni per riferimenti futuri.

Il termine "elettroutensile" utilizzato in tutte le avvertenze elencate di seguito fa riferimento sia agli utensili elettrici alimentati tramite una rete elettrica (con cavo) che agli utensili elettrici a batteria (senza cavo).

1. Sicurezza dell'area di lavoro

- Tenere pulita e ben illuminata l'area di lavoro.** Gli ambienti disordinati o scarsamente illuminati favoriscono gli incidenti.
- Evitare di impiegare gli elettroutensili in ambienti esposti al rischio di esplosione, come ad esempio in presenza di liquidi, gas o polveri infiammabili.** Gli elettroutensili generano scintille che possono incendiare polveri o fumi.
- Durante l'uso di un elettroutensile, tenere lontani i bambini e le altre persone presenti nelle vicinanze.** Eventuali distrazioni possono provocare la perdita di controllo.

2. Sicurezza elettrica

- Le spine elettriche degli elettroutensili devono essere adatte alla presa di corrente. Non modificare la spina in alcun modo.** Non utilizzare spine con adattatore con un elettroutensile dotato di messa a terra. Per ridurre il rischio di scossa elettrica evitare di modificare le spine e utilizzare sempre le prese di corrente appropriate.
- Evitare il contatto con superfici collegate a terra, quali tubature, termosifoni, fornelli e frigoriferi.** Se il corpo dell'utilizzatore è collegato a terra, il rischio di scossa elettrica aumenta.
- Custodire gli elettroutensili al riparo dalla pioggia o dall'umidità.** Se dovesse penetrare dell'acqua all'interno dell'elettroutensile, il rischio di scossa elettrica aumenta.
- Non utilizzare il cavo di alimentazione in modo improprio. Non spostare, tirare o scollegare mai l'elettroutensile tirandolo dal cavo. Tenere il cavo di alimentazione lontano da fonti di calore, olio, bordi taglienti o parti in movimento.** Se il cavo di alimentazione è danneggiato o impigliato, il rischio di scossa elettrica aumenta.

- Se l'elettroutensile viene adoperato all'aperto, usare esclusivamente prolunghe omologate per l'impiego all'esterno.** L'uso di un cavo di alimentazione idoneo per esterni riduce il rischio di scossa elettrica.
- Se non è possibile evitare di lavorare in una zona umida, collegarsi a una rete elettrica protetta da un interruttore differenziale salvavita (RCD).** L'uso di un RCD salvavita riduce il rischio di scossa elettrica.

3. Sicurezza personale

- È importante concentrarsi su ciò che si sta facendo e maneggiare con giudizio l'elettroutensile.** Non utilizzare l'elettroutensile quando si è stanchi o sotto l'effetto di sostanze stupefacenti, alcool o medicinali. Un solo attimo di distrazione durante l'uso dell'elettroutensile potrebbe provocare gravi lesioni personali.
- Usare dispositivi di protezione individuale. Indossare sempre occhiali di sicurezza.** L'uso di dispositivi di protezione, quali maschere antipolvere, scarpe antinfortunistiche antiscivolo, elmetti di sicurezza o protezioni per l'udito in condizioni opportune consente di ridurre le lesioni personali.
- Prevenire l'avvio accidentale. Accertarsi che l'interruttore sia nella posizione di spegnimento, prima di collegare l'elettroutensile alla rete elettrica e/o alla batteria, di prenderlo in mano o di trasportarlo.** Per non esporsi al rischio di incidenti, non trasportare l'elettroutensile tenendo le dita sull'interruttore e non collegarlo a una fonte di alimentazione elettrica con l'interruttore in posizione di accensione.
- Prima di accendere un elettroutensile, rimuovere eventuali chiavi o attrezzi di regolazione.** Un utensile di regolazione o una chiave fissati a una parte rotante dell'elettroutensile possono provocare lesioni personali.
- Non sporgersi troppo. Mantenere sempre un appoggio e un equilibrio adeguati.** In tal modo è possibile mantenere un migliore controllo dell'elettroutensile nelle situazioni impreviste.
- Indossare indumenti adeguati. Non indossare abiti larghi o gioielli. Tenere i capelli e gli indumenti lontano dalle parti mobili.** Abiti larghi, gioielli o capelli lunghi possono impigliarsi nelle parti in movimento.
- Se gli elettroutensili sono provvisti di attacchi per il collegamento di dispositivi di aspirazione o di raccolta delle polveri, assicurarsi che questi siano installati e utilizzati correttamente.** L'impiego di dispositivi per la raccolta delle polveri può ridurre i pericoli legati a queste ultime.
- Non lasciare che la familiarità acquisita dall'uso frequente degli elettroutensili induca a cedere alla tentazione di ignorare i principi di utilizzo sicuro**

degli stessi. Un'azione imprudente potrebbe provocare lesioni personali gravi in una frazione di secondo.

4. Uso e cura dell'elettrotensile

- a. Non sovraccaricare l'elettrotensile. Utilizzare l'elettrotensile adatto al lavoro da eseguire.**
L'elettrotensile corretto funziona meglio e in modo più sicuro, se utilizzato alla velocità per cui è stato progettato.
- b. Non utilizzare elettrotensili con interruttori di accensione/spegnimento difettosi.** Qualsiasi elettrotensile che non possa essere controllato tramite l'interruttore è pericoloso e deve essere riparato.
- c. Staccare la spina dalla presa di corrente e/o rimuovere il pacco batteria, se rimovibile, dall'elettrotensile prima di effettuare qualsiasi tipo di regolazione, prima di cambiare gli accessori o di riporlo.** Queste misure di sicurezza preventive riducono il rischio di azionare l'elettrotensile accidentalmente.
- d. Quando non vengono usati, gli elettrotensili devono essere custoditi fuori dalla portata dei bambini. Non consentire l'uso dell'elettrotensile a persone inesperte o che non abbiano letto queste Istruzioni.** Gli elettrotensili sono pericolosi in mano a persone inesperte.
- e. Sottoporre gli elettrotensili e gli accessori a regolare manutenzione. Verificare che le parti mobili siano correttamente allineate e non inceppate, che non vi siano componenti rotti e che non sussistano altre condizioni che possono compromettere il funzionamento dell'elettrotensile. Se l'elettrotensile è danneggiato, farlo riparare prima dell'uso.** Molti incidenti sono provocati da elettrotensili non sottoposti a corretta manutenzione.
- f. Mantenere affilati e puliti gli utensili da taglio.** La manutenzione corretta degli utensili da taglio con bordi affilati riduce le probabilità di inceppamento e ne facilita il controllo.
- g. Utilizzare l'elettrotensile, gli accessori e le punte in conformità a queste istruzioni, tenendo conto delle condizioni operative e del lavoro da eseguire.** L'utilizzo dell'elettrotensile per impieghi diversi da quelli previsti può provocare situazioni di pericolo.
- h. Mantenere le impugnature e le superfici di presa asciutte, pulite e senza tracce di olio o grasso.** Impugnature e superfici di presa scivolose non consentono di maneggiare e controllare in modo sicuro l'elettrotensile nel caso di imprevisti.

5. Utilizzo e cura degli elettrotensili a batteria (solo per elettrotensili a batteria)

- a. Ricaricare la batteria esclusivamente con il caricabatterie specificato dal produttore.** Un caricabatterie adatto a un determinato tipo di pacco batteria può provocare il rischio di incendio se utilizzato con un pacco batteria diverso.
- b. Usare gli elettrotensili esclusivamente con i pacchi batteria appositamente concepiti.** L'impiego di pacchi batteria di tipo diverso potrebbe comportare il rischio di lesioni alle persone e incendio.
- c. Quando non è in uso, il pacco batteria deve essere custodito lontano da oggetti metallici come graffette, monete, chiavi, chiodi, viti o altre minuterie in metallo che possono creare contatto tra i poli.** Se i morsetti della batteria vengono cortocircuitati potrebbero provocare ustioni o un incendio.
- d. In condizioni di sovraccarico, dalla batteria potrebbe fuoriuscire del liquido: evitare il contatto. In caso di contatto accidentale, risciacquare la pelle con abbondante acqua. Se il liquido dovesse entrare a contatto con gli occhi, rivolgersi anche a un medico.** Il liquido che fuoriesce dalla batteria può causare irritazioni o ustioni.
- e. Non utilizzare un pacco batteria o un elettrotensile se danneggiati o modificati.** Le batterie danneggiate o modificate potrebbero manifestare un comportamento imprevedibile, con la possibilità di causare un'esplosione o un incendio.
- f. Non esporre un pacco batteria o un elettrotensile al fuoco o a temperature elevate.** L'esposizione al fuoco o a una temperatura superiore a 130 °C potrebbe provocare un'esplosione. NOTA: 130 °C di temperatura corrispondono a una temperatura di 265 °F.
- g. Seguire tutte le istruzioni per la carica e non caricare il pacco batteria o l'elettrotensile a una temperatura che non rientri nell'intervallo di valori specificato nelle istruzioni.** Una carica effettuata in maniera scorretta o a una temperatura che non rientra nell'intervallo di valori specificato, potrebbe danneggiare la batteria aumentando il rischio d'incendio.

6. Assistenza

- a. Fare riparare l'elettrotensile esclusivamente da personale specializzato che utilizzi solo ricambi originali.** In questo modo viene garantita la sicurezza dell'elettrotensile.
- b. Non riparare i pacchi batteria danneggiati.** Gli interventi di riparazione sui pacchi batteria devono essere eseguiti dal produttore o da fornitori di assistenza autorizzati (solo per gli elettrotensili a batteria).

Avvertenze di sicurezza aggiuntive per gli elettrotensili



Avvertenza! Ulteriori avvertenze di sicurezza per i trapani/avvitatori

- **Usare le impugnature ausiliarie di cui è provvisto l'elettrotensile.** La perdita di controllo può causare lesioni a persone.
- **Tenere l'elettrotensile afferrando le impugnature isolate se vi è la possibilità che l'accessorio di taglio possa venire a contatto con cavi nascosti o con il filo di alimentazione.** Se un accessorio di taglio dovesse venire a contatto con un cavo sotto tensione trasmetterebbe la corrente elettrica anche alle parti metalliche esposte dell'elettrotensile, con il pericolo di provocare la folgorazione dell'utilizzatore.
- **Prima dell'uso sostenere l'elettrotensile in modo adeguato.** Questo elettrotensile produce una coppia di uscita elevata e se non viene sorretto correttamente durante l'uso potrebbe provocare lesioni personali.
- **Tenere l'elettrotensile afferrando le impugnature isolate se vi è la possibilità che la punta dell'avvitatore possa venire a contatto di cavi nascosti o del filo di alimentazione.** Se i dispositivi di fissaggio dovessero venire a contatto con un cavo sotto tensione trasmetterebbero la corrente elettrica anche alle parti metalliche esposte del trapano-avvitatore, con il pericolo di provocare la folgorazione dell'utilizzatore.
- **Usare morse o altri metodi pratici per fissare e bloccare il pezzo in lavorazione a una piattaforma stabile.** Tenere il pezzo con le mani o contro il corpo non ne assicura la stabilità e potrebbe comportare una perdita del controllo.
- Prima di trapanare pareti, pavimenti o soffitti, controllare l'ubicazione di fili e tubazioni.
- Evitare di toccare la punta di una punta del trapano subito dopo la trapanatura, dato che potrebbe essere calda.
- L'uso previsto è descritto in questo manuale d'istruzioni. Se questo elettrotensile viene usato con accessori o per usi diversi da quelli raccomandati in questo manuale, si potrebbero verificare lesioni a persone e/o danni alle cose.

Istruzioni di sicurezza durante l'utilizzo di punte lunghe

- **Non azionare mai il trapano/avvitatore a una velocità superiore alla velocità massima nominale della punta.** A velocità più elevate, è probabile che la punta si pieghi se lasciata ruotare liberamente senza toccare il pezzo in lavorazione, causando lesioni personali.
- **Iniziare sempre a eseguire un foro a bassa velocità e con la punta a contatto con il pezzo in lavorazione.** A velocità più elevate, è probabile che la punta si pieghi se lasciata ruotare liberamente senza toccare il pezzo in lavorazione, causando lesioni personali.

- **Applicare pressione solo in linea diretta con la punta (non esercitare una pressione eccessiva).** Le punte possono piegarsi causando la rottura o la perdita del controllo, con conseguenti lesioni personali.

Sicurezza altrui

- Questo elettrotensile non è stato progettato per l'impiego da parte di persone portatrici di handicap fisici, psichici o sensoriali di qualsiasi età, o di soggetti che non siano in possesso della dovuta esperienza o conoscenza, salvo che siano seguite o opportunamente istruite sul suo impiego da parte di una persona responsabile della loro sicurezza.
- Sorvegliare i bambini per assicurarsi che non giochino con l'elettrotensile.

Rischi residui

L'utilizzo dell'elettrotensile può comportare rischi residui non necessariamente riportati nelle presenti avvertenze di sicurezza. Tali rischi possono sorgere a seguito di un uso prolungato o improprio, ecc.

Malgrado il rispetto delle norme di sicurezza pertinenti e l'implementazione di dispositivi di sicurezza, alcuni rischi residui non possono essere evitati. Tali rischi includono:

- lesioni personali causate dal contatto con parti rotanti/in movimento;
- lesioni personali subite durante la sostituzione di parti, lame o accessori;
- lesioni personali causate dall'impiego prolungato di un elettrotensile (quando si utilizza qualsiasi utensile per lunghi periodi, accertarsi di fare regolarmente delle pause);
- menomazioni uditive;
- rischi per la salute causati dall'aspirazione di polvere generata dall'utilizzo dell'elettrotensile (ad esempio quando si lavora con il legno, in modo particolare quello di quercia, faggio o l'MDF.)

Vibrazione

I valori di emissione di vibrazione dichiarati al capitolo "Dati tecnici" e nella Dichiarazione di conformità nel presente manuale sono stati misurati secondo una procedura standardizzata prevista dalla norma EN 60745 e possono essere usati per mettere a confronto elettrotensili diversi. Il valore di emissione di vibrazione dichiarato può anche essere usato per una valutazione preliminare dell'esposizione.

Avvertenza! Il valore di emissione di vibrazione durante l'impiego effettivo dell'elettrotensile può variare da quello dichiarato a seconda delle modalità d'uso. Il livello di emissione di vibrazione potrebbe superare il valore dichiarato.

Quando si valuta l'esposizione alla vibrazione per stabilire le misure di sicurezza richieste, in conformità alla normativa 2002/44/CE destinata alla protezione delle persone che usano regolarmente elettrotensili nello svolgimento delle proprie mansioni lavorative, è necessario prendere in considerazione le condizioni effettive di utilizzo e il modo in cui l'elettrotensile viene usato, oltre che tenere conto di tutte le componenti del ciclo operativo, vale a dire i periodi in cui l'elettrotensile è

spegnuto, quelli in cui è acceso ma a riposo e quelli in cui viene effettivamente utilizzato.

Etichette sull'elettrotensile

Sull'elettrotensile sono presenti i seguenti simboli assieme al codice data:



Avvertenza! Per ridurre il rischio di lesioni personali l'utilizzatore deve leggere il manuale di istruzioni.

Istruzioni di sicurezza aggiuntive per batterie e caricabatterie (non forniti con l'elettrotensile)

Batterie

- Non tentare mai di aprire la batteria per alcun motivo.
- Non lasciare che la batteria si bagni.
- Non riporre in luoghi dove la temperatura potrebbe superare i 40 °C.
- Caricare solo a temperature ambiente tra 10 °C e 40 °C.
- Caricare la batteria esclusivamente con il caricabatterie fornito in dotazione con l'elettrotensile.
- Quando si smaltiscono le batterie, seguire le istruzioni riportate al capitolo "Protezione dell'ambiente".



Non tentare di caricare batterie danneggiate.

Caricabatterie

- Usare il caricabatterie BLACK+DECKER solo per caricare la batteria dell'apparecchio con il quale è stato fornito. Tipi diversi di batterie potrebbero scoppiare provocando lesioni personali e danni materiali.
- Non tentare mai di caricare batterie non ricaricabili.
- Fare sostituire immediatamente i cavi di alimentazione difettosi.
- Non lasciare che la batteria si bagni.
- Non aprire il caricabatterie.
- Non utilizzare il caricabatterie come sonda.



Il caricabatterie è destinato esclusivamente all'uso in ambienti interni.



Leggere questo manuale d'istruzioni prima dell'uso.

Sicurezza elettrica



Il doppio isolamento di cui è provvisto il caricabatterie rende superfluo il filo di terra. Verificare sempre che la tensione di rete corrisponda a quella indicata sulla targhetta dei valori nominali. Non tentare mai di sostituire la spina caricabatterie con una spina elettrica tradizionale.

- Per prevenire pericoli, se il cavo di alimentazione è danneggiato è necessario farlo riparare dal produttore o presso un Centro assistenza BLACK+DECKER autorizzato.

Caratteristiche

Questo elettrotensile include alcune o tutte le seguenti caratteristiche.

1. Interruttore di azionamento a velocità variabile
2. Cursore di controllo del senso di rotazione
3. Collare per regolazione coppia di serraggio
4. Mandrino portapunta autosestante
5. Selettore marce a due velocità
6. Batteria (x2 con BCD700S2S)
7. Pulsante di rilascio della batteria
8. Portapunte

Assemblaggio

Uso

Avvertenza! Lasciare che l'elettrotensile funzioni al proprio ritmo. Non sovraccaricarlo.

Carica della batteria (Fig. A)

La batteria deve essere caricata prima dell'impiego iniziale e quando non eroga una potenza sufficiente per svolgere lavori che prima era possibile eseguire facilmente. Durante la carica la batteria potrebbe riscaldarsi. Si tratta di un fatto normale che non indica la presenza di un problema.

Avvertenza! Non caricare la batteria a temperature ambientali inferiori a 10 °C o superiori a 40 °C. La temperatura di carica raccomandata è di circa 24 °C.

Nota: il caricabatterie non carica una batteria se la temperatura delle celle è inferiore a 10 °C o superiore a 40 °C circa.

La batteria deve essere lasciata nel caricabatterie, che comincerà a caricarla automaticamente quando la temperatura delle celle aumenta o diminuisce.

- Collegare il caricabatterie a qualsiasi presa elettrica standard 230 Volt 50 Hz.
- Inserire il pacco batteria nel caricabatterie come mostrato in figura A.
- Il LED verde lampeggia mentre la carica è in corso.
- Il completamento della carica sarà indicato dal LED verde che rimane continuamente acceso. Il pacco batteria a quel punto è completamente carica e può essere utilizzato subito o lasciato nel caricabatterie.

Avvertenza! Pericolo di incendio. Quando si scollega il caricabatterie dall'elettrotensile, accertarsi di scollegare prima il caricabatterie dalla presa di corrente, quindi scollegare il cavo del caricabatterie dall'elettrotensile.

Installazione e rimozione del pacco batteria dall'elettrotensile (Fig. B)

Avvertenza! Verificare che il pulsante di bloccaggio sia attivato per evitare l'azionamento dell'interruttore mentre si estrae o si inserisce la batteria.

Per installare il pacco batteria:

- inserire il pacco batteria nell'elettrotensile finché non si avverte un clic (fig. B).

Rimozione del pacco batteria dall'elettrotensile (fig. C)

- Premere il pulsante di rilascio della batteria come indicato in (fig. C) ed estrarre il pacco batteria dall'utensile.

Istruzioni per l'uso

Interruttore a grilletto e pulsante indietro

- Il trapano viene acceso e spento tirando e rilasciando l'interruttore a grilletto (1). Maggiore è la pressione esercitata sull'interruttore di azionamento, maggiore è la velocità del trapano.
- Un pulsante di comando avanti/indietro (2) determina la direzione dell'elettrotensile e funge anche da pulsante di bloccaggio.
- Per selezionare la rotazione in avanti, rilasciare l'interruttore di accensione a grilletto e spostare il pulsante di comando avanti/indietro verso sinistra.
- Per selezionare la rotazione inversa, spostare il cursore di controllo della rotazione avanti/indietro nella direzione opposta.

Nota: Quando il cursore si trova al centro blocca l'utensile nella posizione di spegnimento. Assicurarsi di avere rilasciato il grilletto prima di cambiare la posizione del cursore di controllo del senso di rotazione.

Controllo della coppia (fig.D)

L'elettrotensile è dotato di un collare per la regolazione della coppia (3) che consente di selezionare la modalità operativa e di impostare la coppia di avvittamento delle viti. Le viti di grandi dimensioni e i pezzi in lavorazione di materiale più duro richiedono una coppia di serraggio maggiore rispetto alle viti più piccole e ai pezzi di materiale più tenero.

- Per trapanare legno, metallo e plastica, regolare il collare sul simbolo del trapano
- Per l'avvittatura, regolarlo sulla taratura desiderata. Se non si sa ancora quale impostazione usare, procedere come descritto di seguito:
- Regolare il collare sulla taratura di coppia più bassa.
- Serrare la prima vite.
- Se la frizione scatta prima di aver ottenuto il risultato desiderato, aumentare la taratura del collare e continuare ad avvitare la vite. Ripetere fino a ottenere l'impostazione corretta. Usare questa taratura per le viti rimanenti.

Mandrino senza chiave (fig. E)

Avvertenza! Verificare che il pulsante di blocco di sicurezza sia attivato per evitare l'azionamento dell'interruttore mentre si inseriscono o si estraggono gli accessori.

Per infilare una punta o altri accessori:

- Afferrare la metà posteriore del mandrino (4) con una mano e usare l'altra per ruotare la metà anteriore in direzione antioraria (rispetto all'estremità con mandrino).
- Infilare la punta o un altro accessorio completamente nel mandrino e serrare saldamente tenendo la metà posteriore del mandrino e ruotando la parte anteriore in senso orario come visto dall'estremità del mandrino.

Avvertenza! Non tentare di serrare le punte (o qualsiasi altro accessorio) afferrando la parte anteriore del mandrino portapunta e accendendo l'elettrotensile. Durante il cambio degli accessori, potrebbero verificarsi danni al mandrino e lesioni alle persone.

Selettore marce a due velocità (Figura F)

La funzione del selettore marce a due velocità del trapano/avvitatore consente di cambiare le marce per una maggiore versatilità. Per selezionare la velocità bassa, con coppia alta (posizione 1), spegnere l'elettrotensile e lasciare che si fermi. Far scorrere il selettore marce (5) indietro (lontano dal mandrino). Per selezionare la velocità alta, con coppia bassa (posizione 2), spegnere l'elettrotensile e lasciare che si fermi. Far scorrere il pulsante selettore marce verso il mandrino.

Nota: Non cambiare marce quando l'apparato è in funzione. In caso di difficoltà con il cambio delle marce, assicurarsi che il selettore marce a due intervalli sia completamente spinto in avanti o completamente spinto indietro.

Foratura/Avvittatura

- Selezionare la rotazione avanti o indietro usando il cursore avanti/indietro (2).
- Per accendere l'elettrotensile, premere l'interruttore di accensione (1). La velocità dell'elettrotensile dipende dalla pressione esercitata sull'interruttore.
- Per spegnere l'elettrotensile, rilasciare l'interruttore.

Consigli per un utilizzo ottimale

Foratura

- Utilizzare solamente punte di trapano appuntite.
- Supportare e fissare il pezzo in lavorazione correttamente, come indicato nelle Istruzioni di sicurezza.
- Utilizzare i dispositivi di protezione necessari e adeguati, come indicato nelle Istruzioni di sicurezza.
- Mettere in sicurezza e mantenere l'area di lavoro, come indicato nelle Istruzioni di sicurezza.
- Far funzionare il trapano molto lentamente, con una leggera pressione, fino a quando il foro è sufficientemente profondo da evitare la fuoriuscita della punta.
- Esercitare la pressione perpendicolarmente alla punta. Usare una pressione sufficiente a permettere alla punta di eseguire il foro, ma non così eccessiva da far spegnere il motore o da spostare la punta.
- Tenere saldamente il trapano con due mani per controllarne lo spostamento rotatorio.
- NON PREMERE VARIE VOLTE IL GRILLETTO DI AZIONAMENTO DI UN TRAPANO CHE SI È BLOCCATO PER TENTARE DI RIAVVIIARLO. IL TRAPANO POTREBBE SUBIRE DANNI.
- Contenere al massimo la possibilità di arresto iniziale, riducendo la pressione e azionando il trapano a bassa velocità nell'ultima porzione del foro.
- Tenere acceso il motore mentre si estrae la punta da un foro trapanato. In questo modo si riducono gli inceppamenti.
- Assicurarsi che l'interruttore accenda e spenga il trapano.

Esecuzione di fori nel legno

I fori nel legno possono essere eseguiti con la stessa punta usata per il metallo o con punta a lancia. Le punte devono essere affilate ed estratte frequentemente per eliminare i trucioli dalle scanalature del trapano.

Esecuzione di fori nel metallo

Utilizzare un lubrificante da taglio quando si forano metalli. Fanno eccezione la ghisa e l'ottone, che vanno forati a secco. Gli oli da taglio che funzionano meglio di tutto sono l'olio solforato o l'olio di lardo.

Esecuzione di fori nelle murature

Per la foratura di murature, regolare il collare (3) sulla posizione di trapanatura a percussione, allineando il simbolo al contrassegno.

Far scorrere il selettore della velocità (5) verso la parte anteriore dell'elettrotensile (seconda marcia).

Avvitatura

- Usare sempre la punta da cacciavite di tipo e misura corretti.
- Se le viti sono dure da avvitare, versare una piccola quantità di detersivo o sapone per lubrificarle.
- Tenere sempre l'elettrotensile e la punta del cacciavite in posizione perpendicolare rispetto alla vite

Guida alla risoluzione dei problemi

Problema	Possibile causa	Possibile soluzione
L'unità non si avvia.	Il pacco batteria non si è caricato.	Controllare i requisiti di carica del pacco batteria
Il pacco batteria non si carica.	Il caricabatterie non è collegato a una presa di corrente. La temperatura dell'aria circostante è troppo alta o troppo bassa.	Collegare il caricabatterie a una presa di corrente funzionante. Spostare il caricabatterie e la batteria in un luogo con una temperatura dell'aria circostante superiore a 4,5°C o inferiore a +40,5°C
L'elettrotensile si spegne improvvisamente.	Il pacco batteria ha raggiunto il proprio limite termico massimo. Carica esaurita. (Per massimizzare la durata del pacco batteria, esso è progettato per spegnersi improvvisamente quando è scarica.	Lasciare che il pacco batteria si raffreddi. Inserirlo nel caricabatterie e lasciarlo caricare.

Manutenzione

Questo elettrotensile BLACK+DECKER è stato progettato per funzionare a lungo con una manutenzione minima. Prestazioni sempre soddisfacenti dipendono da una cura appropriata e da una pulizia regolare. Il caricabatterie non richiede alcuna manutenzione, ad eccezione di una regolare pulizia.



Avvertenza! Prima di eseguire interventi di manutenzione sull'elettrotensile estrarre la batteria. Scollegare il caricabatterie dalla presa di corrente prima di pulirlo.

- Pulire regolarmente le prese di ventilazione dell'elettrotensile e del caricabatterie con un pennello o con un panno morbido e asciutto.

- L'alloggiamento del motore deve essere pulito regolarmente con un panno umido.
Non usare sostanze abrasive o detersivi a base di solventi.
- Aprire regolarmente il mandrino e batterlo leggermente per eliminare la polvere dall'interno.

Tutela ambientale



Raccolta differenziata. I prodotti e le batterie contrassegnati con questo simbolo devono essere smaltiti con i rifiuti domestici normali.

I prodotti e le batterie contengono materiali che possono essere recuperati o riciclati, riducendo la richiesta di materie prime.

Riciclare i prodotti elettrici e le batterie attenendosi alle disposizioni locali vigenti. Ulteriori informazioni sono disponibili all'indirizzo www.2helpU.com.

Dati tecnici

		BCD700S
Tensione	V _{ac}	18
Velocità a vuoto	Min ⁻¹	0-360/0-1400
Coppia max.	Nm	17,5/40
Capacità del mandrino	mm	1-10
Capacità di foratura max.		
Acciaio/legno/muratura	mm	10/25/10
Peso	kg	0.90 (con batteria 1.30)

Caricabatterie		906214**
Tensione in ingresso	V _{ac}	230
Tensione erogata	V _{ac}	18
Corrente	mA	200
Tempo di carica approssimativo	Ore	8

Caricabatterie		905902** / N4940**
Tensione in ingresso	V _{ac}	230
Tensione erogata	V _{ac}	18
Corrente	mA	400
Tempo di carica approssimativo	Ore	4

Caricabatterie		905998**
Tensione in ingresso	V _{ac}	230
Tensione erogata	V _{ac}	18

Caricabatterie		905998**
Corrente	Amp	1
Tempo di carica approssimativo	Ore	1,5

Batteria		BL1518
Tensione	V_{ac}	18
Capacità	Ah	1,5
Tipo	Agli ioni di litio	

Batteria		BL2018
Tensione	V_{ac}	18
Capacità	Ah	2,0
Tipo	Agli ioni di litio	

Batteria		BL4018
Tensione	V_{ac}	18
Capacità	Ah	4,0
Tipo	Agli ioni di litio	

Livello di pressione sonora misurato in conformità alla norma EN 60745:	
Pressione sonora (L_{w})	88,7 dB(A), incertezza (K) 3 dB(A)
Potenza sonora (L_{w})	99,7 dB(A), incertezza (K) 3 dB(A)

Valori totali di emissione di vibrazione (somma vettore triassiale) in conformità alla norma EN 60745:	
Trapanatura a percussione nel calcestruzzo ($a_{h(d)}$)	14,4 m/s^2 , incertezza (K) 1,5 m/s^2
Foratura di metallo ($a_{h(v)}$)	<2,5 m/s^2 , incertezza (K) 1,5 m/s^2
Avvitatura senza funzione a impulsi (a_h)	<2,5 m/s^2 , incertezza (K) 1,5 m/s^2

Dichiarazione di conformità CE

DIRETTIVA MACCHINE



BCD700S - Trapano a percussione

Black & Decker dichiara che i prodotti descritti nella sezione "Dati tecnici" sono conformi alle seguenti norme:
2006/42/EC, EN 60745-1:2010, EN 60745-2-1:2010

Questi prodotti sono conformi alla Direttive 2004/30/UE e 2011/65/UE. Per ulteriori informazioni contattare Black & Decker al seguente indirizzo oppure consultare l'ultima di

copertina del manuale.

Il sottoscritto è responsabile della redazione del presente documento tecnico e rilascia questa dichiarazione per conto di Black & Decker.

R. Laverick
Engineering Manager
Black & Decker Europe, 270 Bath Road, Slough,
Berkshire, SL1 4DX
Regno Unito
19/05/2020

Garanzia

Black & Decker è certa della qualità dei propri prodotti e offre ai consumatori una garanzia di 24 mesi dalla data di acquisto. Il presente certificato di garanzia è complementare ai diritti legali e non li pregiudica in alcun modo. La garanzia è valida nei territori degli Stati membri dell'Unione Europea o dell'EFTA (Associazione europea di libero scambio). Per attivare la garanzia, la richiesta di intervento e riparazione in garanzia deve essere effettuata in accordo con i Termini e condizioni Black & Decker e sarà necessario presentare la prova di acquisto al venditore o all'agente di riparazione autorizzato. Termini e condizioni della garanzia Black & Decker di 2 anni e la sede dell'agente di riparazione autorizzato più vicino sono consultabili su Internet all'indirizzo www.2helpU.com oppure è possibile contattare l'ufficio Black & Decker di zona all'indirizzo indicato in questo manuale. Visitare il nostro sito www.blackanddecker.eu per registrare il prodotto Black & Decker appena acquistato e ricevere gli aggiornamenti su nuovi prodotti e offerte speciali.

Bedoeld gebruik

De BLACK+DECKER-slagboormachine van het type BCD700S is ontworpen voor het boren in hout, metaal en metselwerk, maar kan ook als schroevendraaier worden gebruikt. Dit gereedschap is uitsluitend bestemd voor consumentengebruik.

Veiligheidsinstructies

Algemene veiligheidswaarschuwingen voor elektrisch gereedschap



Waarschuwing! Lees alle veiligheidswaarschuwingen, instructies, illustraties en specificaties die bij dit gereedschap zijn meegeleverd. Het niet opvolgen van alle onderstaande instructies kan leiden tot een elektrische schok, brand en/of ernstig persoonlijk letsel.

Bewaar alle waarschuwingen en instructies als referentiemateriaal. De hierna gebruikte term 'elektrisch gereedschap' in alle waarschuwingen die hieronder worden vermeld, heeft betrekking op elektrisch gereedschap voor gebruik op netspanning (met netsnoer) of met een accu (snoerloos).

1. Veilige werkomgeving

- Houd het werkgebied schoon en goed verlicht.** Op rommelige of donkere plekken zullen sneller ongelukken gebeuren.
- Gebruik elektrisch gereedschap niet in een omgeving met explosiegevaar, zoals in de nabijheid van brandbare vloeistoffen, gassen of stof.** Elektrisch gereedschap veroorzaakt vonken die het stof of de dampen kunnen doen ontbranden.
- Houd kinderen en andere personen tijdens het gebruik van elektrisch gereedschap uit de buurt.** Als u wordt afgeleid, kunt u de controle over het gereedschap verliezen.

2. Elektrische veiligheid

- De netstekker van het gereedschap moet in het stopcontact passen. Pas de stekker nooit op enige manier aan.**
Gebruik geen adapterstekkers in combinatie met geaard elektrisch gereedschap. Niet-aangepaste stekkers en passende contactdozen verminderen het risico van een elektrische schok.
- Vermijd aanraking van het lichaam met geaarde oppervlakken, bijvoorbeeld buizen, verwarmingen, fornuizen en koelkasten.** Er bestaat een verhoogd risico van een elektrische schok als uw lichaam contact heeft met aarde.
- Houd het gereedschap uit de buurt van regen en vocht.** Als er water in elektrisch gereedschap binnendringt, verhoogt dit het risico van een elektrische schok.

d. Gebruik het snoer niet voor een verkeerd doel.

Gebruik het snoer nooit om het elektrisch gereedschap te dragen of naar u toe te trekken, of de stekker uit het stopcontact te halen. Houd het snoer uit de buurt van warmtebronnen, olie, scherpe randen, of bewegende onderdelen.

Beschadigde snoeren of snoeren die in de war zijn geraakt, verhogen het risico van een elektrische schok.

- Gebruik, wanneer u buitenshuis met elektrisch gereedschap werkt, alleen verlengsnoeren die zijn goedgekeurd voor gebruik buitenshuis.** Het gebruik van een verlengsnoer dat geschikt is voor binnen vermindert het risico van een elektrische schok.
- Als u een elektrisch gereedschap moet gebruiken in een vochtige locatie, moet u een reststroomschakelaar (RCD) gebruiken.** Het gebruik van een aardlekschakelaar vermindert het risico van een elektrische schok.

3. Persoonlijke veiligheid

- Blijf alert, let goed op wat u doet en ga met verstand te werk bij het gebruik van elektrisch gereedschap.**
Gebruik elektrisch gereedschap niet als u vermoeid bent of als u onder invloed van drugs, alcohol of medicatie bent. Een moment van onoplettendheid tijdens het werken met elektrisch gereedschap kan leiden tot ernstig persoonlijk letsel.
- Draag persoonlijke beschermende kleding. Draag altijd oogbescherming.** Beschermende uitrusting, zoals een stofmasker, anti-slip veiligheidsschoenen, een helm, of gehoorbescherming, gebruikt in de juiste omstandigheden, zal het risico op persoonlijk letsel verminderen.
- Vorkom dat het gereedschap onbedoeld kan worden ingeschakeld. Controleer dat de schakelaar in de uit-stand staat en breng vervolgens pas de aansluiting met de stroombron en/of accu tot stand, of pak vervolgens pas het gereedschap op of draag het ergens heen.** Het dragen van elektrisch gereedschap met uw vinger op de schakelaar of het aanzetten van elektrisch gereedschap waarvan de schakelaar aan staat, kan leiden tot ongelukken.
- Verwijder alle stelsleutels of steeksleutels voor u het elektrische gereedschap aan zet.** Een steeksleutel of een inbussleutel in een draaiend deel van het elektrisch gereedschap kan tot persoonlijk letsel leiden.
- Reik niet buiten uw macht. Blijf altijd stevig en in balans op de grond staan.** Dit geeft u betere controle over het elektrisch gereedschap in onverwachte situaties.

- f. **Draag de juiste kleding. Draag geen loszittende kleding of sieraden. Houd uw haar en kleding weg bij bewegende onderdelen.** Loszittende kleding, sieraden of lang haar kunnen door bewegende delen worden gegrepen.
- g. **Controleer dat, wanneer hulpstukken voor stofafzuiging en stofopvang kunnen worden gemonteerd, deze goed zijn aangesloten en op juiste wijze worden gebruikt.** Het gebruik van stofafzuiging kan aan stof gerelateerde gevaren verminderen.
- h. **Word niet gemakzuchtig doordat u door veelvuldig gebruik vertrouwd bent geraakt met het gereedschap, en verlies niet de veiligheidsbeginselen voor het gereedschap uit het oog.** Een onvoorzichtige handeling kan in een fractie van een seconde ernstig letsel tot gevolg hebben.
4. **Gebruik en onderhoud van elektrisch gereedschap**
- a. **Oefen niet te veel kracht uit op het elektrisch gereedschap. Gebruik het juiste elektrisch gereedschap voor uw toepassing.**
Met het juiste elektrisch gereedschap kunt u de werkzaamheden waarvoor het gereedschap is ontworpen, beter en veiliger uitvoeren.
- b. **Gebruik geen elektrisch gereedschap waarvan de schakelaar defect is.** Ieder elektrisch gereedschap dat niet met de schakelaar kan worden bediend, is gevaarlijk en moet worden gerepareerd.
- c. **Haal de stekker uit het stopcontact en/of neem de accu uit het gereedschap voordat u aanpassingen uitvoert, accessoires verwisselt, of het elektrische gereedschap opbergt.** Dergelijke preventieve veiligheidsmaatregelen verminderen het risico dat het elektrisch gereedschap per ongeluk wordt gestart.
- d. **Bewaar niet-gebruikte elektrische gereedschappen buiten bereik van kinderen. Laat het gereedschap niet gebruiken door personen die er niet vertrouwd mee zijn en deze aanwijzingen niet hebben gelezen.** Elektrisch gereedschap is gevaarlijk in handen van ongetrainde gebruikers.
- e. **Onderhoud elektrisch gereedschap en accessoires goed. Controleer dat bewegende delen van het elektrisch gereedschap wel goed functioneren en niet klemmen, en dat er niet onderdelen zodanig zijn gebroken of beschadigd dat de werking van het gereedschap nadelig wordt beïnvloed. Laat het gereedschap voor gebruik repareren als het beschadigd is.** Veel ongelukken worden veroorzaakt door slecht onderhouden elektrisch gereedschap.
- f. **Houd gereedschap voor maaien en zagen scherp en schoon.** Goed onderhouden zaaggereedschap met scherpe snijvlakken loopt minder snel vast en is gemakkelijker onder controle te houden.
- g. **Gebruik elektrisch gereedschap, accessoires, hulpstukken en dergelijke volgens deze aanwijzingen. Let daarbij op de arbeidsomstandigheden en de uit te voeren werkzaamheden.** Gebruik van het elektrisch gereedschap voor werkzaamheden die anders zijn dan bedoeld, kan leiden tot een gevaarlijke situatie.
- h. **Houd de handgrepen en oppervlakken die u vastpakt, droog, schoon en vrij van olie en vet.** Gladde handgrepen en greepoppervlakken maken het moeilijk het gereedschap veilig te hanteren en onder controle te houden in onverwachte situaties.
5. **Gebruik en verzorging van accugereedschap (alleen voor accugereedschap)**
- a. **Laad de accu alleen op met de lader die wordt opgegeven door de fabrikant.** Een lader die geschikt is voor het ene type accu, kan een risico van brand doen ontstaan bij gebruik met een andere accu.
- b. **Gebruik elektrisch gereedschap alleen in combinatie met specifiek vermelde accu's.** Het gebruik van andere accu's kan gevaar voor letsel en brand geven.
- c. **Houd accu's die niet worden gebruikt uit de buurt van andere metalen voorwerpen, zoals paperclips, munten, spijkers, schroeven of andere kleine metalen voorwerpen die een verbinding van de ene pool naar de andere tot stand kunnen brengen.** Als kortsluiting tussen de polen van de accu wordt gemaakt, kan dit tot brandwonden of brand leiden.
- d. **Wanneer de accu slecht wordt behandeld, kan er vloeistof uit de accu spuiten, vermijd contact met deze vloeistof. Als er per ongeluk contact ontstaat, spoel dan met water. Als de vloeistof in de ogen komt, roep dan tevens medische hulp in.** Vloeistof uit de accu kan irritatie en brandwonden veroorzaken.
- e. **Gebruik niet een accu of gereedschap die/dat beschadigd is of waaraan wijzigingen zijn aangebracht.** Beschadigde of gemodificeerde accu's kunnen zich onvoorspelbaar gedragen wat brand, explosie of een risico van letsel met zich mee kan brengen.
- f. **Stel een accu of gereedschap niet bloot aan vuur of uitzonderlijk hoge temperaturen.** Blootstelling aan vuur of een temperatuur boven 130 °C kan een explosie tot gevolg hebben. **OPMERKING:** Voor de temperatuur „130 °C“ kunt u lezen „265 °F“.
- g. **Volg alle instructies voor het opladen en laad de accu of het gereedschap niet bij een temperatuur buiten het temperatuurbereik dat wordt opgegeven in de instructies.** Onjuist opladen of opladen bij temperaturen buiten het opgegeven bereik kan de accu beschadigen en het risico van brand vergroten.

6. Service

- Laat het gereedschap alleen repareren door gekwalificeerd en vakkundig personeel en alleen met originele vervangingsonderdelen. De veiligheid van het gereedschap blijft dan behouden.
- Voer nooit servicewerkzaamheden uit aan accu's. Alleen de fabrikant of een geautoriseerd servicecentrum mag servicewerkzaamheden aan accu's uitvoeren (geldt alleen voor accugereedschap).

Aanvullende veiligheidswaarschuwingen voor elektrisch gereedschap



Waarschuwing! Aanvullende veiligheidswaarschuwingen voor boormachines

- **Gebruik de hulphandgrepen die bij het gereedschap worden geleverd.** Verlies van controle kan leiden tot persoonlijk letsel.
- **Houd het gereedschap vast bij de geïsoleerde greepoppervlakken wanneer u een handeling uitvoert waarbij het snijdende hulpstuk met verborgen draden in aanraking kan komen.** Accessoires van elektrisch gereedschap die in contact komen met bedrading waar spanning op staat, kunnen metalen onderdelen van het gereedschap onder stroom zetten en de gebruiker een elektrische schok geven.
- **Pak het gereedschap goed vast wanneer u het gaat gebruiken.** Dit gereedschap produceert een hoge torsie en als u het niet stevig vasthoudt tijdens het werken, kan verlies van controle optreden en kan persoonlijk letsel het gevolg zijn.
- **Houd het gereedschap vast bij de geïsoleerde greepoppervlakken wanneer u een handeling uitvoert waarbij het bevestigingsmateriaal met verborgen bedrading in aanraking kan komen.** Bevestigingsmateriaal dat in contact komt met bedrading die onder stroom staat, kan metalen onderdelen van het gereedschap onder stroom zetten en de gebruiker een elektrische schok geven.
- **Zet het werkstuk met klemmen of op een andere praktische manier vast en ondersteun het op een stabiele ondergrond.** Wanneer u het werkstuk vasthoudt met de hand of het tegen uw lichaam gedrukt houdt, is het instabiel en kunt u de controle verliezen.
- Controleer waar zich bedrading en leidingen bevinden voordat u in muren, vloeren of plafonds boort.
- Raak de punt van een boor niet meteen na het boren aan. Deze kan heet zijn.
- Het bedoeld gebruik wordt beschreven in deze instructiehandleiding. Het gebruik van andere accessoires of hulpstukken dan wel de uitvoering van andere handelingen met dit gereedschap dan in deze gebruikershandleiding worden aanbevolen, kan tot persoonlijk letsel en/of materiële schade leiden.

Veiligheidsinstructies wanneer u lange boren gebruikt

- **Werk nooit op een hogere snelheid dan de maximale nominale snelheid op de boor-bit.** Bij hogere snelheden zal de boor misschien doorbuigen als deze vrij kan draaien zonder contact met het werkstuk, wat persoonlijk letsel tot gevolg heeft.
- **Begin altijd met woorden op een lagere snelheid met de boor-bit in contact met het werkstuk.** Bij hogere snelheden zal de boor misschien doorbuigen als deze vrij kan draaien zonder contact met het werkstuk, wat persoonlijk letsel tot gevolg heeft.
- **Oefen alleen in een directe lijn met het boortje druk uit en oefen niet al te veel druk uit.** Bits kunnen doorbuigen waardoor de bit kan breken of de gebruiker de controle kan verliezen, wat persoonlijk letsel tot gevolg heeft.

Veiligheid van anderen

- Dit gereedschap is niet bedoeld voor het gebruik door personen (inclusief kinderen) met een verminderde fysieke, sensorische of mentale vermogens, of met een gebrek aan ervaring en kennis, tenzij zij onder toezicht staan of instructie hebben ontvangen over het gebruik van het gereedschap door een persoon die verantwoordelijk is voor hun veiligheid.
- Houd toezicht op kinderen zodat zij niet met het apparaat kunnen spelen.

Overige risico's

Er kunnen zich bij het gebruik van dit gereedschap nog meer risico's voordoen, die mogelijk niet in de bijgesloten veiligheidswaarschuwingen worden beschreven. Deze risico's kunnen zich voordoen door onoordeelkundig gebruik, langdurig gebruik, enz.

Zelfs wanneer de veiligheidsvoorschriften in acht worden genomen en de veiligheidsvoorzieningen worden gebruikt, kunnen bepaalde risico's niet worden uitgesloten. Dit zijn onder meer:

- Verwondingen die worden veroorzaakt door het aanraken van draaiende of bewegende onderdelen.
- Verwondingen die worden veroorzaakt bij het vervangen van onderdelen, bladen of accessoires.
- Letsel dat wordt veroorzaakt door langdurig gebruik van gereedschap. Wanneer u langere periodes met gereedschap werkt, kunt u het beste regelmatig een pauze nemen.
- Gehoorbeschadiging.
- Gezondheidsrisico's door het inademen van stof dat vrijkomt tijdens het gebruik van het gereedschap (bijvoorbeeld: het werken met hout, met name eiken, beuken en MDF).

Trillingen

De aangegeven waarden voor trillingsemissie in de technische gegevens en de conformiteitsverklaring, zijn gemeten conform een standaardtestmethode die door EN 60745 wordt verstrekt. Hiermee kan het ene gereedschap met het andere worden vergeleken. De aangegeven waarde voor trillingsemissie kan ook worden gebruikt bij een voorlopige

bepaling van blootstelling.

Waarschuwing! De waarde voor trillingsemisatie tijdens het werkelijke gebruik van het elektrisch gereedschap kan verschillen van de aangegeven waarde afhankelijk van de manieren waarop het gereedschap wordt gebruikt. Het trillingsniveau kan toenemen tot boven het aangegeven niveau.

Bij beoordeling van de blootstelling aan trillingen met het doel vast te stellen welke veiligheidsmaatregelen 2002/44/EG vereist ter bescherming van personen die tijdens hun werk regelmatig elektrisch gereedschap gebruiken, moet bij een inschatting van de blootstelling aan trillingen rekening worden gehouden met de werkelijke gebruiksomstandigheden en de manier waarop het gereedschap wordt gebruikt. Daarbij moet ook rekening worden gehouden met alle onderdelen van de bedrijfscyclus, zoals wanneer het gereedschap wordt uitgeschakeld en wanneer het gereedschap stationair loopt en ook de aanlooptijd.

Etiketten op het gereedschap

Behalve van de datumcode is het gereedschap voorzien van de volgende symbolen:



Waarschuwing! De gebruiker moet de instructiehandleiding lezen zodat het risico van letsel wordt beperkt.

Aanvullende instructies voor de veiligheid voor accu's en laders (niet meegeleverd met het gereedschap)

Accu's

- Probeer nooit om welke reden dan ook batterijen open te maken.
- Stel de accu niet bloot aan water.
- Bewaar deze niet op locaties waar de temperatuur boven 40 °C kan stijgen.
- Laad de accu's alleen op bij een omgevingstemperatuur van 10 °C en 40 °C.
- Gebruik alleen de lader die bij het gereedschap is geleverd.
- Gooi lege accu's weg volgens de instructies in het gedeelte "Het milieu beschermen".



Probeer niet beschadigde accu's op te laden.

Laders

- Gebruik de lader van BLACK+DECKER alleen voor de accu's in het gereedschap waarbij de lader is geleverd. Andere batterijen kunnen openbarsten, met persoonlijk letsel en materiële schade tot gevolg.
- Niet-oplaadbare accu's mogen nooit worden opgeladen.
- Een defect snoer moet onmiddellijk worden vervangen.
- Stel de lader niet bloot aan water.
- Maak de lader niet open.
- Prik nooit met een scherp voorwerp in de lader.



De lader is uitsluitend bestemd voor gebruik binnenshuis.



Lees de instructiehandleiding voor u de lader in gebruik neemt.

Elektrische veiligheid



De lader is dubbel geïsoleerd, en daarom is een aardedraad niet nodig. Controleer altijd dat de netspanning overeenkomt met de waarde op het typeplaatje. Probeer nooit de lader te voorzien van een normale netstekker.

- Als het netsnoer is beschadigd, moet het worden vervangen door de fabrikant of een BLACK+DECKER-servicecentrum, zodat gevaarlijke situaties worden voorkomen.

Functies

Dit gereedschap is voorzien van enkele of alle van de volgende functies.

1. Variabele-snelheidsschakelaar
2. Schuifknop voor rechtsom/linksom
3. Stelling voor torsie
4. Sleutellose spankop
5. Twee snelheden
6. Accu (x2 met BCD700S2S)
7. Accu-ontgrendelknop
8. Bithouder voor gebruik als schroevendraaier

Montage

Gebruik

Waarschuwing! Laat het gereedschap op z'n eigen snelheid werken. Overbelast het gereedschap niet.

De accu opladen (afb. A)

De accu moet vóór het eerste gebruik worden opgeladen, en ook zodra de accu niet meer voldoende vermogen levert voor taken die eerst gemakkelijk konden worden uitgevoerd. Tijdens het opladen kan de accu warm worden. Dit is normaal en duidt niet op een probleem.

Waarschuwing! Laad de batterij niet op bij een omgevingstemperatuur lager dan 10 °C of hoger dan 40 °C. De aanbevolen laadtemperatuur is ongeveer 24 °C.

Opmerking: De lader zal de accu niet opladen als de temperatuur van de accu lager is dan ongeveer 10 °C of hoger dan 40 °C.

Laat de accu in dat geval in de lader zitten. De lader wordt automatisch ingeschakeld wanneer de accu de juiste temperatuur heeft.

- Steek de stekker van de lader in een standaard stopcontact van 230 V / 50 Hz.
- Schuif de accu in de lader, zoals wordt getoond in afb. A.
- Het groene LED-lampje gaat knipperen ten teken dat de accu wordt opgeladen.
- Wanneer de accu geheel is opgeladen, blijft het groene lampje ononderbroken branden. De accu is volledig opgeladen en kan nu worden gebruikt of kan in de lader blijven zitten.

Waarschuwing! Brandgevaar. Wanneer u de lader loskoppelt van het gereedschap, let er dan vooral op dat u eerst de stekker uit het stopcontact trekt en vervolgens het snoer van de lader loskoppelt van het gereedschap.

De accu in het apparaat plaatsen en eruit nemen (afb. B)

Waarschuwing! Controleer dat de knop voor vergrendeling in de Uit-stand is ingeschakeld zodat de schakelaar niet kan worden bediend, voor u de accu uitneemt of plaatst.

De accu plaatsen:

- Plaats de accu in het gereedschap en duw tot u een klik hoort (afb. B)

De accu uit het gereedschap nemen (afb. C)

- Druk op de accuvrijgaveknop zoals wordt getoond in (afb. C) en trek de accu uit het gereedschap.

Bedieningsinstructies

Aan/uit-schakelaar & Knop Vooruit/Achteruit

- Uzet de boor AAN en UIT door de Aan/Uit-schakelaar (1) in te trekken en los te laten. Hoe verder u de Aan/Uit-schakelaar indrukt, des te hoger is de snelheid van de boormachine.
- Met de knop voor vooruit/achteruit (2) bepaalt u de draairichting van het gereedschap. Deze knop dient ook als knop voor vergrendeling in de Uit-stand.
- Wilt u de voorwaartse draairichting selecteren, laat dan de Aan/Uit-schakelaar los en duw de Vooruit/Achteruit-knop naar links.
- Wilt u de achterwaartse draairichting selecteren, duw dan de vooruit/achteruit-knop in de tegengestelde richting.

Opmerking: De middelste stand van de regelknop vergrendelt het gereedschap in de uit-stand. Wanneer u de stand van de regelknop wijzigt, is het belangrijk dat u de aan/uit-knop niet indrukt.

Torsieregeling (afb. D)

Dit gereedschap is voorzien van een stelling (3) voor de torsie waarmee u de gebruiksstand kunt selecteren en de torsie voor het indraaien van schroeven kunt instellen. Grote schroeven en harde werkmaterialen vragen een hogere torsie-instelling dan kleine schroeven en zachte werkmaterialen.

- Zet, wanneer u in hout, metaal of kunststof wilt boren, de stelling op het symbool voor de boorstand
- Zet, als u schroeven in of uit wilt draaien, de stelling op de gewenste instelling. Ga als volgt te werk als u niet weet wat de juiste stand is:
- Zet de stelling in de laagste torsie-instelling.
- Draai de eerste schroef vast.
- Als de koppeling ratelt voordat het gewenste resultaat is bereikt, verhoogt u de instelling van de stelling en gaat u door met het aandraaien van de schroef. Herhaal dit tot u de juiste stand heeft bereikt. Gebruik deze stand voor de rest van de schroeven.

Spankop zonder sleutel (afb. E)

Waarschuwing! Controleer voordat u accessoires plaatst of losneemt, dat de knop voor vergrendeling in de Uit-stand is ingeschakeld, zodat de schakelaar niet kan worden bediend. Een boortje of een ander accessoire plaatsen:

- Pak het achterste gedeelte van de spankop (4) met uw ene hand vast en draai met uw andere hand het voorste gedeelte naar links (gezien vanuit de spankop).
- Plaats het boortje of het andere accessoire geheel in de spankop en zet het stevig vast door het achterste gedeelte van de spankop vast te houden en het voorste gedeelte naar rechts te draaien (gezien vanuit de spankop).

Waarschuwing! Probeer niet boren (of andere accessoires) vast te zetten door het voorste gedeelte van de spankop vast te houden en het gereedschap in te schakelen. Wanneer u accessoires op deze manier wisselt, kan de spankop beschadigd raken en kunt u zich bezeren.

Twee snelheden (Afbeelding F)

Met de dubbele versnelling van uw boormachine kunt een andere versnelling kiezen en dat levert meer toepassingsmogelijkheden op. Schakel voor de lage snelheid, voor de instelling voor hoge torsie (stand 1), het gereedschap uit en laat het tot stilstand komen. Schuif de knop voor snelheidswissel (5) weg van de spankop. Schakel voor het selecteren van de hoge snelheid, voor de stand voor lage torsie (stand 2) het gereedschap uit en laat het tot stilstand komen.

Schuif de knop voor snelheidswissel naar voren, naar de spankop toe.

Opmerking: Wissel niet van snelheid wanneer het gereedschap draait. Als het wisselen van snelheid niet gemakkelijk verloopt, is het belangrijk dat u controleert dat de knop voor de snelheidswissel geheel naar voren of geheel naar achteren is geduwd.

Boren/schroeven

- Selecteer met de schuifknop (2) voor draairichting vooruit of achteruit de gewenste draairichting.
- Schakel het gereedschap in door de aan/uit-schakelaar (1) in te drukken. De snelheid van het gereedschap hangt af van hoe ver u de schakelaar indrukt.
- Schakel het gereedschap uit door de schakelaar los te laten.

Tips voor optimaal gebruik

Boren

- Gebruik alleen scherpe boortjes.
- Ondersteun het werkstuk goed en zet het goed vast, volgens de aanwijzingen in Instructies voor de veiligheid.
- Gebruik een geschikte en vereiste veiligheidsuitrusting, volgens de aanwijzingen in Instructies voor de veiligheid.
- Maak het werkgebied veilig en onderhoud het volgens de aanwijzingen in Instructies voor de veiligheid.
- Laat de boormachine langzaam werken, oefen lichte druk uit tot het gat voldoende diep is en het boortje niet meer kan weglopen.
- Oefen druk uit in een rechte lijn met de boor. Duw hard genoeg om het boortje zijn werk te laten doen, maar niet zo hard dat de motor vastloopt of het boortje van zijn rechte lijn afwijkt.
- Houd de boormachine stevig vast met twee handen zodat u de draaibeweging goed kunt controleren.

- SCHAKEL EEN VASTGELOPEN BOORMACHINE NIET IN EN UIT IN EEN POGING DE MACHINE WEER OP GANG TE BRENGEN. HIERDOOR KAN DE BOORMACHINE BESCHADIGD RAKEN.
- Verklein de kans op vastlopen in het laatste gedeelte van het boren door dan de druk te verminderen en langzaam te boren.
- Laat de motor draaien terwijl u de boor uit het geboorde gat trekt. Zo verkleint u de kans van vastlopen.
- Controleer dat de Aan/Uit-schakelaar goed werkt.

In hout boren

In hout kunt u dezelfde spiraalboren gebruiken als voor metaal, of speciale speed-boren. Deze boortjes moeten scherp zijn en moeten tijdens het boren regelmatig uit het gat worden getrokken zodat spaanders uit de groeven van de boor kunnen ontsnappen.

In metaal boren

Gebruik een snijvloeistof wanneer u in metaal boort. De uitzonderingen zijn gietijzer en messing, deze moeten droog worden geboord. De koelolies die het beste werken, zijn gezwavelde koelolie of reuzelolie.

In metselwerk boren

Voor boren in metselwerk zet u de ring (3) in de boorhamerstand door het symbool tegenover de markering te zetten.

Schuif de keuzeschakelaar voor de snelheid (5) naar de voorzijde van het gereedschap (2e versnelling).

Schroeven in- en uitdraaien

- Gebruik altijd het juiste type en formaat schroefbit.
- Als schroeven moeilijk kunnen worden vastgedraaid, kunt u een kleine hoeveelheid afwasmiddel of zeep als smeermiddel gebruiken.
- Houd het gereedschap en het schroefbit altijd recht in het verlengde van de schroef

Problemen oplossen

Probleem	Mogelijke oorzaak	Mogelijke oplossing
Toestel start niet.	De accu is niet opgeladen.	Controleer de laadvereisten voor de accu
De accu laadt niet op.	De stekker van de lader zit niet in het stopcontact.	Steek de stekker van de lader in een stopcontact waar stroom op staat.
	De omgevingstemperatuur is te hoog of te laag.	Verplaats de lader en de accu naar een locatie waar de luchttemperatuur hoger is dan 4,5 °C en lager is dan +40,5 °C

Probleem	Mogelijke oorzaak	Mogelijke oplossing
Gereedschap werkt plotseling niet meer.	Accu heeft de uiterste thermische limiet bereikt. Accu is leeg. De accu is zo ontworpen dat hij zichzelf plotseling uitschakelt wanneer hij bijna leeg is. Dit verlengt de levensduur van de accu	Laat de accu afkoelen. Plaats de accu op de lader en laad de accu op.

Onderhoud

Uw BLACK+DECKER-gereedschap is ontworpen om gedurende langere periode te functioneren met een minimum aan onderhoud. Het continu naar tevredenheid functioneren hangt af van de juiste zorg voor het gereedschap en regelmatige reiniging.

Behalve regelmatige reiniging vraagt de lader geen onderhoud.



Waarschuwing! Neem, voor u onderhoud aan het gereedschap uitvoert, de accu uit het gereedschap. Neem de stekker van de lader uit het stopcontact voor u de lader schoonmaakt.

- Reinig regelmatig de ventilatieopeningen van het gereedschap en de lader met een zachte borstel of droge doek.
- Reinig de behuizing van de motor regelmatig met een vochtige doek.
Gebruik niet een schurend schoonmaakmiddel of een schoonmaakmiddel op basis van een oplosmiddel.
- Open regelmatig de spankop en tik erop zodat eventueel stof uit het binnenste kan vallen.

Het milieu beschermen



Gescheiden afvalinzameling. Producten en accu's voorzien van dit symbool mogen niet bij het normale huishoudafval worden weggegooid.

Producten en accu's bevatten materialen die kunnen worden teruggewonnen of gerecycled, wat de vraag naar grondstoffen doet afnemen.

Recycle elektrische producten en accu's volgens de ter plaatse geldende bepalingen. Nadere informatie is beschikbaar op www.2helpU.com

Technische gegevens

		BCD700S
Spanning	V _{cc}	18
Snelheid onbelast	Min.	0 - 360/0 - 1400
Max. torsie	Nm	17,5/40
Capaciteit spankop	mm	1-10
Max. boorvermogen		
Staal/hout/Metselwerk	mm	10/25/10

BCD700S		
Gewicht	kg	0,90 (met accu 1,30)

Lader 906214**		
Ingangsspanning	V_{ac}	230
Uitgangsspanning	V_{dc}	18
Laadstroom	mA	200
Laadtijd ongeev.	Uur	8

Lader 905902** / N4940**		
Ingangsspanning	V_{ac}	230
Uitgangsspanning	V_{dc}	18
Laadstroom	mA	400
Laadtijd ongeev.	Uur	4

Lader 905998**		
Ingangsspanning	V_{ac}	230
Uitgangsspanning	V_{dc}	18
Laadstroom	Amp	1
Laadtijd ongeev.	Uur	1,5

Accu BL1518		
Spanning	V_{dc}	18
Capaciteit	Ah	1,5
Type		Li-Ion

Accu BL2018		
Spanning	V_{dc}	18
Capaciteit	Ah	2,0
Type		Li-Ion

Accu BL4018		
Spanning	V_{dc}	18
Capaciteit	Ah	4,0
Type		Li-Ion

Geluidsdrukniveau, volgens EN 60745:		
Geluidsdruk (L_{w})		88,7 dB(A), onzekerheid (K) 3 dB(A)
Geluidsvermogen (L_{w})		99,7 dB(A), meetonzekerheid (K) 3 dB(A)

Totale trillingswaarden (som triaxvector) volgens EN 60745:		
Met slagboor in beton boren (a_{hvd})		14,4 m/s ² , onzekerheid (K) 1,5 m/s ²
In metaal boren (a_{hvd})		< 2,5 m/s ² , onzekerheid (K) 1,5 m/s ²

Totale trillingswaarden (som triaxvector) volgens EN 60745:		
Schroeven indraaien zonder slagen (a_{hvd})		< 2,5 m/s ² , onzekerheid (K) 1,5 m/s ²

EG Conformiteitsverklaring

RICHTLIJN VOOR MACHINES



BCD700S - Slagboormachine

Black & Decker verklaart hierbij dat de producten die worden beschreven onder "technische gegevens" voldoen aan: 2006/42/EC, EN 60745-1:1010, EN 60745-2-1:2010

Deze producten voldoen ook aan richtlijn 2004/30/EU en 2011/65/EU. Neem voor meer informatie contact op met Black & Decker op het volgende adres of raadpleeg de achterzijde van de handleiding.

Ondergetekende is verantwoordelijk voor de samenstelling van het technische bestand en legt deze verklaring af namens Black & Decker.

R. Laverick
Engineering Manager
Black & Decker Europe, 270 Bath Road, Slough,
Berkshire, SL1 4DX
Verenigd Koninkrijk
19/05/2020

Garantie

Black & Decker heeft vertrouwen in zijn producten en biedt consumenten een garantie van 24 maanden vanaf de aankoopdatum. Deze garantie vormt een aanvulling op uw wettelijke rechten en beperken deze niet. De garantie is geldig op het grondgebied van de Lidstaten van de Europese Unie en de Europese Vrijhandelszone.

Voor een garantie-aanspraak moet uw aanspraak in overeenstemming zijn met de Voorwaarden en Condities van Black & Decker en moet u een bewijs van aankoop overleggen aan de verkoper of aan een geautoriseerde reparatiemonteur.

Voorwaarden en condities van de Black & Decker 2-jarige garantie en het adres van de geautoriseerde reparatiemonteur bij u in de buurt, vindt u op Internet op www.2helpU.com, of door contact op te nemen met het Black & Decker- kantoor ter plaatse op het adres dat in deze handleiding wordt vermeld. Ga naar onze website www.blackanddecker.co.uk en registreer uw nieuwe Black & Decker- product en ontvang updates over nieuwe producten en speciale aanbiedingen.

Uso previsto

El taladro percutor BCD700S de BLACK+DECKER ha sido diseñado para aplicaciones de atornillado y de taladrado de madera, metales y mampostería. Esta herramienta ha sido concebida únicamente para uso doméstico.

Instrucciones de seguridad

Advertencias de seguridad para herramientas eléctricas en general



¡Advertencia! Lea todas las advertencias de seguridad, instrucciones, ilustraciones y especificaciones suministradas con esta herramienta eléctrica. El incumplimiento de las instrucciones que se indican a continuación puede causar descargas eléctricas, incendios y/o lesiones graves.

Guarde todas las advertencias e instrucciones para futuras consultas. El término "herramienta eléctrica" empleado en las advertencias indicadas a continuación se refiere a la herramienta eléctrica con alimentación de red (con cable) o alimentada por batería (sin cable).

1. Seguridad del área de trabajo

- Mantenga su área de trabajo limpia y bien iluminada.** Las áreas en desorden u oscuras pueden provocar accidentes.
- No utilice la herramienta eléctrica en un entorno con peligro de explosión, en el que se encuentren líquidos, gases o material en polvo inflamables.** Las herramientas eléctricas originan chispas que pueden inflamar el polvo o los gases.
- Cuando utilice la herramienta eléctrica, mantenga alejados a los niños y a otras personas del área de trabajo.** Las distracciones pueden causar la pérdida del control de la herramienta.

2. Seguridad eléctrica

- El enchufe de la herramienta eléctrica debe corresponder a la toma de corriente utilizada. No modifique nunca el enchufe de ninguna forma. No utilice ningún enchufe adaptador con las herramientas eléctricas conectadas a tierra (puestas a masa).** Los enchufes no modificados y las tomas de corriente compatibles reducen el riesgo de descarga eléctrica.
- Evite el contacto corporal con superficies conectadas a tierra o puestas a masa tales como tuberías, radiadores, cocinas y neveras.** Existe un mayor riesgo de descarga eléctrica si su cuerpo está conectado a tierra o puesto a masa.
- No exponga la herramienta eléctrica a la lluvia o a condiciones de humedad.** Si entra agua en una herramienta eléctrica, aumenta el riesgo de descarga eléctrica.

d. Cuide el cable de alimentación. No use nunca el cable para transportar, tirar de la herramienta eléctrica o desenchufarla. Mantenga el cable alejado del calor, aceite, bordes afilados y piezas en movimiento. Los cables dañados o enredados aumentan el riesgo de descarga eléctrica.

e. Si trabaja con la herramienta eléctrica en el exterior, utilice solamente cables de prolongación homologados para uso en exteriores. La utilización de un cable adecuado para uso en exteriores reduce el riesgo de descarga eléctrica.

f. Si la utilización de una herramienta eléctrica en un lugar húmedo es inevitable, utilice una fuente protegida con un dispositivo diferencial residual (DDR). El uso de un DDR reduce el riesgo de descarga eléctrica.

3. Seguridad personal

- Esté atento a lo que hace y utilice la herramienta eléctrica con prudencia.** No maneje una herramienta eléctrica cuando esté cansado o bajo los efectos de drogas, medicamentos o alcohol. Un momento de desatención cuando se manejan herramientas eléctricas puede ocasionar lesiones personales graves.
- Utilice equipo de seguridad personal. Utilice siempre protección ocular.** El uso de equipo de protección como mascarillas antipolvo, calzado antideslizante, casco o protección auditiva en las condiciones apropiadas reduce la posibilidad de lesiones personales.
- Impida que la herramienta se ponga en marcha accidentalmente. Asegúrese de que el interruptor se encuentre en la posición de apagado antes de conectar la herramienta a la fuente de alimentación o a la batería, o de coger o transportar la herramienta.** Transportar herramientas eléctricas con el dedo puesto en el interruptor o herramientas eléctricas activadoras que tengan el interruptor encendido puede provocar accidentes.
- Saque las llaves de ajuste o llaves inglesas antes de encender la herramienta eléctrica.** Dejar una llave inglesa u otra llave puesta en una pieza giratoria de la herramienta eléctrica puede ocasionar lesiones personales.
- No se estire demasiado. Mantenga un equilibrio adecuado y la estabilidad constantemente.** Esto permite un mejor control de la herramienta eléctrica en situaciones inesperadas.
- Use la vestimenta adecuada. No se ponga ropa suelta o joyas. Mantenga el cabello y la ropa alejados de las piezas en movimiento.** La ropa suelta, las joyas y el pelo largo pueden quedar atrapados en las piezas móviles.

- g. Siempre que sea posible utilizar equipos de aspiración o captación de polvo, asegúrese de que estos estén conectados y que se utilicen correctamente.** El uso de equipo de recogida de polvo puede reducir los riesgos relacionados con el polvo.
- h. Evite que la familiaridad adquirida con el uso frecuente de las herramientas le haga confiarse demasiado e ignorar las principales normas de seguridad de las herramientas.** Una utilización descuidada puede provocar lesiones graves en cuestión de segundos.
- 4. Uso y cuidado de herramientas eléctricas**
- a. No sobrecargue la herramienta eléctrica. Use la herramienta eléctrica correcta para su trabajo.** La herramienta eléctrica correcta funcionará mejor y con mayor seguridad si se utiliza de acuerdo con sus características técnicas.
- b. No utilice la herramienta eléctrica si tiene el interruptor defectuoso.** Toda herramienta eléctrica que no pueda controlarse con el interruptor es peligrosa y debe ser reparada.
- c. Desconecte el enchufe de la fuente de alimentación y/o saque la batería de la herramienta antes de realizar cualquier ajuste, cambiar accesorios o guardar las herramientas mecánicas.** Tales medidas de seguridad preventivas reducen el riesgo de poner en marcha la herramienta eléctrica accidentalmente.
- d. Guarde la herramienta eléctrica fuera del alcance de los niños y de las personas que no estén familiarizadas con su uso ni con estas instrucciones.** Las herramientas eléctricas son peligrosas en manos de personas no capacitadas.
- e. Realice el mantenimiento de las herramientas eléctricas y sus accesorios. Compruebe que las piezas móviles no estén desalineadas ni atascadas, que no haya piezas rotas y cualquier otra condición que pudiera afectar al funcionamiento de la herramienta eléctrica. Si la herramienta eléctrica está dañada, llévela para que sea reparada antes de utilizarla.** Muchos accidentes se producen por el mantenimiento inadecuado de las herramientas eléctricas.
- f. Mantenga las herramientas de corte limpias y afiladas.** Las herramientas de corte con bordes afilados y correctamente mantenidas tienen menos probabilidad de bloquearse y son más fáciles de controlar.
- g. Utilice la herramienta eléctrica, los accesorios, los utensilios de la herramienta, etc. de acuerdo con estas instrucciones, y tenga en cuenta las condiciones de trabajo y la tarea a realizar.** El uso de la herramienta eléctrica para operaciones que no sean las previstas puede ocasionar una situación peligrosa.
- h. Mantenga las empuñaduras y las superficies de agarre secas, limpias y libres de aceite y grasa.** Las empuñaduras y superficies de agarre resbaladizas engrasadas impiden manipular y controlar la herramienta en situaciones imprevistas.
- 5. Uso y cuidado de la batería (solo para herramientas con batería)**
- a. Recargue exclusivamente con el cargador indicado por el fabricante.** Un cargador adecuado para un tipo de batería puede provocar riesgos de incendios al ser utilizado con otra batería.
- b. Utilice herramientas eléctricas solamente cuando se especifique en la batería.** El uso de otras baterías puede suponer un riesgo de lesiones e incendio.
- c. Cuando no se utilice la batería, manténgala alejada de objetos de metal como clips para papel, monedas, llaves, clavos, tornillos y otros pequeños objetos metálicos que pueden realizar una conexión de un terminal a otro.** Si se produce un cortocircuito entre los terminales de la batería, pueden ocasionarse incendios o quemaduras.
- d. En condiciones abusivas, podrá salir líquido de la batería, evite el contacto. Si se produce un contacto accidental, lave con agua. Si el líquido se pone en contacto con los ojos, acuda además a un médico.** El líquido expulsado de la batería podrá provocar irritaciones o quemaduras.
- e. No use la batería ni la herramienta si están dañadas o han sido modificadas.** Las baterías dañadas o modificadas pueden tener reacciones imprevistas y causar incendios, explosión o riesgo de lesiones.
- f. No exponga la batería o la herramienta al fuego o a temperaturas excesivas.** La exposición al fuego o a una temperatura superior a 130 °C puede causar una explosión. NOTA: La temperatura "130 °C" puede sustituirse por la temperatura "265 °F".
- g. Siga las instrucciones de carga y no cargue la batería o la herramienta fuera del intervalo de temperatura especificado en las instrucciones.** La carga incorrecta o fuera del rango de temperatura especificado puede dañar la batería y aumentar el riesgo de incendio.
- 6. Reparaciones**
- a. Haga reparar su herramienta eléctrica solo por personal técnico autorizado que emplee exclusivamente piezas de repuesto originales.** Así se asegurará de que se mantenga la seguridad de la herramienta eléctrica.

- b. **Nunca repare la batería si está dañada.** La reparación de la batería puede ser efectuada únicamente por el fabricante o por los proveedores de servicio autorizados (se utiliza solo para herramientas de batería).

Advertencias de seguridad adicionales para herramientas eléctricas



¡Advertencia! Advertencias de seguridad adicionales para taladros

- **Utilice las empuñaduras auxiliares suministradas con la herramienta.** La pérdida de control puede provocar lesiones personales.
- **Sujete la herramienta eléctrica por la superficie de agarre aislada cuando realice una operación en la que el accesorio de corte pueda entrar en contacto con cables ocultos.** Si el accesorio de corte entra en contacto con un cable bajo tensión, puede cargar las partes metálicas expuestas de la herramienta eléctrica y producir una descarga eléctrica al operador.
- **Agarre bien la herramienta correctamente antes de usarla.** Esta herramienta produce un alto par de salida y, si no se apuntala correctamente, durante el funcionamiento se puede perder el control y causar lesiones personales.
- **Sujete la herramienta eléctrica por la superficie protegida cuando realice una operación en la que el accesorio de corte pueda entrar en contacto con cableado oculto.** El contacto de las fijaciones con un cable "cargado" puede cargar las partes metálicas expuestas de la herramienta eléctrica y producir una descarga eléctrica al operador.
- **Utilice fijaciones o cualquier otro método para fijar y apoyar la pieza de trabajo en una plataforma estable.** Si sostiene la pieza de trabajo con las manos o contra el cuerpo, la pieza quedará inestable y puede hacer que usted pierda el control.
- Antes de perforar paredes, suelos o techos, compruebe la ubicación de cables y tuberías.
- Evite tocar la punta de una broca inmediatamente después de taladrar, ya que puede estar caliente.
- En este manual de instrucciones se describe el uso previsto. La utilización de accesorios o dispositivos auxiliares o la realización de operaciones distintas a las recomendadas en este manual de instrucciones para esta herramienta pueden suponer un riesgo de lesiones corporales y/o de daños materiales.

Indicaciones de seguridad para el uso de brocas largas

- **Nunca utilice una velocidad superior a la velocidad nominal máxima indicada para la broca.** A velocidades más altas, la broca podría doblarse si se la deja girar libremente sin entrar en contacto con la pieza de trabajo, y podría ocasionar lesiones personales.

- **Empiece a taladrar siempre a baja velocidad y poniendo la punta de la broca en contacto con la pieza de trabajo.** A velocidades más altas, la broca podría doblarse si se la deja girar libremente sin entrar en contacto con la pieza de trabajo, y podría ocasionar lesiones personales.
- **Aplique una presión no demasiado excesiva y solo en línea directa con la broca.** Las puntas pueden doblarse causando rotura o pérdida de control y lesiones personales.

Seguridad de otras personas

- Las personas (incluidos niños) con capacidades físicas, sensoriales o mentales disminuidas o que carezcan de experiencia y conocimientos no deben utilizar esta herramienta, salvo que hayan recibido supervisión o formación con respecto al uso del aparato por parte de una persona responsable de su seguridad.
- Los niños deben vigilarse en todo momento para asegurarse de que no jueguen con el aparato.

Riesgos residuales

El uso de esta herramienta puede producir riesgos residuales adicionales no incluidos en las advertencias de seguridad adjuntas. Estos riesgos se pueden generar por un uso incorrecto, demasiado prolongado, etc.

El cumplimiento de las normas de seguridad correspondientes y el uso de dispositivos de seguridad no evitan ciertos riesgos residuales. Dichos riesgos incluyen:

- Lesiones producidas por el contacto con piezas móviles o giratorias.
- Lesiones producidas al cambiar cualquier pieza, hoja o accesorio.
- Lesiones producidas al usar una herramienta durante un tiempo demasiado prolongado. Si utiliza una herramienta durante períodos de tiempo demasiado prolongados, asegúrese de realizar pausas con frecuencia.
- Deterioro auditivo.
- Riesgos para la salud producidos al respirar el polvo que se genera cuando se utiliza la herramienta (ejemplo: en los trabajos con madera, especialmente si son de roble, haya y tableros de densidad mediana).

Vibración

Los valores de emisión de vibraciones declarados en el apartado de características técnicas y en la declaración de conformidad se han calculado según un método de prueba estándar proporcionado por la norma EN 60745 y podrán utilizarse para comparar una herramienta con otra. El valor de emisión de vibraciones especificado también puede utilizarse en una evaluación preliminar de la exposición.

¡Advertencia! El valor de emisión de vibraciones durante el funcionamiento real de la herramienta eléctrica puede diferir del valor declarado en función de cómo se utilice dicha herramienta. El nivel de las vibraciones puede aumentar por encima del nivel declarado.

Al evaluar la exposición a las vibraciones con el fin de determinar las medidas de seguridad que exige la directiva

2002/44/CE para proteger a las personas que utilizan periódicamente herramientas eléctricas en el entorno laboral, deberá tenerse en cuenta una estimación de la exposición a las vibraciones, las condiciones de uso reales y el modo de empleo de la herramienta, así como los pasos del ciclo operativo como, por ejemplo, el número de veces que la herramienta se apaga, el tiempo que está parada y el tiempo de activación.

Etiquetas en la herramienta

Junto con el código de la fecha, en la herramienta aparecen los siguientes símbolos:



¡Advertencia! Para reducir el riesgo de lesiones, el usuario debe leer el manual de instrucciones.

Instrucciones de seguridad adicionales para baterías y cargadores (No suministrados con la herramienta)

Baterías

- Nunca trate de abrirlas por ningún motivo.
- No exponga las baterías al agua.
- No las guarde en lugares en los que la temperatura pueda superar los 40 °C.
- Realice la carga únicamente a una temperatura ambiente de entre 10 °C y 40 °C.
- Utilice únicamente el cargador suministrado con la herramienta para realizar la carga.
- Cuando vaya a desechar la batería, siga las instrucciones facilitadas en la sección "Protección del medioambiente".



No intente cargar baterías dañadas.

Cargadores

- Solo debe utilizar el cargador BLACK+DECKER suministrado para cargar la batería de la herramienta. Otras baterías podrían explotar y provocar lesiones y daños materiales.
- Nunca intente cargar baterías no recargables.
- Haga sustituir los cables defectuosos inmediatamente.
- No exponga el cargador al agua.
- No abra el cargador.
- No aplique ningún dispositivo para medir la resistencia del cargador.



El cargador ha sido concebido para utilizarse únicamente en un lugar interior.



Lea el manual de instrucciones antes de usar el producto.

Seguridad eléctrica



El cargador presenta un aislamiento doble; por lo tanto, no requiere conexión a tierra. Compruebe siempre que el voltaje de la red eléctrica corresponda al valor indicado en la placa de características. No intente sustituir el cargador por un enchufe convencional para la red eléctrica.

- Si se daña el cable de alimentación, debe hacerlo sustituir por el fabricante o por un centro de asistencia técnica autorizado de BLACK+DECKER, para evitar cualquier situación de riesgo.

Características

Esta herramienta incluye parte o la totalidad de estas características.

1. Interruptor de velocidad variable
2. Control deslizante de avance/retroceso
3. Collarín de ajuste de par
4. Portabroca sin llave
5. Engranaje de doble rango
6. Batería (2 con BCD700S2S)
7. Botón de liberación del conjunto de la batería
8. Soporte de broca destornillador

Montaje

Uso

¡Advertencia! Deje que la herramienta funcione a su ritmo. No la sobrecargue.

Carga de la batería (Fig. A)

Es necesario cargar la batería antes del primer uso y cada vez que note que no dispone de suficiente potencia para las tareas que antes realizaba con facilidad. Es posible que la batería se caliente durante la carga; esto es normal y no denota ningún problema.

¡Advertencia! No cargue la batería si la temperatura ambiente es inferior a 10 °C o superior a 40 °C. La temperatura de carga recomendada es de aproximadamente 24 °C.

Nota: El cargador no cargará la batería si la temperatura de la batería es inferior a 10 °C o superior a 40 °C aproximadamente.

Deje la batería en el cargador y este empezará a cargarla automáticamente cuando la temperatura de la batería aumente o disminuya.

- Enchufe el cargador en cualquier toma de corriente estándar de 230 voltios, 50 Hz.
- Introduzca la batería en el cargador como se muestra en la Fig. A.
- El LED indicador de carga verde parpadea para indicar que se está cargando la batería.
- Se indicará que la carga ha terminado porque la luz LED verde permanecerá encendida de manera continua. La batería está totalmente cargada y ahora podrá usarla o dejarla en el cargador.

Advertencia: peligro de incendio. Cuando desconecte el cargador de la herramienta, desenchufe el cargador de la toma de corriente y después desenchufe el cable del cargador de la herramienta.

Instalación y extracción de la batería de la herramienta (Fig. B)

¡Advertencia! Compruebe que el botón de desbloqueo está bloqueado para evitar que se active el interruptor antes de sacar o colocar la batería.

Colocación de la batería:

- Inserte la batería en la herramienta, hasta que oiga un clic (Fig. B)

Extracción de la batería de la herramienta (Fig. C)

- Pulse el botón de liberación de la batería, como se muestra (Fig. C), y extraiga la batería de la herramienta.

Instrucciones de funcionamiento

Interruptor de disparo y botón de retroceso

- El taladro se enciende y se apaga apretando y soltando el interruptor de disparo (1). Cuanto más apriete el disparador, mayor será la velocidad del taladro.
- El botón de control de avance/retroceso (2) determina la dirección de la herramienta y también se utiliza como botón de desbloqueo.
- Para seleccionar el giro hacia delante, suelte el interruptor de disparo y apriete el botón de control de avance/retroceso hacia la izquierda.
- Para seleccionar la dirección inversa, apriete el botón de control de avance/retroceso en el sentido contrario.

Nota: La posición central del botón de control bloquea la herramienta en posición de apagado. Cuando cambie la posición del botón de control, asegúrese de haber soltado el interruptor.

Control de par de apriete (Fig. D)

Esta herramienta dispone de un collarín de ajuste de par (3) para seleccionar el modo de funcionamiento y ajustar el par de apriete de los tornillos. Los tornillos largos y las piezas de trabajo de materiales duros requieren un ajuste de par de torsión mayor que los tornillos pequeños y las piezas de trabajo de materiales blandos.

- Para taladrar madera, metal y plásticos, ajuste el collarín en el símbolo de posición de taladrado.
- Para atornillar, coloque el collarín en el ajuste deseado. Si no conoce el ajuste adecuado, haga lo siguiente:
- Ajuste el collarín en el ajuste de torsión más bajo.
- Apriete el primer tornillo.
- Si el acoplamiento se traba antes de obtener el resultado deseado, aumente el ajuste del collarín y siga apretando el tornillo. Repita la operación hasta obtener el ajuste correcto. Utilice este ajuste con los tornillos restantes.

Portabrocas sin llave (Fig. E)

¡Advertencia! Antes de sacar o colocar accesorios, compruebe que el botón de desbloqueo esté bloqueado, para evitar que se active el interruptor.

Para insertar una broca u otro accesorio:

- Sujete la mitad posterior del portabroca (4) con una mano, y con la otra gire la parte delantera en sentido antihorario, visto desde el extremo del portabroca.
- Introduzca la broca u otro accesorio completamente en el portabroca y apriételo bien sujetando la mitad posterior del portabroca y girando en dirección horaria, visto desde el extremo del portabroca.

¡Advertencia! No intente apretar las brocas ni otros accesorios agarrando el portabroca por la parte delantera y encendiendo la herramienta. Al cambiar los accesorios se puede dañar el portabroca y se pueden producir lesiones personales.

Engranaje de doble rango (Figura F)

La función de doble velocidad del taladro le permite aumentar las velocidades para gozar de una mayor versatilidad. Para seleccionar la velocidad baja y el ajuste de par alto (posición 1), apague la herramienta y espere a que se detenga. Deslice el botón de cambio de marcha (5) alejándolo del mandril. Para seleccionar la velocidad alta y el ajuste de par bajo (posición 2), apague la herramienta y espere a que se detenga. Vuelva a deslizar el botón de cambio de marcha hacia el mandril.

Nota: No cambie las velocidades cuando la herramienta esté funcionando. Si tiene algún problema al cambiar las velocidades, compruebe que la palanca de engranajes de doble serie esté completamente colocada hacia delante o hacia atrás.

Taladrado/atornillado

- Seleccione la rotación hacia delante o hacia atrás con el control deslizante de avance/retroceso (2).
- Para encender la herramienta, pulse el interruptor (1). La velocidad de la herramienta depende de cuánto se presione el interruptor.
- Para apagar la herramienta, suelte el interruptor.

Consejos para un uso óptimo

Taladrado

- Utilice exclusivamente brocas afiladas.
- Apoye y fije correctamente el trabajo, como se indica en las instrucciones de seguridad.
- Utilice el equipo de seguridad requerido apropiado, como se indica en las instrucciones de seguridad.
- Cuide y mantenga el lugar de trabajo como se indica en las instrucciones de seguridad.
- Realice el taladrado muy lentamente, ejerciendo una ligera presión, hasta que el agujero sea suficientemente grande para que la broca no se deslice hacia fuera.
- Ejercer presión en línea recta con la broca. Presione lo suficiente para que la broca siga perforando, pero no demasiado, para evitar que el motor se detenga o que la broca se desvíe.
- Mantenga firmemente el taladro con las dos manos para controlar el movimiento de giro.

- NO PULSE REITERADAMENTE EL INTERRUPTOR DE ENCENDIDO Y APAGADO DE UN TALADRO PARADO CON LA INTENCIÓN DE ACCIONARLO. PODRÍAN PRODUCIRSE DAÑOS EN EL TALADRO.
- Para reducir al mínimo las paradas durante el avance rápido, disminuya la presión y taladre lentamente la última parte del orificio.
- Mantenga el motor en funcionamiento mientras extrae la broca del orificio. De este modo, evitará que se produzcan atascos.
- Compruebe que el interruptor encienda y apague el taladro.

Perforar madera

Los orificios en la madera pueden realizarse con las mismas brocas helicoidales utilizadas para el metal o con brocas de pala. Las brocas deben estar afiladas y es necesario extraerlas frecuentemente cuando se realizan las perforaciones con el fin de eliminar las astillas de las ranuras del taladro.

Perforar metales

Utilice un lubricante de corte cuando perforo metales. Las excepciones son el latón y la fundición, que deberán perforarse en seco. Los lubricantes de corte que funcionan mejor son el aceite de corte sulfurizado y el aceite de manteca de cerdo.

Perforar en mampostería

Para taladrar en mampostería, ajuste el collar (3) en la posición de perforación a percusión alineando el símbolo con la marca.

Mueva el selector de velocidad (5) hacia la parte frontal de la herramienta (2.ª marcha).

Atornillado

- Utilice siempre el tipo y tamaño adecuados de punta de atornillar.
- Si tiene dificultad para apretar los tornillos, pruebe a aplicar una pequeña cantidad de líquido de limpieza o jabón como lubricante.
- Sujete siempre la herramienta y la punta de atornillar en línea recta con el tornillo

Resolución de problemas

Problema	Causa posible	Posible solución
El aparato no se pone en marcha.	La batería no está cargada.	Compruebe los requisitos de carga de la batería.
La batería no se carga.	El cargador no está enchufado. La temperatura ambiente es demasiado caliente o demasiado fría.	Enchufe el cargador en una toma de corriente que funcione. Desplace el cargador y la batería a un lugar con temperatura ambiente superior a 40 °F (45 °C) o inferior a 105 °F (+40.5 °C)

Problema	Causa posible	Posible solución
La unidad se apaga repentinamente.	La batería ha alcanzado su máximo límite térmico. Descargada. (Para maximizar la vida útil de la batería, esta ha sido diseñada para interrumpirse repentinamente cuando se agota la carga)	Deje que la batería se enfríe. Colóquela en el cargador y déjela cargar.

Mantenimiento

Su herramienta BLACK+DECKER ha sido diseñada para funcionar durante un largo período de tiempo con un mantenimiento mínimo. El funcionamiento satisfactorio y continuo depende del buen cuidado de la herramienta y de una limpieza frecuente.

El cargador no requiere ningún mantenimiento especial excepto la limpieza periódica.



¡Advertencia! Antes de realizar alguna operación de mantenimiento en la herramienta, extraiga la batería. Desenchufe el cargador antes de limpiarlo.

- Limpie periódicamente las ranuras de ventilación de la herramienta y del cargador con un cepillo suave o un paño seco.
- Limpie periódicamente la carcasa del motor con un paño húmedo.
No utilice limpiadores abrasivos o a base de disolventes.
- Abra periódicamente el portabrocas y golpéelo suavemente para eliminar los restos de polvo que haya en su interior.

Protección del medioambiente



Recogida selectiva. Los productos y baterías marcados con este símbolo no deben desecharse junto con los residuos domésticos normales.

Los productos y las baterías que contienen materiales que se puedan recuperar o reciclar reducen la demanda de materias primas.

Recicle los productos eléctricos y las baterías de conformidad con la normativa local. Puede obtener más información en www.2helpU.com

Datos técnicos

BCD700S		
Tensión	V _{ac}	18
Velocidad en vacío	Min.¹	0-360/0-1400
Par de torsión máximo	Nm	17,5/40
Capacidad del portabroca	mm	1-10
Capacidad máxima de perforación		
Acero/madera/mampostería	mm	10/25/10

		BCD700S
Peso	kg	0.90 (con batería 1.30)

Cargador		906214**
Voltaje de entrada	V_{ca}	230
Voltaje de salida	V_{cc}	18
Corriente	mA	200
Tiempo de carga aproximado	Horas	8

Cargador		905902** / N4940**
Voltaje de entrada	V_{ca}	230
Voltaje de salida	V_{cc}	18
Corriente	mA	400
Tiempo de carga aproximado	Horas	4

Cargador		905998**
Voltaje de entrada	V_{ca}	230
Voltaje de salida	V_{cc}	18
Corriente	Amp	1
Tiempo de carga aproximado	Horas	1.5

Batería		BL1518
Tensión	V_{ca}	18
Capacidad	Ah	1.5
Tipo		iones de litio

Batería		BL2018
Tensión	V_{ca}	18
Capacidad	Ah	2.0
Tipo		iones de litio

Batería		BL4018
Tensión	V_{ca}	18
Capacidad	Ah	4.0
Tipo		iones de litio

Nivel de presión acústica de acuerdo con la norma EN 60745:	
Presión acústica (L_{w})	88,7 dB(A), incertidumbre (K) de 3 dB(A)
Potencia acústica (L_{wa})	99,7 dB(A), incertidumbre (K) 3 dB(A)

Valores totales de vibración (suma vectorial triaxial) de acuerdo con la directiva EN 60745:

Perforación de impacto en hormigón ($a_{h,imp}$) 14.4 m/s², incertidumbre (K) 1.5 m/s²
 Perforación de metal (a_{m}) <2.5 m/s², incertidumbre (K) 1.5 m/s²
 Atornillado sin impacto (a_{s}) <2.5 m/s², incertidumbre (K) 1.5 m/s²

Declaración de conformidad CE

DIRECTIVA DE MÁQUINAS



Taladro percutor - BCD700S

Black & Decker declara que los productos descritos en «Datos técnicos» cumplen las siguientes normas: 2006/42/CE, EN 60745-1:1010, 60745-2-1:2010

Estos productos también cumplen las Directivas 2004/30/UE y 2011/65/UE. Para más información, póngase en contacto con Black & Decker a través de la siguiente dirección o consulte la contracubierta del manual.

El abajo firmante es el responsable de la elaboración del archivo técnico y realiza esta declaración en nombre y representación de Black & Decker.

R. Laverick
 Director de ingeniería
 Black & Decker Europa, 270 Bath Road, Slough,
 Berkshire, SL1 4DX
 Reino Unido
 19/05/2020

Garantía

Black & Decker confía en la calidad de sus productos y ofrece a los consumidores una garantía de 24 meses a partir de la fecha de compra. Esta garantía es adicional a sus derechos legales y no los menoscaba en modo alguno. La garantía es válida dentro de los territorios de los Estados Miembros de la Unión Europea y del Área de Libre Comercio Europea. Para reclamar la garantía, la reclamación se debe presentar de conformidad con las condiciones de Black & Decker, presentando el comprobante de compra al vendedor o al agente técnico autorizado. Puede consultar las condiciones generales de la garantía de Black & Decker de 2 años de duración y la ubicación de su agente de reparación autorizado en el sitio web www.2helpU.com, o poniéndose en contacto con su oficina local de Black & Decker en la dirección indicada en este manual. Visite nuestro sitio web www.blackanddecker.co.uk para registrar su nuevo producto Black & Decker y recibir actualizaciones sobre nuevos productos y ofertas especiales.

Utilização pretendida

O berbequim de percussão BLACK+DECKER BCD700S foi concebido para aparafusar e perfurar madeira, metal e pedra. Esta ferramenta destina-se apenas a utilização doméstica.

Instruções de segurança

Avisos de segurança gerais para ferramentas eléctricas



Atenção! Leia todos os avisos de segurança, instruções, ilustrações e especificações fornecidas com esta ferramenta eléctrica. O não cumprimento de todas as instruções indicadas abaixo pode resultar em choque eléctrico, incêndio e/ou ferimentos graves.

Guarde todos os avisos e instruções para referência futura.

A expressão “ferramenta eléctrica” indicada em todos os avisos refere-se a ferramentas eléctricas com ligação à corrente eléctrica (com fio) ou com bateria (sem fios).

1. Segurança na área de trabalho

- a. **Mantenha a área de trabalho limpa e bem iluminada.** As áreas desarrumadas ou escuras são propensas a acidentes.
- b. **Não trabalhe com ferramentas eléctricas em áreas com risco de explosão, nas quais se encontrem líquidos, gases ou poeiras inflamáveis.** As ferramentas eléctricas produzem faíscas que podem inflamar estas poeiras ou vapores.
- c. **Quando utilizar a ferramenta eléctrica, mantenha as crianças e outras pessoas afastadas.** As distrações podem causar perda de controlo da ferramenta.

2. Segurança eléctrica

- a. **As fichas das ferramenta eléctrica devem caber na tomada. Nunca modifique a ficha.** Não utilize fichas adaptadoras com ferramentas eléctricas ligadas à terra. As fichas não modificadas e as tomadas compatíveis reduzem o risco de choque eléctrico.
- b. **Evite que o corpo entre em contacto com superfícies ligadas à terra, como tubos, radiadores, fogões e frigoríficos.** Se o seu corpo estiver “ligado” à terra, o risco de choque eléctrico é maior.
- c. **As ferramentas eléctricas não podem ser expostas à chuva ou à humidade.** A entrada de água numa ferramenta eléctrica aumenta o risco de choque eléctrico.
- d. **Manuseie o cabo com cuidado. Nunca o utilize para transportar, puxar ou desligar a ferramenta eléctrica. Mantenha o cabo afastado de fontes de calor, óleo, arestas afiadas ou peças móveis.** Os cabos danificados ou emaranhados aumentam o risco de choque eléctrico.

- e. **Quando trabalhar com uma ferramenta eléctrica ao ar livre, utilize uma extensão adequada para essa finalidade.** A utilização de um cabo adequado para uso ao ar livre reduz o risco de choque eléctrico.
- f. **Se for inevitável trabalhar com uma ferramenta eléctrica num local húmido, utilize um dispositivo de corrente residual (DCR).** A utilização de um DCR reduz o risco de choque eléctrico.

3. Segurança pessoal

- a. **Esteja sempre atento, preste atenção ao que está a fazer e seja prudente quando trabalhar com uma ferramenta eléctrica.** Não utilize uma ferramenta eléctrica quando estiver cansado ou sob o efeito de drogas, álcool ou medicamentos. Um momento de distração durante a utilização de ferramentas eléctricas pode resultar em ferimentos graves.
- b. **Use equipamento de protecção individual. Use sempre protecção ocular.** O equipamento de protecção, como, por exemplo, uma máscara anti-poeira, sapatos de segurança antiderrapantes, um capacete de segurança ou uma protecção auditiva, usado nas condições adequadas, reduz o risco de ferimentos.
- c. **Evite arranques involuntários. Verifique se o gatilho está desligado antes de ligar a ferramenta à corrente eléctrica e/ou as baterias e antes de levantar ou transportar a ferramenta.** Se mantiver o dedo sobre o gatilho quando transportar ferramentas eléctricas ou se ligá-las à fonte de alimentação com o gatilho ligado, pode causar acidentes.
- d. **Retire qualquer chave de ajuste ou chave de porcas antes de ligar a ferramenta eléctrica.** Uma chave de fendas ou de ajuste fixada numa peça rotativa da ferramenta eléctrica pode causar ferimentos.
- e. **Não se estique demasiado quando trabalhar com a ferramenta. Mantenha sempre os pés bem apoiados e um equilíbrio adequado.** Desta forma, é mais fácil controlar a ferramenta eléctrica em situações inesperadas.
- f. **Use vestuário adequado. Não use roupa larga ou jóias. Mantenha o cabelo e a roupa afastados das peças móveis.** As roupas largas, jóias ou o cabelo comprido podem ficar presos nestas peças.
- g. **Se for prevista a montagem de dispositivos de extracção e recolha de pó, assegure-se de que estão ligados e que são utilizados de forma correcta.** A utilização de dispositivos de extracção de partículas pode reduzir os riscos relacionados com as mesmas.

- h. **Não permita que o facto de estar familiarizado com a utilização frequente das ferramentas o torne complacente e ignore os princípios de segurança da ferramenta.** Uma acção irreflectida pode causar ferimentos graves numa fracção de segundos.
4. **Utilização e manutenção da ferramenta eléctrica**
- a. **Não sobrecarregue a ferramenta eléctrica. Utilize a ferramenta eléctrica correcta para o seu trabalho.** A ferramenta eléctrica adequada efectua o trabalho de um modo mais eficiente e seguro se for utilizada de acordo com a capacidade para a qual foi concebida.
- b. **Não utilize a ferramenta eléctrica se não conseguir ligar ou desligar o gatilho.** Qualquer ferramenta eléctrica que não possa ser controlada através do gatilho é perigosa e tem de ser reparada.
- c. **Retire a ficha da tomada de electricidade e/ou a bateria da ferramenta eléctrica, caso seja possível fazê-lo, da ferramenta eléctrica antes de efectuar quaisquer ajustes,** substituir acessórios ou guardar a ferramenta. Estas medidas de segurança preventivas reduzem o risco de ligar a ferramenta eléctrica acidentalmente.
- d. **Mantenha as ferramentas eléctricas que não estiverem a ser utilizadas fora do alcance de crianças. Não permita que a ferramenta eléctrica seja utilizada por pessoas não familiarizadas com a mesma ou que não tenham lido estas instruções.** As ferramentas eléctricas são perigosas nas mãos de pessoas que não possuam as qualificações necessárias para manuseá-las.
- e. **Proceda à manutenção das ferramentas eléctricas e acessórios. Verifique se as partes móveis estão desalinhadas ou bloqueadas, se há peças partidas ou qualquer outra situação que possa afectar o funcionamento das ferramentas eléctricas. Se a ferramenta eléctrica estiver danificada, esta só deve ser utilizada quando estiver reparada.** Muitos acidentes são causados por ferramentas eléctricas com uma manutenção insuficiente.
- f. **Mantenha as ferramentas de corte sempre afiadas e limpas.** As ferramentas de corte sujeitas a uma manutenção adequada, com arestas de corte afiadas, bloqueiam com menos frequência e controlam-se com maior facilidade.
- g. **Utilize a ferramenta eléctrica, acessórios e peças de ferramenta de acordo com estas instruções, considerando as condições de trabalho e o tarefa a ser executada.** A utilização da ferramenta eléctrica para fins diferentes dos previstos pode resultar em situações perigosas.
- h. **Mantenha os punhos e superfícies de preensão secas, limpas e sem óleo e gordura.** Se os punhos e as superfícies de preensão estiverem escorregadios, isso não permite um manuseamento e controlo seguros da ferramenta em situações inesperadas.
5. **Utilização e cuidados a ter com a ferramenta com bateria (apenas para ferramentas com bateria)**
- a. **Recarregue apenas com o carregador especificado pelo fabricante.** Um carregador adequado para um tipo de bateria pode causar um incêndio se for utilizado com outra bateria.
- b. **Utilize ferramentas eléctricas apenas com baterias específicas.** A utilização de outras baterias pode causar ferimentos e incêndio.
- c. **Quando uma bateria não estiver a ser utilizada, mantenha-a afastada de outros objectos metálicos como, por exemplo, cliques, moedas, chaves, pregos, parafusos ou outros pequenos objectos metálicos que possam fazer ligação de um terminal a outro.** O curto-circuito de terminais da bateria pode causar queimaduras ou incêndio.
- d. **Em condições abusivas, pode derramar líquido da bateria, devendo evitar o contacto. Se tocar acidentalmente no líquido, lave bem com água. Se o líquido entrar em contacto com os olhos, consulte um médico.** O líquido derramado da bateria pode causar irritação ou queimaduras.
- e. **Não utilize uma bateria ou uma ferramenta que esteja danificada ou modificada.** As baterias danificadas ou modificadas podem ter um comportamento imprevisível, podendo causar incêndio, explosão ou risco de ferimentos.
- f. **Não exponha a bateria ou a ferramenta ao fogo ou a temperatura excessiva.** A exposição ou uma temperatura superior a 130 °C pode dar origem a uma explosão. NOTA: A temperatura "130 °C" pode ser substituída pela temperatura "265 °F".
- g. **Siga todas as instruções de carregamento e não carregue a bateria ou a ferramenta fora da gama de temperaturas especificadas nas instruções.** Se o carregamento não for efectuado correctamente ou se a temperaturas não estiverem de acordo com o limite especificado, a bateria pode ficar danificada e há um maior risco de incêndio.
6. **Assistência**
- a. **A ferramenta eléctrica deve ser reparada por técnicos qualificados que utilizem apenas peças de substituição iguais.** Desta forma, é garantida a segurança da ferramenta eléctrica.
- b. **Nunca repare baterias danificadas.** A reparação das baterias só deve ser efectuada pelo fabricante ou por fornecedor de serviços autorizado (apenas para ferramentas com bateria).

Avisos de segurança adicionais para ferramentas eléctricas



Atenção! Avisos de segurança adicionais para berbequins

- **Utilize os punhos auxiliares fornecidos com a ferramenta.** A perda de controlo pode causar ferimentos.
- **Segure a ferramenta eléctrica pelas superfícies de preensão isoladas quando executar uma operação em que o acessório de corte possa entrar em contacto com cablagem escondida.** O acessório de corte que entre em contacto com um fio "sob tensão" pode fazer com que as peças de metal expostas da ferramenta eléctrica conduzam electricidade e electrocutem o operador.
- **Fixe bem a ferramenta antes de utilizá-la.** Esta ferramenta produz um binário de saída elevado. Se não fixar bem a ferramenta durante a operação, pode ocorrer perda de controlo e causar ferimentos.
- **Segure a ferramenta eléctrica pelas superfícies de preensão isoladas quando executar uma operação em que o fixador possa entrar em contacto com a cablagem escondida.** Os parafusos que entrem em contacto com um fio sob tensão eléctrica podem fazer com que as peças metálicas expostas da ferramenta conduzam electricidade e electrocutem o utilizador.
- **Utilize grampos ou outro sistema prático para apoiar e fixar a peça numa plataforma estável.** Segurar a peça com a mão ou contra o corpo pode causar instabilidade e perda de controlo.
- Antes de perfurar paredes, tectos ou chãos, verifique a localização de cablagem e tubos.
- Evite tocar na ponta de uma broca logo após a perfuração, uma vez que esta pode estar quente.
- A utilização adequada é descrita neste manual de instruções. A utilização de qualquer acessório ou a realização de qualquer operação com esta ferramenta que não esteja incluída neste manual de instruções pode causar ferimentos e/ou danos materiais.

Instruções de segurança quando utilizar brocas compridas

- **Nunca utilize a ferramenta a uma velocidade mais elevada do que a velocidade nominal máxima da broca.** A velocidades mais elevadas, a broca pode ficar dobrada se rodar livremente sem tocar na peça, podendo causar ferimentos.
- **Inicie sempre a perfuração a uma velocidade reduzida e com a ponta da broca em contacto com a peça.** A velocidades mais elevadas, a broca pode ficar dobrada se rodar livremente sem tocar na peça, podendo causar ferimentos.
- **Aplique pressão apenas em linha recta com a broca e não aplique pressão excessiva.** As brocas podem ficar dobradas e causar rotura ou perda de controlo, bem como ferimentos.

Segurança de terceiros

- Esta ferramenta não deve ser utilizada por pessoas (incluindo crianças) que apresentem capacidades físicas, sensoriais ou mentais reduzidas ou que não possuam os conhecimentos e a experiência necessários, excepto se forem vigiadas e instruídas acerca da utilização da ferramenta por uma pessoa responsável pela sua segurança.
- As crianças devem ser vigiadas para que não mexam no equipamento.

Riscos residuais

Podem surgir riscos residuais adicionais durante a utilização da ferramenta, que podem não constar nos avisos de segurança incluídos. Estes riscos podem resultar de má utilização, uso prolongado, etc.

Mesmo com o cumprimento dos regulamentos de segurança relevantes e a implementação de dispositivos de segurança, alguns riscos residuais podem não ser evitados. Estes incluem:

- Ferimentos causados pelo contacto com peças em rotação/movimento.
- Ferimentos causados durante a substituição de peças, lâminas ou acessórios.
- Ferimentos causados pela utilização prolongada de uma ferramenta. Se utilizar uma ferramenta durante períodos prolongados, faça pausas com regularidade.
- Danos auditivos.
- Problemas de saúde causados pela inalação de poeiras resultantes da utilização da ferramenta (exemplo: trabalhos em madeira, especialmente carvalho, faia e MDF).

Vibração

Os valores de emissão de vibração declarados na secção de dados técnicos e na declaração de conformidade foram medidos de acordo com o método de teste padrão fornecido pela EN 60745 e podem ser utilizados para comparar ferramentas. O valor da emissão de vibração declarado pode ainda ser utilizado numa avaliação preliminar de exposição.

Atenção! O valor da emissão de vibração durante a utilização real da ferramenta eléctrica pode ser diferente do valor declarado, dependendo da forma como a ferramenta é utilizada. O nível de vibração pode aumentar acima do nível indicado.

Quando avaliar a exposição da vibração para determinar as medidas de segurança exigidas pela Directiva 2002/44/CE para proteger pessoas que utilizem regularmente ferramentas eléctricas na sua actividade profissional, deve ser considerada uma estimativa de exposição de vibração, as condições reais de utilização e o modo de utilização da ferramenta, incluindo ainda todas as partes do ciclo de funcionamento, como os períodos de inactividade e espera da ferramenta, além do tempo de funcionamento.

Etiquetas colocadas na ferramenta

A ferramenta apresenta os seguintes símbolos de aviso juntamente com o código de data:



Atenção! Para reduzir o risco de ferimentos, o utilizador deve ler o manual de instruções.

Instruções de segurança adicionais para baterias e carregadores (não fornecidos com a ferramenta)

Baterias

- Nunca abra a bateria, seja qual for o motivo.
- Não exponha a bateria à água.
- Não armazene-as em locais onde a temperatura possa exceder os 40 °C.
- Carregue apenas a temperaturas ambiente entre 10 °C e 40 °C.
- Carregue apenas com o carregador fornecido com a ferramenta.
- Ao eliminar a bateria, siga as instruções indicadas na secção "Protecção do ambiente".



Não carregue baterias danificadas.

Carregadores

- Utilize o carregador BLACK+DECKER apenas para carregar a bateria da ferramenta com a qual foi fornecida. Outras baterias podem rebentar, provocando ferimentos e danos.
- Nunca carregue baterias não recarregáveis.
- Substitua os cabos defeituosos imediatamente.
- Não exponha a bateria à água.
- Não abra o carregador.
- Não manipule o interior do carregador.



O carregador deve ser utilizado apenas em espaços interiores.



Antes da utilização, leia o manual de instruções.

Segurança eléctrica



O carregador tem isolamento duplo. Por esse motivo, não necessita de ligação à terra. Verifique sempre se a tensão de alimentação corresponde à tensão indicada na placa sinalética. Nunca substitua a unidade do carregador por uma tomada de alimentação normal.

- Se o cabo de alimentação estiver danificado, deve ser substituído pelo fabricante ou por um centro de assistência autorizado da BLACK+DECKER para evitar acidentes.

Funcionalidades

Esta ferramenta inclui todas ou parte das seguintes funcionalidades.

1. Botão de velocidade variável
2. Corrediça de avanço/recuo
3. Anel de ajuste do binário
4. Mandril sem chave
5. Alavanca de dupla amplitude

6. Bateria (2 com BCD700S2S)
7. Patilha de libertação da bateria
8. Suporte para as brocas da aparafusadora

Montagem

Utilização

Atenção! Não altere o ritmo de funcionamento da ferramenta. Não sobrecarregue.

Carregar a bateria (Fig. A)

A bateria tem de ser carregada antes da primeira utilização e sempre que não conseguir produzir energia suficiente em trabalhos anteriormente feitos sem dificuldade. A bateria pode aquecer durante o carregamento. Isto é normal e não indica um problema.

Atenção! Não carregue a bateria a temperaturas ambiente inferiores a 10 °C ou superiores a 40 °C. Temperatura de carregamento recomendada: aproximadamente 24 °C.

Nota: O carregador não carrega a bateria se a temperatura das células for inferior a 10 °C ou superior a 40 °C.

A bateria não deve ser retirada do carregador para que este comece a carregar automaticamente quando a temperatura das células aquecer ou arrefecer.

- Ligue o carregador a qualquer tomada eléctrica padrão de 230 volts, 50 Hz.
- Encaixe a bateria dentro no carregador, como indicado na Fig. A.
- O LED verde começa a piscar, o que significa que a bateria está a carregar.
- A conclusão do processo de carregamento é indicada pelo LED verde, que permanece ligado de maneira contínua. A bateria fica totalmente carregada e pode ser utilizada nesta altura ou pode deixá-la no carregador.

Atenção! Risco de incêndio. Quando desligar o carregador da ferramenta, desligue-o primeiro da tomada e depois desligue o cabo do carregador da ferramenta.

Inserir e retirar a bateria da ferramenta (Fig. B)

Atenção! Verifique se o botão de desbloqueio está engatado para impedir a activação do gatilho, antes de retirar ou instalar a bateria.

Instalar a bateria:

- Insira a bateria na ferramenta até ouvir um som de encaixe (Fig. B)

Retirar a bateria da ferramenta (Fig. C)

- Pressione o botão de libertação da bateria, como indicado na (Fig. C) e retire a bateria da ferramenta.

Instruções de funcionamento

Botão de gatilho e recuo

- Para ligar e desligar o berbequim, carregue e liberte o gatilho (1). Quanto maior for a pressão no gatilho, maior será a velocidade do berbequim.
- O botão de controlo de avanço/recuo (2) determina a direcção da ferramenta e serve igualmente como botão de desbloqueio.
- Para seleccionar a rotação de avanço, solte o gatilho e pressione o botão de controlo de avanço/recuo para a esquerda.

- Para seleccionar a rotação de recuo, pressione o botão de controlo de avanço/recuo na direcção oposta.

Nota: A posição central do botão de controlo bloqueia a ferramenta na posição Desligar. Se alterar a posição do botão de controlo, liberte o gatilho.

Controlo do binário (Fig. D)

Esta ferramenta é fornecida com um botão de ajuste de binário (3) para seleccionar o modo de funcionamento e definir o binário para apertar parafusos. Os parafusos grandes e materiais duros requerem uma definição de binário mais elevada do que os parafusos pequenos e materiais mais macios.

- Para perfurar madeira, metal e plásticos, coloque o botão na posição com o símbolo de perfuração
- Para aparafusar, coloque o botão na posição pretendida. Se ainda não souber qual a posição adequada, proceda da seguinte forma:
- Soloque o botão na posição de binário mais baixa.
- Aperte o primeiro parafuso.
- Se o mecanismo forçar antes de atingir o resultado pretendido, aumente a regulação do botão e continue a apertar o parafuso. Repita até atingir a regulação correcta. Utilize esta definição para os parafusos restantes.

Mandril sem chave (Fig. E)

Atenção! Verifique se o botão de desbloqueio está na posição correcta para impedir a activação accidental do gatilho, antes de instalar ou retirar os acessórios.

Para inserir uma broca ou outro acessório:

- Segure na parte posterior do mandril (4) com uma mão e com a outra mão rode a metade dianteira para a esquerda, da perspectiva da extremidade do mandril.
- Insira por completo a broca ou outro acessório no mandril e aperte com firmeza, mantendo pressionada a metade traseira do mandril e rodando a parte dianteira na direcção dos ponteiros do relógio, da perspectiva da extremidade do mandril.

Atenção! Não aperte brocas (ou qualquer outro acessório) segurando a parte frontal do mandril e rodando a ferramenta. Pode danificar o mandril ou causar ferimentos quando substituir acessórios.

Alavanca de dupla amplitude (Figura F)

A função de duas velocidades do berbequim permite mudar de velocidade para uma maior versatilidade. Para seleccionar a velocidade baixa, definição de binário elevado (posição 1), desligue a ferramenta e permita que a mesma pare. Faça deslizar o botão de mudança de velocidade (5) no sentido oposto ao do mandril. Para seleccionar a velocidade elevada, definição de binário baixo (posição 2), desligue a ferramenta e permita que a mesma pare. Faça deslizar o botão de mudança de velocidade na direcção do mandril.

Nota: Não altere a velocidade quando a ferramenta estiver em funcionamento. Se tiver dificuldade em mudar de velocidade, verifique se o botão de mudança de velocidade dupla está totalmente empurrado para a frente ou para trás.

Perfurar/aparafusar

- Selecciona a rotação de avanço ou recuo utilizando a correição de avanço/recuo (2).
- Para ligar a ferramenta, pressione o gatilho (1). A velocidade da ferramenta depende da intensidade da pressão no botão.
- Para desligar a ferramenta, liberte o gatilho.

Sugestões para uma utilização óptima

Perfuração

- Utilize apenas brocas afiadas.
- Apoie e fixe a peça correctamente, de acordo com as instruções de segurança.
- Utilize equipamento de segurança adequado e necessário, de acordo com as instruções de segurança.
- Apoie e fixe a área de trabalho, de acordo com as instruções de segurança.
- Coloque o berbequim a funcionar lentamente, até o furo ser iniciado o suficiente para impedir que a broca deslize.
- Aplique pressão em linha recta com a broca. Aplique pressão suficiente para manter a broca a perfurar e para não encravar o motor ou desviar a broca.
- Segure o berbequim com firmeza, com ambas as mãos, para controlar a sua acção de torção.
- NÃO PRESSIONE O GATILHO DE UM BERBEQUIM BLOQUEADO PARA TENTAR O ARRANQUE. PODEM OCORRER DANOS NO BERBEQUIM.
- Minimize o encravamento na abertura do orifício, reduzindo a pressão e perfurando devagar na última porção do orifício.
- Mantenha o motor em funcionamento enquanto puxa a broca para fora de um orifício efectuado. Isto ajuda a reduzir o encravamento.
- Verifique se o gatilho liga e desliga o berbequim.

Perfurar madeira

Os orifícios na madeira podem ser efectuados com as mesmas brocas utilizadas para perfurar metal ou com brocas espada. Estas brocas devem estar afiadas e devem ser retiradas do orifício frequentemente, quando forem utilizadas para limpar lascas das ranhuras.

Perfurar metal

Utilize um lubrificante de corte para perfuração de metais. As excepções incluem ferro fundido e latão, que devem ser perfurados a seco. Os lubrificantes de corte que obtêm melhores resultados são o óleo de corte sulfurado ou o óleo de banha.

Perfurar pedra

Para perfurar pedra, coloque o botão (3) na posição de perfuração de martelo, alinhando o símbolo com a marca. Deslize o selector de velocidade (5) para a parte da frente da ferramenta (2.ª posição).

Aparafusar

- Utilize sempre o tipo e tamanho correctos de brocas de aparafusadora.

- Se tiver dificuldade em apertar os parafusos, utilize um pouco de detergente ou sabão como lubrificante.
- Segure sempre a ferramenta e a broca da aparafusadora em linha recta com o parafuso

Resolução de problemas

Problema	Causa possível	Possível solução
A unidade não é iniciada.	A bateria não está carregada.	Verifique os requisitos para carregar a bateria
A bateria não carrega.	O carregador não está ligado. A temperatura de ar circundante é demasiado quente ou fria.	Ligue o carregador a uma tomada. O carregador e a bateria devem estar a uma temperatura de ar circundante superior a 45 °C ou inferior a +40,5 °C
A unidade desliga-se de maneira abrupta.	A bateria atingiu o limite térmico máximo. Sem carga. (Para maximizar a duração da bateria, esta foi concebida para desligar-se de maneira abrupta quando a carga ficar esgotada).	Deixe a bateria arrefecer. Instale o carregador e aguarde até o equipamento estar carregado.

Manutenção

A ferramenta BLACK+DECKER foi concebida para funcionar durante muito tempo com um mínimo de manutenção. Uma utilização continuamente satisfatória depende de uma manutenção adequada da ferramenta e de uma limpeza regular. O carregador não necessita de manutenção para além da limpeza regular.



Atenção! Antes de ser realizada qualquer operação de manutenção na ferramenta, retire a bateria da ferramenta. Desligue o carregador antes de o limpar.

- Limpe regularmente as aberturas de ventilação do ferramenta e o carregador com uma escova suave ou um pano seco.
- Limpe regularmente o compartimento do motor com um pano húmido. Não utilize produtos de limpeza abrasivos ou à base de solventes.
- Abra o mandril regularmente e sacuda para remover qualquer vestígio de pó do interior.

Protecção do ambiente



Faça uma recolha de lixo selectiva. Os produtos e baterias assinalados com este símbolo não devem ser eliminados em conjunto com resíduos domésticos normais.

Os produtos e baterias contêm materiais que podem ser recuperados ou reciclados, reduzindo a necessidade de matérias-primas.

Recicle os produtos eléctricos e as baterias de acordo com as

disposições locais. Estão disponíveis mais informações em www.2helpU.com

Dados técnicos

		BCD700S
Tensão	V_{cc}	18
Velocidade sem carga	Min ¹	0-360/0-1400
Binário máx.	Nm	17,5/40
Capacidade do mandril	mm	1-10
Capacidade máx. de perfuração		
Aço/madeira/pedra	mm	10/25/10
Peso	kg	0,90 (1,30 com bateria)

		906214**
Tensão de entrada	V_{ca}	230
Tensão de saída	V_{cc}	18
Corrente	mA	200
Tempo de carga aprox.	Horas	8

		905902**/N4940**
Tensão de entrada	V_{ca}	230
Tensão de saída	V_{cc}	18
Corrente	mA	400
Tempo de carga aprox.	Horas	4

		905998**
Tensão de entrada	V_{ca}	230
Tensão de saída	V_{cc}	18
Corrente	Amp	1
Tempo de carga aprox.	Horas	1,5

		BL1518
Tensão	V_{ca}	18
Capacidade	Ah	1,5
Tipo		lões de lítio

		BL2018
Tensão	V_{ca}	18
Capacidade	Ah	2,0
Tipo		lões de lítio

Bateria		BL4018
Tensão	V_{ca}	18
Capacidade	Ah	4,0
Tipo		lões de lítio

Nível de pressão acústica de acordo com a norma EN 60745:

Pressão acústica (L_{pA}): 88,7 dB(A), variabilidade (K): 3 dB(A)

Potência acústica (L_{WA}): 99,7 dB(A), variabilidade (K): 3 dB(A)

Valores totais de vibração (soma vectores triax) de acordo com a norma EN 60745:

Perfurar com percussão em betão ($a_{h,ISO}$): 14,4 m/s², variabilidade (K): 1,5 m/s²

Perfurar em metal ($a_{h,ISO}$): <2,5 m/s², variabilidade (K): 1,5 m/s²

Apretar parafusos sem percussão (a_h): <2,5 m/s², variabilidade (K): 1,5 m/s²

Declaração de conformidade CE
DIRECTIVA "MÁQUINAS"



BCD700S - Berbequim de percussão

A Black & Decker declara que os produtos descritos nos "dados técnicos" estão em conformidade com: 2006/42/CE, EN 60745-1:1010, EN 60745-2-1:2010

Estes produtos estão também em conformidade com a Diretiva 2004/30/UE e 2011/65/UE. Para obter mais informações, contacte a Black & Decker através da morada indicada abaixo ou consulte o verso do manual.

O signatário é responsável pela compilação do ficheiro técnico e faz esta declaração em nome da Black & Decker.

R. Laverick
Director de Engenharia
Black & Decker Europe, 270 Bath Road, Slough,
Berkshire, SL1 4DX
Reino Unido
19/05/2020

Garantia

A Black & Decker confia na qualidade dos seus produtos e oferece aos clientes uma garantia de 24 meses a partir da data de compra. Esta garantia é um complemento dos seus direitos estabelecidos por lei, não os prejudicando de forma alguma. A garantia é válida nos Estados-membros da União Europeia e nos países-membros da Zona Europeia de Comércio Livre.

Para acionar a garantia, esta deve estar em conformidade com os termos e condições da Black & Decker e terá de apresentar comprovativos de compra ao vendedor ou a um técnico de reparação autorizado.

Os termos e condições da garantia de 2 anos da Black & Decker e a localização do agente de reparação autorizado mais próximo podem ser obtidos na Internet em www.2helpU.com ou contactando uma filial local da Black & Decker, cuja morada está indicada neste manual. Visite o nosso Website www.blackanddecker.co.uk para registar o seu novo produto da Black & Decker e receber actualizações sobre novos produtos e ofertas especiais.

Avsedd användning

Din BLACK+DECKER BCD700S-slagborrmaskin är avsedd för skruvdragning och borring i trä, metall och murverk. Detta verktyg är endast avsett för konsumentbruk.

Säkerhetsinstruktioner

Allmänna säkerhetsanvisningar för elverktyg



Varning! Läs alla säkerhetsvarningar, instruktioner, illustrationer och specifikationer som levereras med detta elverktyg. Underlåtenhet att läsa alla instruktioner som listas här nedan kan resultera i elektrisk stöt, eldsvåda och/eller allvarlig personskada.

Spara alla säkerhetsföreskrifter och anvisningar för framtida bruk. Begreppet "elverktyg" i alla varningar som listas nedan avser nätdrivna elverktyg (med nätsladd) och batteridrivna elverktyg (sladdlösa).

1. Säkerhet på arbetsplatsen


- Håll arbetsområdet rent och ordentligt upplyst.** Belamrade och mörka områden inbjuder till olyckor.
- För att undvika explosionsrisk bör du inte använda elverktyget i omgivningar med brännbara vätskor, gaser eller damm.** Elverktyg skapar gnistor som kan antända damm eller ångor.
- Håll barn och andra personer på betryggande avstånd när du använder elverktyg.** Distractioner kan göra att du förlorar kontrollen.

2. Elsäkerhet

- Elverktygets stickkontakt måste passa i eluttaget.** Modifiera aldrig kontakten på något sätt. Använd inga adapterkontakter tillsammans med jordade elverktyg. Icke modifierade kontakter och passande uttag minskar risken för elektrisk stöt.
- Undvik kroppskontakt med jordade ytor som t.ex. rör, värmeelement, spisar och kylskåp.** Det finns en ökad risk för elektrisk stöt om din kropp är jordansluten eller jordad.
- Skydda elverktyget mot regn och väta.** Vatten som kommer in i ett elverktyg ökar risken för elektrisk stöt.
- Hantera inte nätsladden ovarsamt. Använd aldrig sladden för att bära, dra eller koppla bort elverktyget från uttaget.** Håll sladden borta från värme, olja, skarpa kanter eller rörliga delar. Skadade eller tilltrasslade sladdar ökar risken för elektrisk stöt.
- Använd endast förlängningssladdar som är godkända för utomhusbruk när du arbetar med elverktyg utomhus.** Användning av en sladd som är lämplig för utomhusbruk minskar risken för elektriska stötar.
- Om du måste använda ett elverktyg på en fuktig plats ska du använda jordfelsbrytare.** Användning av en jordfelsbrytare minskar risken för elektrisk stöt.

3. Personlig säkerhet

- Var uppmärksam, se på vad du gör och använd elverktyget med förnuft.** Använd inte ett elverktyg när du är trött eller påverkad av droger, alkohol eller mediciner. Ett ögonblicks ouppmärksamhet när du arbetar med elektriska verktyg kan leda till allvarliga personskador.
 - Använd personlig skyddsutrustning. Använd alltid skyddsglasögon.** Skyddsutrustning såsom skyddsmask, halksäkra säkerhetsskor, skyddshjälm eller hörselskydd som används för lämpliga förhållanden minskar personskador.
 - Undvik oavsiktlig start. Kontrollera att strömbrytaren står i avstängt läge innan du ansluter verktyget till elnätet eller sätter i batteriet, samt innan du tar upp eller bär verktyget.** Att bära elektriska verktyg med fingret på strömbrytaren eller att koppla strömmen till elektriska verktyg när strömbrytaren är på leder till olyckor.
 - Ta bort alla inställningsverktyg och skruvnycklar innan du startar elverktyget.** Ett verktyg eller en nyckel som har lämnats kvar på en roterande del av det elektriska verktyget kan orsaka ropsskador.
 - Böj dig inte för långt. Ha ordentligt fötäste och balans hela tiden.** Detta möjliggör bättre kontroll av elverktyget i oväntade situationer.
 - Klä dig på lämpligt sätt. Bär inte lösa kläder eller smycken. Håll hår och kläder borta från delar i rörelse.** Lösa kläder, smycken eller långt hår kan fastna i rörliga delar.
 - Om elverktyget har utrustning för dammsugning och -uppsamling ska du kontrollera att utrustningen är rätt monterad och används på korrekt sätt.** Användning av dammuppsamling kan minska dammrelaterade risker.
 - Låt inte erfarenheten som uppnås vid frekvent användning av verktyg låta dig bli för självsäker och ignorera verktygsäkerhetsprinciperna.** En oförsiktig handling kan orsaka allvarliga skador under bråkdelen av en sekund.
- #### 4. Användning och skötsel av elverktyg
- Överbelasta inte elverktyget. Använd rätt elverktyg för ditt arbete.** Det korrekta elverktyget gör arbetet bättre och säkrare vid den hastighet för vilket det konstruerades.
 - Använd inte elverktyget om det inte går att starta och stänga av det med strömbrytaren.** Ett elverktyg som inte kan kontrolleras med strömbrytaren är farligt och måste repareras.
 - Ta ur kontakten från strömkällan och/eller batteriet från elverktyget, om det går att ta bort, innan du gör några justeringar, byter tillbehör eller lagrar elverktygen.** Sådana förebyggande säkerhetsåtgärder minskar risken att oavsiktligt starta elverktyget.

- d. Förvara elverktyg utom räckhåll för barn. Låt inte elverktyget användas av personer som inte är vana vid det, eller som inte läst denna bruksanvisning. Elverktyg är farliga i händerna på ovana användare.
- e. Underhåll elverktyg och tillbehör. Kontrollera att rörliga komponenter fungerar felfritt och inte kärvar, att komponenter inte gått sönder eller skadats och inget annat föreligger som kan påverka elverktygets funktion. Om det är skadat, se till att elverktyget blir reparerat före användning. Många olyckor orsakas av dåligt underhållna elektriska verktyg.
- f. Håll skärverktyg vassa och rena. Korrekt underhållna kapverktyg med vassa skär är mindre troliga att de fastnar och är lättare att kontrollera.
- g. Använd elverktyget, tillbehör, insatsverktyg osv. enligt dessa anvisningar och på sätt som föreskrivits för aktuell verktygsmodell. Ta hänsyn till arbetsvillkoren och arbetsmomenten. Användning av elverktyget för andra uppgifter än vad som avsetts kan resultera i farliga situationer.
- h. Håll handtag och greppytor torra, rena och fria från olja och fett. Håll handtag och greppytor förhindrar säker hantering och kontroll av verktyget i oväntade situationer.
5. Batteriverktyg användning och vård (använd endast för batteriverktyg)
- a. Ladda endast med den laddare som rekommenderas av tillverkaren. En laddare som passar en batterityp kan medföra brandrisk om den används ihop med ett annat batteri.
- b. Håll elverktyget endast med batterier som är speciellt avsedda för ändamålet. Användning av andra batteripaket kan utgöra en risk för personskador och brand.
- c. När batteriet inte används ska du hålla det åtskilt från metallföremål som gem, mynt, nycklar, spik, skruvar och andra små metallföremål som kan orsaka kortslutning mellan batteriets poler. Kortslutning av batteripolerna kan leda till brännskador eller eldsvåda.
- d. Under olämpliga förhållanden kan vätska spruta ut från batteriet. Undvik kontakt. Vid oavsiktlig kontakt, spola med vatten. Om vätskan kommer i kontakt med ögonen, sök också läkarhjälp. Vätska som sprutar ur batteriet kan orsaka sveda och brännskador.
- e. Använd inte batteripaketet eller verktyg som är skadade eller modifierade. Skadade eller modifierade batterier kan uppvisa oförutsägbart beteende som kan leda till brand, explosion eller risk för skada.
- f. Utsätt inte batteripaketet eller verktyg för brand eller höga temperaturer. Exponering för brand eller temperatur över 130 °C kan orsaka explosion. NOTERA: Temperaturen "130 °C" kan ersättas med temperaturen "265 °F".
- g. Följ laddningsinstruktionerna och ladda inte batteripaketet eller verktyget utanför det temperaturområde som specificeras i instruktionerna. Om du laddar batteriet felaktigt eller vid temperaturer utanför det angivna området kan det skada batteriet och öka risken för brand.
6. Service
- a. Låt elverktyget endast repareras av kvalificerad fackpersonal och med originalreservdelar. Detta säkerställer att elverktygets säkerhet bibehålls.
- b. Utför aldrig service på skadade batteripaket. Service på batteripaket skall endast utföras av tillverkaren eller auktoriserad servicepersonal (endast för batteriverktyg).
- Ytterligare säkerhetsanvisningar för elverktyg
-  **Varning!** Ytterligare säkerhetsanvisningar för bormaskiner
- Använd de extrahandtag som medföljer verktyget. Tappad kontroll kan orsaka personskador.
 - Håll verktyget i de isolerade greppytorna vid arbete där det skärande tillbehöret riskerar att komma i kontakt med dolda elledningar. Kaptillbehör som kommer i kontakt med en strömförande ledning kan göra att exponerade metalldelar hos elverktyget blir strömförande och kan ge användaren en elstöt.
 - Spänn verktyget ordentligt före användning. Detta verktyg avger ett högt utgångsmoment och om inte verktyget stängs ordentligt under drift kan förlust av kontroll uppstå vilket kan leda till personskador.
 - Håll verktyget i de isolerade greppytorna vid arbete där fästordningen riskerar att komma i kontakt med dolda elledningar. Fästdon som kommer i kontakt med en strömförande ledning kan göra att exponerade metalldelar hos elverktyget blir strömförande och kan ge användaren en elektrisk stöt.
 - Använd klämmor eller något annat praktiskt sätt att stödja arbetsstycket mot ett stabilt underlag. Att hålla arbetsstycket för hand eller mot kroppen är instabilt och kan göra att du förlorar kontrollen.
 - Innan du borrar i väggar, golv eller tak ska du kontrollera var rör eller elledningar finns.
 - Undvik att vidröra spetsen på borret precis efter borring, eftersom den kan bli väldigt varm.
 - Avsedd användning beskrivs i denna bruksanvisning. Om andra tillbehör eller tillsatser används, eller om någon annan åtgärd än de som rekommenderas i den här bruksanvisningen utförs med verktyget, kan personer och/eller egendom ta skada.

Säkerhetsinstruktioner när du använder långa borrar

- **Kör aldrig med högre hastighet än borrbitens maximala hastighet.** Vid högre hastigheter kommer biten troligen att böjas om den får rotera fritt utan att komma i kontakt med arbetsstycket, vilket kan resultera i personskada.
- **Börja alltid borra med låg hastighet och med bitspetsen i kontakt med arbetsstycket.** Vid högre hastigheter kommer biten troligen att böjas om den får rotera fritt utan att komma i kontakt med arbetsstycket, vilket kan resultera i personskada.
- **Tryck endast i direkt linje med biten och applicera inte för högt tryck.** Bits kan böjas och orsaka brott eller förlust av kontroll, vilket kan leda till personskada.

Säkerhet för andra

- Verktuget ska inte användas av personer (inklusive barn) med nedsatt fysisk eller mental förmåga eller bristande erfarenhet och kunskap om de inte får vägledning och övervakas av en person som ansvarar för deras säkerhet.
- Barn ska hållas under uppsikt så att de inte leker med apparaten.

Återstående risker

Ytterligare risker som inte finns med i de bifogade säkerhetsanvisningarna kan uppstå när verktuget används. Dessa risker kan uppstå vid felaktig eller långvarig användning, etc.

Även om alla relevanta säkerhetsanvisningar följs och säkerhetsanordningar används kan vissa ytterligare risker inte undvikas. Dessa omfattar:

- Skador orsakade av att roterande/rörliga delar vidrör.
- Skador som uppstår vid byte av delar, blad eller tillbehör.
- Skador som orsakas av långvarig användning av ett verktyg. Se till att regelbundet ta vilopausar när du använder ett verktyg under en längre period.
- Hörselnedsättning.
- Hälsorisker till följd av inandning av damm när redskapet används (exempel: arbete med trämaterial, särskilt ek, bok och MDF).

Vibrationer

De vibrationsvärden som anges i avsnitten Tekniska data och deklARATIONEN om överensstämmelse har uppmätts i enlighet med en standardtestmetod föreskriven i EN 60745 och kan användas för jämförelse med andra verktyg. Det angivna vibrationsvärdet kan även användas för en preliminär bedömning av exponeringen.

Varning! Vibrationsvärdet under faktisk användning av elverktuget kan skilja sig från det uppgivna värdet beroende på hur verktuget används. Vibrationsnivån kan överstiga den uppgivna nivån.

Vid uppskattningar av exponering för vibrationer i syfte att bedöma vilka säkerhetsåtgärder som är nödvändiga enligt 2002/44/EG för att skydda personer som regelbundet använder elverktyg i arbetet ska man utgå från de faktiska omständigheter under vilka elverktuget används och sättet på vilket det används. Bedömningen ska även ta hänsyn till alla

moment i arbetscykeln, t.ex. när verktuget är avstängt och när det går på tomgång såväl som när det faktiskt används.

Etiketter på verktuget

Följande varningssymboler finns på verktuget, tillsammans med datumkoden:



Varning! Läs bruksanvisningen före användning för att minska risken för personskador.

Ytterligare säkerhetsinstruktioner för batterier och laddare (levereras inte med verktuget)

Batterier

- Försök aldrig öppna batteriet.
- Låt inte batterierna komma i kontakt med vatten.
- Förvara inte på platser där temperaturen kan bli högre än 40 °C.
- Ladda endast vid temperaturer mellan 10 °C och 40 °C.
- Ladda endast med hjälp av laddare som medföljer verktuget.
- Följ instruktionerna som anges i avsnittet "Skydda miljön" när du kastar batterierna.



Försök inte ladda skadade batterier.

Laddare

- Använd endast din BLACK+DECKER laddare för att ladda batteriet i den apparat som den levererades med. Andra batterier kan spricka och orsaka personskador och andra skador.
- Försök aldrig ladda batterier som inte är uppladdningsbara.
- Byt defekta sladdar omgående.
- Låt inte laddaren komma i kontakt med vatten.
- Öppna inte laddaren.
- Gör ingen åverkan på laddaren.



Laddaren är endast avsedd för inomhusbruk.



Läs bruksanvisningen före användning.

Elsäkerhet



Eftersom laddaren är dubbelisolerad behövs ingen jordledare. Kontrollera alltid att nätspänningen överensstämmer med spänningen på typskylten. Försök aldrig byta ut laddaren mot en vanlig nätkontakt.

- Om nätsladden är skadad måste den bytas ut av tillverkaren eller en auktoriserad BLACK+DECKER-verkstad för att undvika farliga situationer.

Funktioner

Detta verktyg har några eller samtliga av följande funktioner.

1. Variabel hastighetskontroll
2. Framåt-/bakåttreglage

3. Vridmomentreglage
4. Snabbchuck
5. Hastighetsväjlare med två lägen
6. Batteri (x2 med BCD700S2S)
7. Batterilåsknapp
8. Bitshållare för skruvdragare

Montering

Användning

Varning! Låt verktyget arbeta i sin egen takt. Överbelasta inte.

Ladda batteriet (bild A)

Batteriet måste laddas innan det används för första gången och sedan varje gång som det inte ger tillräckligt hög effekt för arbeten som annars brukar gå bra. Batteriet kan bli varmt när det laddas, det är normalt och innebär inte att något är fel.

Varning! Ladda inte batteriet om temperaturen i luften är lägre än 10 °C eller högre än 40 °C. Den rekommenderade laddningstemperaturen är cirka 24 °C.

Notera: Laddaren laddar inte batteriet om celltemperaturen är lägre än ungefär 10 °C eller högre än 40 °C.

Batteriet får då sitta kvar i laddaren, som kommer att börja laddningen automatiskt när celltemperaturen har stigit eller sjunkit.

- Koppla in laddaren i ett standarduttag på 230 Volt 50 Hz.
- Sätt i batteripaketet i laddaren såsom visas i figur A.
- Den gröna LED:n blinkar, vilket indikerar att batteriet laddas.
- När laddningen är klar indikeras detta av att den gröna LED:n lyser kontinuerligt. Batteriet är fulladdat och kan nu användas eller lämnas i laddaren.

Varning! Brandrisk. När laddaren kopplas från verktyget, se till att koppla ur laddaren ur vägguttaget först, koppla sedan ifrån laddaren från verktyget.

Montering och borttagning av batteripaketet från verktyget (bild B)

Varning! Innan du sätter i eller tar ut batterierna ska du kontrollera att låsreglaget är i låst läge, så att du inte råkar sätta på verktyget av misstag.

Installera batteripaketet:

- Sätt in batteripaketet i apparaten tills ett hörbart klick hörs (bild B)

Borttagning av batteripaketet från verktyget (bild C)

- Tryck ned batterilåsknappen såsom det visas (bild C) och dra bort batteripaketet från verktyget.

Användaranvisningar

Avtryckare och backknapp

- Borrmaskinen slås på och stängs av genom att genom att trycka på och släppa avtryckaren (1). Ju längre strömbrytaren trycks in desto högre blir borrens hastighet.
- Med framåt-/bakåtknappen (2) väljer man verktygets riktning. Knappen fungerar även som låsknapp.
- För att välja framåt rörelsen släpper du strömbrytaren och flyttar framåt-/bakåtknappen åt vänster.

- För att välja bakåtrörelsen flyttar du framåt-/bakåtknappen åt andra hållet.

Notera: Den mittersta positionen låser verktyget i avstängt läge. Vid byte av position av kontrollknappen se till att avtryckaren är släppt.

Vridmomentkontroll (fig.D)

Detta verktyg är utrustat med en inställningsring (3) för att välja driftläge och inställning av vridmomentet vid skruvdragning. Stora skruvar och dragning av skruvar i hårda material kräver ett högre vridmoment än små skruvar och mjuka material.

- Vid borring i trä, metall och plast vrider du ringen till läget med borsymbolen.
- Vid skruvinfästning vrider du ringen till önskat läge. Om du inte vet vilket läge du ska välja gör du så här:
- Ställ in ringen på det lägsta vridmomentet.
- Dra åt den första skruven.
- Om kopplingen slår ifrån innan önskat resultat är uppnått ökar du ringinställningen och fortsätter att dra åt skruven. Upprepa tills du hittat rätt inställning. Använd denna inställning för de återstående skruvarna.

Nyckelfri chuck (bild E)

Varning! Innan du sätter i eller tar ut batterierna ska du kontrollera att låsreglaget är i låst läge, så att du inte råkar sätta på verktyget av misstag.

Så här monterar du en borrbits eller annat tillbehör:

- Håll i bakre halvan av chucken (4) med en hand och använd den andra handen till att vrida främre halvan motsols (verktyget sett framifrån).
- Flör in bitsen eller annat tillbehör helt i chucken och dra åt ordentligt genom att vrida chucken medurs såsom visas från chuckänden.

Varning! Försök inte sätta fast borrbits (eller något annat tillbehör) genom att gripa tag i främre delen av chucken och sätta igång verktyget. Personskador eller skador på chucken kan uppstå om tillbehör byts på detta sätt.

Hastighetsväjlare med två lägen (fig. F)

Den här bormaskinen har två olika hastighetslägen, vilket gör den mer flexibel. För att välja en låg hastighet och högt vridmoment (position 1), stäng av verktyget och vänta tills det stannat. Skjut tillbaka hastighetsväljarknappen (5) bort från chucken. För att välja en hög hastighet och lågt vridmoment (position 2), stäng av verktyget och vänta tills det stannat. Skjut hastighetsväjlaren framåt mot chucken.

Notera: Flytta inte hastighetsväjlaren när verktyget är påslaget. Om du har problem med att växla, se till att hastighetsväljarknappen är tryckt antingen helt framåt eller helt bakåt.

Borring/skruvdragning

- Välj framåt- eller bakåtgående rörelse genom att använda framåt-/bakåtreglaget (2).
- Starta verktyget genom att trycka på strömbrytaren (1). Verktygets hastighet beror på hur långt du trycker in strömbrytaren.
- Stäng av verktyget genom att släppa upp strömbrytaren.

Tips för optimal användning

Borring

- Använd endast vassa bits.
- Stöd och fäst arbetsstycket ordentligt såsom instrueras i säkerhetsinstruktionerna.
- Använd lämplig och den säkerhetsutrustning som krävs såsom instrueras i säkerhetsinstruktionerna.
- Säkra och håll arbetsområdet såsom instrueras i säkerhetsinstruktionerna.
- Kör borren mycket sakta, använd lätt tryck tills hålet är tillräckligt stort för att hålla kvar borbittsen.
- Tryck i bitsens riktning. Tryck tillräckligt hårt för att bitsen ska borra, men inte så hårt att motorn stannar eller bitsen böjer sig.
- Håll borren ordentligt med båda händerna så att du kan hålla emot verktygets vridande rörelse.
- OM BORREN STANNAR SKA DU INTE FÖRSÖKA STARTA DEN IGEN GENOM ATT TRYCKA IN OCH SLÄPPA STRÖMBRYTAREN UPPREPADE GÅNGER. DETTA KAN SKADA BORRMASKINEN.
- Minska risken för att borren stannar vid genomborring genom att minska trycket och borra sakta den sista biten.
- Låt motorn vara igång medan du drar ut bitsen ur hålet. Då minskar risken för att verktyget kör fast.
- Se till att avtryckaren startar och stänger av bormaskinen.

Borra i trä

Man kan borra i trä med samma borbitts som används för metallborring eller med borrar med sidoskår. Använd välslipade bits och dra ut dem med jämna mellanrum under borringen för att rensa bort spån från spåren.

Borra i metall

Använd smörjolja vid borring i metall. Undantaget är gjutjärn och mässing som bör borraras torrt. Sulfurerad skärolja och isterolja fungerar bäst.

Borra i murverk

Vid borring i murverk vrider du ringen (3) till slagborrläget genom att passa in symbolen med markeringen. Skjut hastighetsväljaren (5) mot främre delen av verktyget (2:a växel).

Skruvdragning

- Använd alltid skruvbits av rätt sort och storlek.
- Om en skruv är svår att dra åt kan du använda lite diskmedel eller tvål som smörjmedel.
- Håll alltid verktyget och skruvbittsen i en rät linje i förhållande till skruven

Felsökning

Problem	Möjlig orsak	Möjlig lösning
Enheten startar inte.	Batteriet är inte laddat.	Kontrollera batteripaketets laddningskrav

Problem	Möjlig orsak	Möjlig lösning
Batteripaketet går inte att ladda.	Laddaren är inte ansluten till elnätet. Omgivande temperatur är för varm eller för kall.	Anslut laddaren till ett fungerande eluttag. Flytta laddaren och batteriet till en plats där temperaturen i den omgivande luften är över 4,5 °C eller under +40,5 °C.
Enheten stängs av plötsligt.	Batteriet har nått dess maximala termiska gräns. Slut på laddning. (För att maximera livslängden på batteripaketet är det designat att stängas av plötsligt när laddningen är slut).	Låt batteripaketet svalna. Placera på laddare och ladda.

Underhåll

Detta BLACK+DECKER-verktyg har konstruerats för att fungera under lång tid med ett minimum av underhåll. Med rätt underhåll och regelbunden rengöring behåller verktyget sin prestanda. Laddaren behöver inget annat underhåll än regelbunden rengöring.



Varning! Ta ut batteriet ur verktyget innan du utför något underhåll på verktyget. Dra ur sladden till laddaren innan du rengör den.

- Rengör regelbundet verktygets luftintag och laddaren med en mjuk borste eller torr trasa.
- Rengör motorhuset med en fuktig trasa. Använd aldrig något slipande eller lösningsmedelsbaserat rengöringsmedel.
- Öppna chucken med jämna mellanrum och knacka på den för att avlägsna damm som sitter på insidan.

Skydda miljön



Separat insamling. Produkter och batterier som är markerade med denna symbol får inte kastas i de vanliga hushållssoporna.

Produkterna och batterierna innehåller material som kan återvinnas eller återanvändas, vilket sänker behovet av råmaterial.

Återvinn elektriska produkter och batterier enligt lokala föreskrifter. Närmare information finns tillgänglig på www.2helpU.com

Tekniska data

		BCD700S
Spänning	V _{cc}	18
Obelastat varvtal	Min·	0-360/0-1400
Max vridmoment	Nm	17,5/40
Chuckkapacitet	mm	1-10

BCD700S		
Maximal borrkapacitet		
Stål/trä/Murverk	mm	10/25/10
Vikt	kg	0,90 (med batteri 1,30)

Laddare 906214**		
Inspänning	V_{ac}	230
Utspänning	V_{dc}	18
Strömstyrka	mA	200
Laddningstid cirka	Timmar	8

Laddare 905902**/ N4940**		
Inspänning	V_{ac}	230
Utspänning	V_{dc}	18
Strömstyrka	mA	400
Laddningstid cirka	Timmar	4

Laddare 905998**		
Inspänning	V_{ac}	230
Utspänning	V_{dc}	18
Strömstyrka	Amp	1
Laddningstid cirka	Timmar	1.5

Batteri BL1518		
Spänning	V_{ac}	18
Kapacitet	Ah	1.5
Typ		Li-jon

Batteri BL2018		
Spänning	V_{ac}	18
Kapacitet	Ah	2.0
Typ		Li-jon

Batteri BL4018		
Spänning	V_{ac}	18
Kapacitet	Ah	4.0
Typ		Li-jon

Ljudtrycksnivå enligt EN 60745:		
Ljudtryck (L_{wa})		88,7 dB(A), osäkerhet (K) 3 dB(A)
Ljudtryck (L_{wmax})		99,7 dB(A), osäkerhet (K) 3 dB(A)

Totala vibrationsvärden (vektorsumman av tre axlar) enligt EN 60745:	
Slagboring (betong) $a_{h,ISO}$	$1,14 \text{ m/s}^2$ (0,15 ms ⁻²)
Borning i metall ($a_{h,c}$)	<2.5 m/s ² , osäkerhet (K) 1.5 m/s ²
Skruvdragnig utan slagfunktion ($a_{h,c}$)	<2.5 m/s ² , osäkerhet (K) 1.5 m/s ²

EG-försäkring om överensstämmelse MASKINDIREKTIVET



BCD700S - Slagborrmaskin

Black & Decker garanterar att produkterna som beskrivs under "Tekniska data" uppfyller: 2006/42/EC, EN 60745-1:1010, EN 60745-2-1:2010

Dessa produkter överensstämmer även med direktiven 2004/30/EU och 2011/65/EU. Mer information får du genom att kontakta Black & Decker på följande adress eller titta i slutet av bruksanvisningen.

Undertecknad är ansvarig för sammanställningen av tekniska data och gör denna försäkring för Black & Decker.

R. Laverick
Engineering Manager
Black & Decker Europe, 270 Bath Road, Slough,
Berkshire, SL1 4DX
Storbritannien
19/05/2020

Garanti

Black & Decker är säkra på kvaliteten hos denna produkt och erbjuder kunder 24 månaders garanti från inköpsdatumet. Denna garanti är ett tillägg till dina lagstadgade rättigheter och påverkar inte dessa på något sätt. Garantin är giltig i de områden som tillhör medlemsstaterna i Europeiska unionen och det europeiska frihandelsområdet.

För yrkande under garantin måste yrkandet vara i enlighet med Black & Deckers villkor och du kommer att behöva skicka in bevis på köpet till försäljaren eller en auktoriserad reparatör.

Villkoren för Black & Deckers 2-åriga garanti och var du hittar din närmaste auktoriserade reparatör kan fås på internet på www.2helpU.com, eller genom att kontakta ditt lokala Black & Decker-kontor på adressen som anges i denna bruksanvisning.

Besök vår webbplats www.blackanddecker.co.uk för att registrera din nya Black & Decker-produkt samt för att få information om nya produkter och specialerbjudanden.

Tiltent bruk

BLACK+DECKER BCD700S -slagdrill er designet for skrutrekkerbruk og for boring i tre, metall og mur. Dette verktøyet er bare ment som et forbrukerverktøy.

Sikkerhetsinstruksjoner

Generelle sikkerhetsadvarsler for elektroverktøy



Advarsel! Les alle sikkerhetsanvisninger, instruksjoner, illustrasjoner og spesifikasjoner som følger dette elektriske verktøyet. Manglende overholdelse av instruksjonene som er listet opp under kan resultere i elektrosjokk, ild og/eller alvorlig skade.

Ta vare på alle advarsler og instruksjoner for fremtidig bruk. Begrepet «elektroverktøy» i advarslene nedenfor gjelder nettdrevet elektroverktøy (med ledning) eller batteridrevet elektroverktøy (uten ledning).

1. Sikkerhet i arbeidsområdet

- Hold arbeidsområdet rent og godt opplyst.** Rotete eller mørke områder er en invitasjon til ulykker.
- Ikke bruk verktøy i eksplosive omgivelser, slik som i nærheten av antenkelige væsker, gasser eller støv.** Elektrisk verktøy skaper gnister som kan antenne støv eller gasser.
- Hold barn og andre personer unna når du bruker et elektroverktøy.** Hvis du blir forstyrret under arbeidet, kan du miste kontrollen.

2. Elektrisk sikkerhet

- Støpselet til elektroverktøy må passe i stikkkontakten. Aldri modifierer støpselet på noen måte.**
Ikke bruk adapterstøpsler til jordede elektriske verktøy. Umodifiserte støpsler og stikkontakter som passer vil redusere risikoen for elektrisk sjokk.
- Unngå kroppskontakt med jordede overflater som rør, radiatorer, komfyrer og kjøleskap.** Det er økt fare for elektrisk støt dersom kroppen din er jordet.
- Hold elektroverktøy unna regn eller fuktighet.** Dersom det kommer vann i et elektroverktøy, øker faren for elektrisk støt.
- Unngå uforvarselig behandling av ledningen. Aldri bruk ledningen til å bære, trekke eller dra ut støpselet til det elektriske verktøyet.** Hold ledningen borte fra varme, olje, skarpe kanter eller bevegelige deler. Skadede eller innviklede ledninger øker risikoen for elektrisk sjokk.
- Når du bruker et elektroverktøy utendørs, må du bruke en skjøteledning som er egnet for utendørs bruk.** Når du bruker en skjøteledning som er egnet for utendørs bruk, reduseres risikoen for elektrisk støt.
- Dersom bruk av et elektrisk verktøy på et fuktig sted er uunngåelig, bruk en strømkilde med jordfeilbryter (RCD).** Bruk av jordfeilbryter (RCD) reduserer risikoen for elektrisk støt.

3. Personlig sikkerhet

- Vær oppmerksom, pass på hva du gjør, og vis fornuft når du arbeider med et elektroverktøy. Ikke bruk et elektrisk verktøy dersom du er trøtt eller er påvirket av medikamenter, narkotika eller alkohol.** Ett øyeblikks uoppmerksomhet under bruk av elektriske verktøy kan føre til alvorlig personskade.
 - Bruk personlig verneutstyr. Bruk alltid vernebriller.** Verneutstyr slik som støvmaske, sklisliske vernesko, hjelm, eller hørselsvern brukt under passende forhold vil redusere personskader.
 - Unngå utilsiktet oppstart. Kontroller at bryteren står i posisjon «av» før du kobler til strømkilden og/eller batteripakken, og før du tar opp eller bærer verktøyet.** Å bære elektriske verktøy med fingeren på bryteren eller å sette inn støpselet mens elektriske verktøy har bryteren på øker faren for ulykker.
 - Fjern eventuelle justeringsnøkler før du slår på det elektriske verktøyet.** En nøkkel som er festet til en roterende del av det elektriske verktøyet kan føre til personskade.
 - Ikke strekk deg for langt. Ha godt fotfeste og stå støtt hele tiden.** Dette fører til at du har bedre kontroll over det elektriske verktøyet ved uventede situasjoner.
 - Bruk egnet antrekk. Ikke ha på deg løstsittende klær eller smykker. Hold hår og klær borte fra bevegelige deler.** Løstsittende klær, smykker og langt hår kan bli fanget opp av bevegelige deler.
 - Hvis det kan monteres støvavsug- og oppsamlingsinnretninger, må du forvisse deg om at disse er tilkoblet og brukes på riktig måte.** Bruk av støvoppsamlere kan redusere støvrelaterte farer.
 - Ikke la erfaring med hyppig bruk av verktøy la deg bli likegyldig og ignorere verktøyet sikkerhetsregler.** En uforsiktig handling kan føre til alvorlig personskade på brøkdelen av et sekund.
- #### 4. Bruk og vedlikehold av elektriske verktøy
- Ikke bruk makt på elektroverktøyet. Bruk det elektriske verktøyet som situasjonen krever.** Det riktige elektriske verktøyet vil gjøre jobben bedre og tryggere ved den hastigheten det ble konstruert for.
 - Ikke bruk elektroverktøyet hvis du ikke kan slå det på og av med bryteren.** Ethvert elektrisk verktøy som ikke kan kontrolleres med bryteren er farlig og må repareres.
 - Trekk støpselet ut av stikkkontakten og/eller koble fra batteripakken, hvis den er avtakbar, fra elektroverktøyet før du foretar noen justeringer, endrer tilbehør eller lagrer elektroverktøy.** Slike preventive sikkerhetsforanstaltninger reduserer risikoen for å starte det elektriske verktøyet ved et uhell.

- d. **Elektroverktøy som ikke er i bruk, må oppbevares utilgjengelig for barn. Ikke la verktøyet bli brukt av personer som ikke er fortrolig med det, eller som ikke har lest denne bruksanvisningen.** Elektriske verktøy er farlige i hendene på utrenede brukere.
- e. **Sørg for vedlikehold av elektroverktøy og tilbehør. Undersøk om bevegelige deler er feiljustert eller blokkert, om deler er skadet, og om det er andre forhold som kan påvirke elektroverktøets funksjon. Dersom det er skadet, få verktøyet reparert før neste bruk.** Mange ulykker forårsakes av dårlig vedlikeholdte verktøy.
- f. **Hold skjæreverktøy skarpe og rene.** Godt vedlikeholdte skjæreverktøy med skarpe skjærekanter setter seg mindre sannsynlig fast og er lettere å kontrollere.
- g. **Bruk elektroverktøy, tilbehør, bits osv. i henhold til disse instruksjonene. Ta hensyn til arbeidsforholdene og arbeidet som skal utføres.** Bruk av det elektriske verktøyet for oppgaver som er forskjellige fra de som er tiltenkt kan føre til en farlig situasjon.
- h. **Hold håndtak og gripeflater tørre, rene og frie for olje og fett.** Glatte håndtak og gripeflater forhindrer trygg håndtering og kontroll av verktøyet i uventede situasjoner.
5. **Bruk og stell av batteriverktøy (kun for batteriverktøy)**
- a. **Skal kun lades opp ved hjelp av batteriladere spesifisert av produsenten.** En lader som passer for en type batteripakke kan føre til risiko for brann dersom den brukes på en annen batteripakke.
- b. **Bruk elektroverktøy bare med spesifikt angitte batteripakker.** Bruk av andre batteripakker kan føre til risiko for personskade og brann.
- c. **Når batteripakken ikke er i bruk, må du oppbevare den atskilt fra andre metallgjenstander som binders, mynter, nøkler, spiker, skruer eller andre små metallgjenstander som kan opprette en forbindelse fra en terminal til en annen.** Kortslutning av batteripolene mot hverandre kan føre til brannskader eller brann.
- d. **Ved feilaktig bruk kan det komme væske ut av batteriet, unngå kontakt med den. Dersom du kommer i kontakt med den, skyll av med vann. Dersom du får væsken i øynene, søk legehjelp.** Væske som kommer ut av batteriet kan føre til irritasjon eller brannskader.
- e. **Batteripakke eller verktøy som er skadet eller modifisert skal ikke brukes.** Batterier som er skadet eller modifisert kan ha uventet oppførsel og føre til brann, eksplosjon eller personskader.

- f. **Batteripakken skal ikke utsettes for brann eller for høy temperatur.** Eksponering for brann eller temperaturer over 130 °C kan føre til eksplosjon. MERK: Temperaturen "130 °C" kan erstattes av temperaturen "265 °F".
- g. **Følg alle ladeinstrukser og ikke lade batteripakken eller verktøyet utenfor temperaturområdet som angitt i bruksanvisningen.** Feil lading eller ved temperaturer utenfor det angitt området kan skade batteriet og øke faren for brann.

6. Service

- a. **Elektroverktøy skal alltid repareres av kvalifisert personell og bare med originale reservedeler.** Dette vil sikre at verktøets sikkerhet blir ivarettatt.
- b. **Skadede batteripakker skal aldri repareres.** Service på batteripakker skal kun utføres av produsenten eller autoriserte serviceverksteder (kun for batteriverktøy).

Ytterligere sikkerhetsadvarsler for elektroverktøy



Advarsel! Ytterligere sikkerhetsadvarsler for boremaskiner

- **Bruk hjelpehåndtak som følger med verktøyet.** Å miste kontroll kan forårsake personskade.
- **Hold elektroverktøyet i de isolerte håndtakene når du utfører et arbeid der skjæretilbehøret kan komme i kontakt med skjulte ledninger.** Hvis skjæretilbehøret kommer i kontakt med en strømførende ledning, kan frittliggende metalldeleer på verktøyet bli strømførende, og brukeren kan få elektrisk støt.
- **Hold verktøyet ordentlig fast før bruk.** Dette verktøyet produserer et høyt kraftmoment, og hvis du ikke fester det ordentlig, kan du miste kontroll over verktøyet og under bruk, som kan føre til personskade.
- **Hold elektroverktøyet i de isolerte håndtakene når du utfører et arbeid der skjæretilbehøret kan komme i kontakt med skjulte ledninger.** Skruer som kommer i kontakt med en strømførende ledning kan føre til at eksponerte metalldeleer på elektroverktøyet blir strømførende, og kan gi brukeren støt.
- **Bruk tvinger eller annen praktisk måte å sikre og holde arbeidsstykket på et stabilt underlag.** Å holde arbeidsstykket i hendene eller mot kroppen er ustabil og kan føre til at du mister kontroll.
- Før du borer i vegger, gulv eller tak, må du kontrollere plasseringen av kabler og rør.
- Unngå å komme i berøring med spissen på et bor rett etter boring, da den kan være varm.
- Bruksområdet er beskrevet i denne bruksanvisningen. Hvis du bruker annet tilbehør, kobler til annet utstyr eller bruker dette produktet til andre oppgaver enn det som er anbefalt i denne håndboken, kan det medføre fare for personskader og/eller skade på eiendom.

Andre personers sikkerhet

- Det er ikke meningen at dette verktøyet skal brukes av personer (inkludert barn) med reduserte fysiske, sansemessige eller mentale evner, eller som mangler erfaring og kunnskap, med mindre de har fått oppfølging eller instruksjon når det gjelder bruken av apparatet, fra en person som er ansvarlig for deres sikkerhet.
- Barn må holdes under oppsyn, sørg for at de ikke leker med apparatet.

Restrisikoer

Når verktøyet brukes, kan det oppstå ytterligere risikoer som kanskje ikke er beskrevet i de medfølgende sikkerhetsadvarslene. Disse risikoene kan bli forårsaket av feil bruk, langvarig bruk osv.

Selv om de relevante sikkerhetsbestemmelsene blir fulgt, og sikkerhetstiltakene blir gjennomført, kan visse gjenværende risikoer ikke unngås. Disse inkluderer:

- Personskader som forårsakes av berøring av en roterende/bevegelig del.
- Personskader som forårsakes av at en del, et blad eller tilbehør endres.
- Personskader som forårsakes av langvarig bruk av et verktøy. Når du bruker et verktøy i lange perioder, må du sørge for å ta regelmessige pauser.
- Hørselskader.
- Helsefarer som skyldes innånding av støv som dannes når du bruker verktøyet (for eksempel under arbeid med tre, spesielt eik, bøk og MDF.)

Vibrasjon

Vibrasjonsemisjonsverdien som er angitt under tekniske data og samsvarserklæring, er blitt målt i henhold til en standard testmetode som er angitt i EN 60745, og kan brukes til å sammenligne et verktøy med et annet. Den oppgitte vibrasjonsemisjonsverdien kan også brukes til en foreløpig vurdering av eksponering.

Advarsel! Vibrasjonsemisjonsverdien under faktisk bruk av elektroverktøyet kan avvike fra den oppgitte verdien avhengig av måten verktøyet blir brukt på. Vibrasjonsnivået kan øke over nivået som er oppgitt.

Under vurdering av vibrasjonseksponering for å bestemme sikkerhetstiltak som kreves i 2002/44/EF for å beskytte personer som bruker elektroverktøy regelmessig i arbeidet, skal det tas hensyn til de faktiske bruksforholdene og måten verktøyet blir brukt på. Dette gjelder alle deler av brukssyklusen – også de gangene verktøyet er slått av, når det går på tomgang, samt tiden utløseren er inne.

Etiketter på verktøyet

Følgende advarselssymboler vises på verktøyet sammen med datokoden:



Advarsel! Brukeren må lese håndboken for å redusere risikoen for personskade.

Ytterligere sikkerhetsinstruksjoner for batterier og ladere (følger ikke med verktøyet)

Batterier

- Forsøk aldri å åpne av noen årsak.
- Ikke utsett batteriene for vann.
- Oppbevar ikke på steder der temperaturen kan overskride 40 °C.
- Lad bare ved temperaturer mellom 10°C og 40°C.
- Bruk bare laderen som følger med apparatet.
- Følg instruksene som finnes i avsnittet "Miljø" når du skal kaste batterier.



Ikke forsøk å lade opp skadede batterier.

Ladere

- Bruk bare BLACK+DECKER-laderen til å lade batteriet i apparatet som laderen ble levert sammen med. Andre batterier kan sprekke og føre til personskade og materiell skade.
- Prøv aldri å lade ikke-oppladbare batterier.
- Skift ut defekte ledninger umiddelbart.
- Ikke utsett laderen for vann.
- Ikke åpne laderen.
- Ikke stikk noe inn i laderen.



Laderen er bare beregnet for innendørs bruk.



Les denne håndboken før bruk.

Elektrisk sikkerhet



Denne laderen er dobbeltisolert. Jording er derfor ikke nødvendig. Kontroller alltid at nettspenningen er i overensstemmelse med spenningen på typeskiltet. Ikke skift ut laderen med et vanlig nettstøpsel.

- Hvis strømledningen blir skadet, må den byttes av produsenten eller et autorisert BLACK+DECKER-servicesenter for å unngå fare.

Funksjoner

Dette verktøyet har noen av eller alle følgende egenskaper.

1. Bryter for variabel hastighet
2. Glidebryter for fremover/bakover
3. Momentjusteringskrage
4. Nøkkelløs chock
5. Gir med to områder
6. Batteri (x2 med BCD700S2S)
7. Batteriutløserknappen
8. Skrutrekker bitholder

Montering

Bruk

Advarsel! La verktøyet arbeide i sin egen hastighet. Må ikke overbelastes.

Lading av batteriet (figur A)

Batteriet må lades før første gang det brukes, og hver gang det ikke lenger gir nok strøm til oppgaver som tidligere ble utført uten problemer. Batteriet kan bli varmt under lading. Dette er normalt og innebærer ikke feil.

Advarsel! Ikke lad batteriet ved omgivelsestemperaturer under 10 °C eller over 40 °C. Anbefalt ladetemperatur er ca. 24 °C.

Merk: Laderen vil ikke lade et batteri hvis celletemperaturen er under ca. 10 °C eller over 40 °C.

Du bør la batteriet stå i laderen. Laderen begynner å lade automatisk når celletemperaturen blir høyere eller lavere.

- Plugg laderen inn i enhver standard 230 volt 50 Hz stikkontakt.
- Sett batteripakken inn i laderen som vist i på figur A.
- Det grønne LED-lyset blinker for å varsle om at batteriet lades.
- Fullført lading vises ved at den grønne LED-en er på. Pakken er da fullt oppladet og kan brukes, eller den kan bli stående i laderen.

Advarsel! Brannfare. Når du kobler fra laderen fra verktøyet, forsikre deg om at laderen er tatt ut av stikkkontakten først, deretter kobler du fra laderkabelen fra verktøyet.

Sette inn og ta av batteripakke på verktøyet (figur B)

Advarsel! Pass på at låsekappen er i bruk for å hindre utilsikket aktivering av bryteren før du tar ut eller setter inn et batteri.

Installere batteripakken:

- Sett batteripakken inn i verktøyet til du hører et klikk når det går i lås (figur B)

Ta av batteripakken på verktøyet (figur C)

- Trykk på batteriutløserknappen som vist på (figur C) og dra batteripakken ut av verktøyet.

Bruksanvisning

Avtrekksbryter & reversknapp

- Boremaskinen skrur PÅ og AV ved å dra og slippe avtrekksbryteren (1). Jo mer avtrekker-bryteren trykkes, desto fortere går boremaskinen.
- En kontrollknapp (2) for fremover/bakover bestemmer retningen på verktøyet og tjener også som låseknapp.
- Når du velger rotasjon fremover, utløser du utløserbryteren og beveger kontrollknappen for fremover/bakover til venstre.
- Når du velger rotasjon bakover, beveger du kontrollknappen i motsatt retning.

Merk: Når kontrollknappen står i midten er verktøyet låst. Når du skifter kontrollknappens posisjon, påse at avtrekksbryteren er sluppet.

Dreiemomentkontroll (figur D)

Dette verktøyet er utstyrt med en mansjett (3) for å velge bruksmodus og stille inn moment for å skru til skruer. Store skruer og arbeidsstykker i harde materialer krever høyere moment er små skruer og arbeidsstykker med bløte materialer.

- For boring i tre, metall og plast stilles mansjettten i stillingen med boresymbol
- Når verktøyet brukes som skrutrekker, settes mansjettten i ønsket stilling. Hvis du ikke vet hva som er riktig innstilling ennå, gå du frem slik:
- Sett mansjettten i stillingen for laveste moment.
- Stram den første skruen.
- Hvis koblingen lager en klikkelyd før du oppnår ønsket resultat, øker du mansjettinnstillingen og fortsetter å stramme skruen. Gjenta til du når korrekt innstilling. Bruk denne innstillingen for de gjenværende skruene.

Nøkkelfri chuck (figur E)

Advarsel! Pass på at låsekappen er i bruk for å hindre utilsikket aktivering av bryteren før du tar ut eller setter inn et batteri.

Slik setter du inn et bor eller annet tilbehør:

- Hold den bakre havdelen av chucken (4) med én hånd, og bruk den andre hånden til å dreie den fremre halvdelens mot klokken som sett fra chucksiden.
- Sett boret eller annet tilbehør helt inn i chucken og fest godt ved å holde den bakre delen av chucken og rotere frontdelen med klokken som sett fra chucksiden.

Advarsel! Ikke forsøk å stramme bor (eller annet tilbehør) ved å gripe rundt fronten av chucken og deretter slå på verktøyet. Det kan oppstå skade på chucken og personskaade når tilbehør skiftes.

Gir med to områder (figur F)

To-område funksjonen gjør det mulig å skifte gir og gir dermed større fleksibilitet. Når du skal velge høy hastighet og lavt dreiemoment (posisjon 1), skrur du verktøyet av og venter til det stopper. Skyv girskifterknappen (5) bort fra chucken. Når du skal velge høy hastighet og lavt dreiemoment (posisjon 2), skrur du verktøyet av og venter til det stopper. Skyv girskifterknappen mot chucken.

Merk: Ikke skift gir når verktøyet er i gang. Dersom du har problemer med å skifte gir, pass på at to-trinns girskifter er skjøvet enten helt forover eller helt bakover.

Boring/skrutrekking

- Velg rotasjon fremover eller bakover med glidebryteren for fremover/bakover (2).
- Trykk på bryteren (1) for å slå verktøyet på. Hastigheten til verktøyet avhenger av hvor langt inn du trykker bryteren.
- Slipp bryteren for å slå verktøyet av.

Råd for optimal bruk

Boring

- Bruk kun skarpe drillbits.
- Støtt opp og fest arbeidsstykket godt, som angitt i sikkerhetsanvisningene.
- Bruk riktig og påkrevd sikkerhetsutstyr som anvist i sikkerhetsinstruksjonene.
- Sikre og vedlikehold arbeidsområdet som beskrevet i sikkerhetsinstruksjonen.
- Kjør maskinen svært langsomt til hullet er dypt nok til å holde drillbiten fra å skli ut.

- Trykk i rett linje med boret. Bruk nok trykk til at boret biter, men ikke så mye at motoren stanser eller at boret skifter retning.
- Hold drillen fast med begge hender for å kontrollere vridningen.
- IKKE KLIKK MED BRYTEREN PÅ ET FASTKJØRT VERKTØY PÅ OG AV FOR Å FORSØKE Å STARTE DET. BOREMASKINEN KAN BLI SKADET.
- Reduser blokkering til et minimum ved gjennombrudd ved å redusere trykket og bore langsomt gjennom den siste delen av hullet.
- Hold motoren i gang mens du trekker boret ut av det borede hullet. Dette vil bidra til å redusere fastkjøring.
- Forsikre deg om at bryteren slår drillen på og av.

Boring i tre

Hull i tre kan bores med de samme spiralborene som brukes til metall, eller med flate bor. Disse borene bør være skarpe og bør trekkes ut ofte under boringen så spon kan fjernes fra furene i boret.

Boring i metall

Bruk et en skjærvæske for smøring ved boring i metall.

Unntak er støpejern og messing som bør bores tørt.

Smøremidlene som virker best, er svovelholdig skjæreolje eller fetolje.

Bore i mur

For boring i mur setter du mansjetten (3) i slagboringsposisjonen ved å plassere symbolet på linje med merket.

Skyv hastighetsvelgeren (5) mot forsiden av verktøyet (2. gir).

Bruk som skrutrekker

- Bruk alltid riktig type og størrelse av skrutrekkerbit.
- Hvis skruer er vanskelige å stramme, prøv du å bruke litt flytende vaskemiddel eller såpe som smøremiddel.
- Hold alltid verktøyet og skrutrekkerbiten i rett linje med skruen

Feilsøking

Problem	Mulig årsak	Mulig løsning
Enheten starter ikke.	Batteripakken er ikke ladet.	Kontroller kravene til lading av batteripakken
Batteripakken blir ikke ladet.	Laderen er ikke satt i stikkontakten.	Sett laderen i en stikkontakt som virker.
	Omgivelsestemperaturen er for varm eller kald.	Flytt laderen og batteriet til et sted med lufttemperatur over 40 grader F (4,5 °C) eller under 105 grader F (+40,5 °C*)
Enheten stopper brått.	Batteripakken har nådd sin maksimale temperaturgrense.	La batteripakken kjøle seg ned.
	Ikke oppladet. (For å få lengst mulig levetid på batteriet, er batteripakken designet for å slå seg av straks den er utladet)	Sett i laderen og la den lade seg opp.

Vedlikehold

BLACK+DECKER-verktøyet ditt er konstruert for å være i drift over lengre tid med et minimum av vedlikehold. For at det skal fungere tilfredsstillende over tid, er det viktig å sørge for riktig stell av verktøyet og regelmessig renhold.

Laderen krever ikke annet vedlikehold enn regelmessig rengjøring.



Advarsel! For du utfører vedlikehold på verktøyet, må du fjerne batteriet fra verktøyet. Trekk ut laderen fra stikkontakten før du rengjør den.

- Rengjør ventilasjonsåpningene i verktøyet og laderen med en myk børste eller tørr klut.
- Rengjør motorhuset regelmessig med en fuktig klut. Ikke bruk slipende eller løsemiddelbaserte rengjøringsmidler.
- Åpne borelåsen regelmessig, og bank på den for å fjerne eventuelt støv fra innsiden.

Miljøvern



Separat avfallshåndtering. Produkter og batterier merket med dette symbolet skal ikke kastes i vanlig husholdningsavfall.

Produkter og batterier inneholder materialer som kan gjenbrukes eller gjenvinnes for å redusere behovet for nye råmaterialer.

Vennligst lever elektrisk utstyr og batterier til gjenbruk i henhold til lokale retningslinjer. Mer informasjon finner du på www.2helpU.com

Tekniske data

		BCD700S
Spenning	V _{ac}	18
Ubelastet hastighet	Min ¹	0-360/0-1400
Maks. dreiemoment	Nm	17,5/40
Chuck kapasitet	mm	1-10
Maksimal borekapasitet		
Ståltre/mur	mm	10/25/10
Vekt	kg	0,90 (med batteri 1,30)

		906214**
Inngangsspenning	V _{ac}	230
Utgangsspenning	V _{ac}	18
Strøm	mA	200
Omtrentlig ladetid	Timer	8

EF-samsvarserklæring

MASKINDIREKTIVET



BCD700S - Slagdrill

Black & Decker erklærer at disse produktene, som er beskrevet under «Tekniske data», er i samsvar med: 2006/42/EC, EN 60745-1:1010, EN 60745-2-1:2010

Disse produktene er også i samsvar med direktiv 2004/30/EU og 2011/65/EU. Hvis du ønsker mer informasjon, kan du kontakte Black & Decker på adressen under eller se baksiden av bruksanvisningen.

Undertegnede er ansvarlig for utarbeidelsen av den tekniske dokumentasjonen og gir denne erklæringen på vegne av Black & Decker.

R. Laverick
Engineering Manager
Black & Decker Europe, 270 Bath Road, Slough,
Berkshire, SL1 4DX
Storbritannia
19/05/2020

Garanti

Black & Decker er trygg på kvaliteten av produktene sine og tilbyr en 24 måneders garanti fra kjøpsdato. Denne garantierklæringen kommer i tillegg til dine lovbestemte rettigheter og er ikke i konflikt med disse. Garantien er gyldig innen områdene tilhørende medlemslandene i den Europeiske Union (EU) og det Europeiske Frihandelsområdet (EFTA).

For å ta garantien i bruk må kravet være i samsvar med kjøpsbetingelsene fra Black&Decker, og du må vise kjøpskvittering til forhandleren eller til et autorisert serviceverksted.

Betingelsene for Black & Deckers 2 års garanti og adressen til din nærmeste autoriserte serviceverksted kan du finne på internett under www.2helpU.com, eller ved å kontakte ditt lokale Black & Decker-kontor på adressen angitt i denne bruksanvisningen.

Besøk våre nettsider på www.blackanddecker.co.uk to å registrere ditt nye Black & Decker-produkt og for å få informasjon om nye produkter og spesialtilbud.

Lader	905902** / N4940**	
Inngangsspenning	V_{ac}	230
Utgangsspenning	V_{ac}	18
Strøm	mA	400
Omtrentlig ladetid	Timer	4

Lader	905998**	
Inngangsspenning	V_{ac}	230
Utgangsspenning	V_{ac}	18
Strøm	Amp	1
Omtrentlig ladetid	Timer	1,5

Batteri	BL1518	
Spennning	V_{ac}	18
Kapasitet	Ah	1,5
Type	Li-Ion	

Batteri	BL2018	
Spennning	V_{ac}	18
Kapasitet	Ah	2,0
Type	Li-Ion	

Batteri	BL4018	
Spennning	V_{ac}	18
Kapasitet	Ah	4,0
Type	Li-Ion	

Lydtrykknivå i henhold til EN 60745:
Lydtrykk (L_{w}) 88,7 dB(A), usikkerhet (K) 3 dB(A)
Lydeffekt (L_{w}) 99,7 dB(A), usikkerhet (K) 3 dB(A)

Totale vibrasjonsverdier (triaks vektorsum) bestemt i samsvar med EN 60745:
Slagboring i betong (a_{hD}) 14,4 m/s ² , usikkerhet (K) 1,5 m/s ²
Boring i metall (a_{h}) <2,5 m/s ² , usikkerhet (K) 1,5 m/s ²
Skruing uten slag (a_r) 2,5 m/s ² , usikkerhet (K) 1,5 m/s ²

Tilsigtet brug

Din BLACK+DECKER BCD700S - slagbor er designet til skruoopgaver samt til boring i træ, metal og murværk. Værktøjet er kun beregnet til privat brug.

Sikkerhedsinstruktioner

Generelle sikkerhedsadvarsler vedrørende elværktøj



Advarsel! Læs alle sikkerhedsadvarsler, instruktioner, illustrationer og specifikationer, der følger med dette elværktøj. Manglende overholdelse af alle nedenstående instruktioner kan medføre elektrisk stød, brand og/eller alvorlige kvæstelser.

Gem alle advarsler og instruktioner til fremtidig reference.

Begrebet "elværktøj", der benyttes i nedenstående advarsler, henviser til netdrevne (med netledning) eller batteridrevne maskiner (uden netledning).

1. Sikkerhed i arbejdsområdet

- Sørg for, at arbejdsområdet er rent og godt oplyst.** Rodede eller mørke områder giver anledning til ulykker.
- Brug ikke elværktøj i eksplosive omgivelser, f.eks. hvor der er brændbare væsker, gasser eller støv.** Elværktøj danner gnister, der kan antænde støv eller dampe.
- Hold børn og andre personer på afstand, når et elværktøj er i brug.** Distractioner kan medføre, at du mister kontrollen.


2. Elektricitet og sikkerhed

- Elværktøjsstik skal passe til stikkontakten. Stikket må aldrig modificeres på nogen måde.** Undlad at bruge adapterstik sammen med (jordforbundet) elektrisk værktøj. Umodificerede stik og dertil passende stikkontakter reducerer risikoen for elektrisk stød.
- Undgå kropskontakt med jordforbundne overflader som f.eks. rør, radiatorer, komfurer og køleskabe.** Der er øget risiko for elektrisk stød, hvis din krop er jordforbundet.
- Elværktøj må ikke udsættes for regn eller fugt.** Hvis der trænger vand ind i et elektrisk værktøj, øges risikoen for elektrisk stød.
- Ødelæg ikke ledningen. Brug aldrig ledningen til at bære, trække værktøjet eller trække det ud af stikkontakten. Hold ledningen borte fra varme, olie, skarpe kanter og bevægelige dele.** Beskadigede eller sammenfiltrede ledninger øger risikoen for elektrisk stød.
- Hvis elværktøj benyttes i det fri, skal der benyttes en forlængerledning, som er godkendt til udendørs brug.** Brug af en ledning, der er egnet til udendørs brug, reducerer risikoen for elektrisk stød.

- Brug en strømkilde med fejlstrømsbeskyttelse, hvis det er uundgåeligt at anvende elværktøj på fugtige steder.** Ved at benytte en fejlstrømsafbryder reduceres risikoen for elektrisk stød.

3. Personssikkerhed

- Vær opmærksom, hold øje med, hvad du laver, og brug elværktøjet fornuftigt.** Betjen ikke værktøjet, hvis du er træt, påvirket af narkotika, alkohol eller medicin. Et øjeblik uopmærksomhed under anvendelse af et elektrisk værktøj kan forårsage alvorlige kvæstelser.
 - Anvend personligt beskyttelsesudstyr. Bær altid beskyttelsesbriller.** Det er muligt at reducere risikoen for kvæstelser ved alt efter omstændighederne at anvende det passende sikkerhedsudstyr såsom en støvmaske, skridsikre sikkerhedssko, sikkerhedshjelm eller høreværn.
 - Sørg for, at værktøjet ikke kan starte utilsigtet. Kontrollér, at afbryderkontakten står på slukket, inden værktøjet tilsluttes strømkilden og/eller batteriet, samles op eller bæres.** Når elektrisk værktøj bæres med fingeren på kontakten eller tilsluttes, når kontakten er tændt, giver det anledning til ulykker.
 - Fjern indstillingsværktøj eller skruenøgle, inden elværktøjet tændes.** En skruenøgle eller anden nøgle, der bliver siddende på en roterende del af elektrisk værktøj, kan give anledning til personskaade.
 - Undlad at række for langt. Hold hele tiden en god fodstilling og balance.** Dette udgør at du har bedre kontrol over det elektriske værktøj, når uventede situationer opstår.
 - Bær hensigtsmæssig påklædning. Bær ikke løst tøj eller smykker. Hold dit hår og tøj væk fra bevægelige dele.** Løstsiddende tøj, smykker eller langt hår kan blive fanget i bevægelige dele.
 - Hvis støvudsugnings- og opsamlingsudstyr kan monteres, er det vigtigt, at dette tilsluttes og benyttes korrekt.** Anvendelse af støvopsamlingsudstyr kan begrænse farer forårsaget af støv.
 - Lad ikke kendskab fra hyppig brug af værktøjer gøre dig uforsigtig og få dig til at ignorere principperne for værktøjssikkerhed.** En uforsigtig handling kan forårsage alvorlig personskaade på en brøkdæl af et sekund.
- #### 4. Brug og vedligeholdelse af elværktøj
- Undgå at overbelaste elværktøjet. Brug det elværktøj, der er bedst egnet til det arbejde, der skal udføres.** Det korrekte elværktøj klarer opgaven bedre og mere sikkert med den effekt, som det er konstrueret til.

- b. **Brug ikke elværktøjet, hvis afbryderen er defekt.** Alt elektrisk værktøj, der ikke kan kontrolleres med kontakten, er farligt og skal repareres.
- c. **Træk stikket ud af stikkontakten og/eller fjern batterienheden fra det elektriske værktøj, hvis det kan udtages, før det elektriske værktøj justeres, dets tilbehør udskiftes, eller det stilles til opbevaring.** Sådanne forebyggende sikkerhedsforanstaltninger mindsker risikoen for, at værktøjet startes utilsigtet.
- d. **Opbevar ubenyttet elværktøj uden for børns rækkevidde. Elværktøjet må ikke bruges af personer, der ikke er fortrolige med det, eller som ikke har gennemlæst disse instruktioner.** El-værktøj er farligt i hænderne på personer, som ikke er instrueret i brugen deraf.
- e. **Elværktøj og tilbehør skal vedligeholdes. Kontroller, om bevægelige dele er skæve og ikke sidder fast, og om delene er brækket eller beskadiget, så elværktøjets funktion påvirkes. Hvis det elektriske værktøj er beskadiget, skal det repareres før brug.** Mange ulykker er forårsaget af dårligt vedligeholdt værktøj.
- f. **Sørg for, at skæreværktøjer er skarpe og rene.** Ordentligt vedligeholdt skæreværktøj med skarpe skærekanter har mindre tilbøjelighed til at binde og er lettere at styre.
- g. **Brug elværktøjet, tilbehøret, indsatsværktøj osv. i overensstemmelse med disse instruktioner under hensyntagen til arbejdsforholdene og arbejdet, der skal udføres med værktøjet.** Brug af elektrisk værktøj til andre opgaver end dem, det er beregnet til, kan resultere i en farlig situation.
- h. **Hold håndtagene og gribefladerne tørre, rene og fri fra olie og fedtstof.** Glatte håndtag og gribeflader giver ikke en sikker håndtering og kontrol af værktøjet i uventede situationer.
5. **Brug og pleje af batteriværktøj (bruges kun til batteriværktøjer)**
- a. **Genoplad kun værktøjet ved brug af den oplader, der er angivet af producenten.** En oplader, der passer til en type batteripakke, kan udgøre en risiko for brand, når den bruges til en anden type.
- b. **Brug kun elværktøj sammen med batteripakker, der er specifikt beregnet hertil.** Brugen af andre batteripakker kan medføre personske og brand.
- c. **Når batteripakken ikke er i brug, skal den holdes på afstand af andre metalgenstande, f.eks. papirclips, mønter, nøgler, søm, skruer og andre små metalgenstande, som kan skabe forbindelse mellem de to poler.** Kortslutning af batteriet kan forårsage forbrændinger eller brand.
- d. **Under grove forhold kan væske sive ud fra batteriet; undgå kontakt. Hvis der opstår kontakt ved et uheld, skyl med vand. Hvis væske kommer ind i øjnene, søg omgående lægehjælp.** Væske, der siver ud fra batteriet, kan fremkalde irritationer eller forbrændinger.
- e. **Brug ikke en batteripakke eller et værktøj, der er beskadiget eller modificeret.** Beskadigede eller modificerede batterier kan udvise uforudsigelig adfærd, hvilket kan resultere i brand, eksplosion eller risiko for personske.
- f. **Udsæt ikke en batteripakke eller et værktøj for ild eller for høj temperatur.** Eksponering for ild eller temperatur på over 130 °C kan forårsage eksplosion. BEMÆRK: Temperaturen „130 °C“ kan erstattes af temperaturen „265 °F“.
- g. **Følg alle opladningsanvisninger, og undlad at oplade batteripakken eller værktøjet uden for det temperaturinterval, der er specificeret i instruktionerne.** En forkert opladning eller opladning uden for det specificerede interval kan beskadige batteriet og øge risikoen for brand.
6. **Service**
- a. **Få altid elværktøjet repareret af kvalificerede fagfolk udelukkende med identiske reservedele.** Derved sikres det, at værktøjets driftssikkerhed opretholdes.
- b. **Beskadigede batteripakker må aldrig serviceres.** Service af batteripakker bør kun udføres af producenten eller autoriserede serviceudbydere (bruges kun til batteriværktøjer).
- Yderligere sikkerhedsadvarsler for elværktøj**
-  **Advarsel!** Yderligere sikkerhedsadvarsler for boremaskiner
- **Brug de ekstra håndtag, der følger med værktøjet.** Tab af kontrol kan medføre personske.
 - **Hold i elværktøjets isolerede gribeflader, hvis der er risiko for, at skæretilbehøret kommer i kontakt med skjulte ledninger.** Hvis skæretilbehøret rammer en strømførende ledning, bliver elværktøjets blottagte dele strømførende, så brugeren får stød.
 - **Afstiv værktøjet grundigt før brug.** Dette værktøj producerer et højt udgangsmoment, og uden korrekt afstivning af værktøjet under drift, kan du miste kontrollen, hvilket kan resultere i personske.
 - **Hold i elværktøjets isolerede gribeflader, hvis der er risiko for at beslaget kommer i kontakt med skjulte ledninger.** Hvis beslag kommer i kontakt med en strømførende ledning, bliver elværktøjets blottagte dele strømførende, så brugeren får stød.
 - **Brug klemmer eller en anden praktisk måde for at fastgøre og understøtte arbejdsemnet til et stabilt underlag.** Hvis du holder fast i arbejdsemnet med din hånd eller krop, vil det være ustabil, og det kan medføre, at du mister kontrollen over det.
 - **Kontroller placeringen af ledninger og rør, inden der bores i vægge, gulve eller lofter.**

- Rør ikke ved spidsen af et bor lige efter boring, det kan være varmt.
- Den tilsligtede anvendelse er beskrevet i denne betjeningsvejledning. Brug af ekstraudstyr eller tilbehør eller udførelse af andre opgaver med dette værktøj end de, der anbefales i denne vejledning, kan medføre risiko for personskade og/eller materiel skade.

Sikkerhedsinstruktioner for at anvende lange borekroner

- **Brug aldrig hurtigere hastighed end det maksimale angivet på borekronen.** Ved højere hastigheder vil boret sandsynligvis bøjes, hvis det får lov til at rotere frit uden at komme i berøring med emnet, hvilket kan resultere i personskade.
- **Start altid med at bore ved lav hastighed og med spidsen af boret i kontakt med overfladen.** Ved højere hastigheder vil boret sandsynligvis bøjes, hvis det får lov til at rotere frit uden at komme i berøring med emnet, hvilket kan resultere i personskade.
- **Begynd altid med at bore i lav hastighed og med borespidsen i kontakt med emnet.** Bor kan bøje og forårsage brud eller tab af kontrol, hvilket kan resultere i personskade.

Andres sikkerhed

- Dette værktøj må ikke bruges af personer (herunder børn) med nedsatte fysiske, sensoriske eller mentale evner eller manglende erfaring og viden, medmindre det sker under overvågning, eller der gives instruktion i brugen af værktøjet af en person, der er ansvarlig for deres sikkerhed.
- Børn skal overvåges for at sikre, at de ikke leger med udstyret.

Tilbageværende risici

Der kan opstå yderligere, tilbageværende risici under brugen af apparatet, som muligvis ikke behandles i de vedlagte sikkerhedsadvarsler. Disse risici kan opstå pga. forkert anvendelse, langvarig brug etc.

Selv ved overholdelse af relevante sikkerhedsforskrifter og anvendelse af sikkerhedsudstyr kan visse resterende risici ikke undgås. Disse omfatter:

- Tilskadekomst forårsaget af berøring af roterende/bevægelige dele.
- Tilskadekomst forårsaget af udskiftning af dele, klinger eller tilbehør.
- Tilskadekomst forårsaget af langvarig brug af et apparat. Husk at holde pause jævnligt ved brug af et apparat i længere tid.
- Hørenedsættelse.
- Sundhedsrisici forårsaget af indånding af støv, der genereres ved brug af værktøjet (eksempel: Arbejde med træ, især eg, bøg og MDF.)

Vibration

De angivne værdier for udsendelse af vibration anført under de tekniske data og overensstemmelseserklæringen er målt i henhold til standardtestmetoden i EN 60745 og kan bruges

til at sammenligne ét værktøj med et andet. Den angivne vibrationsemissionsværdi kan også bruges i forbindelse med en foreløbig vurdering af eksponeringen.

Advarsel! Værdien for vibrationsemission ved faktisk brug af elværktøjet kan afvige fra den angivne værdi afhængig af måden, værktøjet anvendes på. Vibrationsniveauet kan overstige det angivne niveau.

I vurderingen af eksponeringen for vibration med henblik på fastsættelse af sikkerhedsforanstaltninger som krævet i 2002/44/EF til beskyttelse af personer, der jævnligt anvender elværktøj i deres arbejde, skal der tages hensyn til de faktiske betingelser under brugen, og måden værktøjet bruges på, herunder alle arbejds cyklussens afsnit, f.eks. perioder, hvor værktøjet er slukket, og hvor det kører i tomgang, tillige med startperioderne.

Mærkatere på værktøjet

Værktøjet er forsynet med følgende advarselssymboler samt datokoden:



Advarsel! Brugeren skal læse brugervejledningen for at reducere risikoen for kvæstelser.

Yderligere sikkerhedsvejledninger for batterier og ladere (følger ikke med værktøjet)

Batterier

- Forsøg aldrig at åbne den af en eller anden grund.
- Udsæt ikke batteriet for vand.
- Må ikke opbevares på steder, hvor temperaturen kan overstige 40 °C.
- Oplad kun ved omgivelsestemperaturer på mellem 10 °C og 40 °C.
- Oplad kun ved hjælp af den medfølgende lader.
- Følg ved bortskaffelse af batterier vejledningen i afsnittet "Miljø".

Forsøg ikke at oplade beskadigede batterier.



Opladere

- Brug kun din BLACK+DECKER-lader til at oplade batteriet i det værktøj, som den blev leveret sammen med. Andre batterier kan eksplodere og forårsage kvæstelser og materielle skader.
- Forsøg aldrig at oplade ikke-genopladelige batterier.
- Udskift straks defekte ledninger.
- Udsæt ikke opladeren for vand.
- Opladeren må ikke åbnes.
- Undersøg ikke opladeren.



Opladeren er kun beregnet til indendørs brug.



Læs brugervejledningen, før værktøjet tages i brug.

Elektricitet og sikkerhed



Opladeren er dobbelt isoleret. Derfor er en jordledning ikke nødvendig. Kontroller altid, at netspændingen svarer til spændingen på typeskiltet. Forsøg aldrig at erstatte opladerenheden med et almindeligt netstik.

- Hvis netledningen beskadiges, skal den udskiftes af producenten eller et autoriseret BLACK+DECKER-værksted, så farlige situationer undgås.

Funktioner

Udstyret har nogle eller alle af de efterfølgende funktioner.

1. Variabel hastighedskontakt
2. Skyder til skift af retning
3. Justeringskravens drejemoment
4. Patron uden nøgle
5. Gearvælger
6. Batteri (x2 med BCD700S2S)
7. Batteriets udløsningsknap
8. Skruetrækkerborholder

Samling

Anvendelse

Advarsel! Lad værktøjet arbejde i dets eget tempo. Det må ikke overbelastes.

Opladning af batteriet (fig. A)

Batteriet skal oplades inden ibrugtagningen, og når det ikke leverer strøm nok til opgaver, der tidligere kunne udføres ubesværet. Batteriet kan blive varmt under opladningen. Det er normalt og ikke tegn på problemer.

Advarsel! Oplad ikke batteriet ved omgivende temperaturer på under 10 °C eller over 40 °C. Den anbefalede opladningstemperatur er ca. 24 °C.

Bemærk: Opladeren oplader ikke et batteri, hvis dets temperatur er under ca. 10 °C eller over 40°C.

Batteriet bør blive siddende i laderen, som automatisk begynder opladningen, når batteriet opvarmes/afkøles.

- Sæt opladeren ind i enhver standard 230 volt 50 Hz stikkontakt.
- Skub batteripakken i opladeren som vist i fig. A.
- Den grønne LED blinker for at vise, at batteriet oplades.
- Når opladningen er færdig, vil det blive angivet af den grønne LED, som vil lyse konstant. Pakken er fuldt opladet og kan nu anvendes eller kan efterlades i opladeren.

Advarsel! brandfare. Når du afbryder opladeren fra værktøjet, skal du sørge for først at trække stikket til opladeren ud af stikkontakten, og frakobl derefter opladerens ledning fra værktøjet.

Indsættelse og udtagning af batteripakken fra værktøjet (fig. B)

Advarsel! Sørg for, at låseknapen er aktiveret, for at forhindre utilsigtet aktivering af startknappen inden afmontering eller isætning af et batteri.

Sådan installeres batteripakken:

- Indsæt batteripakken i værktøjet, indtil der høres et klik (fig. B)

Indsættelse og udtagning af batteripakken fra værktøjet (fig. C)

- Tryk batteriets udløserknap ned som vist i (C) og træk batteripakken ud af værktøjet.

Betjeningsvejledning

Udløserkontakt & vendeknap

- Boret slås TIL og FRA ved at trække og udløse udløserkontakt (1). Jo længere kontakten er trykket ned, jo højere vil borets hastighed være.
- En retningsomskifterknap (2) bestemmer værktøjets arbejdsretning og fungerer også som låseknap.
- Valg af fremadgående rotation slip udløserkontakten og skub retningsomskifterknappen til venstre.
- For valg af omvendt retning skubbes retningsomskifterknappen til den anden side.

Bemærk: Midterpositionen på styreknapen låser værktøjet i off position. Når positionen på styreknapen ændres, sørg for at udløseren er udløst.

Styring af drejemoment (fig.D)

Dette værktøj er udstyret med en krave til justering af drejemomentet (3) til valg af driftsfunktion og til indstilling af drejemomentet for fastspændingsskruer. Store skruer og hårde materialer kræver en højere indstilling af moment end små skruer og bløde materialer.

- Ved boring i træ, metal og plastic skal ringen indstilles på boretssymbolet
- Ved skruetasker skal ringen indstilles på den ønskede position. Gå frem på følgende måde, hvis du er usikker på den rigtige position:
- Indstil ringen på den laveste momentposition.
- Spænd den første skrue.
- Hvis det ønskede resultat ikke opnås, skal du øge ringens indstilling og fortsætte med at skrue skruen i. Gentag fremgangsmåden, indtil du finder den rigtige indstilling. Brug denne indstilling til de andre skruer.

Nøglefri patron (fig. E)

Advarsel! Sørg for, at låseknapen er aktiveret for at forhindre utilsigtet aktivering af kontakten inden afmontering eller isætning af tilbehør.

Sådan isættes bor eller andet tilbehør:

- Tag fat i den bageste halvdel af patronen (4) med den ene hånd, og brug den anden hånd til at dreje den forreste halvdel mod uret set fra patronenden.
- Indsæt boret eller andet tilbehør helt ind i patronen og spænd det godt ved at holde på den bageste halvdel af patronen og dreje den forreste del i urets retning som set fra borepatronens ende.

Advarsel! Forsøg ikke at stramme borebits (eller andet tilbehør) ved at tage fat om den forreste del af patronen og tænde værktøjet. Ved udskiftning af tilbehør kan der ske beskadigelse af patronen og personskaade.

Dobbelt områdegearing (Figur F)

Den dobbelte områdefunktion på din boremaskine gør det muligt for dig at skifte gear til større alsidighed. Til valg af lav

hastighed, indstilling af højt drejmoment (position 1), slå værktøjet fra og tillad at stoppe. Skub gearskifterknappen (5) tilbage fra patronen. Til valg af høj hastighed, indstilling af lavt drejmoment (position 2), slå værktøjet fra og tillad at stoppe. Skub gearskifterknappen imod patronen.

Bemærk: Skift ikke gear når værktøjet kører. Hvis du har problemer med at skifte gear, sørg for at den dobbelte områdegearskifterknap enten er skubbet helt fremad eller helt tilbage.

Boring/iskruring

- Vælg forlæns eller baglæns omløb vha. skyderen til skift af retning (2).
- Tænd for værktøjet ved at trykke på kontakten (1). Værktøjets hastighed afhænger af, hvor langt du trykker knappen ind.
- Sluk for værktøjet ved at slippe kontakten.

Gode råd mhp. optimal brug

Boring

- Brug kun skarpe borehoveder.
- Støt og fastgør arbejdet korrekt som instrueret i sikkerhedsinstruktionerne.
- Brug passende og nødvendigt sikkerhedsudstyr, som instrueret i sikkerhedsinstruktionerne.
- Kontrollér og oprethold arbejdsområdet som instrueret i sikkerhedsinstruktionerne.
- Kør boret meget langsomt ved hjælp af et let tryk, indtil hullet er påbegyndt tilstrækkeligt, til at boret ikke glider ud af det.
- Øg trykket i lige linje med boret. Brug tilstrækkeligt tryk til at holde boret fast, men ikke så meget, at motoren går i stå eller afbøjer boret.
- Hold godt fast i boremaskinen med begge hænder for at modvirke vriddet i den.
- **KLIK IKKE PÅ UDLØSEREN PÅ ET STOPPET BOR TIL OG FRA I ET FORSØG PÅ AT STARTE DET. RESULTATET KAN BLIVE BESKADIGELSE AF BORET.**
- Minimér motorstop ved gennembrud ved at reducere trykket, og bor langsomt gennem den sidste del af hullet.
- Lad motoren køre, mens du trækker boret ud af et borehul. Det mindsker risikoen for, at det sidder fast.
- Kontrollér, at kontakten slår boret til og fra.

Boring i træ

Der kan bores huller i træ med samme spiralbor, der bruges til metal, eller med fladbor. Borene skal være skarpe, og de skal hyppigt trækkes ud under boringen for at fjerne spåner fra borespiralen.

Boring i metal

Brug et skæreoliesmøremiddel ved boring af metaller. Undtagelserne er støbejern og messing, der skal tøbøres. De smøremidler, der fungerer bedst, er svovlet skæreolie eller esterolie.

Boring i murværk

Til boring i murværk sættes ringen (3) i hammerborepositionen ved at placere symbolet ud for markeringen.

Skub hastighedsvælgeren (5) mod værktøjets forende (2. gear).

Iskruning

- Brug altid den rette type og størrelse skruetrækker.
- Prøv at smøre lidt opvaskemiddel eller sæbe på skruen, hvis den er vanskelig at spænde.
- Hold altid værktøjet og skruetrækkeren i lige linje med skruen

Problemløsning

Problem	Mulig årsag	Mulig løsning
Enheden vil ikke starte.	Batteripakken er ikke opladet.	Kontroller kravene til opladning af batteriet
Batteriet kan ikke oplades.	Opladeren er ikke tilsluttet. Omgivende lufttemperatur for varm eller for kold.	Slut opladeren til en fungerende stikkontakt. Flyt oplader og batteripakke til en omgivende lufttemperatur på over 40 °F (4,5°C) eller under 105 grader F (+ 40,5°C)
Enheden slukker brat.	Batteripakken har nået sin maksimale termiske grænse. Ude af opladning. (For at maksimere batteripakkens levetid er den designet til brat at slukke, når opladningen er opbrugt)	Lad batteripakken køle ned. Anbring den på opladeren og lad den lade op.

Vedligeholdelse

Dit BLACK+DECKER-værktøj er beregnet til brug gennem lang tid med et minimum af vedligeholdelse. Vedvarende tilfredsstillende funktion er afhængig af, om apparatet plejes korrekt og rengøres regelmæssigt.

Opladeren kræver ingen vedligeholdelse, men skal rengøres jævnligt.



Advarsel! Tag batteriet ud af værktøjet, inden der foretages vedligeholdelse på værktøjet. Træk opladeren ud af stikkontakten, før den rengøres.

- Rens jævnligt værktøjets og laderens ventilationshuller med en blød børste eller en tør klud.
- Rengør med jævne mellemrum motorhuset med en fugtig klud.
Der må ikke bruges skuremidler eller opløsningsmidler.
- Åbn jævnligt patronen, og bank på den for at fjerne støv indvendigt.

Miljøbeskyttelse



Særskilt bortscaffelse. Produkter og batterier mærket med dette symbol må ikke bortscaffes sammen med normalt husholdningsaffald.

Produkter og batterier indeholder materialer, der kan genindvindes eller genanvendes, hvilket reducere efterspørgslen efter råvarer.

Genbrug venligst elektriske produkter og batterier i henhold til lokale bestemmelser. Yderligere informationer findes på

www.2helpU.com

Tekniske data

BCD700S		
Spænding	V_{ac}	18
Tomgangshastighed	Min ⁻¹	0-360/0-1400
Maks. moment	Nm	17,5/40
Patronkapacitet	mm	1-10
Maks. borekapacitet		
Stål/træs/Murværk	mm	10/25/10
Vægt	kg	0,90 (med batteri 1,30)

Oplader	906214**	
Indgangsspænding	V_{ac}	230
Udgangsspænding	V_{ac}	18
Strømstyrke	mA	200
Ladetid ca.	Timer	8

Oplader	905902** / N4940**	
Indgangsspænding	V_{ac}	230
Udgangsspænding	V_{ac}	18
Strømstyrke	mA	400
Ladetid ca.	Timer	4

Oplader	905998**	
Indgangsspænding	V_{ac}	230
Udgangsspænding	V_{ac}	18
Strømstyrke	Amp	1
Ladetid ca.	Timer	1.5

Batteri	BL1518	
Spænding	V_{ac}	18
Kapacitet	Ah	1.5
Type		Li-Ion

Batteri	BL2018	
Spænding	V_{ac}	18
Kapacitet	Ah	2.0
Type		Li-Ion

Batteri	BL4018	
Spænding	V_{ac}	18
Kapacitet	Ah	4.0
Type		Li-Ion

Lydtrykniveau i henhold til EN 60745:
Lydtryk (L_{w}) 88,7 dB(A), usikkerhed (K) 3 dB(A)
Lydeffekt (L_{w}) 99,7 dB(A), usikkerhed (K) 3 dB(A)

Samlede værdier for vibration (triaksial vektorsum) i henhold til EN 60745:
Slagboring i beton (a_{hvd}) 14,4 m/s ² , usikkerhed (K) 1,5 m/s ²
Boring i metal (a_{hvd}) <2,5 m/s ² , usikkerhed (K) 1,5 m/s ²
Skrupegaver uden slag (a_{hvd}) <2,5 m/s ² , usikkerhed (K) 1,5 m/s ²

EF-overensstemmelseserklæring

MASKINDIREKTIV



BCD700S - Slagbor

Black & Decker erklærer, at produkterne beskrevet under "Tekniske data" er i overensstemmelse med: 2006/42/EC, EN 60745-1:1010, EN 60745-2-1:2010

Disse produkter er endvidere i overensstemmelse med direktiv 2004/30/EU og 2011/65/EU. Kontakt Black & Decker på nedenstående adresse, eller se vejledningens bagside for at få flere oplysninger.

Undertegnede er ansvarlig for udarbejdelsen af de tekniske data og fremsætter denne erklæring på vegne af Black & Decker.

R. Laverick
Engineering Manager
Black & Decker Europe, 270 Bath Road, Slough,
Berkshire, SL1 4DX
Storbritannien
19/05/2020

Garanti

Black & Decker er overbevist om den gode kvalitet af sine produkter og giver forbrugerne en garanti på 24 måneder fra købsdatoen. Garantien er et tillæg til forbrugerens lovmæssige rettigheder og påvirker ikke disse. Garantien er gyldig inden for medlemsstaterne af Den Europæiske Union og Det Europæiske Frihandelsområde.

Når du gør krav på garantien, skal kravet være i overensstemmelse med Black & Decker vilkår og betingelser, og du skal indsende dokumentation for købet til sælgeren eller til en autoriseret reparatør.

Vilkår og betingelser for Black & Decker 2 års garanti og placeringen af dit nærmeste autoriserede serviceværksted kan fås på internettet på www.2helpU.com, eller ved at kontakte dit lokale Black & Decker kontor på den adresse, der er angivet i denne vejledning.

Besøg venligst vores websted www.blackanddecker.co.uk for at registrere dit nye Black & Decker produkt og modtage opdateringer om nye produkter og specielle tilbud.

Käyttötarkoitus

Tämä BLACK+DECKER BCD700S -iskuporakone on tarkoitettu ruuvien kiinnittämiseen sekä puun, metallin ja betonin poraamiseen. Tämä työkalu on tarkoitettu vain yksityiskäyttöön.

Turvallisuusohjeet

Sähkötyökalujen yleiset turvavaroitukset



Varoitus! Lue kaikki tämän sähkötyökalun mukana toimitetut varoitukset, käyttöohjeet ja tekniset tiedot. Jos kaikkia ohjeita ei noudateta, on olemassa sähköiskun, tulipalon ja/tai vakavan henkilövahingon vaara.

Säästä kaikki varoitukset ja ohjeet tulevaa käyttöä varten.

Jäljempänä olevissa varoituksissa käytetyllä käsitteellä "sähkötyökalu" tarkoitetaan verkkokäyttöisiä sähkötyökaluja (verkkojohdolla) ja akkukäyttöisiä sähkötyökaluja (ilman verkkojohtoa).

1. Työalueen turvallisuus

- Pidä työskentelyalue puhtaana ja hyvin valaistuna.** Onnettomuuksia sattuu herkemmin epäsiistissä tai huonosti valaistussa ympäristössä.
- Älä käytä sähkötyökalua räjähdysalttiissa ympäristössä, jossa on palavaa nestettä, kaasua tai pölyä.** Sähkötyökalujen aiheuttamat kipinät voivat sytyttää pölyn tai kaasut.
- Pidä lapset ja sivulliset loitolla sähkötyökalua käyttäessäsi.** Keskittymiskyvyn herpaantuminen voi aiheuttaa hallinnan menettämisen.

2. Sähköturvallisuus

- Sähkötyökalun pistokkeen on sovitava pistorasiaan. Älä koskaan tee pistokkeeseen mitään muutoksia.** Älä yhdistä maadoitettua sähkötyökalua jatkojohtoon. Sähköiskun vaara vähenee, jos pistokkeisiin ei tehdä muutoksia ja ne yhdistetään vain niille tarkoitettuihin pistorasioihin.
- Vältä koskettamasta maadoitettuja pintoja, kuten putkia, pattereita, liesiä tai jääkaappeja.** Voit saada sähköiskun, jos kehosi on maadoitettu.
- Älä altista sähkötyökalua sateelle tai kosteudelle.** Sähkötyökaluun menevä vesi lisää sähköiskun vaaraa.
- Älä käsittele virtajohtoa kovakouraisesti. Älä kannata työkaluja sähköjohdosta tai vedä pistoketta pistorasiasta sähköjohdon avulla.** Pidä sähköjohto kaukana kuumuudesta, öljystä, terävistä reunoista tai liikkuvista osista. Vaurioituneet tai sotkeutuneet johdot lisäävät sähköiskun vaaraa.
- Käyttäessäsi sähkötyökalua ulkona käytä ainoastaan ulkokäyttöön soveltuvaa jatkojohtoa.** Ulkokäyttöön tarkoitettujen sähköjohdon käyttäminen vähentää sähköiskun vaaraa.

- Jos sähkötyökalua on välttämättä käytettävä kosteassa paikassa, käytä jännösvirtalaitteella (RCD) suojattua virtalähdettä.** Tämä vähentää sähköiskun vaaraa.

3. Henkilöturvallisuus

- Keskity työskentelyysi ja noudata tervettä järkeä käyttäessäsi sähkötyökaluja.** Älä käytä tätä työkalua ollessasi väsynyt tai alkoholin, huumeiden tai lääkkeiden vaikutuksen alaisena. Keskittymisen herpaantuminen hetkeksikin sähkötyökalua käytettäessä voi aiheuttaa vakavan henkilövahingon.
 - Käytä henkilökohtaisia suojavarusteita. Käytä aina suojalaseja.** Hengityssuojaimen, liukumattomien turvajalkineiden, kypärän ja kuulonsuojaimen käyttäminen vähentää henkilövahinkojen vaaraa.
 - Vältä tahatonta käynnistämistä. Varmista, että kytkin on OFF-asennossa, ennen kuin liität laitteen virtalähteeseen ja/tai akkuun, nostat laitteen tai kannat sitä.** Sähkötyökalun kantaminen sormi virtakytkimellä lisää onnettomuusvaaraa.
 - Irrota mahdollinen säätö- tai kiintoavain, ennen kuin käynnistät sähkötyökalun.** Sähkötyökalun pyöriivään osaan kiinni jäänyt avain voi johtaa loukkaantumiseen.
 - Älä kurkota liian kauas. Huolehdi siitä, että sinulla on koko ajan tukeva jalansija ja hyvä tasapaino.** Näin voit hallita sähkötyökalua paremmin odottamattomissa tilanteissa.
 - Käytä tarkoitukseen soveltuvia vaatteita. Älä käytä löysiä vaatteita tai koruja.** Pidä hiukset ja vaatteet loitolla liikkuvista osista. Löysät vaatteet, korut tai pitkät hiukset voivat tarttua liikkuviin osiin.
 - Jos laitteeseen voi kiinnittää pölynkerääjän tai -imurin, tarkista, että se on paikallaan ja että se toimii kunnolla.** Pölyn ottaminen talteen voi vähentää pölyn aiheuttamia vaaroja.
 - Vaikka käyttäisit usein työkaluja ja sinulla olisi niistä hyvä tuntemus, älä jätä lukematta työkalun turvallisuusohjeita.** Huolimattomuus voi johtaa vakaviin henkilövahinkoihin jopa sekunnin murto-osassa.
- #### 4. Sähkötyökalujen käyttö ja hoito
- Älä yliuormita sähkötyökalua.** Valitse käyttötarkoituksen kannalta oikea sähkötyökalu. Sähkötyökalu toimii paremmin ja turvallisemmin, kun sitä käytetään sille suunniteltuun käyttötarkoitukseen.
 - Älä käytä sähkötyökalua, jota ei voida käynnistää ja pysäyttää virtakytkimestä.** Jos sähkötyökalua ei voi hallita kytkimen avulla, se on vaarallinen ja se on korjattava.
 - Katkaise sähkötyökalusta virta ja irrota sen pistoke pistorasiasta tai irrota akku siitä ennen säätämistä, varusteiden vaihtamista tai sähkötyökalun**

asettamista säilytykseen. Näin voit vähentää vahingossa käynnistymisen aiheuttaman henkilövahingon vaaraa.

d. Säilytä sähkötyökalut poissa lasten ulottuvilta, kun niitä ei käytetä. Älä anna sähkötyökalua sellaisen henkilön käyttöön, joka ei tunne sitä tai joka ei ole tutustunut sähkötyökalun käyttöohjeeseen. Sähkötyökalut ovat vaarallisia kouluttamattomien käyttäjien käsissä.

e. Hoida sähkötyökaluasi ja lisävarusteita huolella. Tarkista, että liikkuvat osat toimivat moitteettomasti ja etteivät ne ole puristuksessa. Tarkista myös, ettei työkalussa ei ole murtuneita tai vahingoittuneita osia, jotka saattaisivat vaikuttaa haitallisesti sen toimintaan. Jos havaitset vaurioita, korjauta sähkötyökalu ennen niiden käyttämistä. Huonosti kunnossapidetyt sähkötyökalut aiheuttavat onnettomuuksia.

f. Pidä leikkausterät terävinä ja puhtaina. Kunnossa pidettyjen leikkaavia teräviä reunoja sisältävien työkalut todennäköisyys jumiutua vähenee, ja niitä on helpompi hallita.

g. Käytä sähkötyökaluja, tarvikkeita, vaihtotyökaluja jne. näiden ohjeiden mukaisesti. Ota tällöin huomioon työolosuhteet ja suoritettava toimenpide. Jos sähkötyökalua käytetään näiden ohjeiden vastaisesti, voi syntyä vaaratilanne.

h. Pidä kahvat ja tartuntapinnat kuivina, puhtaina ja öljyttöminä sekä rasvattomina. Liukkaat kahvat ja kädensijat estävät työkalun turvallisen käsittelyn ja hallinnan odottamattomissa tilanteissa.

5. Akkutyökalun käyttö ja huolto (koskee vain akkutyökaluja)

a. Lataa vain valmistajan määrittämällä laturilla.

Laturi, joka on sopiva yhden tyyppiselle akulle, voi aiheuttaa tulipalon vaaran, jos sitä käytetään toisen tyyppisellä akulla.

b. Käytä sähkötyökalussa ainoastaan kyseiseen sähkötyökaluun tarkoitettua akkua. Muun tyyppisen akun käyttö saattaa johtaa loukkaantumiseen ja tulipaloon.

c. Pidä irrallinen akku loitolla metalliesineistä, kuten paperiliittimistä, kolikoista, avaimista, nauloista, ruuveista tai muista pienistä metalliesineistä, jotka voivat aiheuttaa oikosulun akun navoissa. Kennon pinteiden oikosulku voi aiheuttaa palovammoja tai tulipalon.

d. Väärin käytetystä akusta voi vuotaa nestettä. Älä kosketa sitä. Jos nesteen kanssa joutuu kosketuksiin, huuhtelee vedellä. Jos nestettä joutuu silmiin, hakeudu lisäksi lääkärin hoitoon. Akusta roiskunut neste saattaa aiheuttaa ärsytyksiä tai palovammoja.

e. Akkua tai työkalua ei saa käyttää, jos siinä on vaurioita tai sitä on muunneltu. Vaurioituneet tai muunnellut akut voivat johtaa odottamattomiin tilanteisiin ja vaarana ovat tulipalo, räjähdys ja henkilövahingot.

f. Suojaa akku ja työkalu tulelta ja liian korkeilta lämpötiloilta. Se voi räjähtää yli 130 °C lämpötilassa. HUOMAA: Lämpötila "130 °C" voidaan korvata lämpötilalla "265 °F".

g. Noudata kaikkia latausohjeita. Akkua tai työkalua ei saa ladata ohjeissa määritetyistä lämpötilavälistä poikkeavassa lämpötilassa. Jos akku ladataan virheellisesti tai määritetyistä lämpötilavälistä poikkeavassa lämpötilassa, seurauksena voi olla akun vaurioituminen ja tulipalovaara.

6. Huolto

a. Korjata sähkötyökalu koulutetulla ja ammattitaitoisella henkilöllä ja hyväksy korjauksiin vain alkuperäisiä varaosia. Tämä varmistaa sähkötyökalun turvallisuuden.

b. Älä koskaan huolla vaurioituneita akkua.

Ainoastaan valmistaja tai valtuutetut huoltoliikkeet saavat huoltaa akkua (koskee vain akkutyökaluja).

Sähkötyökalujen lisäturvavaroitukset

Varoitus! Porien lisäturvavaroitukset



- **Käytä apukahvoja työkalun kanssa.** Hallinnan menetyks voi aiheuttaa henkilövahingon.
- **Pitele sähkötyökalua eristetyistä tartuntapinnoista, kun teet työtä, jossa leikkuuosa voi joutua kosketuksiin piilossa olevien sähköjohtojen kanssa.** Terien osuminen jännitteeseen johtoon tekee sen paljaista metalliosista jännitteisiä, joten käyttäjä voi saada sähköiskun.
- **Tartu työkaluun hyvällä otteella ennen käyttöä.** Tämä työkalu tuottaa suuren momentin, mikä voi johtaa hallinnan menetykseen ja henkilövahinkoihin, mikäli työkalusta ei pidetä hyvin kiinni.
- **Pitele sähkötyökalua eristetyistä tartuntapinnoista, kun teet työtä, jossa kiinnitin voi joutua kosketuksiin piilossa olevien sähköjohtojen kanssa.** Kiinnittimien osuminen jännitteeseen johtoon tekee sen paljaista metalliosista jännitteisiä, joten käyttäjä voi saada sähköiskun.
- **Käytä puristimia tai muuta käytännöllistä tapaa kiinnittää ja tukea työstökappale tukevalle alustalle.** Työkappaleen pitäminen käsin tai vartaloa vasten on epävakaata ja saattaa johtaa kontrollin menetykseen.
- **Ennen kuin poraat seinä, lattioita tai kattoja, tarkista sähköjohtojen ja putkien sijainti.**
- **Älä koske terään heti poraamisen jälkeen.** Terä saattaa olla kuuma.

- Tarkoitettu käyttö on kuvattu tässä käyttöohjeessa. Käytä työkalua ainoastaan sellaiseen työhön, johon se on tarkoitettu, ja käytä vain tässä käyttöohjeessa suositeltuja tarvikkeita ja lisälaitteita. Ohjeesta poikkeava käyttö voi aiheuttaa henkilö- ja/tai omaisuusvahinkoja.

Turvallisuusohjeet pitkiä poranteriä käyttäessä

- **Älä koskaan ylitä poranterän määritettyä maksiminopeutta.** Suuremmilla nopeuksilla terä voi taipua ja aiheuttaa henkilövahinkoja, jos sen annetaan pyöriä vapaasti työstökappaleesta irti.
- **Aloita poraus aina alhaisella nopeudella poranterän koskettaessa työstökappaleeseen.** Suuremmilla nopeuksilla terä voi taipua ja aiheuttaa henkilövahinkoja, jos sen annetaan pyöriä vapaasti työstökappaleesta irti.
- **Kohdista terään voimaa vain suorassa linjassa välttämällä liiallista painetta.** Terät voivat taipua ja aiheuttaa murtumisen tai hallinnan menetyksen, mikä voi johtaa henkilövahinkoihin.

Muiden henkilöiden turvallisuus

- Tätä työkalua ei ole tarkoitettu sellaisten henkilöiden käyttöön, joilla on fyysisiä tai älyllisiä rajoitteita tai aistirajoitteita, eikä laitteen toimintaan perehtymättömien henkilöiden käyttöön (lapses mukaan luettuina), paitsi valvonnan alaisina, tai jos he ovat saaneet työkalun käyttöön liittyvää opastusta heidän turvallisuudestaan vastaavalta henkilöltä.
- Lapsia tulee valvoa ja varmistaa, että he eivät leiki laitteella.

Jäännösriskit

Myös muut kuin turvavaroituksissa mainitut riskit ovat mahdollisia laitetta käytettäessä. Nämä riskit voivat liittyä muun muassa virheelliseen tai pitkäaikaiseen käyttöön. Tiettyjä jäännösriskkejä ei voi välttää, vaikka noudatetaan kaikkia turvamaääräyksiä ja käytät turvalaitteita. Nämä ovat:

- Pyöriä tai liikkuvien osien koskettamisen aiheuttamat vahingot.
- Osia, teriä tai lisävarusteita vaihdettaessa aiheutuneet vahingot.
- Työkalun pitkäaikaisen käytön aiheuttamat vahingot. Varmista, että pidät säännöllisesti taukoja laitteen pitkäaikaisen käytön aikana.
- Kuulon heikkeneminen.
- Työkalua käytettäessä (esimerkiksi puuta, erityisesti tammea, pyökkiä ja MDF-levyjä) syntyneen pölyn sisäanhengityksen aiheuttamat terveysriskit.

Tärinä

Teknisissä tiedoissa ja vaatimustenmukaisuusvakuutuksessa ilmoitettu tärinäpäästöarvo on mitattu EN 60745 -standardin testausmenetelmän mukaisesti, ja arvoa voi käyttää työkalujen keskinäiseen vertailuun. Ilmoitettua tärinäpäästöarvoa voi käyttää myös altistumisen alustavaan arviointiin.

Varoitus! Sähkötyökalun käytön aikana mitattu todellinen tärinäpäästöarvo voi poiketa ilmoitetusta tärinäpäästöarvosta työkalun käyttötavan mukaan. Tärinätasoa voi olla ilmoitettua tasoa suurempi.

Kun tärinälle altistumista arvioidaan sen määrittämiseksi, mitä direktiivin 2002/44/EY mukaisia turvatoimenpiteitä vaaditaan sähkötyökaluja säännöllisesti käytävien henkilöiden suojelemiseksi, tärinälle altistumisen arvioinnissa on otettava huomioon todelliset käyttöolosuhteet ja työkalun käyttötavat. Todellisen käytön lisäksi on kiinnitettävä huomiota myös siihen, milloin työkalu on sammutettava tai se käy tyhjäkäynnillä.

Työkalun tarrat

Työkaluun on merkitty päivämääräkoodi sekä seuraavat varoitusmerkinnät:



Varoitus! Käyttäjän on luettava käyttöohje vahinkojen välttämiseksi.

Akkuja ja laturia koskevat lisäturvallisuusohjeet (ei toimiteta työkalun mukana)

Akut

- Älä koskaan yritä avata mistään syystä.
- Älä anna akun kastua.
- Älä säilytä akkuja tiloissa, joissa lämpötila voi nousta yli 40 °C:een.
- Lataa akku paikassa, jonka lämpötila on vähintään +10 °C ja enintään +40 °C.
- Lataa akku ainoastaan työkalun mukana toimitetulla laturilla.
- Noudata akkuja hävittäessäsi kohdassa "Ympäristönsuojelu" annettuja ohjeita.



Älä koskaan yritä ladata viiallisia akkuja.

Laturit

- Käytä BLACK+DECKER-laturia vain työkalun mukana toimitetun akun lataamiseen. Muut akut voivat räjähtää ja aiheuttaa henkilövahinkoja tai aineellisia vahinkoja.
- Älä koskaan yritä ladata akkuja, joita ei ole tarkoitettu ladattavaksi.
- Vaihda viialliset johdot välittömästi ehjiin.
- Älä anna laturin kastua.
- Älä avaa laturia.
- Älä työnnä mitään laturin sisään.



Laturi on tarkoitettu ainoastaan sisäkäyttöön.



Lue käyttöohjeet huolellisesti ennen laitteen käyttöä.

Sähköturvallisuus



Laturi on kaksoiseristetty, joten erillistä maadoitusta ei tarvita. Tarkista aina, että verkkojännite vastaa arvokilvessä ilmoitettua jännitettä. Älä yritä vaihtaa laturiin tavallista verkkovirran pistoketta.

- Jos virtajohto vahingoittuu, sen vaihtaminen on turvallisuussyistä jätettävä valmistajan tai valtuutetun BLACK+DECKER-huollon tehtäväksi.

Yleiskuvaus

Tässä laitteessa on joitakin tai kaikki seuraavista ominaisuuksista.

1. Säädettävä nopeuskytkin
2. Eteen-/taaksepäin-liikusäädin
3. Väännön säätörengas
4. Pikaistukka
5. Kaksi nopeutta
6. Akku (x 2, mallissa BCD700S2S)
7. Akun vapautuspainike
8. Ruuvimeisselin teräpidike

Asennus

Käyttö

Varoitus! Anna työkalun käydä omaan tahtiinsa. Älä ylikuormita sitä.

Akun lataaminen (kuva A)

Lataa akku ennen ensimmäistä käyttökertaa ja aina, kun se ei enää tuota riittävästi virtaa toimintoihin, jotka aiemmin sujuivat helposti. Akku voi lämmetä ladattaessa. Tämä on normaalia, eikä se ole merkki mistään viasta.

Varoitus! Älä lataa akkua alle 10 °C tai yli 40 °C asteen lämpötilassa. Suositeltava latauslämpötila on noin 24 °C.

Huomautus: Laturi ei lataa akkua, jos akun kennon lämpötila on alle 10 °C tai yli 40 °C.

Accu tulee kuitenkin jättää laturiin. Laturi aloittaa lataamisen automaattisesti, kun kennon lämpötila nousee tai laskee riittävästi.

- Liitä laturi standardiin 230 V / 50 Hz pistorasiaan.
- Liu'uta akku laturiin kuvan A mukaisesti.
- Vihreä LED-merkkivalo vilkkuu käynnissä olevan latauksen merkiksi.
- Kun lataus on valmis, vihreä LED-valo jää palamaan jatkuvasti. Akku on täysin ladattu ja sitä voidaan käyttää heti tai sen voi jättää laturiin.

Varoitus! Tulipalovaara. Kun irrotat laturin työkalusta, irrota laturi ensin pistorasiasta ja irrota laturin johto sen jälkeen työkalusta.

Akun asentaminen ja poistaminen työkalusta (kuva B)

Varoitus! Varmista ennen akun irrottamista tai asentamista, että lukituspainike on lukitussa asennossa virtakytkimen tahattoman käytön estämiseksi.

Accun asentaminen:

- Aseta akku työkaluun, kunnes kuulet napsahduksen (kuva B)

Accun poistaminen työkalusta (kuva C)

- Paina akun vapautuspainiketta kuvan C mukaisesti ja vedä akku irti työkalusta.

Käyttöohjeet

Virtakytkin ja peruutuspainike

- Pora kytketään päälle ja pois päältä vetämällä ja vapauttamalla virtakytkin (1). Mitä enemmän liipaisukytkintä painetaan, sitä suurempi porakoneen nopeus.
- Eteen-/taaksepäin-painike (2) määrää työkalun pyörimissuunnan ja toimii myös lukituspainikkeena.
- Valitse pyörimissuunta eteenpäin vapauttamalla virtakytkin ja painamalla eteen-/taaksepäin-painiketta vasemmalle.
- Valitse pyörimissuunta taaksepäin painamalla eteen-/taaksepäin-painiketta vastakkaiseen suuntaan.

Huomautus: Suunnanvaihtopainikkeen keskiasento lukitsee työkalun off-asentoon. Kun muutat suunnanvaihtopainikkeen asentoa, varmista, että liipaisin on vapautettu.

Momentin hallinta (kuva D)

Tässä työkalussa on vääntömomentin säätörengas (3), jolla valitaan toimintatila ja asetetaan vääntömomentti ruuvien kiristämistä varten. Suuret ruuvit ja kovat työstettävät materiaalit vaativat suuremman vääntömomentin kuin pienet ruuvit ja pehmeät työstettävät materiaalit.

- Puuta, metallia ja muovia poratessasi aseta kartio porausasennon symbolin kohdalle.
- Ruuveja vääntäessäsi aseta kartio haluamaasi asentoon. Jos et vielä tiedä oikeaa asentoa, toimi seuraavasti:
- Aseta kartio pienimmän vääntömomentin mukaiseen asentoon.
- Kiristä ensimmäinen ruuvi.
- Jos kytkin luistaa ennen halutun tuloksen saavuttamista, suurena kauluksen asetusta ja jatka ruuvien kiristämistä. Toista menettelyä, kunnes asetus on oikea. Kiristä muut ruuvit käyttämällä tätä asetusta.

Huoltovapaa istukka (kuva E)

Varoitus! Varmista ennen lisävarusteiden irrottamista tai asentamista, että lukituspainike on lukitussa asennossa virtakytkimen tahattoman käytön estämiseksi.

Poran terän tai muun tarvikkeen asentaminen:

- Tartu yhdellä kädellä istukan (4) takapuoliskoon ja kierrä etupuoliskoa toisella kädelläsi istukan päästä katsottuna vastapäivään.
- Aseta terä tai muu tarvike kokonaan istukkaan ja kiinnitä se hyvin pitämällä kiinni istukan takaosasta ja kiertämällä istukan etuosaa myötäpäivään istukan päästä katsottuna.

Varoitus! Älä kiristä poran terää (tai muuta tarviketta) tarttumalla istukan etuosaan ja kytkemällä työkaluun virta. Lisävarusteiden vaihtaminen tällä tavalla voi vahingoittaa istukkaa tai johtaa tapaturmaan.

Kaksi nopeutta (kuva F)

Poran nopeuskytkimen avulla voit vaihtaa vaihteista monipuolisesti. Valitse alhainen nopeus ja suuri vääntömomentti (asento 1) katkaisemalla työkalusta virta ja antamalla sen pysähtyä. Liu'uta nopeuskytkintä (5) pois päin istukasta. Valitse suuri nopeus ja pieni vääntömomentti (asento 2) katkaisemalla työkalusta virta ja antamalla sen pysähtyä.

Liu'uta nopeuskytkintä istukkaan päin.

Huomautus: Älä vaihda vaihdetta, kun työkalu on käynnissä. Jos vaihteiden vaihtamisessa on ongelmia, varmista, että nopeuskytkin on työnnetty joko kokonaan eteenpäin tai kokonaan taaksepäin.

Poraaminen ja ruuvien kiinnittäminen

- Valitse pyörimissuunta eteen- tai taaksepäin eteen-/taaksepäin-liukusäätimellä (2).
- Käynnistä laite painamalla kytkintä (1). Työkalun nopeus määräytyy sen mukaan, kuinka pitkälle kytkintä työnnetään.
- Sammuta laite vapauttamalla kytkin.

Vinkkejä parhaimman tuloksen saavuttamiseksi

Poraaminen

- Käytä vain teräviä poranteriä.
- Tue ja kiinnitä työstökappale oikeapoisesti turvallisuusohjeita noudattaen.
- Käytä asianmukaisia ja vaadittuja turvavarusteita turvallisuusohjeita noudattaen.
- Varmista työalueen turvallisuus turvallisuusohjeita noudattaen.
- Käytä poraa erittäin hiijaa kevyellä paineella, kunnes reikää on aloitetta riittävästi poran pitämiseksi aukossa.
- Paina suoraan terän suuntaisesti. Paina tarpeeksi kovaa niin, että terä poraa, mutta älä niin kovaa, että moottori jää kiinni tai terä vääntyy.
- Pitele poraa tiukasti kahdella kädellä niin, ettei se pääse heilumaan.
- ÄLÄ YRITÄ KÄYNNISTÄÄ KIINNI JÄÄNYTTÄ MOOTTORIA UUDELLEEN PAINELEMALLA LIIPAISINTA. PORA VOI VAHINGOITTUA.
- Vähennä kiinni jäämisen mahdollisuutta puhkaisuvaiheessa vähentämällä painetta ja poraamalla hitaasti reiän loppupäässä.
- Pidä moottori käynnissä ja vedä terä ulos poratusta reiästä. Tämä estää juuttumista.
- Varmista, että kytkin käynnistää ja sammuttaa poran.

Puun poraaminen

Puuhun voidaan porata reikiä samoilla kieräporanterillä kuin metalliin, tai litteäteräisillä poranterillä. Näiden terien tulisi olla teräviä ja porattaessa ne tulisi vetää ulos usein purujen poistamiseksi urista.

Metallin poraaminen

Käytä leikkuujäähdytysnestettä, kun poraat metalleja. Poikkeuksia ovat valurauta ja messinki, joita tulee porata kuivina. Parhaiten toimivia leikkuujäähdytysnesteitä ovat rikitetty leikkuuöljy ja laardiöljy.

Kivimateriaalin poraaminen

Kun poraat kivimateriaalia, aseta kartio (3) iskuporausasentoon siirtämällä merkki kohdakkain merkinnän kanssa. Työnä nopeudenvälisinta (5) työkalun etuosaa kohti (2. vaihde).

Ruuvien kiinnittäminen

- Käytä aina oikeantyyppistä ja -kokoista ruuvikärkeä.
- Jos ruuvien kiristäminen on hankalaa, kokeile käyttää liukasteena pientä määrää pesunestettä tai saippuaa.
- Pidä aina työkalu ja ruuviavain suorassa linjassa ruuviin nähden.

Vianetsintä

Ongelma	Mahdollinen syy	Mahdollinen ratkaisu
Laite ei käynnisty.	Akku ei ole latautunut.	Tarkista akun latausvaatimukset
Akku ei lataudu.	Laturia ei ole kytketty pistorasiaan. Ympäristölämpötila on liian korkea tai liian alhainen.	Kytke laturi pistorasiaan. Siirrä laturi ja akku ympäristöön, jonka lämpötila on yli 4,5°C tai alle +40,5°C.
Laite sammuu äkki-näisesti.	Akun maksimilämpötila on saavutettu. Ei virtaa. (Akun maksimaalista käyttöikää varten akku sammuu tarkoituksella äkki-näisesti virran loppuessa	Anna akun jäähtyä. Aseta laturiin ja anna latautua.

Huolto

BLACK+DECKER-työkalu on suunniteltu toimimaan mahdollisimman pitkän aikaa mahdollisimman vähällä huollolla. Oikea käsittely ja säännöllinen puhdistus varmistavat laitteen ongelmattoman toiminnan. Laturi ei tarvitse säännöllisen puhdistamisen lisäksi mitään muuta huoltoa.



Varoitus! Poista akku ennen työkalun huoltamista. Irrota laturi pistorasiasta ennen laturin puhdistamista.

- Puhdista laitteen ja laturin ilma-aukot säännöllisesti pehmeällä harjalla tai kivulla kangasliinalla.
- Puhdista moottorin kotelo säännöllisesti kostealla rätillä. Älä käytä hankaavia tai liuotinpohjaisia puhdistusaineita.
- Avaa istukka säännöllisesti ja naputtele pöly pois sen sisästä.

Ympäristönsuojelu



Toimita tämä laite erilliskeräykseen. Tällä symbolilla merkityjä tuotteita ja akkuja ei saa hävittää tavallisen kotitalousjätteen mukana.

Tuotteissa ja akkuissa on materiaaleja, jotka voidaan ottaa talteen tai kierrättää uudelleen käyttöä varten. Kierrätä sähkölaitteet ja akut paikallisten määräyksien mukaan. Lisätietoa on saatavilla osoitteessa www.2helpU.com

Tekniset tiedot

		BCD700S
Jännite	V _{ac}	18
Kuormittamaton nopeus	Min ⁻¹	0-360/0-1400

BCD700S		
Maks. vääntömomentti	Nm	17,5/40
Istukan kapasiteetti	mm	1-10
Suurin mahdollinen porausteho		
Teräs/puu/kivimateriaali	mm	10/25/10
Paino	kg	0,90 (akun kanssa 1,30)

Laturi 906214**		
Syöttöjännite	V _{ac}	230
Lähtöjännite	V _{dc}	18
Virta	mA	200
Arvioitu latausaika	Tuntia	8

Laturi 905902** / N4940**		
Syöttöjännite	V _{ac}	230
Lähtöjännite	V _{dc}	18
Virta	mA	400
Arvioitu latausaika	Tuntia	4

Laturi 905998**		
Syöttöjännite	V _{ac}	230
Lähtöjännite	V _{dc}	18
Virta	Amp	1
Arvioitu latausaika	Tuntia	1,5

Akku BL1518		
Jännite	V _{ac}	18
Teho	Ah	1,5
Tyyppi		Li-Ion

Akku BL2018		
Jännite	V _{ac}	18
Teho	Ah	2,0
Tyyppi		Li-Ion

Akku BL4018		
Jännite	V _{ac}	18
Teho	Ah	4,0
Tyyppi		Li-Ion

Äänenpainetaso standardin EN 60745 mukaisesti:		
Äänenpaine (L _{wa})		88,7 dB(A), epävarmuus (K) 3 dB(A)
Äänitehotaso (L _{wa})		99,7 dB(A), epävarmuus (K) 3 dB(A)

Tärinän kokonaisarvot (vektorisumma) standardin EN 60745 mukaisesti:

Iskuporattaessa betonia (a_{hD}) 14,4 m/s², epävarmuus (K) 1,5 m/s²
 Porattaessa metallia (a_h) < 2,5 m/s², epävarmuus (K) 1,5 m/s²

Ruuvinvääntö ilman iskutoimintaa (a_h) < 2,5 m/s², epävarmuus (K) 1,5 m/s²

EY-vaatimustenmukaisuusvakuutus

KONEDIREKTIIVI



BCD700S - Iskuporakone

Black & Decker ilmoittaa, että tuotteet, jotka on kuvattu kohdassa "Tekniset tiedot" ovat seuraavien direktiivien vaatimusten mukaisia:

2006/42/EY, EN 60745-1:1010, EN 60745-2-1:2010

Nämä tuotteet täyttävät myös direktiivien 2004/30/EU ja 2011/65/EU vaatimukset. Lisätietoja saa ottamalla yhteyden Black & Decker seuraavassa osoitteessa. Tiedot ovat myös käyttöohjeen takakannessa.

Allekirjoittanut vastaa teknisten tietojen kokoamisesta tehden tämän ilmoituksen Black & Decker.

R. Laverick

Tekninen päällikkö

Black & Decker Europe, 270 Bath Road, Slough,

Berkshire, SL1 4DX

Iso-Britannia

19/05/2020

Takuu

Black & Decker on vakuuttanut tuotteidensa korkeasta laadusta ja tarjoaa kuluttajille 24 kuukauden takuun, joka astuu voimaan ostopäivänä. Takuu on lisäksi kuluttajan laillisiin oikeuksiin eikä vaikuta niihin. Tämä takuu on voimassa kaikissa EU- ja ETA-maissa.

Edellytyksenä takuun saamiselle on, että vaade täyttää Black & Decker ehdot ja että ostaja toimittaa ostosoitteen jälleenmyyjälle tai valtuutetulle huoltoliikkeelle.

Black & Deckerin 2 vuoden takuun ehdot ja lähimmän valtuutetun korjauspalvelun yhteystiedot ovat saatavilla osoitteessa www.2helpU.com tai ottamalla yhteyttä paikalliseen Black & Deckerin toimipisteeseen tässä ohjekirjassa ilmoitettuihin osoitteisiin.

Käy verkkosivuiltamme osoitteessa www.blackanddecker.co.uk ja rekisteröi uusi Black & Decker -tuotteesi saadaksesi tietoa uusista tuotteista ja erikoistarjousista.

Προβλεπόμενη χρήση

Το κρουστικό δράπανο BLACK+DECKER BCD700S έχει σχεδιαστεί για εφαρμογές βιδώματος και για διάτρηση σε ξύλο, μέταλλο και τοιχοποιία. Αυτό το εργαλείο προορίζεται μόνο για ερασιτεχνική χρήση.

Οδηγίες ασφαλείας

Γενικές προειδοποιήσεις ασφαλείας για ηλεκτρικά εργαλεία



Προειδοποίηση! Διαβάστε όλες τις προειδοποιήσεις ασφαλείας, τις οδηγίες, τις απεικονίσεις και τις προδιαγραφές που συνοδεύουν αυτό το ηλεκτρικό εργαλείο.

Η μη τήρηση οποιασδήποτε από τις οδηγίες που αναφέρονται πιο κάτω μπορεί να έχει ως αποτέλεσμα ηλεκτροπληξία, πυρκαγιά και/ή σοβαρό τραυματισμό.

Φυλάξτε όλες τις προειδοποιήσεις και τις οδηγίες για μελλοντική αναφορά. Ο όρος "ηλεκτρικό εργαλείο" που χρησιμοποιείται σε όλες τις παρακάτω προειδοποιήσεις, αναφέρεται είτε σε

εργαλείο που λειτουργεί με ρεύμα δικτύου (ρεύματος - με καλώδιο) είτε σε εργαλείο που λειτουργεί με μπαταρία (μπαταρίας - χωρίς καλώδιο).

1. Ασφάλεια χώρου εργασίας

a. Διατηρείτε την περιοχή εργασίας καθαρή και καλά φωτισμένη. Οι ατακτοποίητοι ή σκοτεινοί χώροι γίνονται αιτίες ατυχημάτων.

b. Μη χρησιμοποιείτε ηλεκτρικά εργαλεία σε περιβάλλον όπου υπάρχει κίνδυνος έκρηξης, π.χ. με παρουσία εύφλεκτων υγρών, αερίων ή σκόνης. Τα ηλεκτρικά εργαλεία παράγουν σπινθήρες που μπορεί να προκαλέσουν ανάφλεξη της σκόνης ή των αναθυμιάσεων.

c. Όταν χρησιμοποιείτε ηλεκτρικό εργαλείο κρατάτε μακριά παιδιά και τυχόν άλλα παρευρισκόμενα άτομα. Παράγοντες που αποσπούν την προσοχή μπορεί να σας κάνουν να χάσετε τον έλεγχο.

2. Ασφαλής χρήση ηλεκτρικού ρεύματος

a. Το φως του καλωδίου του ηλεκτρικού εργαλείου πρέπει να ταιριάζει στην αντίστοιχη πρίζα. Σε καμία περίπτωση μην τροποποιήσετε το φως, με κανένα τρόπο.

Μη χρησιμοποιείτε φως προσαρμογής με γειωμένα ηλεκτρικά εργαλεία. Τα φως που δεν έχουν υποστεί τροποποιήσεις και οι κατάλληλες πρίζες μειώνουν τον κίνδυνο ηλεκτροπληξίας.

b. Αποφύγετε την επαφή του σώματος με γειωμένες επιφάνειες όπως σωλήνες, σώματα καλοριφέρ, κουζίνες και ψυγεία. Υπάρχει αυξημένος κίνδυνος ηλεκτροπληξίας αν το σώμα σας είναι γειωμένο.

c. Μην εκθέτετε τα ηλεκτρικά εργαλεία σε βροχή ή υγρασία. Η διείσδυση νερού σε ένα ηλεκτρικό εργαλείο αυξάνει τον κίνδυνο ηλεκτροπληξίας.

d. Μην κακομεταχειρίζεστε το καλώδιο. Ποτέ μη χρησιμοποιήσετε το καλώδιο για να μεταφέρετε, να τραβήξετε ή να αποσυνδέσετε από την πρίζα το ηλεκτρικό εργαλείο. Κρατάτε το καλώδιο μακριά από θερμότητα, λάδια, αιχμηρά άκρα ή κινούμενα μέρη. Τα καλώδια που έχουν υποστεί ζημιά ή είναι μπλεδωμένα αυξάνουν τον κίνδυνο ηλεκτροπληξίας.

e. Όταν χρησιμοποιείτε το ηλεκτρικό εργαλείο σε εξωτερικούς χώρους, να χρησιμοποιείτε πάντοτε καλώδια επέκτασης κατάλληλα για χρήση σε εξωτερικούς χώρους. Η χρήση καλωδίου κατάλληλου για εργασία σε εξωτερικούς χώρους μειώνει τον κίνδυνο ηλεκτροπληξίας.

f. Εάν είναι αναπόφευκτη η χρήση ηλεκτρικού εργαλείου σε υγρή τοποθεσία, χρησιμοποιήστε μια Διάταξη προστασίας ρεύματος διαρροής (RCD). Η χρήση μιας διάταξης RCD μειώνει τον κίνδυνο ηλεκτροπληξίας.

3. Προσωπική ασφάλεια

a. Όταν χρησιμοποιείτε ηλεκτρικό εργαλείο, να είστε προσεκτικοί, να δίνετε προσοχή στην εργασία που κάνετε και να επιστρατεύετε την κοινή λογική. Μη χρησιμοποιείτε ηλεκτρικό εργαλείο όταν είστε κουρασμένος/ή ή υπό την επήρεια ναρκωτικών, οινοπνευματώδους ή φαρμακευτικής αγωγής. Μια στιγμή απροσεξίας κατά τη χρήση ηλεκτρικών εργαλείων μπορεί να προκαλέσει σοβαρό τραυματισμό.

b. Χρησιμοποιείτε εξοπλισμό ατομικής προστασίας. Πάντα φοράτε προστασία ματιών. Ο εξοπλισμός προστασίας, όπως μάσκα κατά της σκόνης, αντιολισθητικά παπούτσια ασφαλείας, κράνος ή προστασία ακοής, όταν χρησιμοποιείται για τις κατάλληλες συνθήκες, θα μειώσει τους τραυματισμούς και τις σωματικές βλάβες.

c. Εμποδίστε την ακούσια ενεργοποίηση του εργαλείου. Βεβαιωθείτε ότι ο διακόπτης βρίσκεται στη θέση απενεργοποίησης, πριν συνδέσετε το εργαλείο στην πηγή ρεύματος και/ή τοποθετήσετε το πακέτο μπαταρίας, καθώς και πριν πάρετε στα χέρια σας ή μεταφέρετε το εργαλείο. Η μεταφορά ηλεκτρικών εργαλείων με το δάχτυλο πάνω στο διακόπτη ή η σύνδεση στο ρεύμα ηλεκτρικών εργαλείων με τον διακόπτη στη θέση ενεργοποίησης, ενέχει κινδύνους ατυχημάτων.

d. Πριν θέσετε το ηλεκτρικό εργαλείο σε λειτουργία, αφαιρέστε τυχόν εργαλεία ή κλειδιά ρύθμισης. Εάν αφήσετε ένα εργαλείο ή κλειδί πάνω σε κάποιο περιστρεφόμενο εξάρτημα του ηλεκτρικού εργαλείου, μπορεί να προκληθούν τραυματισμοί.

e. Μην τεντώνετε υπερβολικά. Διατηρείτε πάντα σταθερή στήριξη στα πόδια σας και καλή ισορροπία. Έτσι μπορείτε να έχετε καλύτερο έλεγχο του ηλεκτρικού εργαλείου σε μη αναμενόμενες καταστάσεις.

- f. Φοράτε κατάλληλο ρουχισμό. Μη φοράτε φαρδιά ρούχα ούτε κοσμήματα. Κρατάτε τα μαλλιά και τα ρούχα σας μακριά από κινούμενα μέρη. Τα φαρδιά ρούχα, τα κοσμήματα και τα μακριά μαλλιά μπορούν να πιαστούν σε κινούμενα μέρη.
- g. Αν παρέχονται διατάξεις για τη σύνδεση εξοπλισμού απομάκρυνσης και συλλογής της σκόνης, να βεβαιώνετε ότι αυτές έχουν συνδεθεί και χρησιμοποιούνται σωστά. Η χρήση διατάξεων συλλογής της σκόνης μπορεί να μειώσει τους κινδύνους που προέρχονται από τη σκόνη.
- h. Μην αφήνετε την εξοικείωση που έχετε αποκτήσει από τη συχνή χρήση εργαλείων να σας επιτρέψει να εφησυχάσετε ώστε να αγνοείτε τις αρχές ασφαλούς χρήσης των εργαλείων. Μια απρόσεκτη ενέργεια μπορεί να προκαλέσει βαρύ τραυματισμό μέσα σε κλάσματα του δευτερολέπτου.
4. Χρήση και φροντίδα ηλεκτρικών εργαλείων
- a. Μην υπερφορτώνετε το ηλεκτρικό εργαλείο. Χρησιμοποιείτε το σωστό ηλεκτρικό εργαλείο για την εφαρμογή σας. Το σωστό ηλεκτρικό εργαλείο θα εκτελέσει την εργασία καλύτερα και ασφαλέστερα, με την ένταση χρήσης για την οποία σχεδιάστηκε.
- b. Μη χρησιμοποιείτε το ηλεκτρικό εργαλείο αν ο διακόπτης του δεν το ενεργοποιεί και απενεργοποιεί. Οποιοδήποτε ηλεκτρικό εργαλείο του οποίου η λειτουργία δεν μπορεί να ελεγχθεί με τον διακόπτη είναι επικίνδυνο και πρέπει να επισκευαστεί.
- c. Αποσυνδέστε το φις από την πηγή ρεύματος και/ή αφαιρέστε το πακέτο μπαταρίας, αν είναι αποσπώμενο, από το ηλεκτρικό εργαλείο πριν πραγματοποιήσετε οποιοδήποτε ρυθμίσεις, αλλάξετε αξεσουάρ ή αποθηκεύσετε ηλεκτρικά εργαλεία. Τέτοια προληπτικά μέτρα ασφαλείας μειώνουν το κίνδυνο αθέλητης εκκίνησης του ηλεκτρικού εργαλείου.
- d. Να φυλάσσετε μακριά από παιδιά τα ηλεκτρικά εργαλεία που δεν χρησιμοποιείτε και μην αφήνετε να χρησιμοποιήσουν ηλεκτρικό εργαλείο άτομα που δεν είναι εξοικειωμένα με αυτό ή άτομα που δεν έχουν διαβάσει αυτές τις οδηγίες χρήσης. Τα ηλεκτρικά εργαλεία είναι επικίνδυνα στα χέρια μη εκπαιδευμένων χρηστών.
- e. Συντηρείτε τα ηλεκτρικά εργαλεία και τα αξεσουάρ. Ελέγχετε για προβλήματα ευθυγράμμισης ή για μάγκωμα των κινούμενων εξαρτημάτων, θραύση εξαρτημάτων, καθώς και για οποιοδήποτε άλλο πρόβλημα μπορεί να επηρεάσει τη λειτουργία των ηλεκτρικών εργαλείων. Αν το ηλεκτρικό εργαλείο έχει υποστεί ζημιά, φροντίστε να επισκευαστεί πριν το χρησιμοποιήσετε. Η ανεπαρκής συντήρηση των ηλεκτρικών εργαλείων αποτελεί αιτία πολλών ατυχημάτων.
- f. Διατηρείτε τα κοπτικά εργαλεία κοφτερά και καθαρά. Τα κοπτικά εργαλεία με κοφτερές κοπτικές αιχμές που συντηρούνται σωστά έχουν λιγότερες πιθανότητες να μαγκώσουν και ελέγχονται ευκολότερα.
- g. Να χρησιμοποιείτε τα ηλεκτρικά εργαλεία, τα αξεσουάρ, τις μύτες εργαλείων κλπ. σύμφωνα με τις παρούσες οδηγίες, λαμβάνοντας υπόψη σας τις συνθήκες εργασίας και την εργασία που θέλετε να εκτελέσετε. Η χρήση του ηλεκτρικού εργαλείου για εργασίες διαφορετικές από τις προβλεπόμενες θα μπορούσε να οδηγήσει σε επικίνδυνη κατάσταση.
- h. Διατηρείτε στεγνές και καθαρές τις λαβές και τις επιφάνειες κρατήματος στεγνές, καθαρές και απαλλαγμένες από λάδι και γράσο. Οι ολισθηρές λαβές και επιφάνειες κρατήματος δεν επιτρέπουν τον ασφαλή χειρισμό και έλεγχο του εργαλείου σε μη αναμενόμενες καταστάσεις.
5. Χρήση και φροντίδα εργαλείων μπαταρίας (χρησιμοποιείται μόνο για εργαλεία μπαταρίας)
- a. Να επαναφορτίζετε μόνο με τον φορτιστή που καθορίζει ο κατασκευαστής. Ένας φορτιστής που είναι κατάλληλος για ένα τύπο πακέτου μπαταρίας μπορεί να δημιουργήσει κίνδυνο πυρκαγιάς όταν χρησιμοποιείται με άλλο πακέτο μπαταρίας.
- b. Χρησιμοποιείτε τα ηλεκτρικά εργαλεία αποκλειστικά και μόνο με τα καθοριζόμενα πακέτα μπαταρίας. Η χρήση άλλων πακέτων μπαταρίας μπορεί να προκαλέσει κίνδυνο τραυματισμού και πυρκαγιάς.
- c. Όταν το πακέτο μπαταρίας δεν χρησιμοποιείται, μην το πλησιάζετε σε μεταλλικά αντικείμενα, όπως συνδετήρες, κέρματα, κλειδιά, καρφιά, βίδες ή άλλα μικρά μεταλλικά αντικείμενα που μπορούν να βραχυκυκλώσουν τους δύο ακροδέκτες του. Αν βραχυκυκλωθούν οι ακροδέκτες της μπαταρίας, μπορεί να προκληθούν εγκαύματα ή πυρκαγιά.
- d. Αν οι μπαταρίες υποστούν κακομεταχείριση, μπορεί να διαρρεύσει υγρό. Αποφύγετε την επαφή. Αν κατά λάθος έρθετε σε επαφή, ξεπλύνετε με νερό. Σε περίπτωση που το υγρό έλθει σε επαφή με τα μάτια σας, ζητήστε επιπλέον και ιατρική βοήθεια. Το υγρό που εξέρχεται από την μπαταρία μπορεί να προκαλέσει ερεθισμό ή εγκαύματα.
- e. Μη χρησιμοποιήσετε πακέτο μπαταρίας ή εργαλείο που έχει υποστεί ζημιά ή τροποποίηση. Οι μπαταρίες που έχουν υποστεί ζημιά ή τροποποίηση μπορεί να έχουν απρόβλεπτη συμπεριφορά, με αποτέλεσμα φωτιά, έκρηξη ή κίνδυνο τραυματισμού.

f. Μην εκθέσετε ένα πακέτο μπαταρίας ή εργαλείο σε φωτιά ή υπερβολική θερμοκρασία. Η έκθεση σε φωτιά ή σε θερμοκρασία πάνω από 130 °C μπορεί να προκαλέσει έκρηξη. ΣΗΜΕΙΩΣΗ: Η θερμοκρασία "130 °C" μπορεί να αντικατασταθεί από τη θερμοκρασία "265 °F".

g. Τηρείτε όλες τις οδηγίες φόρτισης και μη φορτίζετε το πακέτο μπαταρίας ή το εργαλείο εκτός των ορίων θερμοκρασίας που ορίζονται στις προδιαγραφές. Η ακατάλληλη φόρτιση ή η φόρτιση σε θερμοκρασίες εκτός των προβλεπόμενων ορίων μπορεί να προξενήσει ζημιά στην μπαταρία και να αυξήσει τον κίνδυνο φωτιάς.

6. Σέρβις

a. Το σέρβις του ηλεκτρικού σας εργαλείου πρέπει να αναλαμβάνει έμπειρος τεχνικός που θα χρησιμοποιεί μόνο γνήσια ανταλλακτικά. Έτσι θα εξασφαλίσετε τη διατήρηση της ασφάλειας του ηλεκτρικού εργαλείου.

b. Ποτέ μην κάνετε σέρβις σε πακέτα μπαταρίας που έχουν υποστεί ζημιά. Το σέρβις των πακέτων μπαταρίας πρέπει να γίνεται μόνο από τον κατασκευαστή ή από εξουσιοδοτημένους παρόχους σέρβις (χρησιμοποιείται μόνο για εργαλεία μπαταρίας).

Πρόσθετες προειδοποιήσεις ασφαλείας για ηλεκτρικά εργαλεία



Προειδοποίηση! Συμπληρωματικές προειδοποιήσεις ασφαλείας για δρόπανα

- Χρησιμοποιείτε τις βοηθητικές λαβές που παρέχονται μαζί με το εργαλείο. Η απώλεια ελέγχου μπορεί να προκαλέσει τραυματισμό.
- Κρατάτε το ηλεκτρικό εργαλείο από τις μονωμένες επιφάνειες συγκράτησης όταν εκτελείτε κάποια εργασία κατά την οποία το αξεσουάρ κοπής μπορεί να έρθει σε επαφή με αθέατα καλώδια. Ένα αξεσουάρ κοπής το οποίο έρχεται σε επαφή με ηλεκτροφόρο καλώδιο μπορεί να καταστήσει ηλεκτροφόρο και τα εκτεθειμένα μεταλλικά μέρη του ηλεκτρικού εργαλείου και να προκαλέσει ηλεκτροπληξία στον χειριστή του.
- Συγκρατήστε σωστά το εργαλείο πριν τη χρήση. Αυτό το εργαλείο παράγει υψηλή ροπή εξόδου και αν δεν συγκρατείτε σωστά το εργαλείο κατά τη λειτουργία μπορεί να προκύψει απώλεια ελέγχου με αποτέλεσμα τραυματισμό σας.
- Κρατάτε το ηλεκτρικό εργαλείο από τις μονωμένες επιφάνειες συγκράτησης, όταν εκτελείτε κάποια εργασία κατά την οποία το στοιχείο στερέωσης μπορεί να έρθει σε επαφή με αθέατα καλώδια. Αν το στοιχείο στερέωσης έρθει σε επαφή με καλώδιο υπό τάση, μπορεί να τεθούν υπό ηλεκτρική τάση και τα εκτεθειμένα μεταλλικά μέρη του ηλεκτρικού εργαλείου και να προκληθεί ηλεκτροπληξία στον χειριστή.

- Χρησιμοποιείτε σφιγκτήρες ή άλλο πρακτικό μέσο για να στερεώνετε και να στηρίζετε το αντικείμενο εργασίας σε σταθερό υπόβαθρο. Αν κρατάτε το αντικείμενο εργασίας με το χέρι σας ή κόντρα στο σώμα σας, δεν υπάρχει σταθερότητα και μπορεί να προκληθεί απώλεια του ελέγχου.
- Πριν τη διάτρηση τοίχων, δαπέδων ή ταβανιών, ελέγχετε για τις θέσεις καλωδιώσεων και σωλήνων.
- Αποφεύγετε να αγγίζετε την άκρη του τρυπανιού αμέσως μετά τη διάτρηση, καθώς μπορεί να καίει.
- Η προβλεπόμενη χρήση περιγράφεται στο παρόν εγχειρίδιο οδηγιών. Η χρήση οποιουδήποτε αξεσουάρ ή προσαρτήματος ή η εκτέλεση με αυτό το εργαλείο οποιασδήποτε εργασίας διαφορετικής από αυτές που συνιστώνται στο παρόν εγχειρίδιο οδηγιών ενδέχεται να εγκυμονεί κίνδυνο σωματικής βλάβης και/ή υλικών ζημιών.

Οδηγίες ασφαλείας για την περίπτωση χρήσης τρυπανιών μεγάλου μήκους

- Ποτέ μη χρησιμοποιείτε ταχύτητα υψηλότερη από τη μέγιστη ονομαστική ταχύτητα του τρυπανιού. Σε υψηλότερες ταχύτητες, το τρυπάνι είναι πιθανό να λυγίσει αν επιτραπεί να περιστραφεί ελεύθερα χωρίς να είναι σε επαφή με το αντικείμενο εργασίας, με αποτέλεσμα τραυματισμό.
- Πάντα να ξεκινάτε τη διάτρηση σε χαμηλή ταχύτητα και με τη μύτη του τρυπανιού σε επαφή με το αντικείμενο εργασίας. Σε υψηλότερες ταχύτητες, το τρυπάνι είναι πιθανό να λυγίσει αν επιτραπεί να περιστραφεί ελεύθερα χωρίς να είναι σε επαφή με το αντικείμενο εργασίας, με αποτέλεσμα τραυματισμό.
- Εφαρμόζετε πίεση μόνο σε ευθεία γραμμή ή με το τρυπάνι και μην εφαρμόζετε υπερβολική πίεση. Τα τρυπάνια μπορεί να λυγίσουν προκαλώντας θραύση ή απώλεια του ελέγχου με αποτέλεσμα τραυματισμό.

Ασφάλεια τρίτων

- Αυτό το εργαλείο δεν προορίζεται για χρήση από άτομα (στα οποία περιλαμβάνονται και τα παιδιά) με μειωμένες σωματικές, αντιληπτικές ή διανοητικές ικανότητες ή άτομα χωρίς εμπειρία και γνώσεις, παρά μόνο εφόσον επιτηρούνται ή τους έχουν δοθεί από άτομο υπεύθυνο για την ασφάλειά τους οδηγίες σχετικά με τη χρήση του εργαλείου.
- Τα παιδιά πρέπει να επιτηρούνται για να διασφαλίζεται ότι δεν παίζουν με τη συσκευή.

Υπολειπόμενοι κίνδυνοι

Κατά τη χρήση του εργαλείου μπορεί να δημιουργηθούν πρόσθετοι υπολειπόμενοι κίνδυνοι, οι οποίοι ενδέχεται να μη συμπεριλαμβάνονται στις προειδοποιήσεις ασφαλείας που εσωκλείονται. Αυτοί οι κίνδυνοι μπορεί να προκληθούν από κακή χρήση, παρατεταμένη χρήση κλπ. Παρά την εφαρμογή των σχετικών κανονισμών ασφαλείας και τη χρήση διατάξεων ασφαλείας, ορισμένοι υπολειπόμενοι κίνδυνοι δεν είναι δυνατό να αποφευχθούν. Σε αυτούς περιλαμβάνονται:

- Τραυματισμοί από την επαφή με οποιαδήποτε περιστρεφόμενα/κινούμενα μέρη.
- Τραυματισμοί από αλλαγή οπιοινδύποτε εξαρτημάτων, λεπίδων ή αξεσουάρ.
- Σωματικές βλάβες από παρατεταμένη χρήση εργαλείου. Όταν χρησιμοποιείτε οποιοδήποτε εργαλείο για παρατεταμένα χρονικά διαστήματα, μην παραλείπετε με κανένα τρόπο να κάνετε τακτικά διαλείμματα.
- Βλάβη της ακοής.
- Κίνδυνοι για την υγεία λόγω εισπνοής σκόνης που αναπτύσσεται κατά τη χρήση του εργαλείου (παράδειγμα:- εργασία με ξύλο, ειδικά βελανιδιά, οξιά και MDF).

Κραδασμοί

Η δηλωμένη τιμή εκπομπής κραδασμών που αναφέρεται στα τεχνικά χαρακτηριστικά και στη δήλωση συμμόρφωσης έχει μετρηθεί σύμφωνα με τυποποιημένη μέθοδο δοκιμής που παρέχεται από το πρότυπο EN 60745 και μπορεί να χρησιμοποιηθεί για τη σύγκριση ενός εργαλείου με ένα άλλο. Η δηλωμένη τιμή εκπομπής κραδασμών μπορεί επίσης να χρησιμοποιηθεί σε έναν προκαταρκτικό προσδιορισμό της έκθεσης σε κραδασμούς.

Προειδοποίηση! Στην πράξη, η τιμή εκπομπής κραδασμών κατά την χρήση του ηλεκτρικού εργαλείου μπορεί να διαφέρει από την τιμή που δηλώθηκε, ανάλογα με τον τρόπο που χρησιμοποιείται το εργαλείο. Το επίπεδο κραδασμών μπορεί να αυξηθεί πάνω από το επίπεδο που έχει δηλωθεί.

Κατά τον προσδιορισμό της έκθεσης σε κραδασμούς για τον καθορισμό των απαιτούμενων μέτρων ασφαλείας σύμφωνα με την οδηγία 2002/44/EK για την προστασία προσώπων που χρησιμοποιούν συχνά ηλεκτρικά εργαλεία στην εργασία τους, μια προσεγγιστική εκτίμηση της έκθεσης σε κραδασμούς πρέπει να λαμβάνει υπόψη τις πραγματικές συνθήκες χρήσης και τον τρόπο χρήσης του εργαλείου, συμπεριλαμβανομένων και όλων των επιμέρους τμημάτων του κύκλου εργασίας, όπως τα χρονικά διαστήματα που το εργαλείο ήταν εκτός λειτουργίας και τα διαστήματα λειτουργίας χωρίς φορτίο, επιπλέον του χρόνου πίεσης της σκανδάλης.

Ετικέτες πάνω στο εργαλείο

Το εργαλείο φέρει τα παρακάτω προειδοποιητικά σύμβολα μαζί με τον κωδικό ημερομηνίας:



Προειδοποίηση! Για να μειωθεί ο κίνδυνος τραυματισμού, ο χρήστης πρέπει να διαβάσει το εγχειρίδιο οδηγιών.

Πρόσθετες οδηγίες ασφαλείας για μπαταρίες και φορτιστές (Δεν παρέχονται με το εργαλείο)

Μπαταρίες

- Ποτέ μην επιχειρήσετε να τις ανοίξετε, για κανένα λόγο.
- Μην εκθέτετε την μπαταρία σε νερό.
- Μη φυλάσσετε τις μπαταρίες σε μέρη όπου η θερμοκρασία μπορεί να υπερβεί τους 40 °C.
- Η φόρτιση πρέπει να γίνεται μόνο σε θερμοκρασίες περιβάλλοντος μεταξύ 10 °C και 40 °C.

- Φορτίζετε μόνο με τη χρήση του φορτιστή που παρέχεται με το εργαλείο.
- Όταν απορρίπτετε μπαταρίες, τηρείτε τις οδηγίες στην ενότητα "Προστασία του περιβάλλοντος".



Μην επιχειρήσετε να φορτίσετε μπαταρίες που έχουν υποστεί ζημιά.

Φορτιστές

- Χρησιμοποιείτε τον φορτιστή BLACK+DECKER αποκλειστικά και μόνο για τη φόρτιση της μπαταρίας στο εργαλείο το οποίο συνόδευε. Άλλες μπαταρίες ενδέχεται να εκραγούν, προκαλώντας τραυματισμό ατόμων και ζημιές.
- Ποτέ μην επιχειρήσετε να φορτίσετε μη επαναφορτιζόμενες μπαταρίες.
- Να φροντίζετε να αντικαθίστανται άμεσα τα καλώδια που έχουν υποστεί ζημιά.
- Μην εκθέτετε την μπαταρία σε νερό.
- Μην ανοίξετε τον φορτιστή.
- Μην βάζετε οποιαδήποτε αντικείμενα μέσα στο φορτιστή.



Ο φορτιστής προορίζεται για χρήση μόνο σε εσωτερικούς χώρους.



Διαβάστε το εγχειρίδιο οδηγιών πριν τη χρήση.

Ασφαλής χρήση ηλεκτρικού ρεύματος



Ο φορτιστής σας φέρει διπλή μόνωση. Επομένως, δεν απαιτείται αγωγός γείωσης. Ελέγχετε πάντα ότι η τάση ρεύματος δικτύου συμφωνεί με αυτήν που αναγράφεται στην πινακίδα τεχνικών χαρακτηριστικών. Ποτέ μη επιχειρήσετε να αντικαταστήσετε τη μονάδα φορτιστή με κανονικό φως ρεύματος δικτύου.

- Αν το καλώδιο ρεύματος έχει υποστεί ζημιά, πρέπει να αντικατασταθεί από τον κατασκευαστή ή εξουσιοδοτημένο κέντρο σέρβις BLACK+DECKER, για την αποφυγή κινδύνου.

Χαρακτηριστικά

Στο εργαλείο αυτό διατίθενται μερικά από ή όλα τα παρακάτω χαρακτηριστικά.

1. Διακόπτης ρύθμισης ταχύτητας
2. Συρόμενος επιλογέας περιστροφής εμπρός/όπισθεν
3. Κολάρο ρύθμισης ροτής
4. Αυτόματο τσοκ
5. Μηχανισμός διπλού εύρους ταχυτήτων
6. Μπαταρία (x2 με BCD700S2S)
7. Κομπτί απελευθέρωσης μπαταρίας
8. Υποδοχή μύτης κατασβιδιού

Συναρμολόγηση

Χρήση

Προειδοποίηση! Αφήνετε το εργαλείο να λειτουργήσει με τον δικό του ρυθμό. Μην το υπερφορτώνετε.

Φόρτιση της μπαταρίας (εικ. Α)

Η μπαταρία πρέπει να φορτιστεί πριν την πρώτη χρήση και όταν δεν μπορεί πλέον να παρέχει επαρκή ισχύ σε εργασίες που πριν γινότουσαν εύκολα. Η μπαταρία μπορεί να θερμαίνεται κατά τη φόρτιση. Κάτι τέτοιο είναι φυσιολογικό και δεν υποδηλώνει πρόβλημα.

Προειδοποίηση! Μη φορτίζετε την μπαταρία σε θερμοκρασίες περιβάλλοντος κάτω από 10 °C ή πάνω από 40 °C. Η συνιστώμενη θερμοκρασία φόρτισης είναι περίπου 24 °C.

Σημείωση: Ο φορτιστής δεν θα φορτίσει μια μπαταρία με θερμοκρασία κυψέλης κάτω από περίπου 10 °C ή πάνω από 40 °C.

Η μπαταρία θα πρέπει να παραμείνει στον φορτιστή και αυτός θα αρχίσει να τη φορτίζει αυτόματα μόλις η θερμοκρασία κυψέλης αυξηθεί ή μειωθεί αντίστοιχα.

- Συνδέστε τον φορτιστή σε οποιαδήποτε κανονική πρίζα ρεύματος 230 V 50 Hz.
- Τοποθετήστε το πακέτο μπαταρίας μέσα στον φορτιστή όπως δείχνει η εικ. Α.
- Η πράσινη LED θα αναβοσβήνει υποδεικνύοντας ότι η μπαταρία φορτίζεται.
- Η ολοκλήρωση της φόρτισης υποδεικνύεται από τη μόνιμα αναμμένη πράσινη LED. Το πακέτο μπαταρίας είναι τώρα πλήρως φορτισμένο και μπορεί να χρησιμοποιηθεί άμεσα ή να παραμείνει στον φορτιστή.

Προειδοποίηση! Κίνδυνος φωτιάς. Όταν αποσυνδέετε τον φορτιστή από το εργαλείο, να βεβαιώνετε να αποσυνδέετε πρώτα το φορτιστή από την πρίζα και κατόπιν να αποσυνδέετε το καλώδιο του φορτιστή από το εργαλείο.

Τοποθέτηση και αφαίρεση του πακέτου μπαταρίας από το εργαλείο (εικ. Β)

Προειδοποίηση! Πριν την αφαίρεση ή την τοποθέτηση της μπαταρίας, βεβαιωθείτε ότι έχετε χρησιμοποιήσει το κουμπί ασφάλισης, για να αποφύγετε ενεργοποίηση του διακόπτη. Για να τοποθετήσετε το πακέτο μπαταρίας:

- Εισάγετε το πακέτο μπαταρίας στο εργαλείο, έως ότου ακούσετε χαρακτηριστικό ήχο κλικ (εικ. Β)

Αφαίρεση του πακέτου μπαταρίας από το εργαλείο (εικ. C)

- Πατήστε το κουμπί απελευθέρωσης της μπαταρίας όπως δείχνει η (εικ. C) και τραβήξτε το πακέτο μπαταρίας έξω από το εργαλείο.

Οδηγίες Χρήσης

Διακόπτης τύπου σκανδάλης και κουμπί αντιστροφής κίνησης

- Ενεργοποιείτε και απενεργοποιείτε το δράπανο πατώντας και αφήνοντας αντίστοιχα τον διακόπτη τύπου σκανδάλης (1). Όσο περισσότερο πατάτε τη σκανδάλη, τόσο μεγαλύτερη είναι η ταχύτητα του δραπάνου.
- Ένα κουμπί ελέγχου περιστροφής εμπρός/όπισθεν (2) καθορίζει την κατεύθυνση κίνησης του εργαλείου και ταυτόχρονα χρησιμεύει και ως κουμπί ασφάλισης.

- Για να επιλέξετε περιστροφή εμπρός, αφήστε ελεύθερο τον διακόπτη τύπου σκανδάλης και πιέστε προς τα αριστερά το κουμπί ελέγχου περιστροφής εμπρός/όπισθεν.

- Για να επιλέξετε όπισθεν, πιέστε το κουμπί ελέγχου περιστροφής εμπρός/όπισθεν στην αντίθετη κατεύθυνση.

Σημείωση: Η μεσαία θέση του κουμπιού ελέγχου ασφαλίσει το εργαλείο στη θέση απενεργοποίησης. Όταν αλλάζετε τη θέση του κουμπιού ελέγχου, να βεβαιώνετε ότι προηγούμενος έχει ελευθερωθεί η σκανδάλη.

Έλεγχος της ροπής (εικ. D)

Αυτό το εργαλείο είναι εξοπλισμένο με ένα κολάρο (3) για την επιλογή τρόπου λειτουργίας και για τη ρύθμιση της ροπής, όταν σφίγγετε βίδες. Οι μεγάλες βίδες και τα σκληρά αντικείμενα εργασίας χρειάζονται υψηλότερη ρύθμιση ροπής από τις μικρές βίδες και τα μαλακά αντικείμενα εργασίας.

- Για διάτρηση σε ξύλο, μέταλλο και πλαστικό, ρυθμίστε το κολάρο στη θέση με το σύμβολο της διάτρησης
- Για βιδώμα, θέστε το κολάρο στην επιθυμητή ρύθμιση. Αν δεν γνωρίζετε ακόμη την κατάλληλη ρύθμιση, προχωρήστε ως εξής:
- Τοποθετήστε το κολάρο στη χαμηλότερη ρύθμιση ροπής.
- Σφίξτε την πρώτη βίδα.
- Αν ο συμπλέκτης αποσυμπλέκεται πριν επιτύχετε το επιθυμητό αποτέλεσμα, αυξήστε τη ρύθμιση ροπής από το κολάρο και συνεχίστε τη σύσφιξη της βίδας. Επαναλάβετε μέχρι να επιτύχετε τη σωστή ρύθμιση. Χρησιμοποιήστε την ίδια ρύθμιση και για τις υπόλοιπες βίδες.

Αυτόματο τσοκ (εικ.Ε)

Προειδοποίηση! Πριν την εγκατάσταση ή αφαίρεση αξεσουάρ, να βεβαιώνετε ότι έχετε χρησιμοποιήσει το κουμπί ασφάλισης, για να αποφύγετε ενεργοποίηση του διακόπτη.

Για να τοποθετήσετε ένα τρυπάνι ή άλλο αξεσουάρ:

- Πιάστε το πίσω μισό του τσοκ (4) με το ένα χέρι και χρησιμοποιήστε το άλλο χέρι για να περιστρέψετε το εμπρός μισό σε αριστερόστροφη κατεύθυνση όπως το βλέπετε από το άκρο τσοκ.
- Τοποθετήστε το τρυπάνι ή άλλο αξεσουάρ τελείως μέσα στο τσοκ και σφίξτε το τσοκ καλά κρατώντας το πίσω μισό του τσοκ και περιστρέφοντας το μπροστινό τμήμα δεξιόστροφα όπως φαίνεται από το άκρο τσοκ.

Προειδοποίηση! Μην επιχειρήσετε να σφίξετε τρυπάνια (ή οποιοδήποτε άλλο αξεσουάρ) πιάνοντας το μπροστινό τμήμα του τσοκ και ενεργοποιώντας το εργαλείο. Μπορεί να προκληθεί ζημιά στο τσοκ και τραυματισμός κατά την αλλαγή των αξεσουάρ με αυτόν τον τρόπο.

Μηχανισμός διπλού εύρους ταχυτήτων (Εικόνα F)

Το χαρακτηριστικό διπλού εύρους ταχυτήτων του δραπάνου, σας επιτρέπει να αλλάζετε ταχύτητες για μεγαλύτερη ευελιξία χρήσης. Για να επιλέξετε τη ρύθμιση χαμηλής ταχύτητας, υψηλής ροπής (θέση 1), απενεργοποιήστε το εργαλείο και αφήστε το να σταματήσει. Μετακινήστε το κουμπί επιλογής ταχύτητας (5) σε κατεύθυνση αντίθετη του τσοκ. Για να επιλέξετε τη ρύθμιση υψηλής ταχύτητας, χαμηλής ροπής (θέση 2), απενεργοποιήστε το εργαλείο και αφήστε το

να σταματήσει.

Μετακινήστε το κουμπί επιλογής ταχύτητας προς την κατεύθυνση του τσοκ.

Σημείωση: Μην αλλάζετε ταχύτητα με το εργαλείο εν κινήσει.

Αν δυσκολεύεστε στην αλλαγή ταχυτήτων, βεβαιωθείτε ότι το κουμπί μηχανισμού διπλού εύρους ταχυτήτων έχει μετακινηθεί είτε τελείως μπροστά είτε τελείως πίσω.

Διάτρηση/βίδωμα

- Επιλέξτε περιστροφή εμπρός ή όπισθεν χρησιμοποιώντας τον συρόμενο επιλογέα περιστροφής εμπρός/όπισθεν (2).
- Για να ενεργοποιήσετε το εργαλείο, πιέστε τον διακόπτη (1). Η ταχύτητα λειτουργίας του εργαλείου εξαρτάται από το πόσο πιέζετε τον διακόπτη.
- Για να απενεργοποιήσετε το εργαλείο, αφήστε ελεύθερο τον διακόπτη.

Συμβουλές για βέλτιστη χρήση

Διάτρηση

- Χρησιμοποιείτε αιχμηρά τρυπάνια και μόνο.
- Υποστηρίξτε και στερεώστε σωστά το αντικείμενο εργασίας, όπως υποδεικνύεται στις Οδηγίες ασφαλείας.
- Χρησιμοποιείτε τον κατάλληλο και απαιτούμενο εξοπλισμό ασφαλείας, όπως υποδεικνύεται στις Οδηγίες ασφαλείας.
- Προστατεύετε και διατηρείτε σε καλή κατάσταση την περιοχή εργασίας, όπως υποδεικνύεται στις Οδηγίες ασφαλείας.
- Ξεκινάτε τη διάτρηση με πολύ μικρή ταχύτητα, χρησιμοποιώντας μόνο μικρή πίεση, έως ότου ξεκινήσει η σπή και επαρκεί να συγκρατεί το τρυπάνι χωρίς να κινδυνεύει να γλιστρήσει έξω από αυτή.
- Ασκήτε πίεση σε ευθεία γραμμή με το τρυπάνι. Ασκήτε όση πίεση χρειάζεται για να μπορεί το τρυπάνι να προχωράει μέσα στο αντικείμενο, όχι όμως σε υπερβολικό βαθμό γιατί υπάρχει κίνδυνος να ακινητοποιηθεί το μοτέρ ή να λυγίσει το τρυπάνι.
- Κρατάτε το δράπανο καλά και με τα δύο χέρια, ώστε να ελέγχετε την κίνηση συστροφής του.
- ΑΝ ΤΟ ΔΡΑΠΑΝΟ ΑΚΙΝΗΤΟΠΟΙΗΘΕΙ, ΜΗΝ ΠΑΤΑΤΕ ΚΑΙ ΑΦΗΝΕΤΕ ΤΗ ΣΚΑΝΔΑΛΗ ΠΡΟΣΠΛΑΘΩΝΤΑΣ ΝΑ ΤΟ ΘΕΣΕΤΕ ΠΑΛΙ ΣΕ ΚΙΝΗΣΗ. ΜΠΟΡΕΙ ΝΑ ΠΡΟΚΛΗΘΕΙ ΖΗΜΙΑ ΣΤΟ ΔΡΑΠΑΝΟ.
- Ελαχιστοποιήστε το ενδεχόμενο κολλήματος κατά το τελικό άνοιγμα της σπή μειώνοντας την πίεση και τρυπώντας αργά στο τελευταίο τμήμα της σπή.
- Αφήστε το μοτέρ να λειτουργεί καθώς αφαιρείτε το τρυπάνι από μια σπή που μόλις διανοίξατε. Αυτό συμβάλλει στον περιορισμό του προβλήματος της αθέλητης ακινητοποίησης.
- Βεβαιωθείτε ότι ο διακόπτης ενεργοποιεί και απενεργοποιεί το δράπανο.

Διάτρηση σε ξύλο

Οι σπές στο ξύλο μπορούν να γίνουν με τα ίδια ελικοειδή τρυπάνια που χρησιμοποιούνται για μέταλλο, ή με τρυπάνια τύπου φτερού. Αυτά τα τρυπάνια θα πρέπει να είναι αιχμηρά και να τα τραβάτε έξω συχνά κατά τη διάτρηση ώστε να

φεύγουν τα πριονίδια από τις αυλακώσεις τους.

Διάτρηση σε μέταλλο

Χρησιμοποιείτε λιπαντικό κοπής κατά τη διάτρηση μετάλλων. Εξαιρέσεις είναι ο χυτοσίδηρος και ο ορείχαλκος όπου πρέπει να γίνεται ξηρή διάτρηση. Τα πιο αποτελεσματικά λιπαντικά κοπής είναι το θειωμένο λάδι κοπής και το λάδι από λαρδί.

Διάτρηση σε υλικά τοιχοποιίας

Για διάτρηση σε υλικά τοιχοποιίας ρυθμίστε το κολάρο (3) στη θέση κρουστικής διάτρησης, ευθυγραμμίζοντας το σύμβολο με την ένδειξη.

Μετακινήστε τον επιλογέα ταχύτητας (5) προς το μπροστινό μέρος του εργαλείου (2η ταχύτητα).

Βίδωμα

- Χρησιμοποιείτε πάντα μύτες κατασβιδιού του κατάλληλου τύπου και μεγέθους.
- Εάν συναντήσετε δυσκολία κατά τη σύσφιξη βιδών, δοκιμάστε να τις περάσετε με μια μικρή ποσότητα υγρού πλυσίματος ή σαπουνιού ως λιπαντικό.
- Πάντοτε να κρατάτε το εργαλείο και τη μύτη κατασβιδιού σε ευθεία γραμμή με τη βίδα

Αντιμετώπιση προβλημάτων

Πρόβλημα	Πιθανή αιτία	Πιθανή λύση
Η μονάδα δεν τίθεται σε λειτουργία.	Το πακέτο μπαταρίας δεν είναι φορτισμένο.	Ελέγξτε τις απαιτήσεις φόρτισης του πακέτου μπαταρίας
Το πακέτο μπαταρίας δεν φορτίζεται.	Ο φορτιστής δεν έχει συνδεθεί στο ρεύμα.	Συνδέστε τον φορτιστή σε λειτουργική πρίζα.
	Η θερμοκρασία αέρα περιβάλλοντος είναι πολύ θερμή ή πολύ ψυχρή.	Μετακινήστε τον φορτιστή και το πακέτο μπαταρίας σε θέση με θερμοκρασία αέρα περιβάλλοντος κάτω από +40,5 °C (105 °F) ή πάνω από 4,5 °C (40 °F)
Η μονάδα σβήνει ξαφνικά.	Το πακέτο μπαταρίας έχει φθάσει στο όριο μέγιστης θερμοκρασίας του. Εκτός φόρτισης. (Για να μεγιστοποιηθεί η διάρκεια ζωής του, το πακέτο μπαταρίας έχει σχεδιαστεί να απενεργοποιείται άμεσα όταν εξαντληθεί η φόρτιση του)	Αφήστε το πακέτο μπαταρίας να κρυώσει. Τοποθετήστε το στο φορτιστή και αφήστε το να φορτιστεί.

Συντήρηση

Το εργαλείο BLACK+DECKER που έχετε στην κατοχή σας έχει σχεδιαστεί έτσι ώστε να λειτουργεί για μεγάλο χρονικό διάστημα με την ελάχιστη δυνατή συντήρηση. Η συνεχής ικανοποιητική λειτουργία εξαρτάται από τη σωστή φροντίδα και τον τακτικό καθαρισμό.

Ο φορτιστής σας δεν χρειάζεται καμία άλλη συντήρηση πέραν του τακτικού καθαρισμού.



Προειδοποίηση! Προτού πραγματοποιήσετε κάποια συντήρηση στο εργαλείο, αφαιρέστε την μπαταρία

από το εργαλείο. Αποσυνδέστε τον φορτιστή από την πρίζα πριν τον καθαρίσετε.

- Καθαρίζετε τακτικά τις εγχοπές εξαερισμού του εργαλείου και του φορτιστή με μια μαλακή βούρτσα ή με ένα στεγνό πανί.
- Καθαρίζετε τακτικά το περίβλημα του μοτέρ με ένα ελαφρά υγρό πανί. Μη χρησιμοποιείτε καθαριστικά που χαράζουν ή περιέχουν διαλύτες.
- Ανοίγετε τακτικά το τσοκ και χτυπάτε το ελαφρά για να αφαιρείται η σκόνη από το εσωτερικό του.

Προστασία του περιβάλλοντος



Χωριστή συλλογή. Προϊόντα και μπαταρίες που επισημαίνονται με αυτό το σύμβολο δεν πρέπει να απορρίπτονται μαζί με τα κανονικά οικιακά απορρίμματα.

Τα προϊόντα και οι μπαταρίες περιέχουν υλικά που μπορούν να ανακτηθούν ή να ανακυκλωθούν, ώστε να μειωθούν οι ανάγκες για πρώτες ύλες.

Παρακαλούμε να ανακυκλώνετε τα ηλεκτρικά προϊόντα και τις μπαταρίες σύμφωνα με τους τοπικούς κανονισμούς. Περισσότερες πληροφορίες διατίθενται στον ιστότοπο www.2helpU.com

Τεχνικά χαρακτηριστικά

		BCD700S
Τάση	V _{ac}	18
Ταχύτητα χωρίς φορτίο	min ⁻¹	0-360/0-1400
Μέγ. ροπή	Nm	17,5/40
Μέγεθος τσοκ	mm	1-10
Μέγ. ικανότητα διάτρησης		
Χάλυβας/ξύλο/είδη τοιχοποιίας	mm	10/25/10
Βάρος	kg	0,90 (με μπαταρία 1,30)

Φορτιστής		906214**
Τάση εισόδου	V _{ac}	230
Τάση εξόδου	V _{ac}	18
Ρεύμα	mA	200
Χρόνος φόρτισης περ.	Ώρες	8

Φορτιστής		905902** / N4940**
Τάση εισόδου	V _{ac}	230
Τάση εξόδου	V _{ac}	18
Ρεύμα	mA	400
Χρόνος φόρτισης περ.	Ώρες	4

Φορτιστής		905998**
Τάση εισόδου	V _{ac}	230
Τάση εξόδου	V _{ac}	18
Ρεύμα	A	1
Χρόνος φόρτισης περ.	Ώρες	1,5

Μπαταρία		BL1518
Τάση	V _{ac}	18
Χωρητικότητα	Ah	1,5
Τύπος		Ιόντων Λιθίου

Μπαταρία		BL2018
Τάση	V _{ac}	18
Χωρητικότητα	Ah	2,0
Τύπος		Ιόντων Λιθίου

Μπαταρία		BL4018
Τάση	V _{ac}	18
Χωρητικότητα	Ah	4,0
Τύπος		Ιόντων Λιθίου

Στάθμη ηχητικής πίεσης κατά EN 60745:

Ηχητική πίεση (L_{WA}) 88,7 dB(A), αβεβαιότητα (K) 3 dB(A)

Ηχητική ισχύς (L_{WA}) 99,7 dB(A), αβεβαιότητα (K) 3 dB(A)

Οι συνολικές τιμές δόνησης (διανυσματικό άθροισμα τριών αξόνων) κατά EN 60745:

Κρουστική διάτρηση σε ακυρόδεμα (a_{hvd}) 14,4 m/s², αβεβαιότητα (K) 1,5 m/s²

Διάτρηση σε μέταλλο (a_h) <2,5 m/s², αβεβαιότητα (K) 1,5 m/s²

Βιδωμα χωρίς κρούση (a_v) <2,5 m/s², αβεβαιότητα (K) 1,5 m/s²

Δήλωση συμμόρφωσης ΕΚ

ΟΔΗΓΙΑ ΠΕΡΙ ΜΗΧΑΝΗΜΑΤΩΝ



BCD700S - Κρουστικό δράπανο

Η Black & Decker δηλώνει ότι τα προϊόντα αυτά που περιγράφονται στα "τεχνικά δεδομένα" συμμορφώνονται με τα ακόλουθα:

2006/42/ΕΚ, EN 60745-1:1010, EN 60745-2-1:2010

Αυτά τα προϊόντα συμμορφώνονται και με την Οδηγία 2004/30/ΕΕ και 2011/65/ΕΕ. Για περισσότερες πληροφορίες, επικοινωνήστε με την Black & Decker στην παρακάτω

διεύθυνση ή ανατρέξτε στο πίσω μέρος του εγχειριδίου.

Ο κάτωθι υπογεγραμμένος είναι υπεύθυνος για την κατάρτιση του τεχνικού φακέλου και δηλώνει τα παρόντα εκ μέρους της Black & Decker.



R. Laverick

Υπεύθυνος Σχεδιασμού
Black & Decker Europe, 270 Bath Road, Slough,
Berkshire, SL1 4DX
United Kingdom (Ηνωμένο Βασίλειο)
19/05/2020

Εγγύηση

Η Black & Decker είναι σίγουρη για την ποιότητα των προϊόντων της και προσφέρει στους καταναλωτές εγγύηση 24 μηνών από την ημερομηνία αγοράς. Αυτή η εγγύηση συμπληρώνει και με κανένα τρόπο δεν παραβιάζει τα νόμιμα δικαιώματά σας. Η εγγύηση ισχύει εντός της επικράτειας των χωρών μελών της Ευρωπαϊκής Ένωσης και της Ευρωπαϊκής Ζώνης Ελεύθερων Συναλλαγών.

Για να υποβάλετε αξίωση βάσει της εγγύησης, η αξίωση θα πρέπει να είναι σύμφωνη με τους Όρους και προϋποθέσεις της Black & Decker και θα χρειαστεί να υποβάλετε απόδειξη αγοράς στον πωλητή ή σε εξουσιοδοτημένο αντιπρόσωπο επισκευών.

Μπορείτε να αποκτήσετε τους Όρους και προϋποθέσεις της εγγύησης Black & Decker διάρκειας 2 ετών της Black & Decker και να μάθετε την τοποθεσία του πλησιέστερου εξουσιοδοτημένου αντιπροσώπου επισκευών στο Internet στο www.2helpU.com, ή επικοινωνώντας με τοπικό σας γραφείο Black & Decker στη διεύθυνση που υποδεικνύεται στο παρόν εγχειρίδιο.

Επισκεφθείτε τον ιστότοπό μας www.blackanddecker.gr για να καταχωρίσετε το νέο σας προϊόν Black & Decker και για να λαμβάνετε ενημερώσεις για νέα προϊόντα και ειδικές προσφορές.

België/Belgique/Luxembourg www.blackanddecker.be enduser.be@sbdinc.com	Stanley Black & Decker Belgium BVBA Egide Walschaertsstraat 16 2800 Mechelen	Tel. NL +32 15 47 37 65 Tel. FR +32 15 47 37 66 Fax. +32 15 47 37 99
Danmark	Black & Decker Roskildevej 22 2620 Albertslund	kundeservice.dk@sbdinc.com www.blackanddecker.dk
Deutschland www.blackanddecker.de infobdgc@sbdinc.com	Stanley Black & Decker Deutschland GmbH Black & Decker Str. 40, D - 65510 Idstein	Tel. 06126 21-0 Fax 06126 21-2980
Ελλάδα www.blackanddecker.gr greece.service@sbdinc.com	Stanley Black & Decker (ΕΛΛΑΣ) Ε.Π.Ε ΓΡΑΦΕΙΑ: Στράβωνος 7 & Βουλιαγμένης 166 74 Γλυφάδα - Αθήνα	Τηλ. 210-8981616 Φαξ 210-8983570
SERVICE:	Ημερος Τόπος 2 -Χάνι Αδάμ 193 00 Ασπρόπυργος - Αθήνα	Τηλ. Service 210-8985208 Φαξ 210-5597598
España www.blackanddecker.es respuesta.posventa@sbdinc.co	Stanley Black & Decker Ibérica, S.C.A. Parc de Negocis "Mas Blau" Edificio Muntadas, c/Bergadá, 1, Of. A6 08820 El Prat de Llobregat (Barcelona)	Tel. 934 797 400 Fax 934 797 419
France www.blackanddecker.fr	Black & Decker (France) S.A.S. 5 allée des Hêtres B.P. 30084 69579 Limonest Cédex	Tel. 04 72 20 39 20 Fax 04 72 20 39 00
Helvetia www.blackanddecker.ch service@rofoag.ch	ROFO AG Gewerbezone Seeblick 3213 Kleinbödingen	Tel. 026-6749393 Fax 026-6749394
Italia www.blackanddecker.it service.italia@sbdinc.com	Stanley Black & Decker Italia Via Energypark 6 20871 Vimercate (MB)	Tel. 039-9590200 Fax 039-9590313 Numero verde 800-213935
Nederland www.blackanddecker.nl enduser.nl@sbdinc.com	Stanley Black & Decker Netherlands BV Holtum Noordweg 35, 6121 RE BORN Postbus 83, 6120 AB BORN	Tel. +31 164 283 065 Fax +31 164 283 200
Norge	Black & Decker Postboks 4613, Nydalen 0405 Oslo	kundeservice.no@sbdinc.com www.blackanddecker.no
Österreich www.blackanddecker.at service.austria@sbdinc.com	Stanley Black & Decker Austria GmbH Oberlaaerstraße 248, A-1230 Wien	Tel. 01 66116-0 Fax 01 66116-614
Portugal www.blackanddecker.pt resposta.posvenda@sbdinc.com	Black & Decker Limited SARL Quinta da Fonte - Edifício Q55 D. Diniz Rua dos Malhões, 2 e 2A - Piso 2 Esquerdo 2770 - 071 Paço de Arcos	Tel. 214667500 Fax 214667580
Suomi	Black & Decker PL47 00521, Helsinki	asiakaspalvelu.fi@sbdinc.com www.blackanddecker.fi
Sverige	Black & Decker AB Box 94, 431 22 Mölndal	kundservice.se@sbdinc.com www.blackanddecker.se
Türkiye www.blackanddecker.com.tr	KALE Hirdavat ve Makina A.Ş. Defterdar Mah. Savaklar Cad. No:15 Edimekapı / Eyüp / İstanbul 34050	Tel. 0212 533 52 55 Fax. 0212 533 10 05
United Kingdom & Republic Of Ireland www.blackanddecker.co.uk emeaservice@sbdinc.com	Black & Decker 210 Bath Road Slough, Berkshire SL1 3YD	Tel. 01753 511234 Fax 01753 512365
Middle East & Africa www.blackanddecker.ae service.me@sbdinc.com	Black & Decker P.O.Box - 17164 Jebel Ali Free Zone (South), Dubai, UAE	Tel. +971 4 8863030 Fax +971 4 8863333