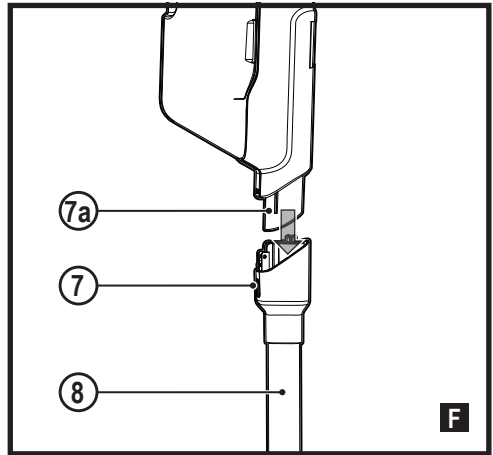
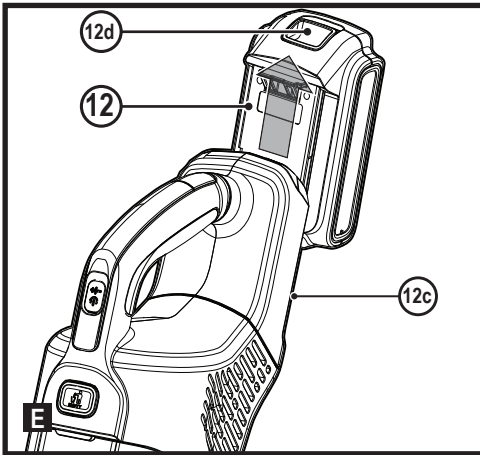
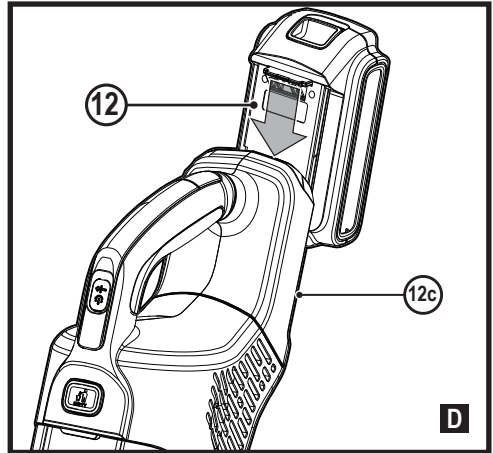
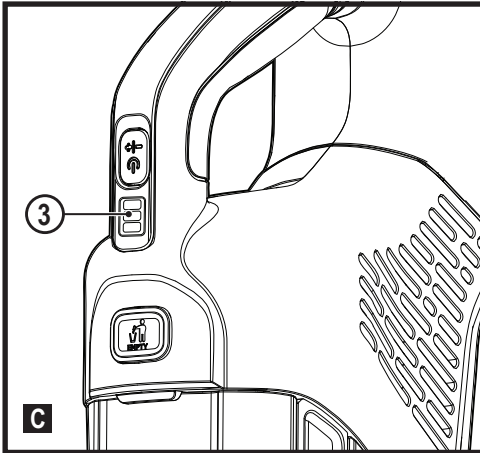
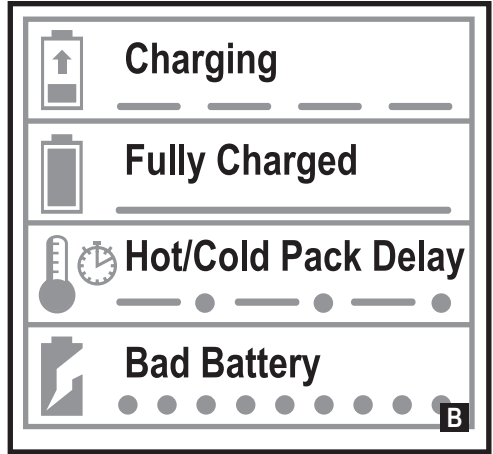
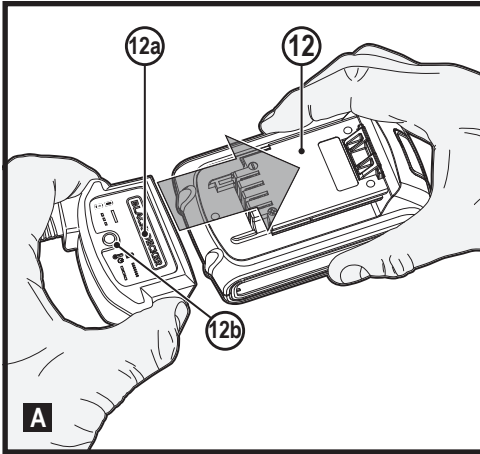
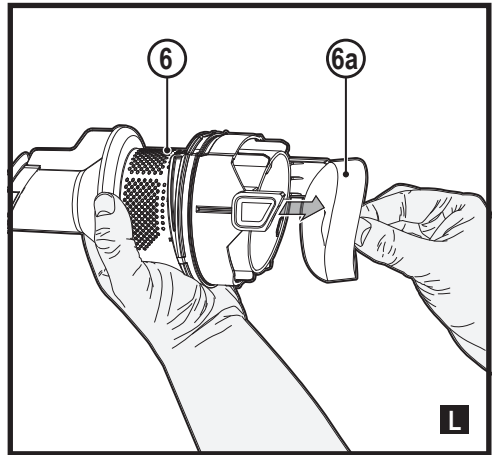
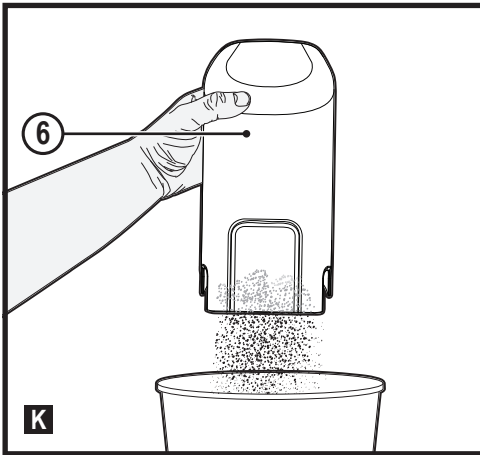
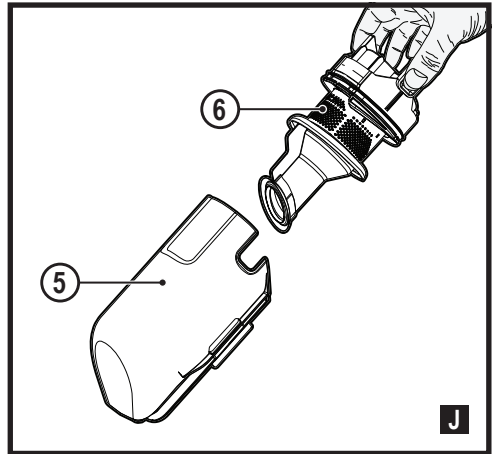
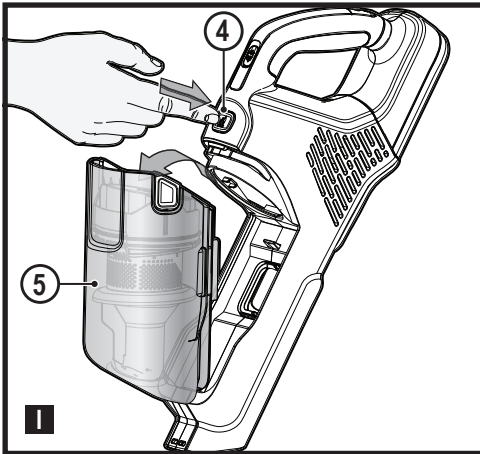
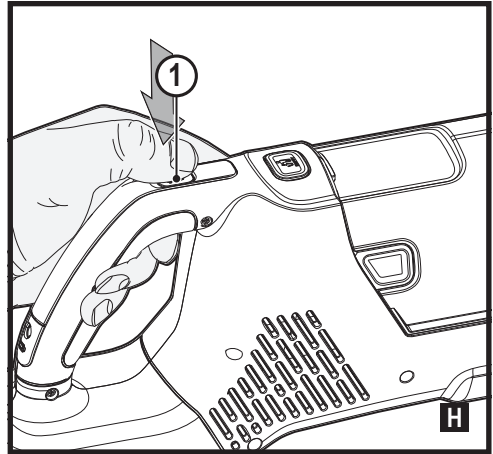
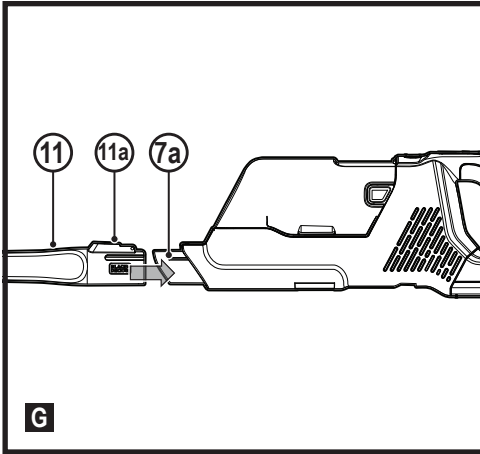


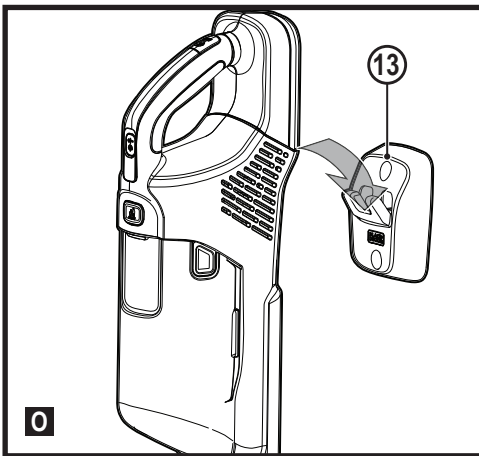
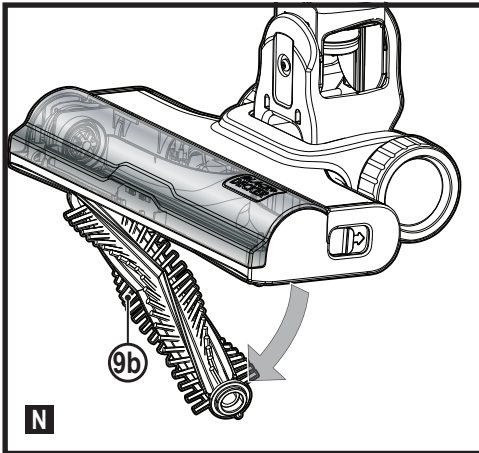
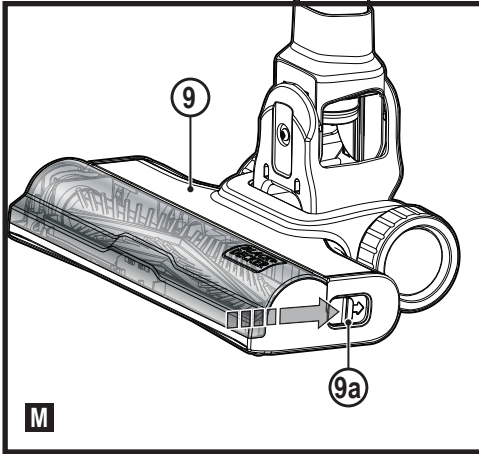
www.blackanddecker.eu

BHFEA18
BHFEA18D1

English (original instructions)	5
Deutsch (<i>übersetzt von den originalanweisungen</i>)	11
Français (<i>traduction de la notice d'instructions originale</i>)	17
Italiano (<i>tradotto dalle istruzioni originali</i>)	24
Nederlands (<i>vertaald vanuit de originele instructies</i>)	30
Español (<i>traducido de las instrucciones originales</i>)	37
Português (<i>traduzido das instruções originais</i>)	43
Svenska (<i>översatt från de ursprungliga instruktionerna</i>)	49
Norsk (<i>oversatt fra de originale instruksjonene</i>)	55
Dansk (<i>oversat fra original brugsvejledning</i>)	60
Suomi (<i>käännetty alkuperäisestä käyttöohjeesta</i>)	66
Ελληνικά (<i>μετάφραση από τις πρωτότυπες οδηγίες</i>)	71







Intended use

Your BLACK+DECKER BHFEA18, BHFEA18D1 cordless vacuum cleaner has been designed for vacuum cleaning purposes. This appliance is intended for household use only.



Read all of this manual carefully before operating the appliance.

Safety instructions



Warning! Read all safety warnings and all instructions.

Failure to follow the warnings and instructions listed below may result in electric shock, fire and/or serious injury.

- ◆ The intended use is described in this manual. The use of any accessory or attachment or the performance of any operation with this appliance other than those recommended in this instruction manual may present a risk of personal injury.
- ◆ Retain this manual for future reference.

Using your appliance

- ◆ Do not use the appliance to pick up liquids or any materials that could catch fire.
- ◆ Do not use without dust bag and/or filters in place
- ◆ Do not use the appliance near water.
- ◆ Do not immerse the appliance in water.
- ◆ Never pull the charger lead to disconnect the charger from the socket.

Keep the charger lead away from heat, oil and sharp edges.

- ◆ This appliance can be used by children aged from 8 years and above and persons with reduced physical, sensory or mental capabilities or lack of experience and knowledge if they have been given supervision or instruction concerning use of the appliance in a safe way and understand the hazards involved. Children shall not play with the appliance. Cleaning and user maintenance shall not be made by children without supervision.

Inspection and repairs

Before use, check the appliance for damaged or defective parts. Check for breakage of parts, damage to switches and any other conditions that may affect its operation.

- ◆ Do not use the appliance if any part is damaged or defective.
- ◆ Have any damaged or defective parts repaired or replaced by an authorized repair agent.
- ◆ Regularly check the charger lead for damage. Replace the charger if the lead is damaged or defective.
- ◆ Never attempt to remove or replace any parts other than those specified in this manual.

Additional safety instructions

After use

- ◆ Unplug the charger before cleaning the charger or charging base.

- ◆ When not in use, the appliance should be stored in a dry place.
- ◆ Children should not have access to stored appliances.

Residual risks

Additional residual risks may arise when using the tool which may not be included in the enclosed safety warnings. These risks can arise from misuse, prolonged use etc.

Even with the application of the relevant safety regulations and the implementation of safety devices, certain residual risks can not be avoided. These include:

- ◆ Injuries caused by touching any rotating/moving parts.
- ◆ Injuries caused when changing any parts, blades or accessories.
- ◆ Injuries caused by prolonged use of a tool. When using any tool for prolonged periods ensure you take regular breaks.
- ◆ Impairment of hearing.
- ◆ Health hazards caused by breathing dust developed when using your tool (example:- working with wood, especially oak, beech and MDF.)

Batteries and chargers

Batteries (can be sold separately)

- ◆ Rechargeable batteries are to be removed from the appliance before being charged.
- ◆ Batteries are to be inserted with the correct polarity.

- ◆ Exhausted batteries are to be removed from the appliance and safely disposed of.
- ◆ If the appliance is to be stored unused for a long period, the batteries should be removed.
- ◆ The supply terminals are not to be short circuited.
- ◆ Never attempt to open for any reason.
- ◆ Do not expose the battery to water.
- ◆ Do not expose the battery to heat.
- ◆ Do not store in locations where the temperature may exceed 40°C.
- ◆ Charge only at ambient temperatures between 10°C and 40°C.
- ◆ Charge only using the charger provided with the appliance/tool. Using the wrong charger could result in an electric shock or overheating of the battery.
- ◆ When disposing of batteries, follow the instructions given in the section “Protecting the environment”.
- ◆ Do not damage/deform the battery pack either by puncture or impact, as this may create a risk of injury and fire.
- ◆ Do not charge damaged batteries.
- ◆ Under extreme conditions, battery leakage may occur. When you notice liquid on the batteries carefully wipe the liquid off using a cloth. Avoid skin contact.
- ◆ In case of skin or eye contact, follow the instructions below.

Warning! The battery fluid may cause personal injury or damage to property. In case of skin contact, immediately rinse with water.

If redness, pain or irritation occurs seek medical attention. In case of eye contact, rinse immediately with clean water and seek medical attention.

Chargers (can be sold seperately)

Your charger has been designed for a specific voltage. Always check that the mains voltage corresponds to the voltage on the rating plate and the information in the technical data table.

Warning! Never attempt to replace the charger unit with a regular mains plug.

- ◆ Use your BLACK+DECKER charger only to charge the battery in the appliance/tool with which it was supplied. Other batteries could burst, causing personal injury and damage.
- ◆ Never attempt to charge non-rechargeable batteries.
- ◆ If the supply cord is damaged, it must be replaced by the manufacturer or an authorised BLACK+DECKER Service Centre in order to avoid a hazard.
- ◆ Do not expose the charger to water.
- ◆ Do not open the charger.
- ◆ Do not probe the charger.
- ◆ The appliance/tool/battery must be placed in a well ventilated area when charging.

Electrical safety

Symbols on the charger



Read all of this manual carefully before using the appliance.



This tool is double insulated; therefore no earth wire is required. Always check that the power supply corresponds to the voltage on the rating plate.



The charging base is intended for indoor use only.

Labels on appliance

The following symbols appear on this appliance along with the date code



Read all of this manual carefully before using the appliance

Features

This tool includes some or all of the following features.

1. On/off power button
2. Charging port
3. State of charge indicator
4. Dust bowl release button
5. Clear dust bowl
6. Cyclonic filter assembly
7. Extension pole release button
8. Extension pole
9. Floorhead (with in-built floor sense)
10. Beater bar release button
11. Crevice tool
12. Battery
- 12a. Charger
13. Storage station

Use

Charging the battery (Fig. A, B)

The standard charger provided will charge a fully depleted battery in about 5 hours

- ◆ Plug the charger (12a) into an appropriate outlet before inserting the battery pack (12).
- ◆ Insert the battery pack (12) into the charger (12a) as shown in figure A.
- ◆ The green LED (12b) will flash indicating that the battery is being charged.
- ◆ The completion of charge is indicated by the green LED (12b) remaining on continuously. The pack is fully charged and may be used at this time or left on the charger.

Note: Recharge discharged batteries as soon as possible after use or battery life may be greatly diminished.

Note: The charger and battery pack can be left connected with the green LED glowing indefinitely. The charger will keep the battery pack fresh and fully charged.

Important charging notes

- ◆ Longest life and best performance can be obtained if the battery pack is charged when the air temperature is between 18° - 24°C. DO NOT charge the battery pack in an air temperature below +4.5°C, or above +40.5°C.

This is important and will prevent serious damage to the battery pack.

- ◆ The charger and battery pack may become warm to touch while charging. This is a normal condition, and does not indicate a problem. To facilitate the cooling of the battery pack after use, avoid placing the charger or battery pack in a warm environment such as in a metal shed, or an uninsulated trailer.
- ◆ If the battery pack does not charge properly:
 - ◆ Check current at receptacle by plugging in a lamp or other appliance.
 - ◆ Check to see if receptacle is connected to a light switch which turns power off when you turn out the lights.
 - ◆ Move charger and battery pack to a location where the surrounding air temperature is approximately 18° - 24°C.
 - ◆ If charging problems persist, take the tool, battery pack, and charger to your local service centre.
- ◆ The battery pack should be recharged when it fails to produce sufficient power on jobs which were easily done previously. DO NOT CONTINUE to use under these conditions. Follow the charging procedure. You may also charge a partially used pack whenever you desire with no adverse affect on the battery pack.
- ◆ Foreign materials of a conductive nature such as, but not limited to, steel wool, aluminium foil, or any buildup of metallic particles should be kept away from charger cavities.

Always unplug the charger from the power supply when there is no battery pack in the cavity. Unplug charger before attempting to clean.

- ◆ Do not freeze or immerse charger in water or any other liquid.

Warning! Do not allow any liquid to get inside charger. Never attempt to open the battery pack for any reason. If the plastic housing of the battery pack breaks or cracks, return to a service centre for recycling.

State of charge indicator (Fig. C)

This appliance include a state of charge indicator (3) which consists of three LED lights that indicate the level of charge remaining in the battery. This feature is only activated when the vacuum is powered on and when the vacuum is on charge.

The state of charge indicator is an indication of approximate levels of charge remaining in the battery pack.

The LED battery indicator displays the remaining charge and warns you when the battery is low.

The final LED will flash continuously when there is only very little runtime remaining.

Note: The state of charge indicator is only an indication of the charge left on the battery.

It does not indicate tool functionality and is subject to variation based on product components, temperature and end-user application.

Installing and removing the battery (Fig. D, E)

Warning! Make certain the vac is switched off before removing or installing battery.

To install battery pack

- ◆ Insert battery pack (12) into the vac (12c) until an audible click is heard (Figure D). Make sure battery pack is fully seated and fully latched into position.

To remove battery pack

- ◆ Depress the battery release button (12d) as shown in Figure E and pull battery pack out of the vac.

Assembly (Fig. F)

- ◆ Align the top of the extension tube (8) with the vacuum inlet (7a) as shown in Fig. F.
- ◆ Push the extension tube (8) onto the vacuum inlet (7a) so it locks into position.
- ◆ To remove an the extension tube, press the extension tube release button (7) and gently pull the extension tube off.

Warning! When not in use position the unit with the rear of the vacuum facing a wall so that any inadvertent fall of the unit would contact a wall and not people or pets.

Useage

This vacuum cleaner can be used in one of two ways.

- ◆ With the extension tube (8) and the floor head (9).
- ◆ With the crevice tool (11) and the vacuum.

Mounting accessories (Fig. G)

- ◆ The crevice tool (11) allows for vacuuming in narrow and hard-to-reach places.
- ◆ To attach the crevice tool (11) press into vacuum inlet (7a) so it locks into position as shown in figure G.
- ◆ To release the crevice tool (11) press the crevice tool release button (11a) and gently pull the extension tube off.

Switching ON and OFF (Fig. H)

- ◆ To switch ON, push the on/off power button (1).
- ◆ For increased power, push the On/Off button (1) again.
- ◆ Push the On/Off button (1) a third time to turn the unit off.

Note: The state of charge indicator LEDs (3) will illuminate while the vacuum is ON.

- ◆ To switch OFF, slide the on/off power switch (1) to the "O" position.
- ◆ Charge the battery (12) immediately after use so that it will be ready and fully charged for the next use.

Floorsense

Floorsense is active in the low speed. When a carpet is detected, the performance of the unit is automatically increased to high speed. When a hardfloor is detected, the performance of the unit reduces to low speed.

Cleaning and emptying the vacuum

Warning! Projectile/Respiratory Hazard: Never use the vac without its filter.

Warning! The filter is re-usable, do not confuse it with a disposable dust bag, and do not throw it away when the product is emptied. We recommend that you replace the filter every 6–9 months depending on frequency of use.

To empty the dust canister (Fig. I, J, K, L)

- ◆ Push down the dust canister release button (4) to release and remove the dust canister (5) from the vacuum.
- ◆ Use your index finger and thumb to pinch the filter housing tabs and pull the filter housing (6) from the dust canister as shown in figure I.
- ◆ Place the dust canister over a trash can and empty the dust canister as illustrated in figure J.
- ◆ Remove the foam filter (6a) from the filter housing as shown in figure K.
- ◆ Shake or lightly brush any loose dust off of the foam filter (6a) and filter (6).
- ◆ Rinse out the dust canister (5) with warm soapy water.
- ◆ Wash the filters with warm soapy water.
- ◆ Ensure the filters are completely dry before refitting the filters into the filter housing.
- ◆ Refit the clean and dry foam filter (6a) into the filter housing (6).
- ◆ Install the filter housing into the dust canister (5).
- ◆ Install the dust canister onto the vacuum, until it "clicks" firmly into position.

Removing and cleaning the beater bar (Fig. M, N)

Warning! To reduce the risk of injury from moving parts, disconnect the floor head and extension tube from the vacuum before cleaning or servicing.

- ◆ To remove the beater bar (9b) from the floor head (9) Slide the beater bar release button (9a) to the rear of the unit.
- ◆ The beater bar (9b) can now be removed and cleaned.

Safe storage (Fig. O)

The unit can be safely stored, when not in use, by placing the catch on the rear of the motor unit onto the storage station (13) as shown in figure O.

Troubleshooting

Problem	Possible Cause	Possible Solution
Unit will not start.	Battery not installed properly. Battery not charged.	Check battery installation. Check battery charging requirements
Battery will not charge.	Battery not inserted into charger. Charger not plugged in. Surrounding air temperature too hot or too cold.	Insert battery into charger until LED appears. Plug charger into a working outlet. Refer to "Important Charging Notes" for more details. Check current at receptacle by plugging in a lamp or other appliance. Check to see if receptacle is connected to a light switch which turns power off when you turn out the lights Move charger and tool to a surrounding air temperature of above 4,5°C or below +40,5°C.

Maintenance

Your BLACK+DECKER cordless appliance has been designed to operate over a long period of time with a minimum of maintenance. Continuous satisfactory operation depends upon proper tool care and regular cleaning.

Warning! Before performing any maintenance on cordless appliances:

- ◆ Run the battery down completely if it is integral and then switch off.
- ◆ Unplug the charger before cleaning it. Your charger does not require any maintenance apart from regular cleaning.
- ◆ Regularly clean the ventilation slots in your appliance/charger using a soft brush or dry cloth.
- ◆ Regularly clean the motor housing using a damp cloth. Do not use any abrasive or solvent-based cleaner.

Replacing the filters

The filters should be replaced every 6 to 9 months and whenever worn or damaged. Replacement filters are available from your BLACK+DECKER dealer.

- ◆ Remove the old filters as described above.
- ◆ Fit the new filters as described above.

Protecting the environment



Separate collection. Products and batteries marked with this symbol must not be disposed of with normal household waste.

Products and batteries contain materials that can be recovered or recycled reducing the demand for raw materials. Please recycle electrical products and batteries according to local provisions. Further information is available at www.2helpU.com

Technical Data

	BHFEA18	BHFEA18D
Voltage	18v	18v
Watt Hours	36wh (18v 2.0ah battery pack)	36wh (18v 2.0ah battery pack)
Approx Charge Times	5 hours	5 hours
Weight	2.4kg bare unit - 2.8kg with battery	2.4kg bare unit - 2.8kg with battery

Charger		S010**2400040/ SSC-250040**	S018***1800100/ SSC-200100**
Input Voltage	V _{AC}	100 - 240	220 - 240
Output Voltage	V _{DC}	8 - 20	8 - 20
Current	mA	400	1000
Approx. charge time	Hours	3 - 5	1 - 5

Battery		BL1518	BL2018	BL4018
Voltage	V _{AC}	18	18	18
Capacity	Ah	1.5	2.0	4.0
Type		Li-Ion	Li-Ion	Li-Ion

Guarantee

Black & Decker is confident of the quality of its products and offers consumers a 24 month guarantee from the date of purchase. This guarantee is in addition to and in no way prejudices your statutory rights. The guarantee is valid within the territories of the Member States of the European Union and the European Free Trade Area.

To claim on the guarantee, the claim must be in accordance with Black&Decker Terms and Conditions and you will need to submit proof of purchase to the seller or an authorised repair agent. Terms and conditions of the Black&Decker 2 year guarantee and the location of your nearest authorised repair agent can be obtained on the Internet at www.2helpU.com, or by contacting your local Black & Decker office at the address indicated in this manual.

Please visit our website www.blackanddecker.co.uk to register your new Black & Decker product and receive updates on new products and special offers.

Verwendungszweck

Ihre BLACK+DECKER-Akkustaubsauger BHFEA18, BHFEA18D1 wurden zum Aufsaugen von Schmutz entwickelt. Dieses Gerät ist nicht für den gewerblichen Einsatz vorgesehen.



Lesen Sie diese Anleitung vollständig und aufmerksam durch, bevor Sie das Gerät verwenden.

Sicherheitshinweise



Warnung! Lesen Sie alle Sicherheitswarnhinweise und alle Anweisungen. Die Nichteinhaltung der folgenden Warnungen und Anweisungen kann einen elektrischen Schlag, Brand und/oder schwere Verletzungen verursachen.

- ◆ Der vorgesehene Verwendungszweck ist in dieser Anleitung beschrieben. Bei Verwendung von Zubehör oder Anbauteilen, die nicht in dieser Anleitung empfohlen werden, sowie bei der Verwendung des Geräts in Abweichung von den in dieser Anleitung beschriebenen Verfahren besteht Verletzungsgefahr.
- ◆ Bewahren Sie diese Anleitung auf.

Verwendung des Geräts

- ◆ Benutzen Sie das Gerät nicht zum Aufsaugen entzündlicher Flüssigkeiten oder Materialien.
- ◆ Benutzen Sie das Gerät nicht ohne angebrachten Staubbeutel bzw. ohne Filter.
- ◆ Betreiben Sie das Gerät nicht in der Nähe von Wasser.

- ◆ Tauchen Sie das Gerät nicht in Wasser.
- ◆ Ziehen Sie das Ladegerät nicht am Kabel aus der Netzsteckdose. Achten Sie darauf, dass das Kabel des Ladegeräts nicht in Kontakt mit starker Hitze, Öl oder scharfen Gegenständen kommt.
- ◆ Dieses Gerät darf von Kindern ab 8 Jahren und Personen mit eingeschränkten körperlichen, sensorischen oder geistigen Fähigkeiten sowie mangelnder Erfahrung und Wissen in Bezug auf dessen Gebrauch bedient werden, wenn sie bei der Verwendung des Geräts beaufsichtigt oder angeleitet werden und die möglichen Gefahren verstehen. Kinder dürfen nicht mit dem Gerät spielen. Reinigung und Wartungsarbeiten dürfen von Kindern nur unter Aufsicht durchgeführt werden.

Inspektion und Reparaturen

Prüfen Sie das Gerät vor der Verwendung auf beschädigte oder defekte Teile. Prüfen Sie, ob Teile gebrochen sind, Schalter beschädigt sind oder andere Bedingungen vorliegen, welche die Funktion beeinträchtigen könnten.

- ◆ Betreiben Sie das Gerät nicht, wenn ein Teil beschädigt oder defekt ist.
- ◆ Lassen Sie beschädigte oder defekte Teile in einer Vertragswerkstatt reparieren oder austauschen.

- ◆ Überprüfen Sie das Ladegerätkabel in regelmäßigen Abständen auf Beschädigungen. Tauschen Sie das Ladegerät aus, wenn das Kabel beschädigt oder defekt ist.
- ◆ Ersetzen oder entfernen Sie keine Teile, für die in dieser Anleitung keine entsprechende Beschreibung enthalten ist.

Zusätzliche Sicherheitshinweise

Nach dem Gebrauch

- ◆ Ziehen Sie das Ladegerät aus der Netzsteckdose, bevor Sie das Ladegerät oder die Ladestation reinigen.
- ◆ Bewahren Sie das Gerät bei Nichtgebrauch an einem trockenen Ort auf.
- ◆ Kinder sollten keinen Zugang zu aufbewahrten Geräten haben.

Restrisiken

Beim Gebrauch dieses Geräts verbleiben zusätzliche Restrisiken, die möglicherweise nicht in den Sicherheitswarnungen genannt werden. Diese Risiken bestehen beispielsweise bei Missbrauch oder längerem Gebrauch. Auch bei der Einhaltung der entsprechenden Sicherheitsvorschriften und der Verwendung aller Sicherheitsgeräte bestehen weiterhin bestimmte Restrisiken. Diese sind:

- ◆ Verletzungen, die durch das Berühren von sich drehenden/bewegenden Teilen verursacht werden.

- ◆ Verletzungen, die durch das Austauschen von Teilen, Messern oder Zubehör verursacht werden.
- ◆ Verletzungen, die durch längeren Gebrauch eines Geräts verursacht werden. Legen Sie bei längerem Gebrauch regelmäßige Pausen ein.
- ◆ Beeinträchtigung des Gehörs.
- ◆ Gesundheitsrisiken durch das Einatmen von Staub beim Verwenden des Geräts (beispielsweise bei Holzarbeiten, insbesondere Eiche, Buche und MDF.)

Akkus und Ladegeräte

Akkus (separat erhältlich)

- ◆ Aufladbare Akkus müssen vor dem Aufladen aus dem Gerät genommen werden.
- ◆ Akkus müssen mit der richtigen Polarität eingesetzt werden.
- ◆ Verbrauchte Akkus müssen aus dem Gerät entfernt und auf sichere Weise entsorgt werden.
- ◆ Wenn das Gerät längere Zeit nicht benutzt wird, sollten die Akkus entfernt werden.
- ◆ Die Anschlüsse dürfen nicht kurzgeschlossen werden.
- ◆ Keinesfalls versuchen, den Akku zu öffnen.
- ◆ Achten Sie darauf, dass der Akku nicht mit Wasser in Berührung kommt.
- ◆ Setzen Sie den Akku keinen hohen Temperaturen aus.
- ◆ Nicht bei Temperaturen über 40 °C lagern.

- ◆ Laden Sie den Akku nur bei Umgebungstemperaturen von 10 °C bis 40 °C auf.
- ◆ Verwenden Sie ausschließlich das mit dem Gerät gelieferte Ladegerät. Das Verwenden eines falschen Ladegeräts kann zu einem Stromschlag oder dem Überhitzen des Akkus führen.
- ◆ Beachten Sie zur Entsorgung von Akkus oder Batterien die Hinweise im Abschnitt „Umweltschutz“.
- ◆ Der Akku darf nicht durch mechanische Krafteinwirkung oder Belastungen beschädigt oder verformt werden. Andernfalls besteht Verletzungs- und Brandgefahr.
- ◆ Laden Sie beschädigte Akkus nicht auf.
- ◆ Unter extremen Bedingungen können Akkus undicht werden. Wenn Sie feststellen, dass aus dem Akku Flüssigkeit austritt, wischen Sie diese vorsichtig mit einem Tuch ab. Vermeiden Sie Hautkontakt.
- ◆ Beachten Sie nach Haut- oder Augenkontakt die folgenden Hinweise.

Warnung! Batteriesäure kann Sach- oder Personenschäden verursachen. Spülen Sie die Säure bei Hautkontakt sofort mit Wasser ab. Suchen Sie einen Arzt auf, wenn sich auf der Haut Rötungen, Reizungen oder andere Irritationen zeigen.

Spülen Sie das Auge nach Augenkontakt sofort mit sauberem Wasser aus, und suchen Sie einen Arzt auf.

Ladegeräte (separat erhältlich)

Das Ladegerät ist für eine bestimmte Spannung ausgelegt. Stellen Sie sicher, dass die Netzspannung der auf dem Typenschild des Geräts und in der Tabelle mit den technischen Daten angegebenen Spannung entspricht.

Warnung! Ersetzen Sie das Ladegerät keinesfalls durch ein normales Netzkabel.

- ◆ Verwenden Sie das BLACK+DECKER-Ladegerät nur für den Akku des Werkzeugs, mit dem es geliefert wurde. Andere Akkus können platzen und Sachschäden oder Verletzungen verursachen.
- ◆ Versuchen Sie keinesfalls, nicht aufladbare Akkus zu laden.
- ◆ Bei einer Beschädigung des Netzkabels muss dieses durch den Hersteller oder eine BLACK+DECKER Vertragswerkstatt ausgetauscht werden, um mögliche Gefahren zu vermeiden.
- ◆ Achten Sie darauf, dass das Ladegerät nicht mit Wasser in Berührung kommt.
- ◆ Versuchen Sie nicht, das Ladegerät zu öffnen.
- ◆ Nehmen Sie am Ladegerät keine Veränderungen vor.
- ◆ Beim Laden des Geräts/Werkzeugs/ Akkus muss auf ausreichende Belüftung geachtet werden.

Elektrische Sicherheit

Symbole auf dem Ladegerät



Lesen Sie diese Anleitung vollständig und aufmerksam durch, bevor Sie das Gerät verwenden.



Dieses Gerät ist schutzisoliert, daher ist keine Erdleitung erforderlich. Überprüfen Sie immer, dass die Stromversorgung der Spannung auf dem Typenschild entspricht.



Die Ladestation darf nicht im Freien verwendet werden.

Warnsymbole am Gerät

Am Gerät befinden sich folgende Warnsymbole inkl.

Datumscode:



Lesen Sie diese Anleitung vollständig und aufmerksam durch, bevor Sie das Gerät verwenden

Merkmale

Dieses Gerät verfügt über einige oder alle der folgenden Merkmale:

1. Ein-/Aus-Schalter
2. Ladeanschluss
3. Ladestandanzeige
4. Entriegelungstaste für Staubauffangbehälter
5. Durchsichtiger Staubauffangbehälter
6. Zyklonfilterbaugruppe
7. Löseknopf für das Verlängerungsrohr
8. Verlängerungsstück
9. Parkettdüse (mit integriertem FloorSense)
10. Schlagleistenlöseknopf
11. Fugendüse
12. Akku
- 12a. Ladegerät
13. Aufbewahrungsstation

Verwendung

Laden des Akkus (Abb. A, B)

Das Standardladegerät kann einen vollständig entladenden Akku in ca. 5 Stunden aufladen.

- ◆ Stecken Sie das Ladegerät (12a) in eine geeignete Steckdose, bevor Sie den Akku (12) einsetzen.
- ◆ Setzen Sie den Akku (12) wie in Abbildung A gezeigt in das Ladegerät (12a) ein.
- ◆ Die grüne LED (12b) blinkt, wenn der Akku geladen wird.
- ◆ Der Abschluss des Ladevorgangs wird dadurch angezeigt, dass die grüne LED (12b) dauerhaft leuchtet. Der Akku ist vollständig aufgeladen und kann jetzt verwendet oder in der Ladestation gelassen werden.

Hinweis: Laden Sie entladene Akkus so bald wie möglich nach dem Gebrauch wieder auf, da sonst die Akkulebensdauer stark verringert werden kann.

Hinweis: Sie können den Akku auch im Ladegerät belassen. In diesem Fall leuchtet die grüne LED-Anzeige dauerhaft. Das Ladegerät hält den Akku in einem vollständig geladenen Zustand.

Wichtige Hinweise zum Aufladen

- ◆ Die längste Lebensdauer und beste Leistung werden erreicht, wenn das Akkupack bei Lufttemperaturen zwischen 18° bis 24 °C geladen wird. Laden Sie das Akkupack NICHT, wenn die Lufttemperatur unter +4,5 °C oder über +40,5 °C liegt.
Dies ist wichtig und verhindert schwere Schäden am Akku.
- ◆ Das Ladegerät und der Akku können sich während des Ladevorgangs warm anfühlen. Dies ist ein normaler Zustand und weist nicht auf ein Problem hin. Um das Abkühlen des Akkus nach dem Gebrauch zu erleichtern, platzieren Sie das Ladegerät und den Akku nicht in einer warmen Umgebung, wie beispielsweise in einem Metallschuppen oder einem nicht isolierten Wohnwagen.
- ◆ Wenn der Akku nicht richtig aufgeladen wird:
 - ◆ Prüfen Sie, ob die Steckdose unter Spannung steht, indem Sie eine Lampe oder ein anderes Gerät an die Steckdose anschließen.
 - ◆ Überprüfen Sie, ob die Steckdose mit einem Lichtschalter verbunden ist, der auch das Gerät ausschaltet, wenn das Licht ausgeschaltet wird.
 - ◆ Bringen Sie Ladegerät und Akku an einen Ort, wo die Umgebungstemperatur ca. 18 bis 24 °C beträgt.
 - ◆ Wenn die Ladeprobleme bestehen bleiben, bringen Sie Werkzeug, Akku und Ladegerät zu Ihrer lokalen Vertragswerkstatt.
- ◆ Der Akku sollte aufgeladen werden, wenn das Gerät nicht mehr die volle Leistung bringt. Betreiben Sie das Werkzeug in diesem Fall NICHT WEITER. Befolgen Sie die Anweisungen bezüglich des Aufladens. Sie können auch jederzeit einen teilweise entleerten Akku aufladen, ohne dass dies nachteilige Auswirkungen auf den Akku hat.
- ◆ Leitfähige Fremdmaterialien, z.B. unter anderem Stahlwolle, Alufolie oder angesammelte Metallpartikel, sollten von Hohlräumen des Ladegeräts ferngehalten werden.
Ziehen Sie den Netzstecker des Ladegerätes immer aus der Steckdose, wenn kein Akku in der Vertiefung steckt. Ziehen Sie den Netzstecker des Ladegerätes vor dem Reinigen aus der Steckdose.
- ◆ Gerät keinem Spritzwasser aussetzen oder in Wasser oder andere Flüssigkeiten tauchen.

Warnung! Keine Flüssigkeiten in das Ladegerät gelangen lassen.

Keinesfalls versuchen, den Akku zu öffnen. Wenn das Kunststoffgehäuse des Akkus Brüche oder Risse aufweist, bringen Sie es zum Recycling zu einer Vertragswerkstatt.

Ladezustandsanzeige (Abb. C)

Dieses Gerät verfügt über eine Ladezustandsanzeige (3) mit drei grünen LEDs, die den restlichen Ladezustand des Akkus anzeigen.

Diese Funktion ist nur bei eingeschaltetem Staubsauger und beim Aufladen aktiv.

Die Ladezustandsanzeige zeigt an, wie weit der Akkupack noch ungefähr aufgeladen ist.

Die LED-Akkuanzeige zeigt die Restladung an und warnt Sie, wenn der Akku fast leer ist.

Die letzte LED blinkt kontinuierlich, wenn nur noch sehr wenig Laufzeit verbleibt.

Hinweis: Die Ladestandsanzeige ist nur eine Schätzung des verbleibenden Akku-Ladestands.

Sie zeigt nicht die Funktionsfähigkeit des Werkzeugs an und unterliegt Unterschieden, die auf Bauteilen, Temperatur und Anwendungsart des Endbenutzers basieren.

Einlegen und Entfernen des Akkus (Abb. D, E)

Warnung! Stellen Sie sicher, dass der Staubsauger ausgeschaltet ist, bevor

Sie den Akku entnehmen oder einlegen.

Einlegen des Akkus

- ◆ Setzen Sie den Akku (12) in den Staubsauger (12c) ein, bis ein Klicken zu hören ist (Abbildung D). Stellen Sie sicher, dass der Akku vollständig sitzt und in Position eingerastet ist.

Entnehmen des Akkus

- ◆ Drücken Sie den Akku-Löseknopf (12d) wie in Abbildung E gezeigt, und ziehen Sie den Akku aus dem Staubsauger.

Montage (Abb. F)

- ◆ Richten Sie das obere Ende des Verlängerungsrohrs (8) wie in Abb. F gezeigt am Saugeinlass (7a) aus.
- ◆ Schieben Sie das Verlängerungsrohr (8) so auf den Saugeinlass (7a), dass es einrastet.
- ◆ Zum Abnehmen des Verlängerungsrohrs drücken Sie auf den Löseknopf für das Verlängerungsrohr (7) und ziehen das Rohr vorsichtig ab.

Warnung! Bewahren Sie den Staubsauger bei Nichtgebrauch so auf, dass die Rückseite zu einer Wand zeigt, so dass er nicht versehentlich umfallen und andere Gegenstände, Personen oder Haustiere treffen kann.

Verwendung

Dieser Staubsauger bietet zwei Betriebsarten.

- ◆ Mit dem Verlängerungsrohr (8) und der Parkettdüse (9).
- ◆ Mit der Fugendüse (11).

Anbringen von Zubehör (Abb. G)

- ◆ Mithilfe der Fugendüse (11) kann Schmutz aus Fugen, Ecken und anderen schwer erreichbaren Stellen gesaugt werden.
- ◆ Zum Anbringen der Fugendüse (11) drücken Sie diese so in den Saugeinlass (7a), dass er wie in Abbildung G gezeigt einrastet.

- ◆ Zum Abnehmen der Fugendüse (11) drücken Sie auf den Löseknopf der Fugendüse (11a) und ziehen die Fugendüse vorsichtig ab.

Ein- und Ausschalten (Abb. H)

- ◆ Drücken Sie zum Einschalten den Ein-/Aus-Schalter (1).
- ◆ Drücken Sie den Ein-/Aus-Schalter (1) erneut, um die Saugleistung zu erhöhen.
- ◆ Drücken Sie den Ein-/Aus-Schalter (1) ein drittes Mal, um das Gerät auszuschalten.

Hinweis: Die LEDs der Ladestandsanzeige (3) leuchten, wenn der Staubsauger eingeschaltet ist.

- ◆ Zum Ausschalten des Geräts schieben Sie den Ein-/Aus-Schalter (1) in die Position „0“.
- ◆ Laden Sie den Akku (12) sofort nach Gebrauch wieder auf, damit er für die nächste Verwendung bereit und vollständig aufgeladen ist.

FloorSense

Die FloorSense-Funktion erkennt den jeweiligen Boden und ist bei der niedrigen Geschwindigkeit aktiv. Bei Erkennung eines Teppichs wird die Geräteleistung automatisch auf die hohe Geschwindigkeit gesteigert. Bei Erkennung eines Hartbodens wird die Geräteleistung automatisch auf die niedrige Geschwindigkeit verringert.

Reinigen und Entleeren des Staubsaugers

Warnung! Gefahr durch Projektile bzw. für die Atemwege: Betreiben Sie den Staubsauger nie ohne Filter.

Warnung! Der Filter ist wiederverwendbar; verwechseln Sie ihn nicht mit Einweg-Staubbeuteln und werfen Sie ihn nicht weg, wenn das Gerät geleert wird. Wir empfehlen, dass Sie den Filter je nach Nutzungshäufigkeit alle 6 bis 9 Monate wechseln.

Entleeren des Staubfangbehälters (Abb. I, J, K, L)

- ◆ Drücken Sie die Taste zum Lösen des Staubfangbehälters (4), und entfernen Sie den Staubfangbehälter (5) vom Staubsauger.
- ◆ Drücken Sie mit dem Zeigefinger und dem Daumen die Laschen des Filtergehäuses zusammen und ziehen Sie das Filtergehäuse (6) wie in Abb. I gezeigt vom Staubfangbehälter ab.
- ◆ Platzieren Sie den Staubfangbehälter über einem Abfalleimer und leeren Sie ihn aus, siehe Abbildung J.
- ◆ Entfernen Sie den Schaumstofffilter (6a) wie in Abbildung K dargestellt vom Filtergehäuse.
- ◆ Entfernen Sie lockeren Staub durch vorsichtiges Schütteln oder Abbürsten vom Schaumstofffilter (6a) und vom Filter (6).
- ◆ Spülen Sie den Staubfangbehälter (5) mit warmem Seifenwasser aus.

- ◆ Spülen Sie die Filter mit warmer Seifenlauge aus.
- ◆ Stellen Sie sicher, dass die Filter vollständig trocken sind, bevor Sie sie wieder in das Filtergehäuse einsetzen.
- ◆ Setzen Sie den sauberen und trockenen Schaumstofffilter (6a) wieder in das Filtergehäuse (6) ein.
- ◆ Setzen Sie den Filter wieder in den Staubfangbehälter (5) ein.
- ◆ Setzen Sie den Staubfangbehälter so in den Staubsauger ein, dass er hörbar einrastet.

Entfernen und Reinigen der Schlagleiste (Abb. M, N)

Warnung! Um das Verletzungsrisiko durch bewegliche Teile zu verringern, nehmen Sie die Parkettdüse und das Verlängerungsrohr vor der Reinigung oder Wartung vom Staubsauger ab.

- ◆ Zum Entfernen der Schlagleiste (9b) von der Parkettdüse (9) schieben Sie den Schlagleistenlöseknopf (9a) zum hinteren Geräteteil.
- ◆ Die Schlagleiste (9b) kann nun herausgenommen und gereinigt werden.

Sichere Aufbewahrung (Abb. O)

Dieses Gerät kann bei Nichtgebrauch sicher aufbewahrt werden, indem die Verriegelung hinten an der Motoreinheit wie in Abbildung O gezeigt über der Aufbewahrungsstation (13) platziert wird.

Fehlerbehebung

Problem	Mögliche Ursache	Mögliche Lösung
Gerät startet nicht.	Akku wurde nicht ordnungsgemäß angebracht. Der Akku ist nicht geladen.	Prüfen Sie, ob der Akku richtig angebracht wurde. Prüfen Sie die erforderliche Ladekapazität
Akku lädt nicht.	Akku befindet sich nicht im Ladegerät. Das Ladegerät ist nicht mit dem Stromnetz verbunden. Umgebungstemperatur zu hoch oder zu niedrig.	Akku so in das Ladegerät einsetzen, dass die LED leuchtet. Stecken Sie den Stecker des Ladegeräts in eine aktive Steckdose. Weitere Details finden Sie unter „Wichtige Hinweise zum Aufladen“. Prüfen Sie, ob die Steckdose unter Spannung steht, indem Sie eine Lampe oder ein anderes Gerät an die Steckdose anschließen. Überprüfen Sie, ob die Steckdose mit einem Lichtschalter verbunden ist, der auch das Gerät ausschaltet, wenn das Licht ausgeschaltet wird. Bringen Sie Ladegerät und Werkzeug in eine Umgebung mit einer Lufttemperatur von über 4,5°C oder unter +40,5°C.

Wartung

Ihr BLACK+DECKER-Akku-Gerät wurde im Hinblick auf eine lange Lebensdauer und einen möglichst geringen Wartungsaufwand entwickelt.

Ein kontinuierlicher, zufriedenstellender Betrieb hängt von der richtigen Pflege des Gerätes und seiner regelmäßigen Reinigung ab.

Warnung! Vor dem Ausführen jeglicher Wartungsarbeiten an Akku-Geräten:

- ◆ Entladen Sie den Akku vor dem Abschalten vollständig, wenn es sich um einen internen Akku handelt.
- ◆ Ziehen Sie das Ladegerät aus der Netzsteckdose, bevor Sie es reinigen. Das Ladegerät benötigt keine Wartung, es sollte jedoch regelmäßig gereinigt werden.
- ◆ Reinigen Sie regelmäßig die Lüftungsschlitze des Geräts und des Ladegeräts mit einer weichen Bürste oder einem trockenen Tuch.
- ◆ Reinigen Sie das Motorgehäuse regelmäßig mit einem feuchten Tuch. Verwenden Sie keine scheuernden Reinigungsmittel oder Reinigungsmittel auf Lösungsmittelbasis.

Ersetzen der Filter

Die Filter sollten alle 6 bis 9 Monate ersetzt werden, bei sichtbaren Verschleißspuren oder Beschädigungen auch früher. Ersatzfilter erhalten Sie im BLACK+DECKER Fachhandel.

- ◆ Entfernen Sie die alten Filter wie oben beschrieben.
- ◆ Bringen Sie die neuen Filter wie oben beschrieben an.

Umweltschutz



Getrennte Entsorgung. Produkte und Akkus mit diesem Symbol dürfen nicht mit dem normalen Hausmüll entsorgt werden.

Produkte und Akkus enthalten Materialien, die wiederverwertet werden können, um den Bedarf an Rohstoffen zu verringern. Bitte recyceln Sie elektrische Produkte und Akkus gemäß den örtlichen Bestimmungen. Weitere Informationen finden Sie auf www.2helpU.com

Technische Daten

	BHFEA18	BHFEA18D
Spannung	18V	18V
Wattstunden	36Wh (18V 2,0Ah Akku)	36Wh (18V 2,0Ah Akku)
Ungefähre Ladezeit	5 Stunden	5 Stunden
Gewicht	2,4kg Gerät allein - 2,8kg mit Akku	2,4kg Gerät allein - 2,8kg mit Akku

Ladegerät		S010**2400040/ SSC-250040**	S018***1800100/ SSC-200100**
Eingangsspannung	V _{AC}	100 - 240	220 - 240
Ausgangsspannung	V _{DC}	8 - 20	8 - 20
Stromstärke	mA	400	1000

Ladegerät		S010**2400040/ SSC-250040**	S018***1800100/ SSC-200100**
Ungefähre Ladezeit	Stunden	3 - 5	1 - 5

Akku		BL1518	BL2018	BL4018
Spannung	V_{AC}	18	18	18
Kapazität	Ah	1,5	2,0	4,0
Typ		Li-Ionen	Li-Ionen	Li-Ionen

Garantie

Black & Decker vertraut auf die Qualität der eigenen Geräte und bietet dem Käufer eine außergewöhnliche Garantie von 24 Monaten ab Kaufdatum. Diese Garantie versteht sich unbeschadet der gesetzlichen Gewährleistungsansprüche und schränkt diese keinesfalls ein. Diese Garantie gilt innerhalb der Staatsgebiete der Mitgliedstaaten der Europäischen Union und der Europäischen Freihandelszone.

Zur Inanspruchnahme dieser Garantie muss sie den allgemeinen Geschäftsbedingungen von Black + Decker entsprechen und dem Verkäufer bzw. der Vertragswerkstatt ein Kaufnachweis vorzulegen. Die Bedingungen für die 2-jährige Garantie von Black&Decker und den Standort Ihrer nächstgelegenen Vertragswerkstatt finden Sie im Internet unter www.2helpU.com oder indem Sie sich an die lokale Black&Decker-Niederlassung wenden, deren Adresse Sie in dieser Anleitung finden.

Ihr neues Black & Decker Produkt können Sie auf unserer Website unter www.blackanddecker.de registrieren. Dort erhalten Sie auch Informationen über neue Produkte und Sonderangebote.



Veillez à attentivement lire l'intégralité de ce manuel avant d'utiliser l'appareil.

Consignes de sécurité



Avertissement ! Veillez à lire tous les avertissements sur la sécurité et toutes les instructions. Le non-respect des avertissements et des instructions listés ci-dessous peut occasionner des décharges électriques, des incendies et/ou de graves blessures.

- ◆ L'utilisation prévue est décrite dans ce manuel. L'utilisation d'un accessoire ou d'un équipement autre que ceux recommandés dans ce manuel et l'utilisation de cet appareil à d'autres fins que celles recommandées dans ce manuel d'utilisation peuvent entraîner un risque de blessures.
- ◆ Conservez ce manuel pour pouvoir vous y référer dans le futur.

Utiliser votre appareil

- ◆ N'utilisez pas cet appareil pour aspirer des liquides ou des matières qui pourraient prendre feu.
- ◆ N'utilisez pas l'appareil sans que le sac à poussière et/ou les filtres ne soient en place
- ◆ N'utilisez pas cet appareil près d'une source d'eau.

- ◆ Ne plongez pas l'appareil dans l'eau.
- ◆ Ne tirez jamais sur le fil du chargeur pour le débrancher.
Gardez le fil du chargeur à l'écart de toute source de chaleur, zone grasse et bord tranchant.
- ◆ Cet appareil peut être utilisé par des enfants âgés de 8 ans ou plus et par des personnes aux capacités physiques, sensorielles ou mentales réduites ou qui manquent d'expérience ou de connaissance, à condition qu'ils soient supervisés ou qu'ils aient été formés sur la façon sûre d'utiliser l'appareil et qu'ils comprennent les risques encourus. Les enfants ne doivent pas jouer avec l'appareil. Le nettoyage et les opérations de maintenance à réaliser par l'utilisateur ne doivent pas être exécutés par des enfants sans surveillance.

Inspections et réparations

Avant utilisation, contrôlez l'absence de dommage sur l'appareil ou ses pièces. Contrôlez l'absence de pièces cassées, d'interrupteurs endommagés et de toutes autres anomalies susceptibles de nuire au bon fonctionnement de l'appareil.

- ◆ N'utilisez pas l'appareil si une quelconque pièce est endommagée ou défectueuse.
- ◆ Faites réparer ou remplacer les pièces défectueuses ou endommagées par un réparateur agréé.
- ◆ Vérifiez régulièrement l'absence de dommage sur le fil du chargeur.

Si le fil est endommagé ou défectueux, remplacez le chargeur.

- ◆ Ne tentez jamais de retirer ou de remplacer des pièces autres que celles citées dans ce manuel.

Consignes de sécurité supplémentaires

Après utilisation

- ◆ Débranchez le chargeur pour le nettoyer ou pour nettoyer la station de charge.
- ◆ Lorsque vous n'utilisez pas l'appareil, rangez-le dans un endroit sec.
- ◆ Les enfants ne doivent pas avoir accès aux appareils une fois qu'ils sont rangés.

Risques résiduels

Certains risques résiduels autres que ceux mentionnés dans les avertissements sur la sécurité peuvent survenir en utilisant l'outil. Ces risques peuvent être dus à une utilisation incorrecte, une utilisation prolongée, etc. Malgré le respect de toutes les réglementations pertinentes sur la sécurité et la mise en œuvre de dispositifs de sécurité, certains risques résiduels ne peuvent pas être évités.

Ils comprennent :

- ◆ Les blessures dues au contact avec des pièces rotatives/mobiles.
- ◆ Les blessures dues au remplacement de pièces, de lames ou d'accessoires.
- ◆ Les blessures dues à l'utilisation prolongée d'un outil.

Lorsque vous utilisez un outil quel qu'il soit pendant de longues périodes, veillez à faire des pauses régulières.

- ◆ Les troubles de l'ouïe.
- ◆ Les risques pour la santé provoqués par l'inhalation des poussières générées pendant l'utilisation de votre outil (exemple : travail avec du bois, surtout le chêne, le hêtre et les panneaux en MDF).

Batteries et chargeurs

Batteries

(peuvent être vendues séparément)

- ◆ Les batteries rechargeables doivent être retirées de l'appareil avant d'être rechargées.
- ◆ Les batteries doivent être installées en respectant la polarité.
- ◆ Les batteries usagées doivent être retirées de l'appareil et jetées de façon sûre.
- ◆ Retirez les batteries si l'appareil doit rester longtemps sans être utilisé.
- ◆ Les bornes d'alimentation ne doivent pas être mises en court-circuit.
- ◆ Ne tentez de les ouvrir sous aucun prétexte.
- ◆ N'exposez pas la batterie à l'eau.
- ◆ N'exposez pas la batterie à la chaleur.
- ◆ Ne stockez pas la batterie dans des endroits où la température peut dépasser 40°C.
- ◆ Ne les rechargez qu'à une température ambiante comprise entre 10°C et 40°C.
- ◆ Ne procédez à la charge qu'avec le chargeur fourni avec l'appareil/outil.

L'utilisation d'un chargeur inadapté peut occasionner une décharge électrique ou la surchauffe de la batterie.

- ◆ Au moment de jeter les batteries, respectez les instructions mentionnées dans la section "Protection de l'environnement".
- ◆ Ne déformez/n'endommagez pas le bloc-batterie en le perçant ou en le cognant car cela pourrait entraîner des blessures et un incendie.
- ◆ Ne rechargez pas des batteries endommagées.
- ◆ Dans des conditions extrêmes, la batterie peut fuir. Si vous détectez une fuite, utilisez un chiffon pour essuyer le liquide avec précaution. Évitez tout contact avec la peau.
- ◆ En cas de contact avec la peau ou les yeux, respectez les consignes mentionné ci-dessous.

Avertissement ! Le liquide de la batterie peut provoquer des blessures ou des dégâts matériels.

En cas de contact avec la peau, rincez immédiatement à l'eau. Si des rougeurs, une douleur ou une irritation se produisent, consultez un médecin. En cas de contact avec les yeux, rincez immédiatement à l'eau et consultez un médecin.

Chargeurs (peuvent être vendus séparément)

Votre chargeur a été conçu pour une tension spécifique.

Vérifiez toujours que la tension du réseau électrique correspond à celle de la plaque signalétique et des informations du tableau de données techniques.

Avertissement ! N'essayez jamais de remplacer le module de charge par une prise de courant ordinaire.

- ◆ N'utilisez votre chargeur BLACK+DECKER que pour recharger la batterie de l'appareil/outil avec lequel il a été livré. Les autres batteries pourraient exploser et entraîner des blessures et des dommages.
- ◆ Ne tentez jamais de recharger des piles non rechargeables.
- ◆ Si le câble d'alimentation est endommagé, il doit être remplacé par le fabricant ou par un centre d'assistance agréé BLACK+DECKER afin d'éviter tout accident.
- ◆ N'exposez pas le chargeur à l'eau.
- ◆ N'ouvrez pas le chargeur.
- ◆ Ne sondez pas le chargeur.
- ◆ Pendant la charge, l'appareil/l'outil/la batterie doivent être placés dans un endroit bien aéré.

Sécurité électrique

Symboles sur le chargeur



Veillez à attentivement lire l'intégralité de ce manuel avant d'utiliser l'appareil.



Cet outil est doublement isolé et ne nécessite donc aucun fil de terre. Veillez toujours à ce que l'alimentation électrique corresponde à la tension mentionnée sur la plaque signalétique.



La station de charge ne peut être utilisée qu'à l'intérieur.

Étiquettes apposées sur l'appareil

Les symboles qui suivent figurent sur l'appareil avec le code date



Lisez attentivement l'intégralité de ce manuel avant d'utiliser l'appareil

Caractéristiques

Cet outil dispose de tout ou partie des éléments suivants.

1. Interrupteur Marche/Arrêt
2. Port de charge
3. Témoin du niveau de charge
4. Bouton de libération du bac à poussière
5. Bac à poussière transparent
6. Ensemble Filtre cyclone
7. Bouton de libération du tube-rallonge
8. Rallonge de perche
9. Tête d'aspiration pour les sols (avec capteur intégré)
10. Bouton de libération de la brosse rotative
11. Suceur plat
12. Batterie
- 12a. Chargeur
13. Station de rangement

Utilisation

Recharger la batterie (Fig. A, B)

Le chargeur standard fourni permet de recharger une batterie complètement vide en 5 heures environ

- ◆ Branchez le chargeur (12a) dans une prise appropriée avant d'insérer le bloc-batterie (12).
- ◆ Insérez le bloc-batterie (12) dans le chargeur (12a) comme illustré par la figure A.
- ◆ Le voyant vert (12b) clignote pour indiquer que la batterie est en charge.
- ◆ La fin de la charge est indiquée par le voyant vert (12b) restant fixe en continu. Le bloc est alors complètement rechargé et il peut soit être utilisé, soit être laissé dans le chargeur.

Remarque : Rechargez les batteries déchargées dès que possible après utilisation pour ne pas grandement diminuer leur durée de vie.

Remarque : Le chargeur et le bloc-batterie peuvent rester connectés avec le voyant allumé en continu.

Le chargeur maintient le bloc-batterie complètement chargé.

Remarques importantes liées à la charge

- ◆ Une durée de vie prolongée et de meilleures performances peuvent être obtenues si le bloc-batterie est rechargé à une température ambiante comprise entre 18° et 24°C. NE rechargez PAS le bloc-batterie si la température ambiante est inférieure à +4,5°C ou supérieure à +40,5°C.

Cette consigne est importante et elle permet d'éviter le grave endommagement du bloc-batterie.

- ◆ Le chargeur et le bloc-batterie peuvent devenir chauds au toucher pendant la charge. C'est normal et cela n'indique pas un problème. Afin de faciliter le refroidissement du bloc-batterie après utilisation, évitez de placer le chargeur ou le bloc-batterie dans un environnement chaud comme une remise métallique ou une remorque non isolée.
- ◆ Si le bloc-batterie ne se recharge pas correctement :
 - ◆ Vérifiez la présence de courant en branchant une lampe ou un autre appareil dans la prise murale.
 - ◆ Vérifiez que la prise murale n'est pas reliée à un interrupteur coupant l'alimentation lorsqu'on éteint l'éclairage.
 - ◆ Déplacez le chargeur et le bloc-batterie dans un endroit où la température ambiante est comprise entre 18° et 24°C environ.
 - ◆ Si les problèmes de charge persistent, apportez l'outil, le bloc-batterie et le chargeur à votre centre d'assistance local.
- ◆ Le bloc-batterie doit être rechargé lorsqu'il ne parvient plus à fournir la puissance nécessaire aux opérations qui étaient facilement réalisées auparavant. CÉSEZ D'UTILISER l'outil dans ces conditions. Respectez la procédure de charge. Vous pouvez également charger un bloc déjà utilisé si vous le souhaitez, sans que cela n'affecte le bloc-batterie.
- ◆ Les corps étrangers de nature conductrice tels que, notamment, la laine d'acier, le papier aluminium ou toute accumulation de particules métalliques, doivent être tenus éloignés des cavités du chargeur. Débranchez toujours le chargeur de l'alimentation électrique lorsqu'aucun bloc-batterie n'y est installé. Débranchez le chargeur avant de le nettoyer.
- ◆ Ne congélez pas le chargeur et ne l'immergez pas dans l'eau ou dans tout autre liquide.

Avertissement ! Ne laissez aucun liquide pénétrer dans le chargeur. Ne tentez jamais d'ouvrir le bloc-batterie pour quelque raison que ce soit.

Si le corps en plastique du bloc-batterie se casse ou se fissure, retournez-le à un centre d'assistance pour qu'il soit recyclé.

Témoin du niveau de charge (Fig. C)

Cet appareil dispose d'un témoin du niveau de charge (3) qui est composé de trois voyants qui indiquent le niveau de charge restant dans la batterie. Cette fonction n'est active que quand l'aspirateur est allumé et quand il est en charge.

Le témoin du niveau de charge sert d'indicateur approximatif du niveau de charge restant dans le bloc-batterie

Les voyants affichent la charge restante et vous avertissent quand la batterie est vide.

La dernière LED clignote en continu quand l'autonomie restante est très faible.

Remarque : Le témoin du niveau de charge n'est qu'un indicateur, de la charge restante de la batterie. Elle n'indique pas la fonctionnalité de l'outil et peut être sujette à des variations en fonction des composants du produit, de la température et de l'utilisation faite par l'utilisateur final.

Installer et retirer la batterie (Fig. D, E)

Avertissement ! Assurez-vous que l'aspirateur est éteint avant de retirer ou d'installer la batterie.

Pour installer le bloc-batterie

- ◆ Insérez le bloc-batterie (12) dans l'aspirateur (12c) jusqu'à entendre un clic (figure D). Assurez-vous que le bloc-batterie est bien en place et correctement verrouillé.

Pour retirer le bloc-batterie

- ◆ Appuyez sur le bouton de libération de la batterie (12d) comme illustré par la figure E et tirez sur le bloc-batterie pour le sortir de l'aspirateur.

Assemblage (Fig. F)

- ◆ Alignez le haut du tube-rallonge (8) avec le raccord sur l'aspirateur (7a), comme illustré par la Fig. F.
- ◆ Poussez le tube-rallonge (8) sur le raccord sur l'aspirateur (7a) pour qu'il se verrouille en place.
- ◆ Pour retirer le tube-rallonge, enfoncez le bouton de libération (7) et tirez doucement sur le tube-rallonge pour le sortir.

Avertissement ! Lorsque vous ne l'utilisez pas, positionnez l'appareil pour l'arrière fasse face à un mur de sorte qu'en cas de chute l'appareil heurte le mur et non une personne ou un animal.

Utilisation

Cet aspirateur peut être utilisé de deux façons.

- ◆ Avec le tube-rallonge (8) et la tête d'aspiration pour les sols (9).
- ◆ Avec le suceur plat (11) directement sur l'aspirateur.

Installer les accessoires (Fig. G)

- ◆ Le suceur plat (11) sert à aspirer dans les endroits étroits et difficiles d'accès.
- ◆ Pour fixer le suceur plat (11) enfoncez-le dans le raccord sur l'aspirateur (7a) pour qu'il se verrouille en place, comme illustré par la figure G.
- ◆ Pour retirer le suceur plat (11) enfoncez le bouton de libération (11a) et tirez doucement sur le suceur plat pour le sortir.

Mise en marche et extinction (Fig. H)

- ◆ Pour allumer l'appareil, enfoncez le bouton Marche/Arrêt (1).

- ◆ Pour augmenter la puissance, appuyez de nouveau sur le bouton Marche/Arrêt (1).
- ◆ Appuyez une troisième fois sur le bouton Marche/Arrêt (1) pour éteindre l'appareil.

Remarque : Les LED témoins du niveau de charge (3) s'allument lorsque l'aspirateur est en marche.

- ◆ Pour les éteindre, glissez l'interrupteur Marche/Arrêt (1) sur la position "0".
- ◆ Rechargez la batterie (12) immédiatement après l'avoir utilisée, de sorte qu'elle soit à nouveau prête et parfaitement rechargée pour la prochaine fois.

Capteur de sol

Le capteur de sol est actif à la vitesse la plus basse. Lorsque de la moquette ou un tapis sont détectés, l'appareil passe automatiquement à une vitesse supérieure. Si c'est un sol dur qui est détecté, la vitesse de l'appareil est automatiquement diminuée.

Nettoyer et vider l'aspirateur

Avertissement ! Risque de projection/Risque respiratoire : N'utilisez jamais l'aspirateur sans son filtre.

Avertissement ! Le filtre est réutilisable, ne le confondez-pas avec un sac à poussière jetable et ne le jetez pas en vidant l'appareil. Nous vous recommandons de remplacer le filtre tous les 6 à 9 mois en fonction de la fréquence d'utilisation.

Pour vider le bac à poussière (Fig. I, J, K, L)

- ◆ Enfoncez le bouton de libération du bac à poussière (4) pour le libérer le bac à poussière (5) et pouvoir le retirer de l'aspirateur.
- ◆ Utilisez votre index et votre pouce pour pincer les pattes du porte-filtre et tirez le porte-filtre (6) hors du bac à poussière, comme illustré par la figure I.
- ◆ Placez le bac à poussière au-dessus d'une poubelle et videz-le, comme illustré par figure J.
- ◆ Retirez le filtre en mousse (6a) du porte-filtre, comme illustré par la figure K.
- ◆ Secouez ou brossez légèrement toute la poussière du filtre en mousse (6a) et de l'autre filtre (6).
- ◆ Rincez le bac à poussière (5) à l'eau chaude savonneuse.
- ◆ Lavez les filtres à l'eau chaude savonneuse.
- ◆ Veillez à ce que les filtres soient parfaitement secs avant de les réinstaller dans le porte-filtre.
- ◆ Réinstallez le filtre en mousse (6a), propre et sec, dans le porte-filtre (6).
- ◆ Installez le porte-filtre dans le bac à poussière (5).
- ◆ Installez le bac à poussière sur l'aspirateur jusqu'à ce qu'il s'enclenche en place.

Retirer et nettoyer la brosse rotative (Fig. M, N)

Avertissement ! Afin de réduire le risque de blessures avec les pièces mobiles, retirez la tête d'aspiration pour les sols et le tube-rallonge de l'aspirateur avant le nettoyage et l'entretien.

- ◆ Pour retirer la brosse rotative (9b) de la tête d'aspiration pour les sols (9), glissez le bouton de libération (9a) vers l'arrière de l'appareil.
- ◆ La brosse rotative (9b) peut alors être retirée et nettoyée.

Rangement sécurisé (Fig. O)

Lorsque vous ne l'utilisez pas, vous pouvez ranger l'appareil en toute sécurité en fixant l'attache à l'arrière du bloc-moteur sur la station de rangement (13), comme illustré par la figure O.

Dépannage

Problème	Cause possible	Solution possible
La machine ne démarre pas.	Le bloc-batterie n'est pas bien installé. La batterie n'est pas chargée.	Vérifiez l'installation du bloc-batterie. Vérifiez si bloc-batterie a besoin d'être rechargé
Le bloc-batterie ne se recharge pas.	La batterie n'est pas correctement insérée dans le chargeur. Le chargeur n'est pas branché. La température ambiante est trop chaude ou trop froide.	Insérez la batterie dans le chargeur jusqu'à ce que le voyant s'allume. Branchez le chargeur dans une prise murale qui fonctionne. Consultez la section "Remarques importantes sur la charge" pour avoir plus de détails. Vérifiez le courant en branchant une lampe ou un autre appareil dans la prise murale. Vérifiez que la prise murale n'est pas reliée à un interrupteur coupant l'alimentation lorsqu'on éteint l'éclairage. Déplacez le chargeur et l'outil dans un endroit dont la température ambiante est supérieure à 4,5°C ou inférieure à +40,5°C.

Maintenance

Votre appareil BLACK+DECKER sans-fil a été conçu pour fonctionner longtemps avec un minimum d'entretien. Le fonctionnement continu et satisfaisant de l'outil dépend de son bon entretien et de son nettoyage régulier.

Avertissement ! Avant toute intervention de maintenance sur les appareils sans-fil :

- ◆ Déchargez complètement la batterie si elle est intégrée au système, puis arrêtez l'appareil.
- ◆ Débranchez le chargeur de le nettoyer. Votre chargeur ne nécessite aucun entretien particulier, à l'exception d'un nettoyage régulier.
- ◆ Nettoyez régulièrement les orifices de ventilation de votre appareil/chargeur à l'aide d'une brosse souple ou d'un chiffon sec.

- ◆ Nettoyez régulièrement le bloc-moteur à l'aide d'un chiffon humide. N'utilisez pas de détergents abrasifs ou à base de solvants.

Cette garantie est valable au sein des territoires des États membres de l'Union européenne et au sein de la Zone européenne de libre-échange.

Remplacer les filtres

Les filtres doivent être remplacés tous les 6 à 9 mois et chaque fois qu'ils sont usés ou endommagés. Des filtres de rechange sont disponibles auprès de votre revendeur BLACK+DECKER.

- ◆ Retirez les filtres usagés, comme décrit ci-dessus.
- ◆ Installez les filtres neufs, comme décrit ci-dessus.

Protection de l'environnement



Tri sélectif. Les produits et piles/batteries marqués de ce symbole ne doivent pas être jetés avec les déchets ménagers.

Les produits et les piles/batteries contiennent des matières qui peuvent être récupérées et recyclées afin de réduire la demande en matières premières.

Veillez à recycler les produits électriques et les piles/batteries conformément aux prescriptions locales en vigueur. Pour plus d'informations, consultez le site www.2helpU.com

Pour prétendre à la garantie, la réclamation doit être conforme aux conditions générales de Black & Decker et vous devez fournir une preuve d'achat au vendeur ou au réparateur agréé.

Les conditions générales de la garantie de 2 ans Black&Decker ainsi que l'adresse du réparateur agréé le plus proche sont disponibles sur le site Internet www.2helpU.com ou en contactant votre agence Black & Decker locale à l'adresse indiquée dans ce manuel.

Consulter notre site Internet www.blackanddecker.co.uk pour enregistrer votre nouveau produit Black & Decker et pour être tenu informé des nouveautés et des offres spéciales.

Caractéristiques techniques

	BHFEA18	BHFEA18D
Tension	18v	18v
Watheures	36wh (bloc-batterie 2.0ah 18v)	36wh (bloc-batterie 2.0ah 18v)
Durée approximative de la charge	5 heures	5 heures
Poids	2,4kg appareil seul - 2,8kg avec batterie	2,4kg appareil seul - 2,8kg avec batterie

Chargeur		S010**2400040/ SSC-250040**	S018***1800100/ SSC-200100**
Tension d'entrée	V_{ca}	100 - 240	220 - 240
Tension de sortie	V_{cc}	8 - 20	8 - 20
Courant	mA	400	1000
Durée de charge approx.	Heures	3 - 5	1 - 5

Batterie		BL1518	BL2018	BL4018
Tension	V_{ca}	18	18	18
Capacité	Ah	1,5	2,0	4,0
Type		Li-Ion	Li-Ion	Li-Ion

Garantie

Black & Decker est sûr de la qualité de ses produits et offre une garantie de 24 mois à ses clients, à partir de la date d'achat. Cette garantie s'ajoute à vos droits légaux auxquels elle ne porte aucunement préjudice.

Uso previsto

I modelli di Scopa ricaricabile BLACK+DECKER BHFEA18 e BHFEA18D1 sono stati progettati per la pulizia tramite aspirazione. Questo apparecchio è concepito esclusivamente per uso domestico.



Leggere attentamente tutto il contenuto di questo manuale prima di usare l'apparecchio.

Istruzioni di sicurezza



Avvertenza! Leggere attentamente tutte le avvertenze e le istruzioni. La mancata osservanza delle avvertenze e delle istruzioni seguenti può dar luogo a scossa elettrica, incendio e/o lesioni gravi.

- ◆ L'uso previsto è descritto in questo manuale. Se questo apparecchio viene utilizzato con accessori o dotazioni o per impieghi diversi da quelli raccomandati in questo manuale, si potrebbero verificare lesioni a persone.
- ◆ Conservare questo manuale per riferimenti futuri.

Uso dell'apparecchio

- ◆ Non usare l'apparecchio per aspirare liquidi o materiali che potrebbero incendiarsi.
- ◆ Non utilizzare l'apparecchio se il sacchetto raccogli-polvere e/o i filtri non sono in sede
- ◆ Non usare l'apparecchio vicino all'acqua.
- ◆ Non immergere l'apparecchio in acqua.

- ◆ Non scollegare mai il caricabatterie dalla presa di corrente tirando il cavo di alimentazione.

Tenere il cavo di alimentazione del caricabatterie lontano da fonti di calore, olio e bordi taglienti.

- ◆ Questo apparecchio può essere usato da bambini dagli 8 anni in su e da persone portatrici di handicap fisici, psichici o sensoriali o che non abbiano la dovuta esperienza o conoscenza, sempre che siano seguiti o opportunamente istruiti su come utilizzarlo in sicurezza e comprendano i pericoli inerenti. Non lasciare giocare i bambini con l'apparecchio. Gli interventi di pulizia e di manutenzione previsti da parte dell'utilizzatore non devono essere eseguiti da bambini senza supervisione.

Ispezione e riparazioni

Prima dell'uso verificare che l'apparecchio non presenti parti danneggiate o difettose. Controllare che non vi siano componenti rotti, interruttori danneggiati o altre condizioni che potrebbero incidere sul suo funzionamento.

- ◆ Non usare l'apparecchio se alcune parti sono danneggiate o difettose.
- ◆ Far riparare o sostituire le parti danneggiate o difettose da un tecnico autorizzato.
- ◆ Controllare a intervalli regolari che il cavo di alimentazione del caricabatterie non sia danneggiato.

Sostituire il caricabatterie se il cavo è danneggiato o difettoso.

- ◆ Non tentare di smontare o sostituire alcuna parte, ad eccezione di quelle specificate in questo manuale.

Istruzioni di sicurezza aggiuntive

Dopo l'uso

- ◆ Prima di pulire il caricabatterie o la base di carica scollegare il caricabatterie dalla presa di corrente.
- ◆ Quando non viene usato, l'apparecchio deve essere conservato in un luogo asciutto.
- ◆ L'apparecchio non deve essere riposto alla portata dei bambini.

Rischi residui

L'utilizzo dell'apparecchio può comportare rischi residui non necessariamente riportati nelle avvertenze di sicurezza. Tali rischi possono sorgere a seguito di un uso prolungato, improprio, ecc.

Malgrado il rispetto delle norme di sicurezza pertinenti e l'implementazione di dispositivi di sicurezza, alcuni rischi residui non possono essere evitati. Tali rischi includono:

- ◆ lesioni causate dal contatto con parti rotanti/in movimento.
- ◆ lesioni subite durante la sostituzione di parti, lame o accessori.
- ◆ lesioni causate dall'impiego prolungato di un apparecchio (quando si utilizza qualsiasi elettroutensile per lunghi periodi, accertarsi di fare regolarmente delle pause);

- ◆ menomazioni uditive.
- ◆ rischi per la salute causati dall'inalazione di polvere generata dall'utilizzo dell'apparecchio (ad esempio, quando si lavora con il legno, in modo particolare quello di quercia, faggio o l'MDF).

Batterie e caricabatterie

Batterie (possono essere vendute separatamente)

- ◆ Le batterie ricaricabili devono essere rimosse dall'apparecchio prima di caricarle.
- ◆ Inserire le batterie prestando attenzione al rispetto della polarità corretta.
- ◆ Le batterie scariche devono essere rimosse dall'apparecchio prima di caricarle.
- ◆ Se si prevede che l'apparecchio rimarrà inutilizzato per lungo tempo, rimuovere la batteria.
- ◆ I morsetti di alimentazione non devono essere cortocircuitati.
- ◆ Non tentare mai di aprire la batteria per alcun motivo.
- ◆ Non lasciare che le batterie si bagnino.
- ◆ Non esporre la batteria al calore.
- ◆ Non conservare in ambienti in cui la temperatura potrebbe superare 40 °C.
- ◆ Caricare le batterie solo a temperature ambientali comprese tra 10 °C e 40 °C.
- ◆ Caricare solo usando il caricabatterie fornito con l'elettroutensile.
L'uso del caricabatterie sbagliato potrebbe causare scosse elettriche o il surriscaldamento della batteria.

- ◆ Per lo smaltimento delle batterie, seguire le istruzioni fornite nella sezione “Tutela ambientale”.
- ◆ Non danneggiare/deformare il pacco batteria forandolo o colpendolo, per evitare il rischio di lesioni personali o di incendio.
- ◆ Non caricare le batterie danneggiate.
- ◆ In condizioni estreme, si potrebbe verificare la perdita di liquido dalla batteria. Se si nota la presenza di liquido sulle batterie, pulirle con attenzione con uno straccio. Evitare il contatto con la pelle.
- ◆ In caso di contatto con la pelle o gli occhi, seguire le istruzioni riportate di seguito.

Avvertenza! Il liquido delle batterie può causare lesioni a persone o danni alle cose.

In caso di contatto con la pelle, risciacquare immediatamente con acqua. In caso di arrossamento, dolore o irritazione, rivolgersi immediatamente a un medico. In caso di contatto con gli occhi, risciacquarli immediatamente con acqua pulita e consultare un medico.

Caricabatterie (possono essere venduti separatamente)

Il caricabatterie è stato progettato per una tensione specifica.

Controllare sempre che la tensione di rete corrisponda alla tensione indicata sulla targhetta dei valori nominali e nella tabella dei dati tecnici.

Avvertenza! Non tentare mai di sostituire il caricabatterie con una spina elettrica tradizionale.

- ◆ Usare il caricabatterie BLACK+DECKER solo per caricare la batteria dell'apparecchio con il quale è stato fornito. Tipi diversi di batterie potrebbero scoppiare provocando lesioni personali e danni materiali.
- ◆ Non tentare mai di caricare batterie non ricaricabili.
- ◆ In caso di danneggiamento del cavo di alimentazione, farlo riparare dal produttore o presso un Centro di assistenza BLACK+DECKER autorizzato, in modo da evitare pericoli.
- ◆ Non lasciare che il caricabatterie si bagni.
- ◆ Non aprire il caricabatterie.
- ◆ Non collegare il caricabatterie a sonde.
- ◆ L'apparecchio/elettrotensile/la batteria devono essere lasciati in una zona ben ventilata durante la carica.

Sicurezza elettrica

Simboli sul caricabatterie



Leggere attentamente questo manuale prima di usare l'apparecchio.



Il doppio isolamento di cui è provvisto l'apparecchio rende superfluo il filo di terra. Verificare sempre che la tensione della rete di alimentazione corrisponda a quella indicata sulla targhetta dei valori nominali.



La base di carica è destinata esclusivamente all'uso in ambienti interni.

Etichette sull'apparecchio

Sull'apparecchio sono presenti i seguenti simboli, assieme al codice data



Leggere attentamente questo manuale prima di usare il caricabatterie

Caratteristiche

Questo apparecchio presenta alcune o tutte le seguenti caratteristiche.

1. Pulsante di accensione/spengimento
2. Presa di carica
3. Indicatore dello stato di carica
4. Pulsante di rilascio contenitore raccogli-polvere
5. Contenitore raccogli-polvere trasparente
6. Gruppo filtro ciclonico
7. Pulsante di rilascio asta di prolunga
8. Asta di prolunga
9. Spazzola per pavimenti (con tecnologia Floorsense incorporata)
10. Pulsante di rilascio rullo di raccolta
11. Bocchetta a lancia
12. Batteria
- 12a. Caricabatterie
13. Supporto per attacco a muro

Uso

Carica della batteria (Figg. A e B)

Il caricabatterie standard in dotazione carica la batteria completamente scarica in circa 5 ore

- ◆ Collegare il caricabatterie (12a) a una presa di corrente adatta prima di inserirvi il pacco batteria (12).
- ◆ Inserire il pacco batteria (12) nel caricabatterie (12a), come illustrato nella Figura A.
- ◆ Mentre la carica è in corso il LED verde (12b) lampeggia.
- ◆ Il completamento della carica è indicato dal LED verde (12b) che rimane acceso fisso. La batteria a quel punto è completamente carica e può essere utilizzata subito o lasciata nel caricabatterie.

Nota: ricaricare le batterie scariche al più presto dopo l'uso, altrimenti la loro durata potrebbe ridursi notevolmente.

Nota: il caricabatterie e il pacco batteria possono essere lasciati collegati per un tempo indefinito con il LED verde acceso.

Il caricabatterie manterrà il pacco batteria come nuovo e completamente carico.

Note importanti riguardanti la carica

- ◆ È possibile ottenere la massima durata e le migliori prestazioni se il pacco batteria è carico e la temperatura atmosferica è di 18 - 24 °C. NON caricare il pacco batteria se la temperatura atmosferica è inferiore ai +4,5 °C o superiore a +40,5 °C. Questo fatto è importante e consentirà di evitare gravi danni alla batteria.

- ◆ Il caricabatterie e il pacco batteria possono diventare caldi al tatto durante la carica. Si tratta di un fatto normale che non indica la presenza di problemi. Per facilitare il raffreddamento del pacco batteria dopo l'uso, evitare di posizionare il caricabatterie o il pacco batteria in un ambiente caldo, come ad esempio all'interno un capannone di metallo o di un rimorchio non isolato.
- ◆ Se il pacco batteria non si carica correttamente:
 - ◆ verificare la presenza di corrente nella presa elettrica, collegandovi una lampada o un apparecchio simile;.
 - ◆ verificare se la presa è collegata a un interruttore dell'impianto di illuminazione e la corrente viene interrotta quando si spegne la luce;
 - ◆ spostare il caricabatterie e il pacco batteria in un luogo in cui la temperatura atmosferica sia di circa 18 - 24 °C.
 - ◆ Se i problemi di carica persistono, portare l'apparecchio, il pacco batteria e il caricabatterie presso il proprio centro di assistenza di zona.
- ◆ Il pacco batteria deve essere sostituito se non riesce a produrre energia a sufficienza per svolgere attività che prima venivano eseguite senza difficoltà. NON CONTINUARE a usarlo in queste condizioni. Seguire la procedura di carica. È anche possibile caricare un pacco batteria parzialmente usato ogni volta che si desidera, senza alcun effetto negativo sul pacco batteria stesso.
- ◆ Materiali estranei di natura conduttiva quali, a titolo esemplificativo, ma non esaustivo, lana d'acciaio, fogli di alluminio o qualsiasi accumulo di particelle metalliche, devono essere tenuti lontano dalle cavità del caricabatterie. Scollegare sempre il caricabatterie dalla presa di corrente quando il pacco batteria non è in sede. Staccare il caricabatterie dalla presa di corrente prima di iniziare a pulirlo.
- ◆ Non immergere nessuna parte del caricabatterie in acqua o altri liquidi.

Avvertenza! Non far penetrare alcun liquido all'interno del caricabatterie. Non tentare mai di aprire il pacco batteria per alcun motivo. Se l'alloggiamento in plastica del pacco batteria si rompe o si crepa, portarlo presso un centro di assistenza per il riciclaggio.

Indicatore dello stato di carica (Fig. C)

Questo apparecchio include un indicatore dello stato di carica (3) consistente in tre spie a LED che indicano il livello di carica rimanente della batteria. Questa funzione viene attivata soltanto quando l'apparecchio è acceso e in carica. L'indicatore dello stato di carica fornisce un'indicazione dei livelli approssimativi di carica rimanente nel pacco batteria. L'indicatore a LED della batteria mostra la carica rimanente e avvisa quando il livello di carica è basso.

L'ultimo LED lampeggia in modo continuo se rimane poca carica per il funzionamento.

Nota: l'indicatore dello stato di carica fornisce solo un'indicazione

del livello di carica rimanente della batteria.

Esso non indica la funzionalità dell'elettrotensile ed è soggetto a variazioni in base ai componenti del prodotto, alla temperatura e all'applicazione da parte dell'utilizzatore finale.

Installazione e rimozione della batteria (Figg. D ed E)

Avvertenza! Accertarsi che l'aspirapolvere sia spento prima di rimuovere o installare la batteria.

Come installare il pacco batteria

- ◆ Inserire il pacco batteria (12) nell'aspirapolvere (12c) fino a quando si avverte uno scatto (Figura D). Assicurarsi che il pacco batteria sia insediato a fondo e completamente bloccato in sede.

Come estrarre il pacco batteria

- ◆ Premere il pulsante di rilascio della batteria (12d), come illustrato nella Figura E, ed estrarre il pacco batteria dall'apparecchio.

Montaggio (Fig. F)

- ◆ Allineare la parte superiore del tubo di prolunga (8) con la presa di aspirazione (7a), come illustrato nella Fig. F.
- ◆ Spingere il tubo di prolunga (8) nella presa di aspirazione (7a) in modo che si blocchi in posizione.
- ◆ Per rimuovere il tubo di prolunga, premere il pulsante di rilascio del tubo di prolunga (7) e tirare via delicatamente il tubo di prolunga.

Avvertenza! Quando non è in uso, posizionare la scopa con la parte posteriore dell'apparecchio rivolta verso una parete, affinché, in caso di caduta accidentale, l'apparecchio finisca contro la parete anziché contro persone o animali domestici.

Uso

Questa scopa ricaricabile può essere utilizzata in due modalità.

- ◆ Con il tubo di prolunga (8) e la spazzola per pavimenti (9).
- ◆ Con la bocchetta a lancia (11) e l'aspiratore estraibile.

Montaggio degli accessori (Fig. G)

- ◆ La bocchetta a lancia (11) consente di pulire negli interstizi e nei punti difficili da raggiungere.
- ◆ Per fissare la bocchetta a lancia (11) premerla nella presa di aspirazione (7a) in modo che si blocchi in posizione, come mostrato nella Figura G.
- ◆ Per rilasciare la bocchetta a lancia (11) premere il pulsante di rilascio della bocchetta a lancia (11a) ed estrarla delicatamente.

Accensione e spegnimento (Fig. H)

- ◆ Per accendere l'apparecchio, premere il pulsante di accensione/spegnimento (1).
- ◆ Per una maggiore potenza, premere nuovamente il pulsante di accensione/spegnimento (1).
- ◆ Premere il pulsante di accensione/spegnimento (1) una terza volta per spegnere l'apparecchio.

Nota: i LED dell'indicatore dello stato di carica (3) si illuminano quando l'apparecchio è acceso.

- ◆ Per spegnere l'apparecchio, far scorrere l'interruttore di accensione/spegnimento (1) nella posizione "0".
- ◆ Caricare la batteria (12) subito dopo l'uso, in modo tale che sia pronta e completamente carica per l'utilizzo successivo.

Tecnologia Floorsense

La tecnologia Floorsense è attiva quando la scopa funziona a bassa velocità. Se viene rilevato un tappeto la scopa passa automaticamente al funzionamento ad alta velocità. Se invece viene rilevato un pavimento duro, la velocità di funzionamento si abbassa.

Pulizia e svuotamento dell'aspiratore

Avvertenza! Pericolo proiettile/respiratorio: Non usare mai l'aspiratore senza il filtro.

Avvertenza! Il filtro è riutilizzabile. Non confonderlo con un sacchetto raccogli-polvere usa e getta e non gettarlo nei rifiuti quando l'aspiratore viene svuotato. Si raccomanda di cambiare il filtro ogni 6-9 mesi, a seconda della frequenza di utilizzo.

Come svuotare il contenitore raccogli-polvere (Figg. I, J, K e L)

- ◆ Premere il pulsante di rilascio del contenitore raccogli-polvere (4) per sganciare e rimuovere il contenitore raccogli-polvere (5) dall'aspiratore.
- ◆ Utilizzare l'indice e il pollice per schiacciare le linguette dell'alloggiamento del filtro ed estrarre l'alloggiamento del filtro (6) dal contenitore polvere, come mostrato nella Figura I.
- ◆ Posizionare il contenitore raccogli-polvere sopra una pattumiera e svuotarlo, come illustrato nella Figura J.
- ◆ Rimuovere il filtro in spugna (6a) dall'alloggiamento del filtro, come mostrato nella Figura K.
- ◆ Scuotere o spazzolare via delicatamente la polvere dal filtro di spugna (6a) e dal filtro (6).
- ◆ Sciacquare il contenitore raccogli-polvere (5) con acqua calda e sapone.
- ◆ Lavare i filtri in acqua calda saponata.
- ◆ Assicurarsi che i filtri siano completamente asciutti prima di rimontarli nell'alloggiamento del filtro.

- ◆ Rimontare il filtro a spugna pulito e asciutto (6a) nell'alloggiamento del filtro (6).
- ◆ Inserire l'alloggiamento del filtro nel contenitore raccogli-polvere (5).
- ◆ Installare il contenitore raccogli-polvere sull'aspirapolvere, finché non "scatta" saldamente in posizione.

Rimozione e pulizia del rullo di raccolta (Figg. M e N)

Avvertenza! Per ridurre il rischio di lesioni personali derivanti dalle parti in movimento, scollegare la spazzola per pavimenti e il tubo di prolunga dall'aspiratore prima di pulirlo o sottoporlo a manutenzione.

- ◆ Per rimuovere il rullo di raccolta (9b) dalla spazzola per pavimenti (9) far scorrere il pulsante di rilascio del rullo di raccolta (9a) nella parte posteriore dell'unità.
- ◆ A quel punto è possibile rimuovere e pulire il rullo di raccolta (9b).

Conservazione sicura (Fig. O)

Quando non viene utilizzato, l'apparecchio può essere conservato in modo sicuro, posizionando il fermo presente nella parte posteriore del corpo motore sul supporto per attacco a muro (13), come mostrato nella Figura O.

Guida alla risoluzione dei problemi

Problema	Possibile causa	Possibile soluzione
L'unità non si avvia.	Batteria non installata correttamente. Batteria scarica.	Verificare che la batteria sia inserita in modo corretto. Controllare i requisiti di carica del pacco batteria

Problema	Possibile causa	Possibile soluzione
La batteria non si carica.	La batteria non è inserita nel caricabatterie. Il caricabatterie non è collegato a una presa di corrente. Temperatura atmosferica troppo alta o troppo bassa.	Inserire la batteria nel caricabatterie finché il LED si illumina. Collegare il caricabatterie a una presa di corrente funzionante. Consultare le "Note importanti riguardanti la carica" per ulteriori dettagli. Verificare la presenza di corrente nella presa elettrica, collegandovi una lampada o apparecchio simile. Verificare se la presa è collegata a un interruttore dell'impianto di illuminazione e la corrente viene interrotta quando si spegne la luce. Spostare il caricabatterie e l'apparecchio in un luogo con una temperatura atmosferica superiore a 4,5 °C o inferiore a 40,5 °C.

Manutenzione

Questo apparecchio senza filo BLACK+DECKER è stato progettato per funzionare a lungo con una manutenzione minima. Prestazioni sempre soddisfacenti dipendono da una cura appropriata e da una pulizia regolare.

Avvertenza! Prima di qualsiasi operazione di manutenzione sugli apparecchi senza cavo:

- ◆ Scaricare completamente la batteria, se integrata, quindi spegnere l'apparecchio.
- ◆ Scollegare il caricabatterie dalla spina prima di pulirlo. Il caricabatterie non richiede alcuna manutenzione, salvo che una pulizia regolare.
- ◆ Pulire regolarmente le prese di ventilazione dell'apparecchio/del caricabatterie con un pennello morbido o con un panno asciutto.
- ◆ Pulire regolarmente il vano del motore con un panno umido. Non usare materiali abrasivi o detergenti a base di solventi.

Sostituzione dei filtri

I filtri devono essere sostituiti ogni 6 - 9 mesi e quando sono usurati o danneggiati. I filtri di ricambio sono reperibili presso il proprio rivenditore BLACK+DECKER.

- ◆ Rimuovere i vecchi filtri come descritto sopra.
- ◆ Inserire i nuovi filtri come descritto sopra.

Tutela ambientale



Raccolta differenziata. I prodotti e le batterie contrassegnati con questo simbolo non devono essere smaltiti con i rifiuti domestici normali.

Prodotti e batterie contengono materiali che possono essere recuperati o riciclati, riducendo la domanda di materie prime. Riciclare i prodotti elettrici e le batterie attenendosi alle disposizioni locali vigenti. Ulteriori informazioni sono disponibili all'indirizzo www.2helpU.com.

Dati tecnici

	BHFEA18	BHFEA18D
Tensione	18 V	18 V
Wattore	36 Wh (pacco batteria da 18V 2,0 Ah)	36 Wh (pacco batteria da 18V 2,0 Ah)
Tempi di carica approssimativi	5 ore	5 ore
Peso	2,4 kg unità nuda - 2,8 kg con batteria	2,4 kg unità nuda - 2,8 kg con batteria

Caricabatterie		S010**2400040/ SSC-250040**	S018***1800100/ SSC-200100**
Tensione in ingresso	V_{CA}	100 - 240	220 - 240
Tensione in uscita	V_{CC}	8 - 20	8 - 20
Corrente	mA	400	1000
Tempo di carica approssimativo	Ore	3 - 5	1 - 5

Batteria		BL1518	BL2018	BL4018
Tensione	V_{CA}	18	18	18
Capacità	Ah	1,5	2,0	4,0
Tipo		Li-Ion	Li-Ion	Li-Ion

Garanzia

Black & Decker è certa della qualità dei propri prodotti e offre ai consumatori una garanzia di 24 mesi dalla data di acquisto. Il presente certificato di garanzia è complementare ai diritti legali e non li pregiudica in alcun modo. La garanzia è valida nei territori degli stati membri dell'Unione Europea e dell'EFTA (Associazione europea di libero scambio). Per attivare la garanzia, il reclamo deve essere effettuato in accordo con i Termini e Condizioni Black&Decker e sarà necessario presentare la prova di acquisto al venditore o all'agente di riparazione autorizzato. I Termini e condizioni della garanzia Black&Decker di 2 anni e la sede del tecnico riparatore autorizzato più vicino sono consultabili su Internet all'indirizzo www.2helpU.com, o contattando l'ufficio Black&Decker di zona all'indirizzo postale indicato in questo manuale.

Visitare il nostro sito www.blackanddecker.it per registrare il prodotto Black&Decker appena acquistato e ricevere gli aggiornamenti su nuovi prodotti e offerte speciali.

Bedoeld gebruik

Uw BLACK+DECKER snoerloze handstofzuiger van het type BHFEA18, BHFEA18D1 is ontworpen voor stofzuigen en schoonmaken. Het apparaat is uitsluitend bedoeld voor huishoudelijk gebruik.



Lees deze handleiding aandachtig geheel door voordat u het apparaat in gebruik neemt.

Veiligheidsinstructies



Waarschuwing! Lees alle veiligheidswaarschuwingen en alle instructies. Wanneer de volgende waarschuwingen en voorschriften niet in acht worden genomen, kan dit een elektrische schok, brand of ernstig letsel tot gevolg hebben.

- Het bedoeld gebruik wordt beschreven in deze handleiding. Het gebruik van accessoires of hulpstukken of de uitvoering van handelingen anders dan in deze gebruikershandleiding worden aanbevolen, kan een risico van persoonlijk letsel geven.
- Bewaar deze handleiding zodat u deze nog eens kunt raadplegen.

Het apparaat gebruiken

- Gebruik het apparaat niet voor het opzuigen van vloeistoffen of materialen die vlam kunnen vatten.
- Gebruik het apparaat niet zonder dat stofzak en/of filters zijn geplaatst.
- Gebruik het apparaat niet in de buurt van water.
- Dompel het apparaat niet onder in water.

- ◆ Trek nooit aan het snoer wanneer u de stekker van de lader uit het stopcontact wilt halen. Houd de lader uit de buurt van warmtebronnen, olie en scherpe randen.
- ◆ Dit apparaat mag worden gebruikt door kinderen van 8 jaar en ouder en personen die lichamelijk of geestelijk minder valide zijn of die geen ervaring met of kennis van dit apparaat hebben, mits zij onder toezicht staan of instructies krijgen voor een veilige manier van gebruiken van het apparaat en inzicht hebben in de mogelijke gevaren. Kinderen mogen niet met het apparaat spelen. Laat kinderen nooit zonder toezicht het gereedschap schoonmaken of onderhouden.

Inspectie en reparaties

Controleer het apparaat vóór gebruik op beschadigde en defecte onderdelen. Controleer het apparaat op gebroken onderdelen, schade aan de schakelaars en andere omstandigheden die de werking ervan kunnen beïnvloeden.

- ◆ Gebruik het apparaat niet als een of meer onderdelen beschadigd of defect is.
- ◆ Laat beschadigde of defecte onderdelen door een geautoriseerd servicecentrum repareren of vervangen.
- ◆ Controleer het snoer van de lader regelmatig op beschadigingen.

Vervang de lader als het snoer beschadigd of defect is.

- ◆ Probeer nooit andere onderdelen te verwijderen of te vervangen dan de onderdelen die in deze handleiding worden genoemd.

Aanvullende Veiligheidsinstructies

Na gebruik

- ◆ Trek de stekker van de lader uit het stopcontact voordat u de lader en het laadstation schoonmaakt.
- ◆ Berg het apparaat wanneer u het niet gebruikt, op een droge plaats op.
- ◆ Berg apparaten buiten het bereik van kinderen op.

Overige risico's

Er kunnen zich bij het gebruik van dit gereedschap nog meer risico's voordoen, die mogelijk niet in de bijgesloten veiligheidswaarschuwingen worden beschreven. Deze risico's kunnen zich voordoen door onoordeelkundig gebruik, langdurig gebruik, enz.

Zelfs wanneer de veiligheidsvoorschriften in acht worden genomen en de veiligheidsvoorzieningen worden gebruikt, kunnen bepaalde risico's niet worden uitgesloten. Dit zijn onder meer:

- ◆ Verwondingen die worden veroorzaakt door het aanraken van draaiende of bewegende onderdelen.
- ◆ Verwondingen die worden veroorzaakt bij het vervangen van onderdelen, messen of accessoires.

- ◆ Verwondingen die worden veroorzaakt door langdurig gebruik van gereedschap. Wanneer u langere periodes met gereedschap werkt, kunt u het beste regelmatig een pauze nemen.
- ◆ Gehoorbeschadiging.
- ◆ Gezondheidsrisico's door het inademen van stof dat vrijkomt tijdens het gebruik van uw gereedschap (bijvoorbeeld: het werken met hout, met name eiken, beuken en MDF).
- ◆ Laad de accu's alleen op bij een omgevingstemperatuur tussen 10 °C en 40 °C.
- ◆ Gebruik alleen de lader die bij het gereedschap/apparaat is geleverd. Het gebruik van de verkeerde lader kan een elektrische schok of oververhitting van de accu tot gevolg hebben.
- ◆ Gooi lege accu's weg volgens de instructies in het gedeelte "Het milieu beschermen".
- ◆ Beschadig/vervorm de accu niet, bijv. door er gaten in te boren of erop te slaan, aangezien dit kan leiden tot letsel en brand.

Accu's en laders

Accu's (kunnen apart worden aangeschaft)

- ◆ Oplaadbare batterijen kunnen niet worden opgeladen terwijl zij in het apparaat zitten.
- ◆ Let bij het plaatsen van de batterijen op de juiste polariteit.
- ◆ Lege batterijen moeten uit het apparaat worden genomen en veilig als afval worden verwerkt.
- ◆ Als het apparaat wordt opgeborgen en lange tijd niet zal worden gebruikt, is het beter de batterijen eruit te nemen.
- ◆ De aansluitpunten voor de stroomvoorziening mogen niet kortgesloten worden.
- ◆ Probeer nooit om welke reden dan ook batterijen open te maken.
- ◆ Stel de accu niet bloot aan water.
- ◆ Stel de accu niet bloot aan hitte.
- ◆ Bewaar de accu niet op locaties waar de temperatuur kan stijgen tot boven 40 °C.
- ◆ Laad beschadigde accu's niet op.
- ◆ Onder extreme omstandigheden kunnen accu's gaan lekken. Wanneer u merkt dat de accu nat of vochtig is, veeg de vloeistof dan voorzichtig af met een doek. Vermijd huidcontact.
- ◆ Volg bij contact met huid of ogen onderstaande instructies op.

Waarschuwing! De accuvloeistof kan lichamelijk letsel en materiële schade veroorzaken.

Bij huidcontact moet u de vloeistof direct afspoelen met water. Raadpleeg uw huisarts als er rode vlekken ontstaan of bij een pijnlijke of geïrriteerde huid. Bij oogcontact moet u de vloeistof direct uitspoelen met water en uw huisarts raadplegen.

Laders (kunnen apart worden aangeschaft)

De lader is ontworpen voor een bepaalde spanning. Controleer altijd dat de netspanning overeenkomt met de waarde op het typeplaatje en de informatie in de tabel met technische gegevens.

Waarschuwing! Probeer nooit de lader te voorzien van een normale netstekker.

- ◆ Gebruik de lader van BLACK+DECKER alleen voor de accu's in het apparaat/gereedschap waarbij de lader is geleverd. Andere batterijen kunnen openbarsten, met persoonlijk letsel en materiële schade tot gevolg.
- ◆ Niet-oplaadbare accu's mogen nooit worden opgeladen.
- ◆ Als het netsnoer is beschadigd, moet het door de fabrikant of door een geautoriseerd BLACK+DECKER-servicecentrum worden vervangen, zodat gevaarlijke situaties worden voorkomen.
- ◆ Stel de lader niet bloot aan water.
- ◆ Maak de lader niet open.
- ◆ Steek niet met een scherp voorwerp in de lader.
- ◆ Het apparaat/het gereedschap/de accu moet tijdens het laden in een goed geventileerde ruimte worden geplaatst.

Elektrische veiligheid

Symbolen op de lader



Lees deze handleiding zorgvuldig door voordat u het apparaat in gebruik neemt.



Dit gereedschap is dubbel geïsoleerd. Een aardeaansluiting is daarom niet nodig.

Controleer altijd dat de stroomvoorziening overeenkomt met de voltage op het typeplaatje.



Het laadstation is uitsluitend bestemd voor gebruik binnenshuis.

Labels op het apparaat

Naast de datumcode worden op het apparaat de volgende pictogrammen vermeld



Lees deze handleiding zorgvuldig door voordat u het apparaat in gebruik neemt

Functies

Dit gereedschap is voorzien van enkele of alle van de volgende functies.

1. Aan/uit-knop
2. Laadpoort
3. Laadniveau-indicator
4. Vrijgaveknop stofreservoir
5. Doorzichtig stofreservoir
6. Cyclofilter
7. Vrijgaveknop verlengde stang
8. Verlengde stang
9. Vloerkop (met ingebouwde vloersensor)
10. Vrijgaveknop klopborstel
11. Hulpstuk voor moeilijk bereikbare plaatsen
12. Accu
- 12a. Lader
13. Opbergstation

Gebruik

De accu opladen (Afb. A, B)

De standaardlader die wordt geleverd, laadt een volledig lege accu op in ongeveer 5 uur

- ◆ Steek de lader (12a) in een geschikt stopcontact voordat u de accu (12) plaatst.
- ◆ Plaats de accu (12) in de lader (12a), zoals wordt getoond in afbeelding A.
- ◆ Het groene oplaadlampje (12b) gaat knipperen ten teken dat de accu wordt opgeladen.
- ◆ Wanneer de accu geheel is opgeladen, blijft het groene lampje (12b) ononderbroken branden. De accu is volledig opgeladen en kan worden gebruikt of in de lader blijven zitten.

Opmerking: Laad accu's die leeg zijn zo spoedig mogelijk na gebruik op, omdat anders de levensduur van de accu mogelijk ernstig wordt bekort.

Opmerking: U kunt de accu voor onbepaalde tijd in de lader laten zitten en de groene LED blijft branden. De lader houdt de accu volledig opgeladen.

Belangrijke opmerkingen over laden

- ◆ De accu gaat het langst mee en presteert het best wanneer u oplaadt bij een luchttemperatuur tussen 18°-24°C. Laad de accu NIET OP bij een luchttemperatuur lager dan +4,5 °C of hoger dan +40,5 °C. Dit is belangrijk en zal ernstige beschadiging van de accu voorkomen.
- ◆ De lader en de accu's zullen tijdens het laden bij aanraking misschien warm aanvoelen. Dit is normaal en wijst niet op een probleem. Plaats de accu en de lader na gebruik niet in een warme omgeving, zoals een metalen schuur of een niet-geïsoleerde aanhangwagen, laat ze op een koele plaats afkoelen.
- ◆ Als de accu niet goed oplaadt:
 - ◆ Controleer de spanning door een lamp of ander apparaat op het stopcontact aan te sluiten.
 - ◆ Controleer of het stopcontact wordt onderbroken door een schakelaar, die het licht uitschakelt en het stopcontact stroomloos maakt.
 - ◆ Breng de lader en de accu naar een ruimte waar de luchttemperatuur tussen 18° en 24 °C ligt.
 - ◆ Houd het probleem met het laden aan, breng dan het apparaat, de accu en de lader naar het servicecentrum bij u in de buurt.
- ◆ De accu moet worden opgeladen wanneer de accu niet voldoende vermogen levert voor werkzaamheden die eerder zonder veel moeite werden uitgevoerd. WERK NIET LANGER MET HET GEREEDSCHAP onder deze omstandigheden. Volg de procedure voor het laden. U kunt ook een gedeeltelijk lege accu opladen, wanneer u dat maar wilt, zonder dat dat negatieve gevolgen heeft voor de accu.
- ◆ Bepaalde materialen die geleidend zijn, zoals, maar niet uitsluitend, staalwol, aluminiumfolie of een opeenhoping van metaalachtige deeltjes, kunnen beter bij de uitsparingen van de lader worden weggehouden. Trek altijd de stekker uit het stopcontact wanneer er geen accu in de uitsparing van de lader zit. Trek de stekker van de lader uit het stopcontact voordat u de lader gaat reinigen.
- ◆ Laat de lader niet bevriezen en dompel de lader niet onder in water of andere vloeistoffen.

Waarschuwing! Laat geen vloeistof in de lader dringen.

Probeer

nooit om welke reden dan ook de accu te open te maken.

Als de kunststof behuizing van de accu breekt of scheurt, breng de accu dan naar het servicecentrum waar deze kan worden gerecycled.

Laadniveau-indicator (Afb. C)

Dit apparaat is voorzien van een laadniveau-indicator (3) die bestaat uit drie LED-lampjes die het aangeven hoeveel lading de accu nog heeft.

Deze functie wordt alleen geactiveerd wanneer de stofzuiger wordt ingeschakeld en wanneer de stofzuiger wordt opgeladen.

De laadniveau-indicator geeft de resterende hoeveel lading van de accu bij benadering weer.

levels of charge remaining in the battery pack.

De LED's van de laadniveau-indicator geven de resterende lading aan en waarschuwen u wanneer de accu leeg raakt. and warns you when the battery is low.

De eind-LED blijft knipperen wanneer u de stofzuiger nog maar heel kort kunt gebruiken.

Opmerking: De laadniveau-indicator geeft de resterende hoeveel lading van de accu bij benadering weer. of the charge left on the battery.

De indicator geeft geen aanwijzingen over de functionaliteit van het gereedschap en is onderhevig aan schommelingen afhankelijk van productcomponenten, temperatuur en de toepassing door de eindgebruiker.

De accu plaatsen en verwijderen (Afb. D, E)

Waarschuwing! Schakel de stofzuiger vooral uit voordat u de accu uitneemt of plaatst. removing or installing battery.

De accu plaatsen

- ◆ Plaats de accu (12) in de stofzuiger (12c) en duw tot u een klik hoort (Afbeelding D). Controleer dat de accu goed op z'n plaats zit en geheel is vergrendeld.

De accu uitnemen

- ◆ Druk op de accu-ontgrendelknop (12d), zoals wordt getoond in Afbeelding E, en trek de accu uit de stofzuiger.

Montage (Afb. F)

- ◆ Houd de bovenzijde van het verlengstuk (8) van de stang tegenover de opening (7a) van de stofzuiger, zoals wordt getoond in Afb. F.
- ◆ Duw het verlengstuk (8) van de stang op de opening (7a) van de stofzuiger, zodat het op z'n plaats wordt vergrendeld.
- ◆ U kunt een verlengstuk verwijderen door op de vrijgaveknop (7) van het verlengstuk te drukken en het verlengstuk voorzichtig uit de slang te trekken.

Waarschuwing! Plaats het apparaat, wanneer het niet in gebruik is, met de achterzijde naar de wand, zodat, wanneer het apparaat valt, het de wand raakt en niet mensen of huisdieren.

Gebruik

U kunt de stofzuiger op twee manieren gebruiken.

- ◆ Met het verlengstuk (8) van de stang en de vloerkop (9).
- ◆ Met het hulpstuk (11) voor moeilijk bereikbare plaatsen.

Accessoires monteren (Afb G)

- ◆ Met het kierenhulpstuk (11) kunt u stofzuigen op smalle en moeilijk bereikbare plaatsen.
- ◆ U kunt het kierenhulpstuk (11) bevestigen door het hulpstuk in de ingang (7a) van de stofzuiger te drukken zodat het op z'n plaats wordt vergrendeld, zoals is afbeelding G wordt getoond.
- ◆ U kunt het kierenhulpstuk (11) losmaken door op de vrijgaveknop (11a) te drukken en voorzichtig het hulpstuk los te trekken.

In- en uitschakelen (ON en OFF) (Afb. H)

- ◆ Schakel het apparaat in door op de Aan/Uit-schakelaar (1) te duwen.
- ◆ U schakelt over op meer vermogen door nogmaals op de knop (1) On/Off te duwen.
- ◆ U schakelt het apparaat uit door voor de derde maal op de Aan/uit-schakelaar (1) te duwen.

Opmerking: De lampjes van de laadniveau-indicator (3) branden zolang de stofzuiger AAN staat.

- ◆ Schakel het apparaat uit (OFF) door de aan/uit-schakelaar (1) in de stand "O" te schuiven.
- ◆ Laad de accu (12) na gebruik weer op de lader zodat deze opgeladen en klaar voor gebruik is wanneer u het de volgende keer nodig hebt.

Vloersensor

De Vloersensor is actief in de langzame snelheid. Wanneer een tapijt wordt waargenomen, schakelt het apparaat automatisch over op de hoge snelheid. Wanneer een harde vloer wordt waargenomen, schakelt het apparaat automatisch terug naar de lage snelheid.

De stofzuiger reinigen en leegmaken

Waarschuwing! Gevaar voor rondslingerende voorwerpen/inademing van stof: Gebruik de stofzuiger nooit zonder het filter.

Waarschuwing! Het filter kan opnieuw worden gebruikt, verwar het niet met de stofzakken voor eenmalig gebruik, en gooi het filter niet weg wanneer u het product leegmaakt. Wij adviseren u het filter, afhankelijk van de gebruiksfrequentie, om de 6 tot 9 maanden te vervangen.

Het stofreservoir leegmaken (Afb. I, J, K, L)

- ◆ Duw op de vrijgaveknop (4) van het stofreservoir en neem het reservoir (5) los van de stofzuiger.
- ◆ Pak met uw wijsvinger en duim de tabs van de filterbehuizing vast en trek de filterbehuizing (6) uit het stofreservoir, zoals wordt getoond in afbeelding I.
- ◆ Plaats het stofreservoir boven een afvalcontainer en schud het leeg, zoals in afbeelding H wordt getoond.
- ◆ Haal het schuimfilter (6a) uit de filterbehuizing, zoals wordt getoond in afbeelding K.

- ◆ Schud of borstel voorzichtig eventueel los stof van het schuimfilter (6a) en het filter (6).
- ◆ Spoel het stofreservoir (5) uit in een warm sopje.
- ◆ Was de filters in een warm sopje.
- ◆ Zet de filters pas weer terug in de filterbehuizing wanneer u hebt gecontroleerd dat ze volledig droog zijn.
- ◆ Plaats het schone en droge schuimfilter (6a) in de filterbehuizing (6).
- ◆ Plaats de filterbehuizing terug in het stofreservoir (5).
- ◆ Plaats het stofreservoir op de stofzuiger, en zorg ervoor dat de het reservoir stevig op z'n plaats "klikt".

De klopborstels uitnemen en schoonmaken (Afb. M, N)

Waarschuwing! Beperk het risico van letsel door draaiende onderdelen, voer pas reinigings- of onderhoudswerkzaamheden uit wanneer u de vloerkop en het verlengstuk van de stang hebt losgemaakt van de stofzuiger.

- ◆ U kunt de klopborstel (9b) van de vloerkop (9) door de vrijgaveknop (9a) van de klopborstel naar de achterzijde van het apparaat te schuiven.
- ◆ U kunt de klopborstel (9b) nu lostrekken en schoonmaken.

Veilig opbergen (Afb. O)

Wanneer u het apparaat niet gebruikt, kunt u het veilig opbergen door de haak op de motor-unit op de opbergstation (13) te plaatsen, zoals wordt getoond in afbeelding O.

Problemen oplossen

Probleem	Mogelijke oorzaak	Mogelijke oplossing
Toestel start niet.	De accu is niet goed geplaatst. Accu is niet opgeladen.	Controleer de manier waarop de accu is geplaatst. Controleer wat nodig is voor het laden van de accu

Probleem	Mogelijke oorzaak	Mogelijke oplossing
De accu laadt niet op.	De accu is niet in de lader geplaatst. De stekker van de lader zit niet in het stopcontact. De omgevingstemperatuur is te hoog of te laag.	Plaats de accu in de lader en wacht tot het LED-lampje gaat branden. Steek de stekker van de lader in een stopcontact waar stroom op staat. Raadpleeg "Belangrijke opmerkingen over laden" voor meer informatie. Controleer de spanning door een lamp of ander apparaat op het stopcontact aan te sluiten. Controleer of het stopcontact wordt onderbroken door een schakelaar, die het licht uitschakelt en het stopcontact stroomloos maakt. Verplaats de lader en het apparaat naar een ruimte waar de luchttemperatuur hoger is dan 4,5°C en lager is dan +40,5°C.

Onderhoud

Uw snoerloze BLACK+DECKER-apparaat is ontworpen om gedurende lange tijd te functioneren met een minimum aan onderhoud. Het continu naar tevredenheid functioneren hangt af van de juiste zorg voor het gereedschap en regelmatig schoonmaken.

Waarschuwing! Ga altijd als volgt te werk voor u onderhouds- of reinigingswerkzaamheden aan het snoerloze apparaat uitvoert:

- ◆ Put de accu, als deze is ingebouwd, geheel uit. Schakel dan het apparaat uit.
- ◆ Trek de stekker van de lader uit het stopcontact voordat u de lader schoonmaakt. Behalve regelmatig reiniging vraagt de lader geen onderhoud.
- ◆ Reinig regelmatig de ventilatieopeningen van het apparaat/de lader met een zachte borstel of droge doek.
- ◆ Reinig de behuizing van de motor regelmatig met een vochtige doek. Gebruik niet een schurend schoonmaakmiddel of een schoonmaakmiddel op basis van een oplosmiddel.

De filters vervangen

De filters moeten om de 6 tot 9 maanden worden vervangen of wanneer ze maar versleten of beschadigd zijn.

Reservefilters zijn verkrijgbaar bij de BLACK + DECKER-leverancier.

- ◆ Verwijder de oude filters op de hiervoor beschreven wijze.
- ◆ Plaats de nieuwe filters op de hiervoor beschreven wijze.

Het milieu beschermen



Gescheiden afvalinzameling. Producten en accu's waarop dit symbool is aangebracht, mogen niet bij het normale huishoudafval worden weggegooid.

Producten en accu's bevatten materialen die kunnen worden teruggewonnen of gerecycled en dat doet de vraag naar grondstoffen afnemen.

Recycle elektrische producten en accu's volgens de ter plaatse geldende bepalingen. Nadere informatie is beschikbaar op www.2helpU.com

Technische gegevens

	BHFEA18	BHFEA18D
Spanning	18v	18v
Watt Uur	36wh (18v accu, 2,0ah)	36wh (18v accu, 2,0ah)
Oplaadtijd ongev.	5 uur	5 uur
Gewicht	2,4kg kale unit - 2,8kg met accu	2,4kg kale unit - 2,8kg met accu

Lader		S010**2400040/ SSC-250040**	S018***1800100/ SSC-200100**
Ingangsspanning	V _{AC}	100 - 240	220 - 240
Uitgangsspanning	V _{DC}	8 - 20	8 - 20
Laadstroom	mA	400	1000
Laadtijd ongev.	Uur	3 - 5	1 - 5

Accu		BL1518	BL2018	BL4018
Spanning	V _{AC}	18	18	18
Capaciteit	Ah	1.5	2.0	4.0
Type		Li-Ion	Li-Ion	Li-Ion

Garantie

Black & Decker heeft vertrouwen in zijn producten en biedt consumenten een garantie van 24 maanden vanaf de aankoopdatum. Deze garantie vormt een aanvulling op uw wettelijke rechten en beperken deze niet. De garantie is geldig op het grondgebied van de Lidstaten van de Europese Unie en de Europese Vrijhandelszone.

Voor een garantie-aanspraak moet uw aanspraak in overeenstemming zijn met de Voorwaarden en Condities van Black&Decker en moet u een bewijs van aankoop overleggen aan de verkoper of aan een geautoriseerde reparatiemonteur. Voorwaarden en condities van de 2-jarige garantie van Black&Decker en het adres van de vestiging van het geautoriseerde reparatiecentrum bij u in de buurt, kunt u vinden op internet op www.2helpU.com, of door contact op te nemen met het Black & Decker-kantoor ter plaatse, op het adres dat in deze handleiding wordt vermeld.

Bezoek onze website www.blackanddecker.nl, waar u uw nieuwe Black & Decker-product kunt registreren en het laatste nieuws vindt over nieuwe producten en speciale aanbiedingen.

Uso previsto

La aspiradora sin cable BHFEA18, BHFEA18D1 de BLACK+DECKER ha sido diseñada para aplicaciones de aspiración. Este aparato ha sido concebido únicamente para uso doméstico.



Lea todo el manual detenidamente antes de utilizar el aparato.

Instrucciones de seguridad



Advertencia Lea todas las advertencias de seguridad y todas las instrucciones. En caso de no atenerse a las siguientes advertencias e instrucciones de seguridad, podría producirse una descarga eléctrica, incendio o lesión grave.

- ◆ En este manual se describe el uso previsto del aparato. La utilización de accesorios o acoplamientos y la realización de operaciones distintas a las recomendadas en este manual de instrucciones con este aparato pueden conllevar el riesgo de lesiones.
- ◆ Conserve este manual para futuras consultas.

Uso del aparato

- ◆ No utilice el aparato para recoger líquidos o materiales inflamables.
- ◆ No utilice el aparato sin la bolsa de polvo y los filtros puestos
- ◆ No utilice el aparato cerca del agua.
- ◆ No sumerja el aparato en agua.
- ◆ No tire del cable para desconectar el cargador de la toma de corriente.

Mantenga el cable del cargador alejado de fuentes de calor, aceites y bordes afilados.

- ◆ Este aparato puede ser usado por niños a partir de 8 años de edad y por personas con capacidades físicas, sensoriales o mentales disminuidas, o que carezcan de experiencia y conocimientos, si están supervisadas o han recibido formación con respecto al uso del aparato de una forma segura y que comprenden los peligros que entraña su uso. Los niños no deben jugar con el aparato. Los niños no deberán realizar las tareas de limpieza y mantenimiento de usuario, salvo que lo hagan bajo supervisión.

Inspecciones y reparaciones

Antes de utilizar el aparato, compruebe que no tenga piezas dañadas ni defectuosas. Compruebe que no haya piezas rotas, que los interruptores no estén dañados y que no existan otros defectos que puedan afectar al funcionamiento del aparato.

- ◆ No utilice el aparato si presenta alguna pieza dañada o defectuosa.
- ◆ Solicite a un agente de servicio técnico autorizado la reparación o sustitución de las piezas dañadas o defectuosas.
- ◆ Compruebe periódicamente que el cable del cargador no haya sufrido daños. Sustituya el cargador si el cable está dañado o es defectuoso.
- ◆ Nunca intente extraer ni sustituir ninguna pieza que no esté especificada en este manual.

Instrucciones de seguridad adicionales

Después de la utilización

- ◆ Desenchufe el cargador antes de limpiarlo o antes de limpiar la base de carga.
- ◆ Cuando no utilice el aparato, debe guardarlo en un lugar seco.
- ◆ Los niños no deben tener acceso a los aparatos guardados.

Riesgos residuales

El uso de esta herramienta puede producir riesgos residuales adicionales no incluidos en las advertencias de seguridad adjuntas. Estos riesgos se pueden generar por un uso incorrecto, demasiado prolongado, etc.

El cumplimiento de las normas de seguridad correspondientes y el uso de dispositivos de seguridad no evitan ciertos riesgos residuales. Dichos riesgos incluyen:

- ◆ Lesiones producidas por el contacto con piezas móviles o giratorias.
- ◆ Lesiones causadas al cambiar piezas, cuchillas o accesorios.
- ◆ Lesiones causadas por el uso prolongado de una herramienta. Si utiliza una herramienta durante períodos de tiempo demasiado prolongados, asegúrese de realizar pausas con frecuencia.
- ◆ Deterioro auditivo.

- ◆ Riesgos para la salud causados por la respiración del polvo generado por el uso de la herramienta (por ejemplo, al trabajar con madera, especialmente roble, haya y tablero semiduro de fibras).

Baterías y cargadores

Baterías (se venden por separado)

- ◆ Las baterías recargables deben retirarse del aparato antes de cargarlo.
- ◆ Las baterías deben insertarse con la polaridad correcta.
- ◆ Las baterías agotadas deben sacarse del aparato antes de cargarlo y deben eliminarse en modo seguro.
- ◆ Si el aparato se guarda porque no se va a usar durante un largo periodo, hay que sacarle las baterías.
- ◆ Los terminales de alimentación no deben estar en cortocircuito.
- ◆ Jamás trate de abrir las baterías por ningún motivo.
- ◆ No exponga la batería al agua.
- ◆ No exponga la batería al calor.
- ◆ No guarde la batería en lugares en los que la temperatura pueda superar los 40 °C.
- ◆ Realice la carga únicamente a una temperatura ambiente de entre 10 °C y 40 °C.
- ◆ Utilice únicamente el cargador suministrado con el aparato o la herramienta para realizar la carga. La utilización de un cargador incorrecto puede producir una descarga eléctrica o el recalentamiento de la batería.

- ◆ Para desechar las baterías, siga las instrucciones facilitadas en la sección “Protección del medioambiente».
- ◆ No dañe ni deforme la batería mediante perforaciones o golpes, pues ello puede causar riesgo de incendio y de lesiones.
- ◆ No cargue baterías dañadas.
- ◆ Es posible que se produzcan fugas en las baterías en condiciones extremas. Cuando observe que se producen fugas en las baterías, limpie cuidadosamente el líquido con un paño. Evite el contacto con la piel.
- ◆ En caso de contacto con la piel o los ojos, siga las instrucciones facilitadas a continuación.

¡Advertencia! El líquido de la batería puede provocar lesiones o daños materiales.

En caso de contacto con la piel, lave la zona afectada con agua inmediatamente. Si se produce enrojecimiento, dolor o irritación, solicite atención médica. En caso de contacto con los ojos, lave la zona inmediatamente con agua limpia y solicite atención médica.

Cargadores (se venden por separado)

El cargador ha sido diseñado para un voltaje específico. Compruebe siempre que el voltaje de la red eléctrica corresponda al indicado en la placa de datos y en la información técnica de la tabla de datos.

¡Advertencia! No intente sustituir el cargador por un enchufe convencional para la red eléctrica.

- ◆ Debe utilizar solo el cargador BLACK+DECKER suministrado con el aparato/herramienta para cargar la batería. Otras baterías podrían explotar y provocar lesiones y daños materiales.
- ◆ Nunca intente cargar baterías no recargables.
- ◆ Si se daña el cable de alimentación, el fabricante o un centro de servicio técnico autorizado de BLACK+DECKER deberán sustituirlo para evitar riesgos.
- ◆ No esponga el cargador al agua.
- ◆ No abra el cargador.
- ◆ No aplique ningún dispositivo para medir la resistencia del cargador.
- ◆ Durante la carga, el aparato, la herramienta o la batería deben colocarse en una zona bien ventilada.

Seguridad eléctrica

Símbolos del cargador



Lea todo el manual detenidamente antes de utilizar el aparato.



Esta herramienta lleva un doble aislamiento; por lo tanto, no requiere una toma de tierra. Compruebe siempre que el voltaje suministrado corresponda al indicado en la placa de características.



La base del cargador está pensada únicamente para utilizarla en espacios interiores.

Etiquetas del aparato

Junto con el código de la fecha, en el aparato aparecen los siguientes símbolos:



Lea todo el manual detenidamente antes de utilizar el aparato.

Características

Esta herramienta incluye parte o la totalidad de estas características.

1. Botón de encendido/apagado
2. Puerto de carga
3. Indicador del estado de la carga
4. Botón de extracción del depósito de polvo
5. Depósito de polvo transparente
6. Conjunto del filtro ciclónico
7. Botón de desbloqueo del tubo de prolongación
8. Tubo de prolongación
9. Cabeza para suelos (con sensor de suelos incorporado)
10. Botón de extracción del sacudidor
11. Boquilla rinconera
12. Batería
- 12a. Cargador
13. Estación de almacenamiento

Uso

Carga de la batería (Figs. A y B)

El cargador estándar proporcionado carga una batería completamente agotada en unas 5 horas

- ◆ Conecte el cargador (12a) en una toma adecuada antes de introducir la batería (12).
- ◆ Introduzca la batería (12) en el cargador (12a), como se muestra en la figura A.
- ◆ El LED indicador de carga verde (12b) parpadeará para indicar que se está cargando la batería.
- ◆ Cuando la luz de LED (12b) verde quede encendida fija, se habrá completado la carga. La batería estará cargada y podrá usarse, o dejarla en el cargador.

Nota: Recargue las baterías descargadas tan pronto como sea posible después del uso; de lo contrario, se reducirá su vida útil.

Nota: El cargador y la batería pueden permanecer conectados durante un periodo de tiempo indefinido con el indicador de LED verde iluminado.

El cargador mantiene la batería a baja temperatura y completamente cargada.

Notas importantes para la carga

- ◆ Se puede conseguir una mayor duración y rendimiento si se carga la batería a una temperatura ambiente comprendida entre 18 °C - 24 °C. NO cargue la batería a una temperatura ambiente inferior a +4.5 °C o superior a +40.5 °C. Esto es importante y prevendrá daños serios a la batería.
- ◆ El cargador y la batería pueden calentarse durante la carga. Esto es normal y no indica ningún problema.

Para facilitar el enfriamiento de la batería después del uso, evite colocar el cargador o la batería en un ambiente cálido, como un cobertizo metálico o un remolque sin aislamiento.

- ◆ Si la batería no se carga correctamente:
 - ◆ Enchufe una lámpara u otro aparato para comprobar la corriente de la toma.
 - ◆ Compruebe si la toma está conectada a un interruptor de luz que corta la energía al apagar las luces.
 - ◆ Desplace el cargador y la batería hacia un lugar donde la temperatura ambiente sea de aproximadamente 18 °C - 24 °C.
 - ◆ Si el problema de carga persiste, lleve la herramienta, la batería y el cargador a su servicio técnico local.
- ◆ La batería debe recargarse cuando no produce energía suficiente para trabajos que antes se efectuaban fácilmente. NO SIGA usándolo en estas condiciones. Siga el procedimiento de carga. También puede cargar la batería parcialmente usada cuando lo desee, sin ningún efecto adverso para la batería.
- ◆ Los materiales conductores extraños como, a título enunciativo pero no limitativo, lana de acero, papel de aluminio o cualquier acumulación de partículas metálicas deben mantenerse alejados de las cavidades del cargador. Desconecte siempre el cargador de la red cuando la batería no esté colocada en su alojamiento. Desconecte el cargador antes de intentar limpiarlo.
- ◆ No lo congele ni lo sumerja en agua u otros líquidos.

¡Advertencia! No permita que ningún líquido penetre en el cargador. No

intente nunca abrir la batería por ningún motivo. Si la carcasa de plástico de la batería se rompe o se agrieta, lleve la batería a un servicio técnico para que la reciclen.

Indicador del estado de la carga (Fig. C)

Este aparato incluye un indicador del estado de carga (3) que consiste en tres luces de LED que indican el nivel de carga restante en la batería. Esta característica se activa solo cuando la aspiradora está encendida y cuando se está cargando. El indicador del estado de carga es una indicación aproximada

del nivel de carga que queda en la batería.

El indicador de LED de la batería muestra la carga restante y avisa cuando la batería está baja.

El LED final parpadea en modo continuo cuando queda solo muy poco tiempo de funcionamiento.

Nota: El indicador del estado de carga es una indicación de la carga que queda en la batería.

No indica ninguna funcionalidad de la herramienta y podrá registrar variaciones en función de los componentes del producto, de la temperatura y de la aplicación del usuario final.

Inserción y extracción de la batería (Fig. D, E)

¡Advertencia! Asegúrese de que la aspiradora esté apagada antes de colocar o sacar la batería.

Colocación de la batería

- ◆ Inserte la batería (12) en la aspiradora (12c) hasta que oiga un clic (Figura D). Compruebe que la batería quede bien colocada y bloqueada en su posición.

Extracción de la batería

- ◆ Presione el botón de liberación de la batería (12d), como se muestra en la figura E, y tire de la batería para extraerla de la aspiradora.

Montaje (Fig. F)

- ◆ Alinee la parte superior del tubo de extensión (8) con la entrada de la aspiradora (7a), como se muestra en la Fig. F.
- ◆ Empuje el tubo de extensión (8) en la entrada de la aspiradora (7a) hasta que encaje en su posición.
- ◆ Para retirar el tubo de extensión, presione el botón de liberación del tubo de extensión (7) y tire suavemente del tubo de extensión.

¡Advertencia! Cuando no esté usando la aspiradora, colóquela con la parte posterior mirando a una pared, de modo que, si se cae, acabe contra la pared, y no contra personas o mascotas.

Uso

Esta aspiradora puede utilizarse en uno de los dos modos.

- ◆ Con el tubo de extensión (8) y la cabeza para suelos (9).
- ◆ Con la boquilla rinconera (11) y la aspiradora.

Montaje de accesorios (Fig. G)

- ◆ La boquilla rinconera (11) permite aspirar en superficies estrechas y de difícil acceso.
- ◆ Para colocar la boquilla rinconera (11), empújela en la entrada de la aspiradora (7a) para bloquearla en su posición, como se muestra en la figura G.
- ◆ Para liberar la boquilla rinconera (11), presione el botón de liberación de la boquilla rinconera (11a) y tire suavemente de la boquilla rinconera.

Encendido y apagado (Fig. H)

- ◆ Para encender, pulse el botón de encendido/apagado (1).
- ◆ Para aumentar la potencia, pulse nuevamente el botón de encendido/apagado (1).
- ◆ Pulse el botón de encendido/apagado (1) por tercera vez para apagar la unidad.

Nota: Los LEDs indicadores del estado de carga (3) se iluminan cuando la aspiradora está encendida.

- ◆ Para apagar, deslice el interruptor de encendido/apagado (1) hacia la posición "O".

- ◆ Recargue la batería (12) inmediatamente después del uso, para que esté lista y completamente cargada para el siguiente uso.

Floorsense

Floorsense se activa a baja velocidad. Cuando la unidad detecta una alfombra, el rendimiento aumenta automáticamente a la alta velocidad. Cuando la unidad detecta un suelo duro, el rendimiento se reduce automáticamente a la baja velocidad.

Limpieza y vaciado de la aspiradora

¡Advertencia! Peligro de proyección/respiratorio: No utilice nunca la aspiradora sin filtro.

¡Advertencia! El filtro es reutilizable y no debe confundirse con la bolsa de polvo desechable, ni debe tirarse cuando el producto se vacíe. Recomendamos sustituir el filtro cada 6-9 meses, según la frecuencia de uso.

Para vaciar el depósito de polvo (Fig. I, J, K, L)

- ◆ Pulse el botón de extracción del depósito de polvo (4), suéltelo y extraiga el depósito de polvo (5) de la aspiradora.
- ◆ Con el dedo índice y el pulgar apriete las lengüetas del alojamiento del filtro y extraiga el alojamiento del filtro (6) del depósito de polvo como se muestra en la Fig. I.
- ◆ Coloque el depósito de polvo sobre un bote de residuos y vacíelo, como se muestra en la figura J.
- ◆ Saque el filtro de espuma (6a) del alojamiento del filtro como se muestra en la figura K.
- ◆ Sacuda o cepille ligeramente el polvo suelto del filtro de espuma (6a) y el filtro (6).
- ◆ Enjuague el depósito de polvo (5) con agua tibia y jabón.
- ◆ Lave los filtros con agua tibia y jabón.
- ◆ Compruebe que los filtros estén completamente secos antes de volver a colocarlos en la carcasa del filtro.
- ◆ Vuelva a colocar el filtro de espuma limpio y seco (6a) en la carcasa del filtro (6).
- ◆ Vuelva a colocar el filtro en el depósito de polvo (5).
- ◆ Instale el depósito de polvo en la aspiradora hasta que encaje firmemente en su posición.

Extraer y limpiar los sacudidores (Fig. M, N)

¡Advertencia! Para reducir el riesgo de lesiones por piezas móviles, saque el cepillo para suelos y el tubo de extensión de la aspiradora antes de limpiarla o repararla.

- ◆ Para sacar el sacudidor (9b) del cabezal para suelos (9), deslice el botón de liberación del sacudidor (9a) hacia la parte posterior de la unidad.

- ◆ Ahora puede sacar el sacudidor (9b) y limpiarlo.

Almacenamiento seguro (Fig. O)

Cuando no use la unidad, puede guardarla en modo seguro colocando la unidad motriz en la estación de almacenamiento (13), como se muestra en la figura O.

Resolución de problemas

Problema	Causa posible	Solución posible
La unidad no arranca.	La batería no se ha instalado correctamente. La batería no está cargada.	Compruebe la instalación de la batería. Compruebe los requisitos de carga de la batería
La batería no se carga.	No se ha colocado la batería en el cargador. El cargador no está enchufado. La temperatura del aire circundante es demasiado caliente o demasiado fría.	Inserte la batería en el cargador hasta que se encienda el indicador de LED. Enchufe el cargador en una toma de corriente que funcione. Puede obtener más información en "Notas importantes para la carga". Enchufe una lámpara u otro aparato para comprobar la corriente de la toma. Compruebe si la toma de corriente está conectada a un interruptor de luz que interrumpa la corriente cuando se apagan las luces. Desplace el cargador y la herramienta hacia un lugar con temperatura ambiente superior a 4,5 °C o inferior a +40,5 °C.

Mantenimiento

Este aparato sin cable de BLACK+DECKER ha sido diseñado para funcionar durante un largo período de tiempo con un mantenimiento mínimo. El funcionamiento satisfactorio y continuo depende del buen cuidado de la herramienta y de una limpieza frecuente.

¡Advertencia! Antes de realizar el mantenimiento de aparatos sin cables:

- ◆ Deje que la batería se agote por completo si es integral y, a continuación, apague el aparato.
- ◆ Desenchufe el cargador antes de limpiarlo. El cargador no requiere ningún mantenimiento especial excepto la limpieza periódica.
- ◆ Limpie periódicamente las ranuras de ventilación de la herramienta o el cargador con un cepillo suave o un paño seco.
- ◆ Limpie periódicamente la carcasa del motor con un paño húmedo.

No utilice limpiadores abrasivos o a base de disolventes.

Sustitución de los filtros

Es necesario cambiar los filtros cada 6 o 9 meses y cuando se gasten o se dañen. Encontrará filtros de repuesto en el distribuidor BLACK+DECKER.

- ◆ Extraiga los filtros viejos como se ha descrito anteriormente.
- ◆ Coloque los filtros nuevos como se ha descrito anteriormente.

Protección del medioambiente



Recogida selectiva. Los productos y las baterías marcadas con este símbolo no se deben eliminar con los residuos domésticos normales.

Los productos y las baterías que contienen materiales que se puedan recuperar o reciclar reducen la demanda de materias primas.

Recicle los productos eléctricos y las baterías de conformidad con la normativa local. Puede obtener más información en www.2helpU.com

Datos técnicos

	BHFEA18	BHFEA18D
Tensión	18v	18v
Vatios-hora	36 wh (batería de 18 v y 2.0 ah)	36 wh (batería de 18 v y 2.0 ah)
Tiempo de carga aprox.	5 horas	5 horas
Peso	2.4 kg solo unidad - 2.8 kg con batería	2.4 kg solo unidad - 2.8 kg con batería

Cargador		S010**2400040/ SSC-250040**	S018***1800100/ SSC-200100**
Voltaje de entrada	V _{CA}	100 - 240	220 - 240
Voltaje de salida	V _{CC}	8 - 20	8 - 20
Corriente	mA	400	1000
Tiempo de carga aproximado	Horas	3 - 5	1 - 5

Batería		BL1518	BL2018	BL4018
Tensión	V _{CA}	18	18	18
Capacidad	Ah	1,5	2,0	4,0
Tipo		lones de litio	lones de litio	lones de litio

Garantía

Black & Decker confía en la calidad de sus productos y ofrece a los consumidores una garantía de 24 meses a partir de la fecha de compra. Esta garantía es adicional a sus derechos legales y no los menoscaba en modo alguno.

La garantía es válida dentro de los territorios de los Estados Miembros de la Unión Europea y del Área de Libre Comercio Europea.

Para reclamar la garantía, la reclamación se debe presentar de conformidad con las condiciones de Black & Decker. Tendrá que adjuntar un justificante de compra al vendedor o al agente técnico autorizado. Las condiciones de la garantía de 2 años de Black & Decker y la ubicación de su agente técnico autorizado más cercano se pueden obtener en Internet en www.2helpU.com o poniéndose en contacto con su oficina local de Black & Decker en la dirección que se indica en este manual.

Visite nuestro sitio web www.blackanddecker.co.uk para registrar su nuevo producto Black & Decker y recibir noticias sobre nuevos productos y ofertas especiales.

Utilização prevista

O aspirador sem fio BHFEA18, BHFEA18D1 da BLACK+DECKER foi concebido para limpeza a vácuo. Este equipamento destina-se apenas a utilização doméstica.



Leia com atenção todo o manual antes de utilizar o equipamento.

Instruções de segurança



Atenção! Leia todos os avisos de segurança e todas as instruções. O não cumprimento dos seguintes avisos e instruções pode resultar em choque eléctrico, incêndio e/ou ferimentos graves.

- ◆ A utilização prevista está descrita neste manual. A utilização de qualquer acessório ou a execução de qualquer operação com este equipamento que não esteja incluída no presente manual de instruções pode representar um risco de ferimentos pessoais.

- ◆ Guarde este manual para referência futura.

Utilizar o equipamento

- ◆ Não utilize este equipamento para aspirar líquidos ou quaisquer materiais combustíveis.
- ◆ Não utilize o equipamento sem o saco de poeira e/ou os filtros instalados
- ◆ Não utilize este equipamento perto de água.
- ◆ Não mergulhe o equipamento dentro de água.
- ◆ Nunca puxe pelo cabo do carregador para desligar o carregador da tomada. Mantenha o cabo do carregador afastado do calor, combustíveis e extremidades afiadas.
- ◆ Este equipamento pode ser utilizado por crianças com 8 anos ou mais de idade e por pessoas que apresentem capacidades físicas, sensoriais ou mentais reduzidas ou que não possuam os conhecimentos e a experiência necessários, se forem vigiadas e instruídas acerca da utilização do equipamento de uma forma segura e compreenderem os perigos envolvidos. As crianças não devem mexer no equipamento. A limpeza e manutenção não devem ser efectuadas por crianças sem supervisão.

Inspeção e reparações

Antes da utilização, verifique a existência de peças danificadas ou avariadas no equipamento.

Verifique se há peças partidas, danos nos interruptores ou outro tipo de situações que possam afectar o funcionamento.

- ◆ Não utilize este equipamento se alguma das peças estiver danificada ou avariada.
- ◆ Mandar reparar ou substituir quaisquer peças danificadas ou avariadas por um técnico de reparação autorizado.
- ◆ Verifique regularmente se existem danos no cabo do carregador. Substitua o carregador se o cabo estiver danificado ou com defeitos.
- ◆ Nunca retire ou substitua quaisquer peças que não sejam as especificadas neste manual.

Instruções de segurança adicionais

Após a utilização

- ◆ Desligue o carregador ou a base de carga antes de os limpar.
- ◆ Quando não estiver a ser utilizado, o equipamento deve ser guardado num local seco.
- ◆ As crianças não devem ter acesso a equipamentos armazenados.

Riscos residuais

Podem surgir riscos residuais adicionais durante a utilização da ferramenta, que podem não constar nos avisos de segurança incluídos.

Estes riscos podem resultar de má utilização, uso prolongado, etc.

Mesmo com o cumprimento dos regulamentos de segurança relevantes e a implementação de dispositivos de segurança, alguns riscos residuais podem não ser evitados. Estes incluem:

- ◆ Ferimentos causados pelo contacto com peças em rotação/movimento.
- ◆ Ferimentos causados durante a substituição de peças, lâminas ou acessórios.
- ◆ Ferimentos causados pela utilização prolongada de uma ferramenta. Se utilizar uma ferramenta durante períodos prolongados, certifique-se de que faz pausas regularmente.
- ◆ Danos auditivos.
- ◆ Problemas de saúde causados pela inalação de poeiras resultantes da utilização da ferramenta (exemplo: trabalhos em madeira, especialmente carvalho, faia e MDF).

Baterias e carregadores

Baterias (podem ser vendidas em separado)

- ◆ As baterias recarregáveis devem ser retiradas do equipamento antes de serem carregadas.
- ◆ As baterias devem ser inseridas de acordo com a polaridade correcta.
- ◆ As baterias usadas devem ser retiradas do equipamento e eliminadas em segurança.
- ◆ Se for necessário armazenar o equipamento durante um período prolongado, deve retirar as baterias.

- ◆ Os terminais de alimentação não devem ser colocados em curto-circuito.
- ◆ Nunca abra a bateria, seja qual for o motivo.
- ◆ Não exponha a bateria à água.
- ◆ Não exponha a bateria ao calor.
- ◆ Não armazene em locais onde a temperatura possa exceder os 40 °C.
- ◆ Carregue apenas a temperaturas ambiente entre 10 °C e 40 °C.
- ◆ Carregue apenas com o carregador fornecido com o equipamento/ferramenta.

A utilização do carregador errado pode resultar em choque eléctrico ou sobreaquecimento da bateria.

- ◆ Quando eliminar as baterias, siga as instruções da secção “Protecção do ambiente”.
- ◆ Não danifique a bateria por perfuração ou impacto, porque pode causar ferimentos e incêndio.
- ◆ Não carregue baterias danificadas.
- ◆ Em condições extremas, pode ocorrer uma fuga de electrólito nas baterias. Se detectar fuga de electrólito das baterias, limpe o líquido cuidadosamente com um pano. Evite o contacto com a pele.
- ◆ Em caso de contacto com a pele ou com os olhos, siga as instruções seguintes.

Atenção! O electrólito da bateria pode causar ferimentos ou danos materiais. Em caso de contacto com a pele, enxagúe imediatamente com água.

Em caso de vermelhidão, dor ou irritação, contacte um médico. Em caso de contacto com os olhos, enxagúe imediatamente com água limpa e procure ajuda médica.

Carregadores (podem ser vendidos em separado)

O carregador foi concebido para uma tensão específica. Verifique sempre se a tensão de alimentação corresponde à tensão indicada na placa de especificações e as informações indicadas na tabela de dados técnicos.

Atenção! Nunca substitua a unidade do carregador por uma tomada de alimentação normal.

- ◆ Utilize o carregador da BLACK+DECKER apenas para carregar a bateria do equipamento/ferramenta com que foi fornecido. Outras baterias podem rebentar, provocando ferimentos e danos.
- ◆ Nunca carregue baterias não recarregáveis.
- ◆ Se o cabo de alimentação estiver danificado, deve ser substituído pelo fabricante ou por um Centro de Assistência autorizado da BLACK+DECKER, de modo a evitar situações de perigo.
- ◆ Não exponha o carregador à água.
- ◆ Não abra o carregador.
- ◆ Não perfure o carregador.
- ◆ O equipamento/ferramenta/bateria deve ser colocada numa área com boa ventilação durante o carregamento.

Segurança eléctrica

Símbolos no carregador



Leia o manual com atenção e na íntegra antes de utilizar este equipamento.



Esta ferramenta tem isolamento duplo. Por esse motivo, não precisa de ligação à terra. Verifique sempre se a tensão da tomada de electricidade corresponde à tensão indicada na placa com os requisitos de alimentação da ferramenta.



A base de carga destina-se exclusivamente a utilização no interior.

Etiquetas no equipamento

O equipamento apresenta os seguintes símbolos juntamente com o código de data



Leia com atenção e na íntegra o manual antes de utilizar este equipamento

Funcionalidades

Esta ferramenta inclui alguns ou todos os seguintes componentes.

1. Botão para ligar/desligar
2. Entrada de carga
3. Indicador do estado de carga
4. Patilha de libertação do depósito de poeiras
5. Depósito de poeiras transparente
6. Conjunto de filtros ciclónicos
7. Botão de libertação do tubo de extensão
8. Tubo de extensão
9. Escova de aspiração (com detecção de piso integrada)
10. Botão de activação da escova rotativa
11. Bocal
12. Bateria
- 12a. Carregador
13. Base de arrumação

Utilização

Carregar a bateria (Fig. A, B)

O carregador padrão fornecido permite carregar uma bateria totalmente descarregada em cerca de 5 horas

- ◆ Ligue o carregador (12a) numa tomada adequada antes de inserir a bateria (12).
- ◆ Insira a bateria (12) no carregador (12a), como indicado na Figura A.
- ◆ O LED verde (12b) começa a piscar, indicando que a bateria está a ser carregada.
- ◆ A conclusão do processo de carga é indicada pelo LED verde (12b) que permanece aceso de maneira contínua.

A bateria fica totalmente carregada e pode ser utilizada nesta altura ou pode deixá-la no carregador.

Nota: Recarregue as baterias descarregadas assim que possível após a utilização, caso contrário a duração da bateria pode diminuir consideravelmente.

Nota: O carregador e a bateria podem permanecer ligados com o LED verde aceso indefinidamente.

O carregador irá manter a bateria completamente carregada.

Notas importantes sobre carregamento

- ◆ É possível aumentar a duração da bateria e obter o melhor desempenho se esta for carregada a uma temperatura ambiente que se situe entre os 18 ° e 24 °C. NÃO carregue a bateria se a temperatura ambiente for inferior a +4,5 °C ou superior a +40,5 °C. Isto é importante e impede danos graves na bateria.
- ◆ O carregador e a bateria podem ficar quentes durante o carregamento. Isto é normal e não representa um problema. Para facilitar o arrefecimento da bateria, evite colocar o carregador ou a bateria num local quente, como num barracão metálico ou num reboque não isolado.
- ◆ Se a bateria não carregar correctamente:
 - ◆ Verifique a corrente na tomada, ligando uma lâmpada ou outro equipamento.
 - ◆ Verifique se a tomada está ligada a um interruptor de luz que se apaga quando desliga as luzes.
 - ◆ Coloque o carregador e a bateria num local onde a bateria num local onde a temperatura ambiente se situe aproximadamente entre 18 ° e 24 °C.
 - ◆ Se os problemas de carregamento persistirem, leve a ferramenta, a bateria e o carregador para um centro de assistência local.
- ◆ A bateria deve ser recarregada se não fornecer energia suficiente durante trabalhos que tenham sido efectuados facilmente. NÃO CONTINUE a utilizar o equipamento nestas condições. Siga o procedimento de carregamento. Pode também carregar uma bateria parcialmente utilizada sempre que quiser, porque não afecta a bateria.
- ◆ Os materiais estranhos condutores como, por exemplo, mas não limitado a, lâ de aço, folha de alumínio ou qualquer acumulação de partículas metálicas devem ser removidos dos orifícios do carregador. Desligue sempre o carregador da fonte de alimentação quando não estiver inserida uma bateria no respectivo orifício. Desligue o carregador antes de proceder à limpeza.
- ◆ Não congele ou coloque o carregador dentro de água ou de outros líquidos.

Atenção! Não permita a entrada de líquidos no carregador. Nunca

abra a bateria, seja qual for o motivo. Se a estrutura de plástico da bateria partir-se ou rachar, envie o equipamento para um centro de assistência para reciclagem.

Indicador do estado de carga (Fig. C)

Este equipamento inclui um indicador do estado de carga (3) composto por três indicadores luminosos LED que indicam o nível de carga restante na bateria. Esta função é apenas activada quando o aspirador é ligado e quando está a ser carregado.

O indicador do estado de carga é uma indicação dos níveis de carga aproximados restantes na bateria.

O indicador de bateria LED mostra a carga restante e indica-lhe quando o nível da bateria é reduzido.

O LED final pisca de maneira contínua quando a carga restante é muito reduzida.

Nota: O indicador do estado de carga é apenas uma indicação

do nível de carga restante na bateria.

Não indica o funcionamento da ferramenta e está sujeito a variações, com base nos componentes do produto, temperatura e aplicação do utilizador final.

Colocar e remover a bateria (Fig. D, E)

Atenção! Certifique-se de que desliga o aspirador antes de retirar ou colocar a bateria.

Instalar a bateria

- ◆ Insira a bateria (12) no aspirador (12c) até ouvir um som de encaixe (Figura D). Certifique-se de que a bateria está totalmente encaixada na posição.

Retirar a bateria

- ◆ Prima o botão de libertação da bateria (12d), como indicado na Figura E e retire a bateria do aspirador.

Montagem (Fig. F)

- ◆ Alinhe a parte de cima do tubo extensível (8) com a entrada de vácuo (7a), como indicado na Fig. F.
- ◆ Insira o tubo extensível (8) para dentro da entrada de vácuo (7a) para que fique encaixado.
- ◆ Para retirar o tubo extensível, prima o botão de libertação do tubo extensível (7) e puxe o tubo extensível para fora.

Atenção! Quando não utilizar o equipamento, vire a parte traseira do aspirador para a parede para que, na eventualidade de queda inesperada, o aspirador caia na direcção da parede e não de pessoas ou animais de estimação.

Utilização

Este aspirador pode ser utilizado de uma de duas maneiras.

- ◆ Com o tubo extensível (8) e a escova de aspiração (9).
- ◆ Com o bocal (11) e o aspirador.

Montar os acessórios (Fig. G)

- ◆ O bocal (11) permite aspirar em locais estreitos e de difícil acesso.

- ◆ Para fixar o bocal (11), insira-o na entrada de vácuo (7a) para que fique encaixado na respectiva posição, como indicado na Figura G.
- ◆ Para retirar o bocal (11), prima o botão de libertação do bocal (11a) e retire o bocal com cuidado.

Ligar e desligar (Fig. H)

- ◆ Para ligar, pressione o botão para ligar/desligar (1).
- ◆ Para aumentar a potência, pressione o botão para ligar/desligar (1) novamente.
- ◆ Pressione o botão para ligar/desligar (1) uma terceira vez para desligar a unidade.

Nota: Os LED indicadores do estado de carga (3) acendem-se quando o aspirador é ligado.

- ◆ Para desligar, deslize o interruptor para ligar/desligar (1) para a frente para a posição "0".
- ◆ Carregue a bateria (12) de imediato depois de utilizar o equipamento para que esteja pronto e totalmente carregado para a utilização seguinte.

Deteção de piso

A deteção de piso é activada quando a velocidade é reduzida. Quando é detectada uma alcatifá, a velocidade da unidade aumenta automaticamente. Quando é detectado um piso duro, a velocidade da unidade diminui.

Limpar e esvaziar o lixo do aspirador

Atenção! Risco respiratório/projecção de partículas: Nunca utilize o aspirador sem o filtro.

Atenção! O filtro é reutilizável, não o confunda com os sacos de poeira descartáveis e não o deite fora quando a ferramenta for limpa. Recomendamos que substitua o filtro num prazo de 6 a 9 meses, dependendo da frequência de utilização.

Esvaziar o depósito de poeiras (Fig. I, J, K, L)

- ◆ Pressione o botão de libertação do depósito de poeiras (4) para libertar e retirar o depósito de poeiras (5) do aspirador.
- ◆ Aperte as patilhas do compartimento do filtro com o indicador e o polegar e retire o compartimento do filtro (6) do depósito de poeiras, como indicado na Figura I.
- ◆ Coloque o depósito de poeiras por cima de uma lata do lixo e esvazie o depósito de poeiras, como indicado na Figura J.
- ◆ Retire o filtro de espuma (6a) do compartimento do filtro, como indicado na Figura K.
- ◆ Agite ou escova ligeiramente o pó solto do filtro de espuma (6a) e do filtro (6).
- ◆ Enxague o depósito de poeiras (5) com água morna com sabão.
- ◆ Lave os filtros em água morna com sabão.
- ◆ Certifique-se de que os filtros estão totalmente secos antes de voltar a inseri-los no respectivo compartimento.

- ◆ Volte a inserir o filtro de espuma (6a) limpo e seco no compartimento do filtro (6).
- ◆ Insira o compartimento do filtro no depósito de poeiras (5).
- ◆ Insira o depósito de poeiras no aspirador, até encaixar com firmeza no respectivo local.

Remover e limpar a escova rotativa (Fig. M, N)

Atenção! Para reduzir o risco de ferimentos causados pelas peças móveis, desligue a escova de aspiração e o tubo extensível antes da limpeza ou manutenção.

- ◆ Para retirar a escova rotativa (9b) da escova de aspiração (9), deslize o botão de libertação da escova rotativa (9a) para a parte de trás da unidade.
- ◆ A escova rotativa (9b) pode ser removida e limpa.

Armazenamento seguro (Fig. O)

Quando não estiver a ser utilizada, o equipamento pode ser armazenado em segurança, colocando a patilha na parte de trás da unidade do motor na base de arrumação (13), como indicado na Figura O.

Resolução de problemas

Problema	Causa possível	Solução possível
A unidade não é iniciada.	A bateria não foi colocada correctamente. A bateria não está carregada.	Verifique a instalação da bateria. Verifique os requisitos para carregar a bateria carregada.
A bateria não irá ser carregada.	Bateria não introduzida no carregador. Carregador não ligado. A temperatura de ar circundante é demasiado quente ou fria.	Insira a bateria no carregador até o LED acender-se. Ligue o carregador à tomada. Consulte "Notas importantes sobre carregamento" para obter mais informações. Verifique a corrente na tomada, ligando uma lâmpada ou outro equipamento. Verifique se a tomada está ligada a um interruptor de luz que se apaga quando desliga as luzes. Coloque o carregador e a ferramenta a uma temperatura ambiente superior a 4,5 °C ou inferior a +40,5 °C.

Manutenção

Este equipamento BLACK+DECKER sem fio foi concebido para funcionar durante um longo período de tempo com uma manutenção mínima. Uma utilização continuamente satisfatória depende de uma manutenção adequada da ferramenta e de uma limpeza frequente.

Atenção! Antes de executar qualquer manutenção em equipamentos sem fio:

- ◆ Deixe a bateria descarregar por completo se estiver incorporada e, em seguida, desligue-a.
- ◆ Desligue o carregador antes de o limpar. O carregador não necessita de manutenção para além da limpeza frequente.
- ◆ Limpe regularmente as aberturas de ventilação do equipamento/carregador com uma escova suave ou um pano seco.
- ◆ Limpe regularmente o compartimento do motor com um pano húmido. Não utilize produtos de limpeza abrasivos ou à base de dissolventes.

Substituição dos filtros

Os filtros devem ser substituídos a cada 6 a 9 meses e sempre que estiverem gastos ou danificados. Os filtros sobresselentes podem ser adquiridos através do seu revendedor da BLACK+DECKER.

- ◆ Retire os filtros usados, como indicado acima.
- ◆ Coloque os filtros novos, como indicado acima.

Protecção do ambiente



Faça uma recolha de lixo selectiva. Os produtos e as baterias assinalados com este símbolo não devem ser eliminados em conjunto com o lixo doméstico normal.

Os produtos e as baterias contêm materiais que podem ser recuperados ou reciclados, reduzindo assim a necessidade de matérias-primas.

Recicle os produtos eléctricos e as baterias de acordo com as disposições locais. Estão disponíveis mais informações em www.2helpU.com

Dados técnicos

	BHFEA18	BHFEA18D
Tensão	18 V	18 V
Watt-horas	36 Wh (bateria de 18 V, 2,0 ah)	36 Wh (bateria de 18 V, 2,0 ah)
Tempos de carga aprox.	5 horas	5 horas
Peso	Unidade de base: 2,4 kg - 2,8 kg com bateria	Unidade de base: 2,4 kg - 2,8 kg com bateria

Carregador		S010**2400040/ SSC-250040**	S018***1800100/ SSC-200100**
Tensão de entrada	V _{CA}	100 - 240	220 - 240
Tensão de saída	V _{CC}	8 - 20	8 - 20
Corrente	mA	400	1000
Tempo de carga aprox.	Horas	3 - 5	1 - 5

Bateria		BL1518	BL2018	BL4018
Tensão	V _{CA}	18	18	18
Capacidade	Ah	1,5	2,0	4,0
Tipo		lões de lítio	lões de lítio	lões de lítio

Garantia

A Black & Decker confia na qualidade dos seus produtos e oferece aos clientes uma garantia de 24 meses a partir da data de compra. Esta garantia é um complemento dos seus direitos estabelecidos por lei, não os prejudicando de forma alguma. A garantia é válida nos Estados-membros da União Europeia e nos países-membros da Zona Europeia de Comércio Livre. Para accionar a garantia, esta deve estar em conformidade com os termos e condições da Black&Decker e terá de apresentar o comprovativo de compra ao vendedor ou a um técnico de reparação autorizado. Os termos e condições da garantia de 2 anos da Black&Decker e a localização do agente de reparação autorizado mais próximo podem ser obtidos na Internet em www.2helpU.com ou contactando uma filial da Black & Decker, cuja morada está indicada neste manual.

Visite o nosso Website www.blackanddecker.co.uk para registar o novo produto Black & Decker e manter-se actualizado relativamente a novos produtos e ofertas especiais.

Avsedd användning

Din BLACK+DECKER, BHFEA18, BHFEA18D1 sladdlösa dammsugare har designats för dammsugning. Apparaten är endast avsedd för hemmabruk.



Läs hela den här bruksanvisningen noggrant innan du börjar använda apparaten.

Säkerhetsinstruktioner



Varning! Läs alla säkerhetsvarningar och alla instruktioner.

Fel som uppstår till följd av att varningarna och instruktionerna som listas nedan inte följts kan orsaka elstöt, brand och/eller allvarliga kroppsskador.

- ◆ Avsedd användning beskrivs i denna manual. Använd inte apparaten med andra tillbehör eller tillsatser än de som rekommenderas i den här bruksanvisningen eftersom detta kan leda till personskador.
- ◆ Spara den här bruksanvisningen för framtida referens.

Använda apparaten

- ◆ Använd inte apparaten för att suga upp vätskor eller material som kan fatta eld.
- ◆ Använd inte utan dammpåse och/eller filter på plats
- ◆ Använd inte apparaten i närheten av vatten.
- ◆ Sänk aldrig apparaten i vatten.
- ◆ Dra aldrig i sladden till laddaren när du drar ut den från vägguttaget. Håll sladden till laddaren borta från värme, olja och vassa kanter.
- ◆ Denna apparat kan användas av barn från 8 år och personer med nedsatt fysisk eller psykisk förmåga eller bristande erfarenhet eller kunskap, om de övervakas eller får instruktioner om hur apparaten används på ett säkert sätt och är medvetna om riskerna. Barn ska inte leka med apparaten. Rengöring och användarunderhåll ska inte utföras av barn utan övervakning.

Kontroll och reparationer

Kontrollera att apparaten inte är skadad eller har defekta delar. Kontrollera att inga delar är trasiga, att strömbrytaren fungerar och att inget annat föreligger som kan påverka dess funktion.

- ◆ Använd inte apparaten om någon del har skadats eller gått sönder.
- ◆ Låt en auktoriserad reparatör reparera eller byta ut skadade eller defekta delar.
- ◆ Kontrollera regelbundet att sladden till laddaren inte har skadats. Byt ut laddaren om sladden är skadad eller trasig.
- ◆ Försök aldrig ta bort eller byta ut andra delar än de som anges i den här bruksanvisningen.

Ytterligare säkerhetsinstruktioner

Efter användning

- ◆ Koppla ifrån laddaren innan laddaren eller laddningsbasen rengörs.
- ◆ När apparaten inte används ska den förvaras på en torr plats.
- ◆ Barn ska inte ha tillgång till apparater under förvaring.

Återstående risker

Ytterligare risker som inte finns med i de bifogade säkerhetsanvisningarna kan uppstå när verktyget används. Dessa risker kan uppstå vid felaktig eller långvarig användning, etc. Även om alla relevanta säkerhetsanvisningar följs och säkerhetsanordningar används kan vissa ytterligare risker inte undvikas.

Dessa omfattar:

- ◆ Skador orsakade av att roterande/rörliga delar vidrörs.
- ◆ Skador som uppstår vid byte av delar, klinga eller tillbehör.
- ◆ Skador som orsakas av långvarig användning av ett verktyg. Se till att regelbundet ta vilopauser när du använder ett verktyg under en längre period.
- ◆ Hörselnedsättning.
- ◆ Hälsorisker orsakade av inandning av damm när redskapet används (exempel: arbete med trä, särskilt ek, bok och MDF.)

Batteri och laddare

Batterier (kan säljas separat)

- ◆ Laddningsbara batterier ska tas ut ur apparaten före laddning.
- ◆ Batterier ska sättas in med rätt polaritet.
- ◆ Uttjänta batterier ska tas ut ur apparaten och slängas på avsedd plats.
- ◆ Om apparaten ska förvaras oanvänd under en längre period skall batterierna tas bort.
- ◆ Försörjningsterminalerna får inte kortslutas.
- ◆ Försök aldrig öppna batteriet.
- ◆ Utsätt inte batteriet för vatten.
- ◆ Utsätt inte batteriet för värme.
- ◆ Förvara inte på platser där temperaturen kan bli högre än 40 °C.
- ◆ Ladda endast vid temperaturer mellan 10 °C och 40 °C.

- ◆ Ladda endast med hjälp av laddaren som medföljer apparaten/verktyget. Användning av fel laddare kan resultera i en elektrisk stöt eller att batteriet överhettas.
- ◆ Följ instruktionerna i avsnittet "Skydda miljön" när du gör dig av med batterier.
- ◆ Skydda batteriet från skador/ deformationer i form av slag och stötar eftersom det kan leda till personskador eller eldsvåda.
- ◆ Ladda inte skadade batterier.
- ◆ Under extrema förhållanden kan batterierna läcka. Om det finns vätska på batterierna ska du torka bort vätskan försiktigt med en trasa. Undvik hudkontakt.
- ◆ Vid kontakt med hud eller ögon, följ instruktionerna nedan.

Varning! Batterivätskan kan orsaka person- eller materialskador.

Vid hudkontakt, skölj genast med vatten. Vid rodnader, smärta eller irritation ska läkare uppsökas. Vid kontakt med ögon, skölj genast med rent vatten och uppsök läkare.

Laddare (kan säljas separat)

Laddaren är avsedd för en viss spänning. Kontrollera alltid att nätspänningen överensstämmer med spänningen på typskylten och informationen i tabellen med tekniska data.

Varning! Försök aldrig byta ut laddaren mot en vanlig nätkontakt.

- ◆ Använd endast din Black & Decker-laddare för att ladda batteriet i den apparat som den levererades med.

Andra batterier kan spricka och orsaka personskador och andra skador.

- ◆ Försök aldrig att ladda ej uppladdningsbara batterier.
- ◆ Om nätsladden är skadad, måste den för att undvika risker, bytas ut av tillverkaren eller en auktoriserad BLACK+DECKER-verkstad.
- ◆ Utsätt inte laddaren för vatten.
- ◆ Öppna inte laddaren.
- ◆ Gör ingen åverkan på laddaren.
- ◆ Redskapet/verktyget/batteriet ska placeras på en plats med god ventilation vid laddning.

Elsäkerhet

Symboler på laddaren



Läs hela den här bruksanvisningen noggrant innan du använder apparaten.



Detta verktyg är dubbelt isolerat; av den orsaken krävs ingen jordledning. Kontrollera alltid så att spänningen på nätet motsvarar den spänning som finns angiven på märkplåten.



Laddningsbasen är endast avsedd för användning inomhus.

Etiketter på apparaten

Följande symboler finns på denna apparat tillsammans med datumkoden



Läs hela den här bruksanvisningen noggrant innan du använder apparaten

Funktioner

Detta verktyg har några eller samtliga av följande funktioner.

1. Strömbrytare
2. Laddningsuttag
3. Laddningsstatus
4. Läsknapp för dammbehållare
5. Rensa dammbehållare
6. Cyklonfilteraggregat
7. Läsknapp, förlängningsstång
8. Förlängningsstång
9. Golvhuvud (med inbyggd golvavkänning)
10. Läsknapp borstvals

11. Elementmunstycke
12. Batteri
- 12a. Laddare
13. Förvaringsstation

Användning

Ladda batteriet (bild A, B)

Standardladdaren som medföljer laddar ett helt tomt batteri på 5 timmar

- ◆ Koppla in laddaren (12a) i lämpligt uttag innan batteripaketet (12) sätts i.
- ◆ Sätt i batteripaketet (12) i laddaren (12a) på det sätt som bild A visar.
- ◆ Den gröna LED (12b) blinkar vilket indikerar att batteriet laddas.
- ◆ När laddningen är klar indikeras detta av att den gröna LED (12b) lyser kontinuerligt. Batteriet är fulladdat och kan nu användas eller lämnas i laddaren.

Notera: Ladda urladdade batterier så snart som möjligt efter användning, i annat fall kan batterilivslängden minska betydligt.

Notera: Laddaren och batteripaketet kan vara ansluten till vägguttaget hur länge som helst när den gröna LED-indikatorn lyser.

Laddaren ser till att batteriet hålls fräscht och fulladdat.

Viktiga anmärkningar gällande laddning

- ◆ Längst livslängd och bäst prestanda kan erhållas när lufttemperaturen är mellan 18 - 24 °C. Ladda INTE batteripaketet när lufttemperaturen är under 4,5 °C eller över 40,5 °C.
Detta är viktigt eftersom det förhindrar allvarlig skada på batteripaketet.
- ◆ Laddaren och batteripaketet kan bli för varma att vidröra under laddningen. Detta är normalt och indikerar inte något problem. För att möjliggöra kylning av batteripaketet, undvik att placera laddaren eller batteripaketet på en varm plats såsom i ett metallskjul eller i en oisolerad vagn.
- ◆ Om batteripaketet inte laddar korrekt:
 - ◆ Kontrollera eluttaget genom att ansluta en lampa eller någon annan apparat.
 - ◆ Kontrollera om uttaget är anslutet till en strömbrytare som stänger av strömmen när du släcker lamporna.
 - ◆ Flytta laddaren och batteripaketet till en plats där den omgivande temperaturen är ungefär 18°–24 °C.
 - ◆ Om laddningsproblemen kvarstår, lämna apparaten, batteripaketet och laddaren till ditt lokala servicecenter.
- ◆ Batteripaketet måste laddas när de inte längre kan producera tillräckligt med energi för jobb som enkelt utfördes tidigare. FORTSÄTT INTE att använda det under dessa förhållanden. Följ laddningsproceduren.

Du kan också ladda ett delvis använt paket när du så önskar utan att det har någon negativ effekt på batteripaketet.

- ◆ Främmande föremål som är ledande såsom, men inte begränsat till, stålull, aluminiumfolie eller ansamling av metallpartiklar bör hållas borta från laddningshållrummet. Koppla alltid ifrån laddaren från eluttaget när det inte finns något batteripaket i facket. Koppla ifrån laddaren vid rengöring.
- ◆ Frys inte eller sänk ned laddaren i vatten eller annan vätska.

Varning! Låt ingen vätska komma in i laddaren. Försök aldrig att öppna batteripaketet av någon anledning. Om plasthöljet på batteripaketet går sönder eller spricker, lämna det till ett servicecenter för återvinning.

Laddningsstatus (fig. C)

Denna apparat innehåller en laddningsindikator (3) som består av tre LED-lampor som anger laddningsnivån som finns kvar i batteriet. Denna funktion aktiveras endast när dammsugaren är påslagen och laddar.

Laddningsindikatorn är en indikation på ungefärliga återstående laddningsnivåer i batteriet.

LED-batteriidikatorn visar återstående laddning och varnar dig när batteriet är svagt.

Den sista LED kommer att blinka kontinuerligt när det endast är mycket lite batteritid kvar.

Notera: Laddningsindikatorns status är bara en indikation av den laddning som finns kvar på batteriet.

Den indikerar inte verktygets funktionalitet och kan variera baserat på produktkomponenter, temperatur och slutanvändarens användning.

Installera och ta bort batteriet (bild D, E)

Varning! Se till att dammsugaren är avstängd innan batteriet tas bort eller installeras.

Installera batteripaket

- ◆ Sätt in batteripaketet (12) i dammsugaren (12c) tills ett hörbart klick hörs (bild D). Se till att batteripaketet sitter helt på plats och är låst i positionen.

För att ta bort batteripaketet

- ◆ Tryck ned batterilåsknappen (12d) såsom visas i bild E och dra bort batteripaketet från dammsugaren.

Montering (bild F)

- ◆ Rikta in avtsidan av förlängningsröret (8) mot dammsugningsingången (7a) såsom visas i bild F.
- ◆ Skjut förlängningsröret (8) på dammsugningsingången (7a) så att det låses på plats.
- ◆ För att ta bort ett förlängningsrör, tryck på förlängningsrörets låsknapp (7) och dra försiktigt av förlängningsröret.

Varning! När den inte används placera enheten med baksidan av dammsugaren riktad mot väggen så att den enheten inte oavsiktligt faller, den skall ha kontakt med väggen inte med personer eller husdjur.

Användning

Denna dammsugare kan användas på ett av två sätt.

- ◆ Med förlängningsröret (8) och golvmunstycket (9).
- ◆ Med elementmunstycket (11) och dammsugaren.

Monteringsstillbehör (fig. G)

- ◆ Med elementmunstycket (11) kan du dammsuga i trånga utrymmen och utrymmen som är svåra att nå.
- ◆ Fäst elementmunstycket (11) genom att trycka in det i dammsugarintaget (7a) så att det låses på plats enligt figur D.
- ◆ Frigör elementmunstycket (11) genom att trycka på låsknappen till elementmunstycket (11a) och försiktigt dra av elementmunstycket.

Slå på och stäng av (bild H)

- ◆ För att slå på, tryck på strömbrytaren (1).
- ◆ För ökad effekt, tryck på strömbrytaren (1) igen.
- ◆ Tryck på strömbrytaren (1) en tredje gång för att stänga av enheten.

Notera: Statusen på laddningsindikatorernas LED (3) kommer att lyda medan dammsugaren är påslagen.

- ◆ Stäng av genom att skjuta strömbrytaren (1) till läge "O".
- ◆ Ladda batteriet (12) omedelbart efter användning så att det är redo att användas och fulladdat inför nästa användning.

Floorsense

Floorsense är aktivt i låg hastighet. När en matta upptäcks ökar enhetens prestanda automatiskt till hög hastighet. När ett hårt golv upptäcks minskar enhetens prestanda till låg hastighet.

Rengöring och tömning av dammsugaren

Varning! Fara för projektiler/andningsproblem: Använd aldrig dammsugaren utan filtret.

Varning! Filtret är återanvändningsbart, blanda inte ihop dem med dammpåsen som kastas och kasta inte bort det när produkten töms. Vi rekommenderar att filtret byts var 6-9 månad beroende på användningsfrekvens.

För att tömma dammbehållaren (bild I, J, K, L)

- ◆ Skjut ned dammbehållarens låsknapp (4) och ta bort dammbehållaren (5) från dammsugaren.
- ◆ Använd pekfingeret och tummen för att klämma ihop filterhöljets flikar och dra ut filterhöljet (6) från behållaren såsom visas i bild G.
- ◆ Placera dammbehållaren över en papperskorg och töm dammbehållaren som visas i bild H.

- ◆ Ta bort skumgummifiltret (6a) från filterhöljet såsom visas i bild I.
- ◆ Skaka eller borsta lätt bort allt löst damm från skumgummifiltret (6a) och filtret (6).
- ◆ Skölj dammbehållaren (5) med varmt såpvatten.
- ◆ Rengör filtren med varmt såpvatten.
- ◆ Se till att filtren är helt torra innan de sätts tillbaka i filterhöljet.
- ◆ Sätt tillbaka det rengjorda och torra skumgummifiltret (6a) i filterhöljet (6).
- ◆ Sätt tillbaka filterhöljet i dammbehållaren (5).
- ◆ Installera dammbehållaren i dammsugaren tills den "klickar" fast på plats.

Borttagning och rengöring av borstvalsens (Bild M, N)

Varning! För att minska risken för skador från rörliga delar, koppla ifrån golvhuvudet och förlängningsröret från dammsugaren innan rengöring eller service.

- ◆ För att ta bort borstvalsens (9b) från golvhuvudet (9): Skjut borstvalsens låsknapp (9a) bakåt på enheten.
- ◆ Borstvalsens (9b) kan nu tas bort och rengöras.

Säker förvaring (bild O)

Enheten kan förvaras säkert när den inte används genom att placera haken på motorenheten på förvaringsstationen (13) såsom visas i bild O.

Felsökning

Problem	Möjlig orsak	Möjlig lösning
Enheten startar inte.	Batteriet är inte korrekt installerat. Batteriet är inte laddat.	Kontrollera batteriets installation. Se till att batteriet är ordentligt laddat
Batteriet går inte att ladda.	Batteriet är inte isatt i laddaren. Laddaren är inte ansluten till elnätet.	Sätt i batteriet i laddaren tills en LED tänds. Anslut laddaren till ett fungerande eluttag. Se "Viktiga anmärkningar gällande laddning" för närmare information. Kontrollera eluttaget genom att ansluta en lampa eller någon annan apparat. Kontrollera om uttaget är anslutet till en strömbrytare som stänger av strömmen när du släcker lamporna. Flytta laddaren och batteriet till en plats där temperaturen i den omgivande luften är över 4,5 °C eller under 40,5 °C
	Omgivande temperatur är för varm eller för kall.	

Underhåll

Den här sladdlösa BLACK+DECKER-apparaten har konstruerats för att fungera under lång tid med minsta möjliga underhåll. Kontinuerlig tillfredsställande drift är beroende av ordentlig verktygsvård och regelbunden rengöring.

Varning! Innan du utför underhåll på apparater utan sladd:

- ◆ Om batteriet är inbyggt låter du det laddas ur helt innan avstängningen.
- ◆ Dra ur sladden till laddaren innan du rengör den. Laddaren behöver inget annat underhåll än regelbunden rengöring.
- ◆ Rengör regelbundet apparatens/laddarens luftintag med en mjuk borste eller torr trasa.
- ◆ Rengör motorkåpan regelbundet med en fuktig trasa. Använd aldrig något slipande eller lösningsmedelsbaserat rengöringsmedel.

Byta filtren

Filtren bör bytas ut var sjätte till nionde månad eller om de är utslitna eller trasiga. Utbytesfilter finns att köpa hos din BLACK+DECKER-återförsäljare.

- ◆ Ta loss de gamla filtren enligt beskrivningen ovan.
- ◆ Montera de nya filtren enligt beskrivningen ovan.

Skydda miljön



Separat insamling. Produkter och batterier som är markerade med denna symbol får inte kastas i de vanliga hushållsoporna.

Produkter och batterier innehåller material som kan återanvändas eller återvinnas för att minska behovet av råmaterial.

Återvinn elektriska produkter och batterier enligt lokala föreskrifter. Närmare information finns tillgänglig på www.2helpU.com

Tekniska data

	BHFEA18	BHFEA18D
Spänning	18v	18v
Watt-timmar	36wh (18v 2,0ah batteripaket)	36wh (18v 2,0ah batteripaket)
Ungefärlig laddningstid	5 timmar	5 timmar
Vikt	2,4 kg bar enhet - 2,8 kg med batteri	2,4 kg bar enhet - 2,8 kg med batteri

Laddare		S010**2400040/ SSC-250040**	S018***1800100/ SSC-200100**
Inspänning	V_{AC}	100 - 240	220 - 240
Utspänning	V_{DC}	8 - 20	8 - 20
Strömstyrka	mA	400	1000
Laddningstid cirka	Timmar	3 - 5	1 - 5

Batteri		BL1518	BL2018	BL4018
Spänning	V_{AC}	18	18	18
Kapacitet	Ah	1,5	2,0	4,0
Typ		Li-jon	Li-jon	Li-jon

Garanti

Black & Decker är säker på kvaliteten hos denna produkt och erbjuder kunder 24 månaders garanti från inköpsdatumet. Denna garanti är ett tillägg till dina lagstadgade rättigheter och påverkar inte dessa på något sätt. Garantin är giltig i de territorier som tillhör medlemsstaterna i Europeiska unionen och det europeiska frihandelsområdet.

För yrkande under garantin måste yrkandet vara inlighet med Black&Deckers villkor och du kommer att behöva skicka in bevis på köpet till försäljaren eller en auktoriserad reparatör. Villkoren för Black&Deckers tvååriga garanti och var du hittar din närmaste auktoriserade reparatör kan erhållas på internet på www.2helpU.com, eller genom att kontakta ditt lokala Black & Decker kontor på adressen som angetts i denna bruksanvisning.

Besök vår webbplats www.blackanddecker.se för att registrera din nya Black & Decker-produkt samt för att få information om nya produkter och specialerbjudanden.

Tiltenkt bruk

Din BLACK+DECKER BHFEA18, BHFEA18D1 trådløse støvsugere er designet for støvsuging. Apparatet er bare beregnet for bruk i hjemmet.



Les hele denne håndboken nøye før du bruker apparatet.

Sikkerhetsinstruksjoner**Advarsel! Les alle**

sikkerhetsadvarsler og alle instruksjoner. Hvis advarslene og anvisningene nedenfor ikke overholdes, kan det medføre elektrisk støt, brann og/eller alvorlige personskader.

- ◆ Beregnet bruk er beskrevet i denne bruksanvisningen. Hvis du bruker annet tilbehør, kobler til annet utstyr eller bruker dette apparatet til andre oppgaver enn det som er anbefalt i denne håndboken, kan det føre til fare for personskade.
- ◆ Ta vare på denne bruksanvisningen for fremtidig bruk.

Bruke produktet

- ◆ Ikke bruk apparatet til å suge opp væske eller materialer som kan ta fyr.
- ◆ Skal ikke brukes uten påsatt støvpose og/eller filter
- ◆ Ikke bruk apparatet i nærheten av vann.
- ◆ Ikke senk apparatet ned i vann.
- ◆ Ikke dra i ledningen når du skal fjerne laderen fra stikkkontakten. Hold ledningen til laderen borte fra varmekilder, olje og skarpe kanter.

- ◆ Dette apparatet kan brukes av barn som er 8 år eller eldre samt av personer som har reduserte fysiske, sansemessige eller mentale evner, eller som mangler erfaring og kunnskap, hvis de har tilsyn eller har fått veiledning i bruk av apparatet på en trygg måte og forstår farene som foreligger. Barn skal ikke leke med apparatet. Rengjøring og brukervedlikehold skal ikke utføres av barn uten tilsyn.

Kontroll og reparasjon

Kontroller at apparatet ikke er skadet eller har defekte deler før du bruker det. Undersøk om brytere eller andre deler er skadet, eller om det er andre forhold som kan påvirke bruken.

- ◆ Ikke bruk produktet hvis noen del er skadet eller defekt.
- ◆ Overlat reparasjon eller utskifting av skadde eller defekte deler til et autorisert serviceverksted.
- ◆ Kontroller regelmessig om ledningen til laderen er skadet. Skift ut laderen hvis ledningen er skadet eller defekt.
- ◆ Forsøk aldri å fjerne eller skifte ut andre deler enn dem som er oppgitt i denne håndboken.

Ytterligere sikkerhetsinstruksjoner**Etter bruk**

- ◆ Ta ut støpselet til laderen før du rengjør laderen eller ladesokkelen.
- ◆ Når produktet ikke er i bruk, skal det oppbevares på et tørt sted.

- ◆ Barn skal ikke ha tilgang til apparater som oppbevares.

Restrisikoer

Når verktøyet brukes, kan det oppstå ytterligere risikoer som kanskje ikke er beskrevet i de medfølgende sikkerhetsadvarslene. Disse risikoene kan bli forårsaket av feil bruk, langvarig bruk osv.

Selv om de relevante sikkerhetsbestemmelsene blir fulgt, og sikkerhetstiltakene blir gjennomført, kan visse gjenværende risikoer ikke unngås. Disse inkluderer:

- ◆ Personskader som forårsakes av berøring av en roterende/bevegelig del.
- ◆ Personskader som oppstår ved skifte av deler, blader eller tilbehør.
- ◆ Personskader som skyldes for lang tids bruk av verktøyet. Når du bruker et verktøy i lange perioder, må du sørge for å ta regelmessige pauser.
- ◆ Hørselskader.
- ◆ Helsefarer forårsaket av innånding av støv som utvikler seg når du bruker verktøyet (eksempel: arbeid med tre, spesielt eik, bøk og MDF).

Batterier og ladere

Batterier (kan selges separat)

- ◆ Oppladbare batterier skal tas ut av apparatet før lading.
- ◆ Batteriene må settes inn rett vei (polaritet).
- ◆ Brukte batterier skal tas ut av apparatet og avhendes på trygg måte.

- ◆ Hvis apparatet skal lagres ubrukt over lengre perioder, skal batteriene tas ut.
- ◆ Strømkontaktene må ikke kortsluttes.
- ◆ Forsøk aldri å åpne av noen årsak.
- ◆ Ikke utsett batteriet for vann.
- ◆ Ikke utsett batteriet for varme.
- ◆ Ikke oppbevar det på steder hvor temperaturen kan komme over 40 °C.
- ◆ Lad bare ved temperaturer mellom 10°C og 40°C.
- ◆ Bruk bare den laderen som følger med apparatet/verktøyet. Hvis du bruker feil lader, kan dette føre til et elektrisk støt eller at batteriet overopphetes.
- ◆ Følg instruksjonene i avsnittet "Miljøvern" når du skal kaste batterier.
- ◆ Ikke skad eller deformer batteripakken ved punktering eller støt, da dette kan føre til risiko for personskade og brann.
- ◆ Du må ikke lade skadede batterier.
- ◆ Under ekstreme forhold kan batterilekkasje forekomme. Hvis du oppdager væske på batteriene, må du tørke den forsiktig av med en klut. Unngå kontakt med huden.
- ◆ Hvis væsken kommer i kontakt med huden eller øynene, følger du instruksjonene nedenfor.

Advarsel! Batterivæsken kan føre til personskade eller skade på eiendom. Ved hudkontakt skyller du umiddelbart med vann. Hvis huden blir rød eller irritert eller smerter inntreffer, søk øyeblikkelig medisinsk hjelp.

Hvis væsken kommer i kontakt med øynene, skyller du umiddelbart med rent vann og søker øyeblikkelig medisinsk hjelp.

Ladere (kan selges separat)

Laderen er konstruert for en bestemt spenning. Kontroller alltid at nettspenningen er i overensstemmelse med spenningen på typeskiltet og angivelsene under tekniske data.

Advarsel! Ikke skift ut laderen med et vanlig nettstøpsel.

- ◆ Bruk bare BLACK+DECKER-laderen til å lade batteriet i apparatet som laderen ble levert sammen med. Andre batterier kan sprekke og føre til personskade og materiell skade.
- ◆ Prøv aldri å lade ikke-oppladbare batterier.
- ◆ Hvis strømledningen blir skadet, må den byttes av produsenten eller et autorisert BLACK+DECKER-servicesenter for å unngå fare.
- ◆ Ikke utsett laderen for vann.
- ◆ Ikke åpne laderen.
- ◆ Ikke stikk gjenstander eller fingre inn i laderen.
- ◆ Apparatet, verktøyet eller batteriet må plasseres på et sted med god gjennomlufting under ladning.

Elektrisk sikkerhet

Symboler på laderen



Les hele denne håndboken nøye før du bruker produktet.



Dette verktøyet er dobbeltisolert. Jording er derfor ikke nødvendig. Kontroller alltid at strømforsyningen samsvarer med spenningen på merkeskiltet.



Ladeenheten er bare beregnet for bruk innendørs.

Produktmerking

Følgende symboler vises på apparatet sammen med datokoden



Les hele denne håndboken nøye før du bruker produktet

Funksjoner

Dette verktøyet har noen av eller alle følgende egenskaper.

1. På/av-strømbryter
2. Ladeport
3. Ladeindikator
4. Utløserknapp for støvoppsamler
5. Gjennomiktig støvoppsamler
6. Syklonfiltermodul
7. Frigjøringsknapp til forlengelsesdelen
8. Forlengelsesdel
9. Gulvhode (med innebygget gulvsensor)
10. Børstehode låseknapp
11. Kantsuger (smalt munnstykke)
12. Batteri
- 12a. Lader
13. Lagringsstasjon

Bruk

Ladning av batteriet (figur A og B)

Standard lader vil lade opp et helt utladet batteri på omtrent 5 timer

- ◆ Plugg inn laderen (12a) i en passende stikkontakt før du setter inn batteripakken (12).
- ◆ Sett batteripakken (12) inn i laderen (12a) som vist i figur A.
- ◆ Det grønne LED-lyset (12b) blinker for å varsle om at batteriet lades.
- ◆ Fullført ladning vises ved at den grønne LED-en (12b) er på. Pakken er da fullt oppladet og kan brukes, eller den kan bli stående i laderen.

Merk: Lad opp utladede batterier så fort som mulig etter bruk, ellers vil batteriets levetid forringes.

Merk: Laderen og batteripakken kan forbli tilkoblet med lysende LED-lys i ubegrenset tid.

Laderen holder batteripakken klar og fulladet.

Viktige merknader om ladning

- ◆ Lang levetid og best ytelse oppnås dersom batteripakken lades med lufttemperatur mellom 18°- 24°C. IKKE lade batteripakken ved lufttemperatur under +4,5°C eller over +40,5°C.

Dette er viktig og vil forhindre alvorlig skade på batteripakken.

- ◆ Laderen og batteripakken kan være varme å ta på under lading. Dette er normalt og er ikke et tegn på et problem. For å muliggjøre bedre kjøling av batteripakken etter bruk, unngå å oppbevare laderen i varme omgivelser slik som et metallskur eller en uisolert trailer.
- ◆ Hvis batteripakken ikke lader skikkelig:
 - ◆ Kontroller strømmen i kontakten ved å sette inn en lampe eller et annet apparat.
 - ◆ Kontroller at stikkkontakten er koblet til en lysbryter som slår av strømmen når du slår av lyset.
 - ◆ Flytt laderen og batteripakken til et sted hvor omgivelsestemperaturen er omtrent 18° - 24°C.
 - ◆ Dersom ladeprobleme vedvarer, ta verktøyet, batteripakken og laderen til ditt lokale servicesenter.
- ◆ Denne batteripakken må lades opp når den slutter å gi nok strøm til jobber som ble utført litt tidligere. I så fall, IKKE fortsatt å bruke verktøyet. Følg ladeprosedyren. Du kan også lade opp en halvutladet pakke når som helst uten at det har noen effekt på batteripakken.
- ◆ Fremmedlegemer som kan lede strøm, inkludert, men ikke begrenset til stålull, aluminiumsfolie eller annen ansamling av metalliske partikler, må holdes unna åpningene i laderen.
 - ◆ Kople alltid laderen fra strømtilførselen når det ikke er en batteripakke i hulrommet. Kople fra laderen før rengjøring.
 - ◆ IKKE sprut på eller senke ned i vann eller andre væsker.

Advarsel! Ikke la væske komme inn i laderen. Aldri forsøk å åpne batteripakken av noen årsak. Dersom plasthuset på batteripakken knekker eller får sprekker, send den til et servicesenter for avhending.

Ladeindikator (figur C)

Dette apparatet inkluderer en indikator for ladestatus (3) som består av tre LED-lys som indikerer nivået av batterikapasitet. Denne funksjonen er kun aktivert når støvsugeren står på lading.

Ladeindikatoren angir omtrentlige ladningsnivå som gjenstår i batteripakken.

LED-batteriindikatoren viser gjenstående batterilading og advarer deg når batteriet er lavt.

Det siste LED-lyset vil blinke kontinuerlig når det kun er litt batterikapasitet igjen.

Merk: Ladeindikatoren er kun en indikasjon av gjenværende lading i batteriet.

Den gir ingen indikasjon på om verktøyet fortsatt kan brukes, og kan variere med produktkomponentene, temperatur og brukerens bruksområde.

Sette inn og ta ut batteriet (figur D og E)

Advarsel! Pass på at støvsugeren er slått av før du tar ut eller setter inn batteri.

Installere batteripakken

- ◆ Sett batteripakken (12) inn i støvsugeren (12c) til du hører et klikk når det går i lås (figur D). Pass på at batteripakken sitter godt og er låst på plass.

For å ta ut batteripakken

- ◆ Trykk inn batterilåseknappen (12d) som vist i figur E og ta batteripakken ut av støvsugeren.

Montering (figur F)

- ◆ Rett inn toppen av forlengerslangen (8) med sugeåpningen (7a) som vist i figur F.
- ◆ Trykk forlengerslangen (8) på sugeåpningen (7a) slik at den låses på plass.
- ◆ For å ta av forlengerslangen, trykk på løseknappen for forlengerslange (7) og trekk av forlengerslangen.

Advarsel! Når du ikke bruker enheten, plasser den med bakenden av støvsugeren pekende mot en vegg slik at utilsiktede fall vil skje mot veggen og ikke mot personer eller husdyr.

Bruk

Denne støvsugeren kan brukes på en av to måter.

- ◆ Med forlengerslangen (8) og gulvhodet (9).
- ◆ Med kantsuger (smalt munnstykke) (11) og suging.

Montere tilbehør (figur G)

- ◆ Det smale sugestykket (11) er laget for støvsuging av smale og utilgjengelige steder.
- ◆ For å sette på kantsuger (smalt munnstykke) (11), trykk det på sugeåpningen (7a) så det låses på plass som vist i figur G.
- ◆ For å løsne kantsuger (smalt munnstykke) (11) trykk på kantsugerens løseknapp (11a) og trekk kantsugeren forsiktig av.

Slå PÅ og AV (figur H)

- ◆ For å slå PÅ, trykk på av/på bryteren (1).
- ◆ For økt effekt, trykk av/på bryteren (1) en gang til.
- ◆ Skyv av/på bryteren (1) tilbake for å skru av apparatet.

Merk: Ladeindikatorens LED-lys (3) vil lyse mens støvsugeren er PÅ.

- ◆ **U** Når du skal slå AV, skyver du av/på bryteren (1) til posisjon "O".
- ◆ Lad opp batteriet (12) umiddelbart etter bruk slik at det er klart og fulladet til neste bruk.

Gulvsensor (Floorsense)

Gulvsensoren er aktiv ved lav hastighet. Når den registrerer et teppe blir ytelsen automatisk økt til høy hastighet.

Når den registrerer et hardt gulv blir ytelsen automatisk redusert til lav hastighet.

Rengjøre og tømme støvsugeren

Advarsel! Prosjektilluftveisfare: Bruk aldri apparatet uten filterne.

Advarsel! Filteret kan brukes om igjen, ikke forveksle dem med engangs støvposer og ikke kast det når produktet tømmes. Vi anbefaler at du skifter filter hver 6. til 9. måned, avhengig av hyppigheten av bruk.

For å tømme støvoppsamlern (fig. I, J, K, L)

- ◆ Trykk på utløserknappen (4) til støvoppsamlern (5) og ta den ut av støvsugeren.
- ◆ Bruk pekefingeren og tommelen for å klype sammen filterhusets knaster og trekk ut filterhuset (6) fra støvoppsamlern som vist i figur I.
- ◆ Plasser støvoppsamlern over en søppelkasse og tøm støvoppsamlern som vist i figur J.
- ◆ Fjern skumfilteret (6a) fra filterhuset som vist i figur K.
- ◆ Rist eller børst lett løst støv av skumfilteret (6a) og filteret (6).
- ◆ Skyll støvoppsamlern (5) med varmt såpevann.
- ◆ Vask filterne i varmt såpevann.
- ◆ Forsikre deg om at filterne er helt tørre før du setter de tilbake i filterhuset.
- ◆ Sett på plass det rene og tørre skumfilteret (6a) i filterhuset (6).
- ◆ Sett filterhuset inn i støvoppsamlern (5) igjen.
- ◆ Installer støvoppsamlern på støvsugeren til den klikker fast i posisjon.

Ta av og rengjør børstehodet (Figur M, N)

Advarsel! For å redusere faren for personskade fra bevegende deler, koble fra gulvhodet og forlengerslangen fra støvsugeren før du rengjør eller utfører service.

- ◆ For å ta av børstehodet (9b) fra gulvhodet (9), skyv løsneknappen (9a) bakover på apparatet.
- ◆ Børstehodet (9b) kan nå tas av og rengjøres.

Sikker oppbevaring (figur O)

Enheten kan lagres sikkert når den ikke er i bruk ved å sette festet bak på motorenheten på lagringskroken (13) som vist i figur O.

Feilsøking

Problem	Mulig årsak	Mulig løsning
Enheten starter ikke.	Batteriet er ikke satt inn riktig. Batteriet er ikke ladet.	Kontroller innstillingen av batteriet. Kontroller kravene til lading av batteriet

Problem	Mulig årsak	Mulig løsning
Batteriet lader ikke.	Batteriet er ikke satt inn i laderen. Laderen er ikke satt i stikkkontakten. Omgivelsestemperaturen er for varm eller kald.	Sett batteriet i laderen til LED-lyset tennes. Sett laderen i en stikkontakt som virker. Se "Viktige merknader om lading" for mer informasjon. Kontroller strømmen i kontakten ved å sette inn en lampe eller et annet apparat. Kontroller om stikkkontakten er koblet til en lysbryter som slår av strømmen når du slår av lyset. Flytt laderen og verktøyet til omgivelser med temperatur over 4,5°C eller under +40,5°C.

Vedlikehold

Det batteridrevne BLACK+DECKER-produktet er konstruert for å være i drift over lengre tid, med et minimum av vedlikehold. For at den skal fungere tilfredsstillende over tid, er det viktig å sørge for riktig stell av verktøyet og regelmessig renhold.

Advarsel! Før du utfører vedlikehold på et batteridrevet apparat:

- ◆ La batteriet gå helt tomt hvis det er innebygd, og slå deretter av.
- ◆ Trekk ut laderen fra stikkkontakten før du rengjør den. Laderen krever ikke annet vedlikehold enn regelmessig rengjøring.
- ◆ Rengjør ventilasjonsåpningene i apparatet/laderen regelmessig med en myk børste eller tørr klut.
- ◆ Rengjør motorhuset regelmessig med en fuktig klut. Ikke bruk slipende eller løsemiddelbaserte rengjøringsmidler.

Utskifting av filterne

Filterne bør skiftes ut hver 6. til 9. måned og ellers hvis de er slitt eller skadet. Reservefiltere får du hos en BLACK+DECKER-forhandler.

- ◆ Ta ut de gamle filterne som beskrevet ovenfor.
- ◆ Sett inn de nye filterne som beskrevet ovenfor.

Miljøvern



Separat avfallshåndtering. Produkter og batterier merket med dette symbolet skal ikke kastes i vanlig husholdningsavfall.

Produkter og batterier inneholder materialer som kan gjenbrukes eller gjenvinnes for å redusere behovet for nye råmaterialer.

Vennligst lever elektrisk utstyr og batterier til gjenbruk i henhold til lokale retningslinjer. Mer informasjon finner du på www.2helpU.com

Tekniske data

	BHFEA18	BHFEA18D
Spenning	18v	18v
Watt-timer	36 Wh (18 V 2,0 Ah batteripakke)	36 Wh (18 V 2,0 Ah batteripakke)
Omtrentlig ladetid	5 timer	5 timer
Vekt	2,4 kg "naken" enhet - 2,8 kg med batteri	2,4 kg "naken" enhet - 2,8 kg med batteri

Lader		S010**2400040/ SSC-250040**	S018***1800100/ SSC-200100**
Inngangsspenning	V_{AC}	100 - 240	220 - 240
Utgangsspenning	V_{DC}	8 - 20	8 - 20
Strøm	mA	400	1000
Omtrentlig ladetid	Timer	3 - 5	1 - 5

Batteri		BL1518	BL2018	BL4018
Spenning	V_{AC}	18	18	18
Kapasitet	Ah	1,5	2,0	4,0
Type		Li-Ion	Li-Ion	Li-Ion

Garanti

Black & Decker er trygg på kvaliteten av produktene sine og tilbyr en 24 måneders garanti fra kjøpsdato. Denne garantierklæringen kommer i tillegg til dine lovbestemte rettigheter og er ikke i konflikt med disse. Garantien er gyldig innen områdene tilhørende medlemslandene i den Europeiske Union (EU) og det Europeiske Frihandelsområdet (EFTA).

For å ta garantien i bruk må kravet være i samsvar med kjøpsbetingelsene fra Black&Decker og du må vise kjøpskvittering til forhandleren eller til et autorisert serviceverksted. Betingelsene for Black&Deckers 2 års garanti og adressen til din nærmeste autoriserte serviceverksted kan du finne på Internett under www.2helpU.com, eller ved å kontakte ditt lokale Black & Decker kontor, adressen er angitt i denne bruksanvisningen.

Besøk våre nettsider på www.blackanddecker.no for å registrere ditt nye Black & Decker-produkt og for å få informasjon om nye produkter og spesialtilbud.

Tilsigted bruk

Din BLACK+DECKER BHFEA18, BHFEA18D1 ledningsfri støvsuger er designet til støvsugningsformål. Apparatet er kun beregnet til bruk i husholdninger.



Læs hele vejledningen omhyggeligt, før du bruger apparatet.

Sikkerhedsinstruksjoner



Advarsel! Læs alle sikkerhedsadvarsler og alle instruksjoner. Hvis efterfølgende advarsler og instruksjoner ikke følges, er der risiko for elektrisk stød, brand og alvorlige kvæstelser.

- Den tilsigtede bruk er beskrevet i denne vejledning. Brugen af ekstraudstyr eller tilbehør eller udførelse af andet arbejde med dette apparat end det, der anbefales i denne vejledning, kan udgøre en fare for kvæstelser.
- Opbevar denne vejledning til senere bruk.

Brug af apparatet

- Brug ikke apparatet til at opsamle væske eller stoffer, der kan være antændelige.
- Må ikke bruges uden støvpose og/eller filtre på plads
- Brug ikke apparatet i nærheden af vand.
- Apparatet må ikke nedsænkes i vand.
- Træk aldrig i laderens ledning for at afbryde laderen fra stikkontakten.

Beskyt laderens ledning imod varmepåvirkninger, olie og skarpe kanter.

- ◆ Dette apparat kan bruges af børn i en alder fra 8 år og derover og personer med nedsatte fysiske, sensoriske eller mentale evner eller manglende erfaring og viden, hvis det sker under overvågning, eller de vejledes i brugen af apparatet på en sikker måde, og de forstår de farer, som er forbundet dermed. Børn må ikke lege med apparatet. Rengøring og brugervedligeholdelse må ikke foretages af børn uden opsyn.

Eftersyn og reparationer

Før brug skal apparatet kontrolleres for beskadigede eller defekte dele. Se efter knækkede dele, skader på kontakter og eventuelle andre tilstande, der kan påvirke apparatets funktion.

- ◆ Brug ikke apparatet med beskadigede eller defekte dele.
- ◆ Få beskadigede eller defekte dele repareret eller udskiftet på et autoriseret værksted.
- ◆ Kontroller regelmæssigt opladerens ledning for skader. Udskift opladeren, hvis ledningen er beskadiget eller defekt.
- ◆ Forsøg aldrig at fjerne eller udskifte dele ud over dem, der er beskrevet i denne vejledning.

Yderligere sikkerhedsvejledninger

Efter brug

- ◆ Træk laderen ud af stikkontakten, før laderen eller laderens basisenhed rengøres.
- ◆ Opbevar apparatet på et tørt sted, når det ikke er i brug.
- ◆ Børn må ikke have adgang til opbevarede apparater.

Tilbageværende risici

Der kan opstå yderligere, tilbageværende risici under brugen af apparatet, som muligvis ikke behandles i de vedlagte sikkerhedsadvarsler. Disse risici kan opstå pga. forkert anvendelse, langvarig brug etc.

Selv ved overholdelse af relevante sikkerhedsforskrifter og anvendelse af sikkerhedsudstyr kan visse resterende risici ikke undgås. Disse omfatter:

- ◆ Tilskadekomst forårsaget af berøring af roterende/bevægelige dele.
- ◆ Tilskadekomst forårsaget af udskiftning af dele, klinger eller tilbehør.
- ◆ Tilskadekomst forårsaget af langvarig brug af et værktøj. Husk at holde pause jævnlige ved brug af et apparat i længere tid.
- ◆ Hørenedsættelse.
- ◆ Sundhedsrisici forårsaget af indånding af støv, der genereres ved brug af værktøjet (eksempel: arbejde med træ, især, eg, bøg og MDF.)

Batterier og opladere

Batterier (kan sælges separat)

- ◆ Genopladelige batterier skal tages ud af batteriet inden opladning.
- ◆ Batterier skal indsættes, så polerne vender korrekt.
- ◆ Afladede batterier skal tages ud af apparatet og bortskaffes sikkert.
- ◆ Hvis udstyret ikke længere anvendes og skal deponeres i længere tid, bør batterierne tages ud.
- ◆ Forsyningsterminalerne må ikke kortsluttes.
- ◆ Forsøg aldrig at åbne den af en eller anden grund.
- ◆ Batteriet må ikke udsættes for fugt.
- ◆ Batteriet må ikke udsættes for varme.
- ◆ Må ikke opbevares på steder, hvor temperaturen kan overstige 40°C.
- ◆ Oplad kun ved omgivelsestemperaturer på mellem 10°C og 40°C.
- ◆ Brug kun den oplader, der fulgte med apparatet/værktøjet, til opladning. Brug af den forkerte oplader kan medføre elektrisk stød eller overophedning af batteriet.
- ◆ Følg vejledningen i afsnittet "Miljøbeskyttelse" ved bortskaffelse af batterier.
- ◆ Undgå at beskadige/deformere batteripakken ved at punktere den eller slå på den, da dette kan forårsage risiko for tilskadekomst eller brand.
- ◆ Beskadigede batterier må ikke oplades.

- ◆ Under ekstreme forhold kan der forekomme batterilækage. Hvis du bemærker væske på batterierne, skal du omhyggeligt tørre den af med en klud. Undgå kontakt med huden.
- ◆ I tilfælde af kontakt med hud eller øjne, skal du følge nedenstående anvisninger.

Advarsel! Batterivæsken kan forårsage personskader eller materielle skader. I tilfælde af kontakt med huden skylles straks med vand. Søg læge, hvis der opstår rødme, smerte eller irritation. Skyl straks med rent vand, og søg læge i tilfælde af kontakt med øjnene.

Opladere (kan sælges separat)

Opladeren er udviklet til en specifik spænding. Kontroller altid, at netspændingen svarer til spændingen på typeskiltet og oplysningerne i den tekniske datatabel.

Advarsel! Forsøg aldrig at erstatte opladerenheden med et almindeligt netstik.

- ◆ Brug kun din BLACK+DECKER-lader til at oplade batteriet i det apparat/værktøj, som den blev leveret sammen med. Andre batterier kan eksplodere og forårsage kvæstelser og materielle skader.
- ◆ Forsøg aldrig at oplade ikke-genopladelige batterier.
- ◆ Hvis netledningen beskadiges, skal den udskiftes af producenten eller et autoriseret BLACK+DECKER-værksted, så farlige situationer undgås.

- ◆ Opladeren må ikke udsættes for fugt.
- ◆ Opladeren må ikke åbnes.
- ◆ Opladeren må ikke undersøges.
- ◆ Apparatet/værktøjet/batteriet skal anbringes et sted med god udluftning, når det oplades.

Elektricitet og sikkerhed

Symboler på opladeren



Læs hele vejledningen omhyggeligt, før du bruger apparatet.



Dette værktøj er dobbelt isoleret, derfor er en jordledning ikke nødvendig. Kontrollér altid, at strømforsyningen svarer til spændingen på mærkepladen.



Opladerens basisenhed er kun beregnet til indendørs brug.

Mærkater på apparatet

Apparatet er forsynet med følgende advarselssymboler samt datokoden



Læs hele vejledningen omhyggeligt, før du bruger apparatet

Funktioner

Udstyret har nogle eller alle af de efterfølgende funktioner.

1. On/off-knap
2. Opladningsåbning
3. Ladeindikator
4. Udløserknap til støvbeholderen
5. Klar støvbeholder
6. Cyklonisk filtersamling
7. Udløserknap til forlængerstangen
8. Forlængerstang
9. Gulvhoved (med indbygget gulvføler)
10. Udløserknap til tæppebanker
11. Revneværktøj
12. Batteri
- 12a. Oplader
13. Opbevaringsstation

Anvendelse

Opladning af batteriet (fig. A, B)

Den medfølgende standardoplader lader et helt afladet batteri op på ca. 5 timer

- ◆ Indsæt opladeren (12a) i en passende udgang, før batteripakken indsættes (12).
- ◆ Indsæt batteripakken (12) i opladeren (12a) som vist i figur A.
- ◆ Den grønne LED-lampe (12b) blinker for at vise, at batteriet oplades.
- ◆ Når opladningen er færdig, vil det blive angivet af den grønne LED (12b), som vil lyse konstant. Pakken er fuldt opladet og kan nu anvendes eller kan efterlades i opladeren.

Bemærk: Genoplad afladede batterier så hurtigt som muligt efter brug, da batteriets levetid ellers kan blive stærkt formindsket.

Bemærk: Du kan lade batteripakken sidde i laderen med den grønne LED tændt, så længe det ønskes. Opladeren holder batteripakken klar og fuldt opladet.

Vigtige bemærkninger om opladning

- ◆ Der kan opnås den længste levetid og bedste ydeevne, hvis batteripakken oplades, når lufttemperaturen er 18°-24°C. Oplad IKKE batteripakken i en lufttemperatur på under +4,5°C eller over +40,5°C. Dette er vigtigt og vil forhindre alvorlig beskadigelse af batteripakken.
- ◆ Opladeren og batteripakken kan blive for varm at røre ved under opladning. Dette er normalt og angiver ikke et problem. For at lette køling af batteripakken efter brug, undgå at placere opladeren eller batteripakken i varme omgivelser, som f.eks. i et metalskur eller i en uisolerede trailer.
- ◆ Hvis batteripakken ikke oplades ordentligt:
 - ◆ Kontroller strømstikket ved at tilslutte en lampe eller et andet.
 - ◆ Kontrollér for at se, om kontakten er tilsluttet til en lyskontakt, som slår strømmen fra, når du slukker for lysene.
 - ◆ Flyt opladeren og batteripakken til et sted, hvor den omgivende lufttemperatur er ca. 18°-24°C.
 - ◆ Hvis der stadig er opladningsproblemer, tag værktøjet, batteripakken og opladeren til dit lokale servicecenter.
- ◆ Batteripakken skal genoplades, når den ikke giver tilstrækkelig strøm til de opgaver, som tidligere let blev udført. FORTSÆT IKKE med at bruge den under disse forhold. Følg opladningsproceduren. Du kan også oplade en delvist brugt pakke, når du ønsker det uden nogen negativ indflydelse på batteripakken.
- ◆ Fremmede materialer af en ledende art som for eksempel, men ikke begrænset til ståluld, aluminiumsfolie eller anden koncentration af metalliske partikler skal holdes på afstand af opladerens huller. Tag altid stikket til opladeren ud fra kontakten, når der ikke er indsat en batteripakke. Tag stikket til opladeren ud før forsøg på at rengøre den.

- ◆ Frys ikke eller nedsænk opladeren i vand eller andre væsker.

Advarsel! Lad ikke nogen flydende væsker komme ind i opladeren. Forsøg aldrig at åbne batteripakken. Hvis batteripakkens plastikhus får brud eller revner, returner det til et servicecenter til genbrug.

Ladeindikator (fig. C)

Dette apparat indeholder en ladeindikator (3), som består af tre LED-lamper, der indikerer det resterende opladningsniveau i batteriet. Denne funktion er kun aktiveret, når støvsugeren er tændt, og når støvsugeren bliver opladet. Ladeindikatoren er en indikation af de omtrentlige niveauer af resterende spænding i batteriet.

LED-batteriidikatoren viser dig, hvor meget opladning der er tilbage, og advarer dig, når batteriet er lavt.

Den sidste LED blinker kontinuerligt, når der kun er meget lidt tid tilbage.

Bemærk: Ladeindikatoren giver kun en indikation af den opladning, der resterer i batteriet.

Den angiver ikke værktøjets funktionalitet og er underlagt variation baseret på produktkomponenter, temperatur og slutbrugeranvendelse.

Isætning og udtagning af batteriet (fig. D, E)

Advarsel! Sørg for, at støvsugeren er slukket, inden du monterer eller afmonterer batteriet.

Sådan installeres batteripakken

- ◆ Indsæt batteripakken (12) i støvsugeren (12c), indtil der høres et klik (figur D). Sørg for at batteripakken er helt skubbet ind og låst i position.

Sådan udtages batteripakken

- ◆ Tryk batteriets udløserknop (12d) ned som vist i figur E, og træk batteripakken ud af støvsugeren.

Samling (fig. F)

- ◆ Juster toppen af forlængerrøret (8) med støvsugerindgangen (7a), som vist på fig. F.
- ◆ Skub forlængerrøret (8) på støvsugerindgangen (7a), så det låses på plads.
- ◆ For at fjerne et forlængerrør skal du trykke på udløserknappen til forlængerrøret (7) og forsigtigt trække forlængerrøret af.

Advarsel! Når den ikke er i brug, skal enheden placeres med støvsugeren mod en væg, så et eventuelt utilsigtet fald af enheden kommer i kontakt med en væg og ikke personer eller kæledyr.

Anvendelse

Denne støvsuger kan bruges på en af to måder.

- ◆ Med forlængerrøret (8) og gulvmundstykket (9).
- ◆ Med revneværktøjet (11) og støvsugeren.

Montering af tilbehør (fig. G)

- ◆ Sprækkeforsatsen (11) bruges til støvsugning på smalle og svært tilgængelige steder.
- ◆ For at fastsætte revneværktøjet (11) skal du presse det ind i støvsugerindgangen (7a), så det låses på plads som vist i figur G.
- ◆ For at frigøre revneværktøjet (11) skal du trykke på udløserknappen til revneværktøjet (11a) og forsigtigt trække revneværktøjet af.

Start og stop (Fig. H)

- ◆ Tænd ved at trykke på tænd/sluk-knappen (1).
- ◆ Tryk igen på tænd/sluk-knappen (1) for øget effekt.
- ◆ Tryk på tænd/sluk-knappen (1) en tredje gang for at slukke enheden.

Bemærk: Ladeindikatorerne (3) lyser, når støvsugeren er tændt.

- ◆ Sluk værktøjet ved at skubbe tænd/sluk-knappen (1) til positionen "O".
- ◆ Oplad batteriet (12) med det samme efter brug, så det er klar og helt opladet til næste brug.

Floorsense

Floorsense er aktiv i den lave hastighed. Når der detekteres et tæppe, øges enhedens ydeevne automatisk til høj hastighed. Når der detekteres et hårdt gulv, reduceres enhedens ydeevne til lav hastighed.

Rengøring og tømning af støvsugeren

Advarsel! Projekttil-/åndedrætsfare: Støvsugeren må aldrig bruges uden dets filter.

Advarsel! Filteret er genanvendeligt. Det må ikke forveksles med en engangsstøvsugerpose, og det skal ikke smides væk, når produktet tømmes. Vi anbefaler, at du udskifter filteret hver 6.-9. måned, afhængigt af hvor ofte det bruges.

Sådan tømmes støvbeholderen (fig. I, J, K, L)

- ◆ Tryk udløserknappen til støvbeholderen (4) ned for at frigive og fjerne støvbeholderen (5) fra støvsugeren.
- ◆ Brug din pegefinger og tommelfinger til at knibe filterhusets tapper og trække filterhuset (6) ud af støvbeholderen, som vist på figur I.
- ◆ Hold støvbeholderen over en skraldespand, og tøm støvbeholderen, som vist på figur J.
- ◆ Fjern skumfilteret (6a) fra filteret, som vist på figur K.
- ◆ Ryst eller børst let eventuelt løst støv væk fra skumfilteret (6a) og filteret (6).
- ◆ Vask støvbeholderen (5) ren med varmt sæbevand.
- ◆ Vask filterne med varmt sæbevand.

- ◆ Sørg for, at filtrene er helt tørre, inden du sætter filtrene på plads i filterhuset.
- ◆ Genmonter det rene og tørre skumfilter (6a) i filterhuset (6).
- ◆ Installér filterhuset i støvbeholderen (5).
- ◆ Installér støvbeholderen på vakuumpet, indtil den "klikker" godt på plads.

Fjernelse og rengøring af tæppebankeren (fig. M, N)

Advarsel! For at reducere risikoen for personskade fra dele i bevægelse skal gulvmundstykket og forlængerrøret kobles fra støvsugeren inden rengøring eller service.

- ◆ For at fjerne tæppebankeren (9b) fra gulvmundstykket (9) skal du skubbe udløserknappen til tæppebankeren (9a) til bagsiden af enheden.
- ◆ Tæppebankeren (9b) kan nu fjernes og rengøres.

Sikker opbevaring (fig. O)

Enheden kan opbevares sikkert, når den ikke er i brug, ved at placere hagen på bagsiden af motorenheden på opbevaringsstationen (13), som vist i figur O.

Problemløsning

Problem	Mulig årsag	Mulig løsning
Enheden vil ikke starte.	Batteriet er ikke installeret korrekt. Batteri ikke opladet.	Kontroller installationen af batteriet. Kontroller kravene til opladning af batteriet
Batteriet kan ikke oplades.	Batteri er ikke sat i opladeren. Opladeren er ikke tilsluttet.	Indsæt batteriet i opladeren, indtil LED vises. Slut opladeren til en fungerende stikkontakt. Se "Vigtige bemærkninger om opladning" for flere detaljer. Kontroller strømstikket ved at tilslutte en lampe eller et andet apparat. Kontroller for at se om kontakten er tilsluttet til en lyskontakt, som slår strømmen fra, når du slukker for lyset. Flyt opladeren og værktøjet til en omgivende lufttemperatur på over 4,5°C eller under +40,5°C.
	Omgivende lufttemperatur for varm eller for kold.	

Advarsel! Før udførelse af nogen form for vedligeholdelse af apparater uden ledning:

- ◆ Aflad batteriet helt, hvis det er indbygget, og sluk derefter.
- ◆ Træk opladeren ud af stikkontakten, før den rengøres. Opladeren kræver ingen vedligeholdelse, men skal rengøres jævnligt.
- ◆ Rengør jævnligt apparatets/laderens ventilationshuller med en blød børste eller en tør klud.
- ◆ Rengør med jævne mellemrum motorhuset med en fugtig klud. Der må ikke bruges skuremidler eller opløsningsmidler.

Udskiftning af filtrene

Filtrene skal udskiftes hver 6. til 9. måned, og i øvrigt, hvis de bliver slidte eller beskadiget. Udskiftningsfiltre fås hos BLACK+DECKER-forhandleren.

- ◆ Tag de gamle filtre ud, som beskrevet i det foregående.
- ◆ Sæt de nye filtre i, som beskrevet i det foregående.

Miljøbeskyttelse



Særskilt bortskaffelse. Produkter og batterier mærket med dette symbol må ikke bortskaffes sammen med normalt husholdningsaffald.

Produkter og batterier indeholder materialer, der kan genvindes eller genbruges og således reducere efterspørgslen efter råvarer.

Genbrug venligst elektriske produkter og batterier i henhold til lokale bestemmelser. Yderligere informationer findes på www.2helpU.com

Tekniske data

	BHFEA18	BHFEA18D
Spænding	18v	18v
Watt timer	36 Wh (18 V, 2,0 Ah batteripakke)	36 Wh (18 V, 2,0 Ah batteripakke)
Ladetider ca	5 timer	5 timer
Vægt	2,4 kg tom enhed - 2,8 kg med batteri	2,4 kg tom enhed - 2,8 kg med batteri

Oplader		S010**2400040/ SSC-250040**	S018***1800100/ SSC-200100**
Indgangsspænding	V_{AC}	100 - 240	220 - 240
Udgangsspænding	V_{DC}	8 - 20	8 - 20
Strømstyrke	mA	400	1000
Ladetid ca.	Timer	3 - 5	1 - 5

Batteri		BL1518	BL2018	BL4018
Spænding	V_{AC}	18	18	18
Kapacitet	Ah	1,5	2,0	4,0
Type		Li-Ion	Li-Ion	Li-Ion

Vedligeholdelse

Dit Black & Decker-apparat uden ledning er beregnet til at fungere i en længere periode med minimal vedligeholdelse. Vedvarende tilfredsstillende funktion er afhængig af, om apparatet plejes korrekt og rengøres regelmæssigt.

Garanti

Black & Decker er overbevist om den gode kvalitet af sine produkter og giver forbrugerne en garanti på 24 måneder fra købsdatoen. Garantien er et tillæg til forbrugerens lovmæssige rettigheder og påvirker ikke disse. Garantien er gyldig inden for medlemsstaterne af Den Europæiske Union og Det Europæiske Frihandelsområde.

Når du gør krav på garantien, skal kravet være i overensstemmelse med Black&Decker vilkår og betingelser, og du skal indsende dokumentation for købet til sælgeren eller til en autoriseret reparatør. Vilkår og betingelser for Black & Decker 2 års garanti og placeringen af dit nærmeste autoriserede serviceværksted kan fås på internettet på www.2helpU.com, eller ved at kontakte dit lokale Black & Decker kontor på den adresse, der er angivet i denne vejledning.

Besøg venligst vores websted www.blackanddecker.co.uk for at registrere dit nye Black & Decker produkt og modtage opdateringer om nye produkter og specielle tilbud.

Käyttötarkoitus

Akkutoimitiset BLACK+DECKER BHFEA18, BHFEA18D1 -pölynimurit on tarkoitettu imuroimiseen. Laite on tarkoitettu ainoastaan kotitalouskäyttöön.



Lue nämä ohjeet huolellisesti ennen laitteen käyttöä.

Turvallisuusohjeet



Varoitus! Lue kaikki turvallisuusvaroitukset ja ohjeet. Alla olevien varoitusten ja ohjeiden noudattamisen laiminlyönti saattaa johtaa sähköiskuun, tulipaloon ja/tai vakavaan loukkaantumiseen.

- ◆ Käyttötarkoitus kuvataan näissä ohjeissa. Muiden kuin ohjeissa suositeltujen lisävarusteiden tai -osien käyttö sekä laitteen käyttö muuhun kuin oppaassa suositeltuun tarkoitukseen voi aiheuttaa henkilövahingon vaaran.

- ◆ Säilytä nämä käyttöohje tulevaa tarvetta varten.

Laitteen käyttö

- ◆ Älä käytä laitetta nesteiden tai syttyvien materiaalien keräämiseen.
- ◆ Ei saa käyttää ilman pölypussia ja/tai suodattimia.
- ◆ Älä käytä laitetta veden lähellä.
- ◆ Älä upota laitetta veteen.
- ◆ Älä koskaan irrota laturia pistorasiasta vetämällä virtajohtosta. Pidä laturin virtajohto etäällä lämmönlähteistä, öljystä ja terävistä reunoista.
- ◆ Tämä laite soveltuu yli 8-vuotiaiden lasten ja sellaisten henkilöiden käyttöön, joilla on fyysisiä, aistillisia tai henkisiä rajoitteita tai puutteellinen kokemus tai tuntemus, jos heitä valvotaan tai jos he ovat saaneet laitteen turvalliseen käyttöön liittyvää opastusta ja ymmärtävät laitteen käyttöön liittyvät vaarat. Älä anna lasten leikkiä laitteella. Puhdistus- ja huoltotöitä ei saa jättää lapsille ilman valvontaa.

Tarkastus ja korjaus

Tarkista ennen laitteen käyttöä, ettei laitteessa ole vahingoittuneita tai viallisia osia. Tarkista osien ja kytkimien kunto sekä muut seikat, jotka voivat vaikuttaa laitteen toimintaan.

- ◆ Älä käytä laitetta, jos jokin osa on vahingoittunut tai viallinen.
- ◆ Korjauta tai vaihdata vaurioituneet tai vialliset osat valtuutetussa huoltoliikkeessä.

- ◆ Tarkista säännöllisesti, ettei laturin virtajohto ole vahingoittunut. Vaihda laturi, jos virtajohto on vahingoittunut tai viallinen.
- ◆ Älä yritä korjata tai vaihtaa muita kuin tässä käyttöohjeessa erikseen määriteltyjä osia.

Lisäturvaohjeet

Käytön jälkeen

- ◆ Irrota laturi pistorasiasta ennen laturin tai lataustelineen puhdistamista.
- ◆ Kun laitetta ei käytetä, se on säilytettävä kuivassa paikassa.
- ◆ Pidä laite lasten ulottumattomissa.

Jäännösriskit

Myös muut kuin turvavaroituksissa mainitut riskit ovat mahdollisia laitetta käytettäessä. Nämä riskit voivat liittyä muun muassa virheelliseen tai pitkäaikaiseen käyttöön. Tiettyjä jäännösriskejä ei voi välttää, vaikka noudatat kaikkia turvamääräyksiä ja käytät turvalaitteita. Näitä ovat:

- ◆ Pyörivien tai liikkuvien osien koskettamisen aiheuttamat vahingot.
- ◆ Osia, teriä tai lisävarusteita vaihdettaessa aiheutuneet vahingot.
- ◆ Laitteen pitkäaikaisen käytön aiheuttamat vahingot. Varmista, että pidät säännöllisesti taukoja laitteen pitkäaikaisen käytön aikana.
- ◆ Kuulon heikkeneminen.

- ◆ Laitetta käytettäessä (esimerkiksi puuta, erityisesti tammea, pyökkiä ja MDF-levyjä, käsiteltäessä) syntyneen pölyn sisäänhengityksen aiheuttamat terveysriskit).

Akut/paristot ja laturit

Akut/paristot (myynnissä myös erikseen)

- ◆ Ladattavat akut/paristot tulee irrottaa laitteesta ennen niiden lataamista.
- ◆ Varmista akkujen/paristojen oikea napaisuus.
- ◆ Tyhjä akut/paristot tulee irrottaa laitteesta ja hävittää turvallisesti.
- ◆ Jos laite varastoidaan pitkäksi aikaa, akut/paristot tulee poistaa.
- ◆ Napoja ei saa asettaa oikosulkuun.
- ◆ Älä koskaan yritä avata mistään syystä.
- ◆ Älä anna akun kastua.
- ◆ Älä altista akkua kuumuudelle.
- ◆ Älä säilytä akkuja tiloissa, joissa lämpötila voi nousta yli 40 °C:een.
- ◆ Lataa akku paikassa, jonka lämpötila on vähintään 10 °C ja enintään 40 °C.
- ◆ Käytä akun lataamiseen vain laitteen/työkalun mukana toimitettua laturia. Väärän tyyppinen laturi voi aiheuttaa sähköiskun tai akun ylikuumenemisen.
- ◆ Noudata akkujen hävittämisessä Ympäristönsuojelu-kohdassa esitettyjä ohjeita.
- ◆ Suojaa akkua vahingoittumiselta niin, ettei sen kotelo rikkoudu eikä siihen kohdistu iskuja, sillä muutoin voi syntyä henkilövahinkojen ja tulipalon vaara.

- ♦ Älä lataa viallisia akkuja.
- ♦ Vaativissa oloissa voi ilmetä paristovuotoja. Jos havaitset akkujen pinnalla nestettä, pyyhi se huolellisesti pois. Vältä ihokosketusta.
- ♦ Jos nestettä joutuu silmiin tai iholle, noudata jäljempänä olevia ohjeita.

Varoitus! Akkuneste voi aiheuttaa aineellisia vahinkoja tai henkilövahinkoja. Jos nestettä joutuu iholle, se on välittömästi huuhdeltava pois vedellä. Jos ihoa kirvelee tai se punottaa tai on muuten ärtynyt, kysy lisäohjeita lääkäriltä. Jos nestettä joutuu silmiin, huuhto välittömästi puhtaalla vedellä ja mene lääkäriin.

Laturit (myynnissä myös erikseen)

Laturi on tarkoitettu tietylle jännitteelle. Tarkista aina, että verkkojännite vastaa arvokilvessä ilmoitettua jännitettä ja teknisten tietojen taulukossa annettuja tietoja.

Varoitus! Älä yritä vaihtaa laturiin tavallista verkkovirran pistoketta.

- ♦ Käytä BLACK+DECKER -laturia vain laitteen/työkalun mukana toimitetun akun lataamiseen. Muut akut voivat räjähtää ja aiheuttaa henkilövahinkoja tai aineellisia vahinkoja.
- ♦ Älä koskaan yritä ladata akkuja, joita ei ole tarkoitettu ladattaviksi.
- ♦ Jos virtajohto vahingoittuu, sen vaihtaminen on turvallisuussyistä jätettävä valmistajan tai valtuutetun BLACK+DECKER-huollon tehtäväksi.
- ♦ Suojaa laturi vedeltä.

- ♦ Älä avaa laturia.
- ♦ Älä työnnä mitään laturin sisään.
- ♦ Lataa laite/työkalu/akku paikassa, jossa on kunnollinen ilmanvaihto.

Sähköturvallisuus

Laturin symbolit



Lue tämä käyttöopas huolellisesti ennen laitteen käyttöä.



Tämä työkalu on kaksoiseristetty, joten erillistä maadoitusta ei tarvita. Tarkista aina, että verkkovirran jännite vastaa tyyppikilpeen merkittyä jännitettä.



Laturi on tarkoitettu ainoastaan sisäkäyttöön.

Laitteessa olevat merkinnät

Laitteeseen on merkitty päivämääräkoodi sekä seuraavat symbolit:



Lue tämä käyttöopas huolellisesti ennen laitteen käyttöä

Yleiskuvaus

Tässä laitteessa on joitakin tai kaikki seuraavista ominaisuuksista.

1. Virtakytkin
2. Latausportti
3. Varaustilan merkivalo
4. Pölysäiliön vapautuspainike
5. Läpinäkyvä pölysäiliö
6. Sykloninen suodatin
7. Pidennystangon vapautuspainike
8. Pidennystanko
9. Lattiasuulake (integroidulla lattian tunnistustoiminnolla)
10. Harjarullan vapautuspainike
11. Rakosuulake
12. Akku
- 12a. Laturi
13. Säilytysasema

Käyttö

Akun lataaminen (kuvat A, B)

Toimitettu vakiomallinen laturi lataa kokonaan tyhjän akun täyteen noin 5 tunnissa.

- ♦ Yhdistä laturi (12a) sopivaan pistorasiaan ennen kuin laitat siihen akun (12).

- ◆ Aseta akku (12) laturiin (12a) kuvan A mukaisesti.
- ◆ Vihreä LED-merkkivalo (12b) vilkkuu käynnissä olevan latauksen merkiksi.
- ◆ Kun lataus on valmis, vihreä LED-valo (12b) jää palamaan jatkuvasti. Akku on täysin ladattu ja sitä voidaan käyttää heti tai sen voi jättää laturiin.

Huomautus: Lataa tyhjennetyt akut mahdollisimman pian käytön jälkeen, muutoin akun käyttöikä voi lyhentyä.

Huomautus: Akku voidaan jättää laturiin, kun vihreä merkkivalo palaa.

Laturi pitää akun käyttövalmiina ja ladattuna.

Tärkeitä huomautuksia lataamiseen

- ◆ Pisin käyttöikä ja paras suorituskyky saavutetaan, kun akkua ladataan lämpötilassa 18 °C - 24 °C. ÄLÄ lataa akkua alle +4,5 °C tai yli +40,5 °C lämpötilassa. Tämä on tärkeää ja se estää akun vakavat vauriot.
- ◆ Laturi ja akku voivat kuumentua latauksen aikana. Tämä on normaalia, eikä ole osoitus ongelmasta. Jotta akku jäähtyisi käytön jälkeen, vältä asettamasta laturia tai akkua lämpimään ympäristöön, kuten metallikoteloon tai eristämättömän perävaunun päälle.
- ◆ Jos akku ei lataudu oikein:
 - ◆ Tarkista pistorasian sähkövirta kytkemällä siihen lamppu tai jokin muu laite.
 - ◆ Tarkista valojen sammuttamisen yhteydessä, että pistorasia on liitetty virran katkaisevaan valokytkimeen.
 - ◆ Siirrä laturi ja akku paikkaan, jossa ympäristölämpötila on noin 18 °C - 24 °C.
 - ◆ Jos latausongelmat jatkuvat, vie työkalu akun ja laturin ohella paikalliseen huoltopalveluun.
- ◆ Akku täytyy ladata uudelleen, kun se ei enää tuota riittävää tehoa töissä, joka voitiin aikaisemmin tehdä helposti. ÄLÄ JATKA TYÖKALUN KÄYTTÖÄ näissä olosuhteissa. Noudata latausohjeita. Voit halutessasi myös ladata osittain käytetyn akun milloin tahansa, ilman että siitä olisi haittaa akulle.
- ◆ Vieraat johtavat aineet, kuten teräsilla, alumiinifolio tai metallihiukkaskertymät, niihin kuitenkin rajoittumatta, on pidettävä poissa laturin aukoista. Irrota laturi aina tehonsyötöstä, kun laturissa ei ole akkua. Irrota laturi tehonsyötöstä ennen kuin yrität puhdistaa sitä.
 - ◆ Älä pakasta tai upota laturia veteen tai muihin nesteisiin.

Varoitus! Älä päästä nestettä laturin sisään. Älä koskaan yritä avata akkua mistään syystä.

Jos akun muovikotelo rikkoutuu tai halkeaa, palauta se huoltopalveluun kierrätystä varten.

Varaustilan merkkivalo (kuva C)

Tässä laitteessa on varaustilan merkkivalo (3), jonka kolme LED-valoa osoittavat akun jäljellä olevan varaustason. Tämä toiminto aktivoituu, kun imuri on kytketty päälle ja sitä ladataan.

Varaustilan merkkivalo ilmoittaa akun jäljellä olevan varaustason likimääräisesti.

Akun LED-merkkivalo näyttää jäljellä olevan virtatason ja varoittaa alhaisesta akkuvirran tasosta. Lopuksi LED-merkkivalo vilkkuu jatkuvasti, kun jäljellä on vain vähän käyttöaikaa.

Huomautus: Varaustilan merkkivalo ilmoittaa ainoastaan akun jäljellä olevan virtatason.

Se ei osoita laitteen toiminnallisuutta ja se voi vaihdella tuoteosien, lämpötilan ja loppukäyttäjän käytön mukaan.

Akun asentaminen ja irrottaminen (kuvat D, E)

Varoitus! Varmista, että imuri on kytketty pois päältä ennen akun poistamista tai asentamista.

Akun asentaminen

- ◆ Aseta akku (12) imuriin (12c), kunnes kuulet napsahduksen (kuva D). Varmista, että akku on kokonaan paikoillaan ja lukittu paikoilleen.

Akun irrottaminen

- ◆ Paina akun vapautuspainiketta (12d) kuvan E mukaisesti ja vedä akku irti imurista.

Asennus (kuva F)

- ◆ Kohdista jatkoputken (8) yläosa imuaukkoon (7a) kuvan F mukaisesti.
- ◆ Paina jatkoputki (8) imuaukkoon (7a) niin, että se lukittuu paikoilleen.
- ◆ Irrota jatkoputki painamalla jatkoputken vapautuspainiketta (7) ja vetämällä kevyesti jatkoputki irti.

Varoitus! Kun laitetta ei käytetä, aseta se imurin takaosa seinään päin niin, että mahdollisen kaatumisen yhteydessä laite osuu seinään eikä ihmisiin tai kotieläimiin.

Käyttö

Tätä imuria voidaan käyttää kahdella eri tavalla.

- ◆ Jatkoputkella (8) ja lattiasuulakkeella (9).
- ◆ Rakosuulakkeella (11) ja imurilla.

Tarvikkeiden asentaminen (kuva G)

- ◆ Rakosuulake (11) mahdollistaa kapeiden ja vaikeapääsyisten paikkojen imuroimisen.
- ◆ Voit kiinnittää rakosuulakkeen (11) painamalla sen imurin imuaukkoon (7a) ja lukitsemalla sen kuvan G mukaisesti.
- ◆ Voit irrottaa rakosuulakkeen (11) painamalla rakosuulakkeen vapautuspainiketta (11a) ja vetämällä kevyesti rakosuulakkeen irti.

Käynnistys ja sammutus (kuva H)

- ◆ Käynnistä laite painamalla virtakytkintä (1).
- ◆ Voit lisätä tehoa painamalla virtakytkintä (1) uudelleen.
- ◆ Paina virtakytkintä (1) laitteen sammuttamiseksi.

Huomautus: Varaustilan LED-merkkivalot (3) syttyvät imurin ollessa päällä.

- ◆ Sammuta laite siirtämällä virtakytkin (1) "O"-asentoon.
- ◆ Lataa akku (12) heti käytön jälkeen, jotta se on valmis ja täyteen ladattu seuraavan käyttökerran yhteydessä.

Lattian tunnistustoiminto

Lattian tunnistustoiminto toimii alhaisella nopeudella. Kun toiminto tunnistaa maton, laitteen teho kasvaa automaattisesti. Kun toiminto tunnistaa kovan lattian, laitteen teho laskee alhaiselle tasolle.

Imurin puhdistaminen ja tyhjentäminen

Varoitus! Sinkoutumis-/hengitysvaara: Älä koskaan käytä imuria ilman sen suodatinta.

Varoitus! Suodatinta voidaan käyttää uudelleen, sitä ei saa sekoittaa kertakäyttöiseen pölypussiin eikä sitä saa heittää pois tuotteen tyhjentämisen yhteydessä. Suodatin on suositeltavaa vaihtaa 6-9 kuukauden välein käyttötiheydestä riippuen.

Pölysäiliön tyhjentäminen (kuvat I, J, K, L)

- ◆ Paina pölysäiliön vapautuspainiketta (4) pölysäiliön (5) irrottamiseksi ja poistamiseksi imurista.
- ◆ Purista suodatinkotelon kielekkeitä etusormella ja peukalolla ja vedä suodatinkotelo (6) pölysäiliöstä irti kuvan I mukaisesti.
- ◆ Aseta pölysäiliö roskakorin päälle ja tyhjennä pölysäiliö kuvan J mukaisesti.
- ◆ Irrota vaahtosuodatin (6a) suodatinkotelosta kuvan K mukaisesti.
- ◆ Poista irtonainen pöly vaahtosuodattimesta (6a) ja suodattimesta (6) ravistamalla tai harjan avulla.
- ◆ Huuhtelee pölysäiliö (5) lämpimällä saippuavedellä.
- ◆ Pese suodattimet lämpimällä saippuavedellä.
- ◆ Varmista, että suodattimet ovat täysin kuivia ennen niiden asentamista takaisin suodatinkoteloon.
- ◆ Asenna puhdas ja kuiva vaahtosuodatin (6a) takaisin suodatinkoteloon (6).
- ◆ Asenna suodatinkotelo pölysäiliöön (5).
- ◆ Asenna pölysäiliö imuriin, kunnes se napsahtaa hyvin paikoilleen.

Harjarullan irrottaminen ja puhdistaminen (kuvat M, N)

Varoitus! Jotta liikkuvat osat eivät aiheuttaisi henkilövahinkoja, irrota lattiasuulake ja jatkoputki imurista ennen puhdistusta tai huoltoa.

- ◆ Poista harjarulla (9b) lattiasuulakkeesta (9) siirtämällä harjarullan vapautuspainike (9a) laitteen takaosaan.
- ◆ Harjarulla (9b) voidaan nyt poistaa ja puhdistaa.

Turvallinen säilytys (kuva O)

Kun tätä laitetta ei käytetä, säilytä sitä turvallisesti asettamalla moottoriryksikön takana oleva kiinnitin säilytysasemaan (13) kuvan O mukaisesti.

Vianetsintä

Ongelma	Mahdollinen syy	Mahdollinen ratkaisu
Laitte ei käynnisty.	Akkua ei ole asennettu oikein. Akku ei ole latautunut.	Tarkista akun asennus. Tarkista akun latausvaatimukset
Akku ei lataudu.	Akkua ei ole asetettu laturiin. Laturia ei ole kytketty pistorasiaan. Ympäristölämpötila on liian korkea tai liian alhainen.	Aseta akku laturiin, kunnes LED-valo syttyy. Kytke laturi pistorasiaan. Katso lisätietoa osiosta "Tärkeitä huomautuksia lataamiseen". Tarkista pistorasian sähkövirta kytkemällä siihen lamppu tai jokin muu laite. Tarkista valojen sammuttamisen yhteydessä, onko virran katkaisevaa valokytintä liitetty pistorasiaan. Siirrä laturi ja työkalu yli 4,5 °C ja alle +40,5 °C ympäristölämpötilaan.

Huolto

BLACK+DECKERin johdotoon laite on suunniteltu toimimaan mahdollisimman pitkän aikaa mahdollisimman vähällä huollolla. Oikea käsittely ja säännöllinen puhdistus varmistavat laitteen ongelmattoman toiminnan.

Varoitus! Toimi ennen akkutoimisten laitteiden huoltoa seuraavasti:

- ◆ Jos akku on kiinteä, käytä akku täysin loppuun ja sammuta laite sitten.
- ◆ Irrota laturi pistorasiasta ennen laturin puhdistamista. Laturi ei tarvitse säännöllisen puhdistamisen lisäksi mitään muuta huoltoa.
- ◆ Puhdista laitteen/laturin ilma-aukot säännöllisesti pehmeällä harjalla tai kuivalla kangasliinalla.
- ◆ Puhdista moottorin kotelo säännöllisesti kostealla liinalla. Älä käytä hankaavia tai liuotinpohjaisia puhdistusaineita.

Suodattimien vaihtaminen

Suodattimet on hyvä vaihtaa 6–9 kuukauden välein ja aina, kun ne ovat kuluneet tai vahingoittuneet. Vaihtosuodattimia saat BLACK+DECKER-jälleenmyyjältä.

- ◆ Poista vanhat suodattimet yllä kuvatulla tavalla.
- ◆ Aseta uudet suodattimet paikalleen yllä kuvatulla tavalla.

Ympäristönsuojelu



Toimita tämä laite erilliskeräykseen. Tällä symbolilla merkityt tuotteita ja akkuja ei saa hävittää tavallisen kotitalousjätteen mukana.

Tuotteissa ja akuissa on materiaaleja, jotka voidaan ottaa talteen tai kierrättää uudelleen käyttöä varten.

Kierrätä sähkölaitteet ja akut paikallisten määräyksien mukaan. Lisätietoa on saatavilla osoitteessa www.2helpU.com

Tekniset tiedot

	BHFEA18	BHFEA18D
Jännite	18 V	18 V
Wattituntia	36 Wh (18 V 2,0 ah akku)	36 Wh (18 V 2,0 ah akku)
Arvioitu latausaika	5 tuntia	5 tuntia
Paino	2,4 kg yksinomaan laite - 2,8 kg akulla varustettu laite	2,4 kg yksinomaan laite - 2,8 kg akulla varustettu laite

Laturi		S010**2400040/ SSC-250040**	S018***1800100/ SSC-200100**
Tulojännite	V _{AC}	100 - 240	220 - 240
Lähtöjännite	V _{DC}	8 - 20	8 - 20
Virta	mA	400	1000
Arvioitu latausaika	Tuntia	3 - 5	1 - 5

Akku		BL1518	BL2018	BL4018
Jännite	V _{AC}	18	18	18
Teho	Ah	1,5	2,0	4,0
Tyyppi		Li-Ion	Li-Ion	Li-Ion

Takuu

Black & Decker on vakuuttanut tuotteidensa korkeasta laadusta ja tarjoaa kuluttajille 24 kuukauden takuun, joka astuu voimaan ostopäivänä. Takuu on lisäys kuluttajan laillisiin oikeuksiin eikä vaikuta niihin. Tämä takuu on voimassa kaikissa EU- ja ETA-maissa.

Edellytyksenä takuun saamiselle on, että vaade täyttää Black & Deckerin ehdot ja että ostaja toimittaa ostotositteen jälleenmyyjälle tai valtuutetulle huoltoliikkeelle. Black&Deckerin kahden vuoden takuun ehdot ja lähimmän valtuutetun korjauspalvelun yhteystiedot ovat saatavilla osoitteessa www.2helpU.com tai ottamalla yhteyttä paikalliseen Black & Deckerin toimipisteeseen tässä ohjekirjassa ilmoitettuihin osoitteisiin.

Käy verkkosivuiltamme osoitteessa www.blackanddecker.fi ja rekisteröi uusi Black & Decker -tuotteesi saadaksesi tietoa uusista tuotteista ja erikoistarjouksista.

Προβλεπόμενη χρήση

Η ηλεκτρική σκούπα μπαταρίας BLACK+DECKER BHFEA18, BHFEA18D1 έχει σχεδιαστεί για ηλεκτρικό σκούπισμα. Αυτή η συσκευή προορίζεται μόνο για οικιακή χρήση.



Διαβάστε προσεκτικά όλο το περιεχόμενο αυτού του εγχειριδίου πριν χρησιμοποιήσετε τη συσκευή.

Οδηγίες ασφαλείας



Προειδοποίηση! Διαβάστε όλες τις προειδοποιήσεις ασφαλείας και όλες τις οδηγίες. Η μη τήρηση των

παρακάτω προειδοποιήσεων και οδηγιών μπορεί να προκαλέσει ηλεκτροπληξία, πυρκαγιά και/ή σοβαρές σωματικές βλάβες.

- Η προβλεπόμενη χρήση περιγράφεται στο παρόν εγχειρίδιο. Τόσο η χρήση αξεσουάρ ή προσαρτημάτων, όσο και η πραγματοποίηση με αυτή τη συσκευή οποιασδήποτε εργασίας, πέραν αυτών που συνιστώνται στο παρόν εγχειρίδιο οδηγιών, μπορεί να εγκυμονεί κίνδυνο σωματικών βλαβών.
- Φυλάξτε αυτό το εγχειρίδιο για μελλοντική αναφορά.

Χρήση της συσκευής

- Μη χρησιμοποιείτε τη συσκευή για να περισυλλέξετε υγρά ή άλλα υλικά που θα μπορούσαν να πιάσουν φωτιά.
- Μη χρησιμοποιείτε τη συσκευή χωρίς σάκο συλλογής σκόνης και/ή φίλτρα στη θέση τους.

- ♦ Μη χρησιμοποιείτε τη συσκευή κοντά σε νερό.
- ♦ Μη βυθίζετε τη συσκευή σε νερό.
- ♦ Ποτέ μην αποσυνδέετε τον φορτιστή από την πρίζα τραβώντας τον από το καλώδιο.

Διατηρείτε το καλώδιο φορτιστή σε απόσταση από πηγές θερμότητας, λάδια και κοφτερές αιχμές.

- ♦ Αυτή η συσκευή μπορεί να χρησιμοποιηθεί από παιδιά ηλικίας 8 ετών και άνω καθώς και από άτομα με μειωμένες σωματικές, αισθητηριακές ή διανοητικές ικανότητες ή άτομα χωρίς εμπειρία και γνώσεις, μόνο εφόσον τα άτομα αυτά επιτηρούνται ή τους έχουν δοθεί οδηγίες σχετικά με την ασφαλή χρήση της συσκευής και έχουν κατανοήσει τους πιθανούς κινδύνους. Τα παιδιά δεν πρέπει να παίζουν με τη συσκευή. Ο καθαρισμός και η συντήρηση από τον χρήστη δεν πρέπει να γίνονται από παιδιά χωρίς επίβλεψη.

Έλεγχος και επισκευές

Πριν από τη χρήση, ελέγξτε τη συσκευή σας για τυχόν εξαρτήματα που παρουσιάζουν ζημιά ή βλάβη.

Ελέγξτε αν υπάρχουν σπασμένα εξαρτήματα, ζημιά σε διακόπτες και οτιδήποτε άλλο μπορεί να επηρεάσει τη λειτουργία της.

- ♦ Μη χρησιμοποιήσετε τη συσκευή αν οποιοδήποτε εξάρτημά της έχει υποστεί ζημιά ή βλάβη.

- ♦ Φροντίζετε η επισκευή ή αντικατάσταση των εξαρτημάτων που τυχόν έχουν υποστεί ζημιά ή βλάβη να γίνεται από εξουσιοδοτημένο αντιπρόσωπο επισκευών.
- ♦ Να ελέγχετε τακτικά την κατάσταση του καλωδίου του φορτιστή. Σε περίπτωση που το καλώδιο του φορτιστή παρουσιάζει ζημιά ή ελάττωμα, αντικαταστήστε τον φορτιστή.
- ♦ Μην επιχειρήσετε ποτέ να αφαιρέσετε ή να αντικαταστήσετε οποιοδήποτε εξάρτημα, εκτός από αυτά που καθορίζονται στο παρόν εγχειρίδιο.

Πρόσθετες οδηγίες ασφαλείας

Μετά τη χρήση

- ♦ Πριν καθαρίσετε τον φορτιστή ή τη βάση φόρτισης αποσυνδέστε τον/την από την πρίζα.
- ♦ Όταν η συσκευή δεν χρησιμοποιείται, πρέπει να φυλάσσεται σε ξηρό χώρο.
- ♦ Τα παιδιά δεν πρέπει να έχουν πρόσβαση σε αποθηκευμένες συσκευές.

Υπολειπόμενοι κίνδυνοι

Κατά τη χρήση του εργαλείου μπορεί να δημιουργηθούν πρόσθετοι υπολειπόμενοι κίνδυνοι, οι οποίοι ενδέχεται να μη συμπεριλαμβάνονται στις προειδοποιήσεις ασφαλείας που εσωκλείονται. Αυτοί οι κίνδυνοι μπορεί να προκληθούν από κακή χρήση, παρατεταμένη χρήση κλπ.

Παρά την εφαρμογή των σχετικών κανονισμών ασφαλείας και τη χρήση διατάξεων ασφαλείας, ορισμένοι υπολειπόμενοι κίνδυνοι δεν είναι δυνατό να αποφευχθούν. Σε αυτούς περιλαμβάνονται:

- ♦ Τραυματισμοί από επαφή με οποιαδήποτε περιστρεφόμενα/κινούμενα μέρη.
- ♦ Τραυματισμοί κατά την αλλαγή οποιωνδήποτε εξαρτημάτων, λαμών ή αξεσουάρ.
- ♦ Σωματικές βλάβες από παρατεταμένη χρήση εργαλείου. Όταν χρησιμοποιείτε οποιοδήποτε εργαλείο για παρατεταμένα χρονικά διαστήματα, μην παραλείπετε με κανένα τρόπο να κάνετε τακτικά διαλείμματα.
- ♦ Βλάβη της ακοής.
- ♦ Κίνδυνοι στην υγεία που προκαλούνται από την εισπνοή σκόνης όταν χρησιμοποιείτε το εργαλείο (παράδειγμα: - όταν επεξεργάζεστε ξύλο, ειδικά δρυ, οξιά και MDF).

Μπαταρίες και φορτιστές

Μπαταρίες (μπορεί να πωλούνται ξεχωριστά)

- ♦ Οι επαναφορτιζόμενες μπαταρίες πρέπει να αφαιρούνται από τη συσκευή πριν φορτιστούν.
- ♦ Οι μπαταρίες πρέπει να εισάγονται με τη σωστή πολικότητα.
- ♦ Οι εξαντλημένες μπαταρίες πρέπει να αφαιρούνται από τη συσκευή και να απορρίπτονται με ασφάλεια.

- ♦ Εάν πρόκειται να αποθηκεύσετε τη συσκευή για μεγάλο χρονικό διάστημα χωρίς χρήση, θα πρέπει να αφαιρέσετε τις μπαταρίες.
- ♦ Οι ακροδέκτες παροχής δεν πρέπει να βραχυκυκλώνονται.
- ♦ Ποτέ μην επιχειρήσετε να τις ανοίξετε, για κανένα λόγο.
- ♦ Μην εκθέτετε μπαταρία σε νερό.
- ♦ Μην εκθέτετε μπαταρία σε θερμότητα.
- ♦ Μην τις αποθηκεύετε σε θέσεις όπου η θερμοκρασία ενδέχεται να υπερβεί τους 40 °C.
- ♦ Η φόρτιση πρέπει να γίνεται μόνο σε θερμοκρασίες περιβάλλοντος μεταξύ 10 °C και 40 °C.
- ♦ Η φόρτιση πρέπει να γίνεται μόνο με τον φορτιστή που παρέχεται μαζί με τη συσκευή/το εργαλείο. Η χρήση λανθασμένου φορτιστή θα μπορούσε να επιφέρει ηλεκτροπληξία, ή υπερθέρμανση της μπαταρίας.
- ♦ Κατά την απόρριψη των μπαταριών, να ακολουθείτε τις οδηγίες που παρέχονται στην ενότητα “Προστασία του περιβάλλοντος”.
- ♦ Μην προξενήσετε ζημιά/ παραμορφώσετε το πακέτο μπαταριών είτε με τρύπημα είτε με χτύπημα, επειδή αυτό μπορεί να προκαλέσει κίνδυνο τραυματισμού και πυρκαγιάς.
- ♦ Μη φορτίζετε μπαταρίες που έχουν υποστεί ζημιά.
- ♦ Υπό ακραίες συνθήκες μπορεί να προκύψει διαρροή στην μπαταρία. Αν παρατηρήσετε υγρό πάνω στις μπαταρίες, σκουπίστε το προσεκτικά με ένα πανί.

Αποφύγετε την επαφή με το δέρμα.

- ♦ Σε περίπτωση επαφής με το δέρμα ή τα μάτια, ακολουθήστε τις παρακάτω οδηγίες.

Προειδοποίηση! Το υγρό της μπαταρίας μπορεί να προκαλέσει σωματικές βλάβες ή υλικές ζημιές.

Σε περίπτωση επαφής με το δέρμα, ξεπλύνετε αμέσως με άφθονο νερό. Αν παρουσιαστεί κοκκίνισμα του δέρματος, πόνος ή ερεθισμός, ζητήστε ιατρική βοήθεια. Σε περίπτωση επαφής με τα μάτια, ξεπλύνετε αμέσως με καθαρό νερό και ζητήστε ιατρική βοήθεια.

Φορτιστές (μπορεί να πωλούνται ξεχωριστά)

Ο φορτιστής σας είναι σχεδιασμένος για συγκεκριμένη ηλεκτρική τάση.

Πάντα να ελέγχετε αν η τάση ρεύματος δικτύου αντιστοιχεί στην τάση που αναφέρεται στην πινακίδα τεχνικών χαρακτηριστικών και στις πληροφορίες στον πίνακα τεχνικών δεδομένων.

Προειδοποίηση! Ποτέ μην επιχειρήσετε να αντικαταστήσετε τη μονάδα φορτιστή με κανονικό φως ρεύματος δικτύου.

- ♦ Ο φορτιστής BLACK+DECKER πρέπει να χρησιμοποιείται αποκλειστικά και μόνο για τη φόρτιση της μπαταρίας της συσκευής/του εργαλείου που συνόδευε. Άλλες μπαταρίες ενδέχεται να εκραγούν, προκαλώντας τραυματισμό ατόμων και ζημιές.
- ♦ Ποτέ μην επιχειρήσετε να φορτίσετε μη επαναφορτιζόμενες μπαταρίες.

- ♦ Αν το καλώδιο ρεύματος έχει υποστεί ζημιά, η αντικατάστασή του πρέπει να γίνει από τον κατασκευαστή ή από ένα εξουσιοδοτημένο κέντρο επισκευών της BLACK+DECKER, ώστε να μην αποτελέσει κίνδυνο.
- ♦ Μην εκθέτετε τον φορτιστή σε νερό.
- ♦ Μην ανοίξετε τον φορτιστή.
- ♦ Μην εισάγετε οποιαδήποτε αντικείμενα μέσα στον φορτιστή.
- ♦ Κατά τη φόρτιση, η συσκευή/το εργαλείο/η μπαταρία πρέπει να βρίσκεται σε καλά αεριζόμενο χώρο.

Ασφαλής χρήση ηλεκτρικού ρεύματος

Σύμβολα επάνω στον φορτιστή



Πριν χρησιμοποιήσετε τη συσκευή διαβάστε προσεκτικά ολόκληρο το εγχειρίδιο.



Αυτό το εργαλείο φέρει διπλή μόνωση και επομένως δεν απαιτείται καλώδιο γείωσης. Πάντα ελέγχετε ότι η παροχή ρεύματος αντιστοιχεί στην τάση που αναφέρεται στην πινακίδα στοιχείων.



Η βάση φόρτισης προορίζεται για χρήση μόνο σε εξωτερικούς χώρους.

Ετικέτες πάνω στη συσκευή

Αυτή η συσκευή φέρει τα παρακάτω προειδοποιητικά σύμβολα μαζί με τον κωδικό ημερομηνίας



Πριν χρησιμοποιήσετε τη συσκευή διαβάστε προσεκτικά ολόκληρο το εγχειρίδιο

Χαρακτηριστικά

Στο εργαλείο αυτό διατίθενται ορισμένα ή όλα τα παρακάτω χαρακτηριστικά.

1. Κομπι ενεργοποίησης/ απενεργοποίησης (on/off)
2. Θύρα φόρτισης
3. Ένδειξη κατάστασης φόρτισης
4. Κομπι απελευθέρωσης κάδου συλλογής σκόνης
5. Διαφανής κάδος συλλογής σκόνης
6. Συγκρότημα κυκλωνικού φίλτρου
7. Κομπι απελευθέρωσης κονταριού επέκτασης
8. Κοντάρι επέκτασης
9. Κεφαλή δαπέδου (με ενσωματωμένο ανιχνευτή δαπέδου)

10. Κουμπί απελευθέρωσης περιστροφικής βούρτσας
11. Εξάρτημα χαραμάδων
12. Μπαταρία
- 12a. Φορτιστής
13. Σταθμός φύλαξης

Χρήση

Φόρτιση της μπαταρίας (Εικ. Α, Β)

Ο κανονικός φορτιστής που παρέχεται θα φορτίσει μια πλήρως εξαντλημένη μπαταρία σε περίπου 5 ώρες

- ◆ Συνδέστε τον φορτιστή (12a) σε κατάλληλη πρίζα πριν εισάγετε το πακέτο μπαταριών (12).
- ◆ Εισάγετε το πακέτο μπαταριών (12) στον φορτιστή (12a) όπως δείχνει η εικόνα Α.
- ◆ Η πράσινη λυχνία LED (12b) θα αναβοσβήνει υποδεικνύοντας ότι η μπαταρία φορτίζεται.
- ◆ Η ολοκλήρωση της φόρτισης υποδεικνύεται από το γεγονός ότι η πράσινη LED (12b) παραμένει μόνιμα αναμμένη. Το πακέτο μπαταριών είναι πλήρως φορτισμένο και μπορεί να χρησιμοποιηθεί άμεσα ή να παραμείνει στον φορτιστή.

Σημείωση: Επαναφορτίζετε τις αποφορτισμένες μπαταρίες το συντομότερο δυνατόν μετά τη χρήση τους, διαφορετικά μπορεί να μειωθεί πολύ η διάρκεια ζωής τους.

Σημείωση: Ο φορτιστής και το πακέτο μπαταριών μπορούν να παραμείνουν συνδεδεμένα επ' αόριστον με την πράσινη λυχνία LED αναμμένη. Ο φορτιστής θα διατηρεί το πακέτο μπαταριών σε βέλτιστη κατάσταση και πλήρως φορτισμένο.

Σημαντικές επισημάνσεις για τη φόρτιση

- ◆ Μπορείτε να επιτύχετε τη μέγιστη διάρκεια ζωής και την καλύτερη απόδοση αν το πακέτο μπαταριών φορτίζεται όταν η θερμοκρασία αέρα είναι ανάμεσα σε 18 ° και 24 °C. ΜΗ φορτίζετε το πακέτο μπαταριών σε θερμοκρασία αέρα κάτω από τους +4,5 °C ή πάνω από τους +40,5 °C. Αυτό είναι σημαντικό και θα αποτρέψει σοβαρά ζημιά στο πακέτο μπαταριών.
- ◆ Ο φορτιστής και το πακέτο μπαταριών μπορεί να θερμανθούν κατά τη φόρτιση. Αυτό είναι κανονικό φαινόμενο και όχι ένδειξη προβλήματος. Για να διευκολύνετε την ψύξη του πακέτου μπαταριών μετά τη χρήση, αποφεύγετε να τοποθετείτε τον φορτιστή ή το πακέτο μπαταριών σε θερμό περιβάλλον, όπως σε μεταλλικό παράπηγμα ή σε μη μονωμένο τρέιλερ.
- ◆ Αν το πακέτο μπαταριών δεν φορτίζεται σωστά:
 - ◆ Ελέγξτε το ρεύμα στην πρίζα συνδέοντας ένα φωτιστικό ή άλλη ηλεκτρική συσκευή.
 - ◆ Ελέγξτε μήπως η πρίζα συνδέεται σε διακόπτη φώτων που διακόπτει το ρεύμα όταν σβήνετε τα φώτα.
 - ◆ Μετακινήστε τον φορτιστή και το πακέτο μπαταριών σε θέση όπου η θερμοκρασία αέρα περιβάλλοντος είναι περίπου 18 °C - 24 °C.

- ◆ Αν τα προβλήματα φόρτισης επιμένουν, παραδώστε το εργαλείο, το πακέτο μπαταριών και τον φορτιστή στο τοπικό σας κέντρο σέρβις.
- ◆ Το πακέτο μπαταριών πρέπει να επαναφορτίζεται όταν δεν είναι σε θέση να παράγει επαρκή ισχύ σε εργασίες που γίνοντουσαν εύκολα πιο πριν. ΜΗ ΣΥΝΕΧΙΣΕΤΕ τη χρήση υπό αυτές τις συνθήκες. Ακολουθήστε τη διαδικασία φόρτισης. Μπορείτε επίσης να φορτίσετε όποτε επιθυμείτε ένα πακέτο μπαταριών που δεν έχει εξαντληθεί πλήρως, χωρίς αυτό να έχει αρνητικές συνέπειες στο πακέτο μπαταριών.
- ◆ Τα ξένα υλικά με αγώνιμες ιδιότητες, όπως είναι, αλλά χωρίς περιορισμό σε αυτά, το σύρμα τριψίματος, το αλουμινοχάρτο ή οποιαδήποτε συσσώρευση μεταλλικών σωματιδίων, θα πρέπει να διατηρούνται μακριά από τις κοιλότητες του φορτιστή. Πάντα απουσυνδέτε τον φορτιστή από την παροχή ρεύματος όταν δεν υπάρχει πακέτο μπαταριών στην κοιλότητα. Απουσυνδέτε τον φορτιστή από την πρίζα πριν επιχειρήσετε να τον καθαρίσετε.
- ◆ Μην παγώσετε ή βυθίσετε τον φορτιστή σε νερό ή οποιοδήποτε άλλο υγρό.

Προειδοποίηση! Μην επιτρέψετε να εισέλθει οποιοδήποτε υγρό μέσα στον φορτιστή. Ποτέ μην επιχειρήσετε να ανοίξετε το πακέτο μπαταριών για οποιονδήποτε λόγο. Αν το πλαστικό περίβλημα του πακέτου μπαταριών σπάσει ή ραγίσει, επιστρέψτε το πακέτο σε κέντρο σέρβις για ανακύκλωση.

Ένδειξη κατάστασης φόρτισης (Εικ. C)

Μια ένδειξη κατάστασης φόρτισης (3) στη συσκευή, η οποία αποτελείται από τρεις λυχνίες LED, υποδεικνύει το επίπεδο φόρτισης που απομένει στην μπαταρία.

Αυτή η δυνατότητα είναι ενεργοποιημένη μόνο όταν είναι ενεργοποιημένη η ηλεκτρική σκούπα και κατά τη φόρτισή της. Η ένδειξη κατάστασης φόρτισης είναι μια προσεγγιστική ένδειξη του επιπέδου φόρτισης που απομένει στο πακέτο μπαταριών.

Η ένδειξη LED μπαταριών δείχνει την υπολειπόμενη φόρτιση και σας προειδοποιεί όταν η μπαταρία είναι χαμηλή.

Η τελική LED θα αναβοσβήνει συνεχόμενα όταν υπολείπεται μόνο λίγος χρόνος λειτουργίας.

Σημείωση: Η ένδειξη κατάστασης φόρτισης είναι μόνο μια ένδειξη

της φόρτισης που απομένει στην μπαταρία.

Δεν δείχνει τη λειτουργικότητα του εργαλείου και υπόκειται σε μεταβολές βάσει των εξαρτημάτων του προϊόντος, της θερμοκρασίας και της εφαρμογής του τελικού χρήστη.

Τοποθέτηση και αφαίρεση της μπαταρίας (Εικ. D, E)

Προειδοποίηση! Βεβαιωθείτε ότι η σκούπα είναι απενεργοποιημένη, πριν αφαιρέσετε ή εγκαταστήσετε την μπαταρία.

Για την εγκατάσταση του πακέτου μπαταριών

- ◆ Εισάγετε το πακέτο μπαταριών (12) μέσα στην ηλεκτρική σκούπα (12c) έως ότου ακούσετε χαρακτηριστικό ήχο κλικ (Εικόνα D). Βεβαιωθείτε ότι το πακέτο μπαταριών έχει εδράσει και ασφαλίσει πλήρως στη θέση του.

Για να αφαιρέσετε το πακέτο μπαταριών

- ◆ Πατήστε το κουμπί απελευθέρωσης μπαταρίας (12d) όπως δείχνει η Εικόνα E και τραβήξτε το πακέτο μπαταριών έξω από την ηλεκτρική σκούπα.

Συναρμολόγηση (Εικ. F)

- ◆ Ευθυγραμμίστε το πάνω μέρος του σωλήνα επέκτασης (8) με την είσοδο (7a) της σκούπας όπως δείχνει η Εικ. F.
- ◆ Πιέστε τον σωλήνα επέκτασης (8) πάνω στην είσοδο (7a) της σκούπας ώστε να ασφαλίσει στη θέση του.
- ◆ Για να αφαιρέσετε έναν σωλήνα επέκτασης, πατήστε το κουμπί απελευθέρωσης του σωλήνα επέκτασης (7) και τραβήξτε απαλά και αφαιρέστε τον σωλήνα επέκτασης.

Προειδοποίηση! Όταν δεν χρησιμοποιείτε τη μονάδα, τοποθετείτε την με την πίσω πλευρά προς ένα τοίχο ως σε περίπτωση αθέλητης πτώσης της να έρθει σε επαφή με τον τοίχο και όχι με ανθρώπους ή κατοικίδια.

Χρήση

Αυτή η ηλεκτρική σκούπα μπορεί να χρησιμοποιηθεί με έναν από δύο τρόπους.

- ◆ Με τον σωλήνα επέκτασης (8) και την κεφαλή δαπέδου (9).
- ◆ Με το εργαλείο χαραμάδων (11) και τη σκούπα.

Τοποθέτηση των αξεσουάρ (Εικ. G)

- ◆ Το εξάρτημα για χαραμάδες (11) επιτρέπει το ηλεκτρικό σκούπισμα σε στενά και με δύσκολη προσπέλαση μέρη.
- ◆ Για να συνδέσετε το εργαλείο χαραμάδων (11) πιέστε το μέσα στην είσοδο (7a) της σκούπας ώστε να ασφαλίσει στη θέση του όπως δείχνει η εικόνα G.
- ◆ Για να απελευθερώσετε το εργαλείο χαραμάδων (11) πατήστε το κουμπί απελευθέρωσης εργαλείου χαραμάδων (11a) και τραβήξτε απαλά και αφαιρέστε το εργαλείο χαραμάδων.

Ενεργοποίηση και απενεργοποίηση (Εικ. H)

- ◆ Για ενεργοποίηση, πατήστε το κουμπί λειτουργίας on/off (1).
- ◆ Για αυξημένη ισχύ, πατήστε πάλι το κουμπί On/Off (1).
- ◆ Πατήστε το κουμπί On/Off (1) μια τρίτη φορά για να απενεργοποιήσετε τη μονάδα.

Σημείωση: Οι LED ένδειξης κατάστασης φόρτισης (3) θα είναι αναμμένες όταν είναι ενεργοποιημένη η σκούπα.

- ◆ Για να απενεργοποιήσετε τη μονάδα, κινήστε τον διακόπτη λειτουργίας on/off (1) στη θέση "0".

- ◆ Φορτίζετε την μπαταρία (12) αμέσως μετά τη χρήση ώστε να είναι έτοιμη και πλήρως φορτισμένη για την επόμενη χρήση.

Ανιχνευτής δαπέδου (Floorsense)

Ο ανιχνευτής δαπέδου είναι ενεργός στη χαμηλή ταχύτητα. Όταν ανιχνευτεί κάποιο χαλί, η απόδοση της μονάδας αυξάνεται αυτόματα με υψηλή ταχύτητα λειτουργίας. Όταν ανιχνευτεί σκληρό δάπεδο, η απόδοση της μονάδας μειώνεται αυτόματα με χαμηλή ταχύτητα λειτουργίας.

Καθαρισμός και άδειασμα της σκούπας

Προειδοποίηση! Κίνδυνος από εκτοξευόμενα σωματίδια/για την αναπνοή: Ποτέ μη χρησιμοποιήσετε τη σκούπα χωρίς το φίλτρο πη.

Προειδοποίηση! Το φίλτρο μπορεί να επαναχρησιμοποιηθεί, μην το θεωρήσετε παρόμοιο με σακούλα μιας χρήσης, και μην το πετάξετε κατά το άδειασμα του προϊόντος. Συνιστούμε να αντικαθιστάτε το φίλτρο κάθε 6-9 μήνες, ανάλογα με τη συχνότητα χρήσης του.

Για να αδειάσετε το δοχείο συλλογής σκόνης (Εικ. I, J, K, L)

- ◆ Πιέστε προς τα κάτω το κουμπί απελευθέρωσης του δοχείου συλλογής σκόνης (4) για να απελευθερώσετε και να αφαιρέσετε το δοχείο συλλογής σκόνης (5) από τη σκούπα.
- ◆ Χρησιμοποιήστε τον δείκτη και τον αντίχειρά σας για να πιέσετε τις προεξοχές του περιβλήματος φίλτρου και τραβήξτε το περίβλημα φίλτρου (6) από το δοχείο συλλογής σκόνης όπως δείχνει η εικόνα I.
- ◆ Αδειάστε το δοχείο συλλογής σκόνης πάνω από έναν κάδο απορριμμάτων όπως δείχνει η εικόνα J.
- ◆ Αφαιρέστε το φίλτρο αφρώδους υλικού (6a) από το περίβλημα φίλτρου όπως δείχνει η εικόνα K.
- ◆ Τινάξτε η βουρτσίστε απαλά τυχόν χαλαρή σκόνη από το φίλτρο αφρώδους υλικού (6a) και το φίλτρο (6).
- ◆ Ξεπλύνετε το δοχείο συλλογής σκόνης (5) με χλιαρό σαπουνόνερο.
- ◆ Πλύνετε τα φίλτρα με χλιαρό σαπουνόνερο.
- ◆ Βεβαιωθείτε ότι τα φίλτρα έχουν στεγνώσει τελείως, πριν τα επανατοποθετήσετε μέσα στο περίβλημα φίλτρου.
- ◆ Επανατοποθετήστε το καθαρό και στεγνό φίλτρο αφρώδους υλικού (6a) μέσα στο περίβλημα φίλτρου (6).
- ◆ Εγκαταστήστε το περίβλημα φίλτρου μέσα στο δοχείο συλλογής σκόνης (5).
- ◆ Εγκαταστήστε το δοχείο συλλογής σκόνης μέσα στη σκούπα, έως ότου ασφαλίσει καλά στη θέση του με χαρακτηριστικό ήχο "κλικ".

Αφαίρεση και καθαρισμός της περιστροφικής βούρτσας (Εικ. Μ, Ν)

Προειδοποίηση! Για να μειώσετε τον κίνδυνο τραυματισμού από κινούμενα μέρη, αποσυνδέστε την κεφαλή δαπέδου και τον σωλήνα επέκτασης από την ηλεκτρική σκούπα πριν από κάθε εργασία καθαρισμού ή σέρβις στη συσκευή.

- ♦ Για να αφαιρέσετε την περιστροφική βούρτσα (9b) από την κεφαλή δαπέδου (9) μετακινήστε το κομπι αποελευθέρωσης περιστροφικής βούρτσας (9a) προς το πίσω μέρος της μονάδας.
- ♦ Η περιστροφική βούρτσα (9b) μπορεί τώρα να αφαιρεθεί και να καθαριστεί.

Ασφαλής φύλαξη (Εικ. Ο)

Μπορείτε να φυλάξετε τη μονάδα με ασφάλεια, όταν δεν την χρησιμοποιείτε, τοποθετώντας το εξάρτημα συγκράτησης του πίσω μέρους της μονάδας μοτέρ πάνω στον σταθμό φύλαξης (13) όπως δείχνει η εικόνα Ο.

Αντιμετώπιση προβλημάτων

Πρόβλημα	Πιθανή αιτία	Πιθανή λύση
Η μονάδα δεν τίθεται σε λειτουργία.	Η μπαταρία δεν έχει εγκατασταθεί σωστά. Η μπαταρία δεν είναι φορτισμένη.	Ελέγξτε την εγκατάσταση της μπαταρίας. Ελέγξτε τις απαιτήσεις φόρτισης της μπαταρίας
Το πακέτο μπαταριών δεν φορτίζεται.	Η μπαταρία δεν έχει εισαχθεί στον φορτιστή. Ο φορτιστής δεν έχει συνδεθεί. Η θερμοκρασία αέρα περιβάλλοντος είναι πολύ θερμή ή πολύ ψυχρή.	Εισάγετε την μπαταρία στον φορτιστή έως ότου ανάψει η LED. Συνδέστε τον φορτιστή σε πρίζα που λειτουργεί. Ανατρέξτε στις "Σημαντικές παρατηρήσεις για τη φόρτιση", για περισσότερες λεπτομέρειες. Ελέγξτε το ρεύμα συνδέοντας μία λάμπα ή άλλη ηλεκτρική συσκευή. Ελέγξτε μήπως η πρίζα συνδέεται σε διακόπτη φώτων που διακόπτει το ρεύμα όταν σβήνετε τα φώτα. Μετακινήστε τον φορτιστή και το εργαλείο σε θέση όπου η θερμοκρασία αέρα περιβάλλοντος είναι πάνω από 4,5 °C ή κάτω από +40,5 °C.

Συντήρηση

Αυτή η συσκευή μπαταρίας της BLACK+DECKER έχει σχεδιαστεί έτσι ώστε να λειτουργεί για μεγάλο χρονικό διάστημα με την ελάχιστη δυνατή συντήρηση.

Η συνεχής ικανοποιητική λειτουργία εξαρτάται από τη σωστή φροντίδα και τον τακτικό καθαρισμό του εργαλείου.

Προειδοποίηση! Πριν πραγματοποιήσετε οποιαδήποτε συντήρηση σε συσκευές που λειτουργούν με μπαταρία:

- ♦ Χρησιμοποιήστε την μπαταρία μέχρι να εξαντληθεί πλήρως αν είναι ενσωματωμένη, και στη συνέχεια απενεργοποιήστε.
- ♦ Αποσυνδέστε τον φορτιστή από την πρίζα πριν τον καθαρίσετε. Ο φορτιστής σας δεν χρειάζεται καμία άλλη συντήρηση πέραν του τακτικού καθαρισμού.
- ♦ Καθαρίζετε τακτικά τις εγχοπές εξαερισμού της συσκευής/ του φορτιστή με μαλακή βούρτσα ή στεγνό πανί.
- ♦ Καθαρίζετε τακτικά το περίβλημα του μοτέρ με ένα ελαφρά υγρό πανί. Μη χρησιμοποιείτε καθαριστικά που χαράζουν ή περιέχουν διαλύτες.

Αντικατάσταση των φίλτρων

Τα φίλτρα πρέπει να αντικαθίστανται κάθε 6 με 9 μήνες και όταν έχουν φθαρεί ή υποστεί ζημιά. Αναλλακτικά φίλτρα είναι διαθέσιμα από τον τοπικό σας αντιπρόσωπο της BLACK+DECKER.

- ♦ Αφαιρέστε τα παλιά φίλτρα όπως περιγράφεται παραπάνω.
- ♦ Τοποθετήστε τα καινούργια φίλτρα όπως περιγράφεται παραπάνω.

Προστασία του περιβάλλοντος



Χωριστή συλλογή. Τα προϊόντα και οι μπαταρίες που επισημαίνονται με αυτό το σύμβολο δεν πρέπει να απορρίπτονται μαζί με τα κανονικά οικιακά απορρίμματα.

Τα προϊόντα και οι μπαταρίες περιέχουν υλικά που μπορούν να ανακτηθούν ή να ανακυκλωθούν ώστε να μειωθούν οι ανάγκες για πρώτες ύλες.

Παρακαλούμε να ανακυκλώνετε τα ηλεκτρικά προϊόντα και τις μπαταρίες σύμφωνα με τους τοπικούς κανονισμούς.

Περισσότερες πληροφορίες διατίθενται στον ιστότοπο www.2helpU.com

Τεχνικά δεδομένα

	BHFEA18	BHFEA18D
Τάση	18 V	18 V
Βατώρες	36 Wh (πακέτο μπαταριών 18 V 2,0 Ah)	36 Wh (πακέτο μπαταριών 18 V 2,0 Ah)
Χρόνοι φόρτισης, περ.	5 ώρες	5 ώρες
Βάρος	2,4 kg χωρίς παρελκόμενα - 2,8 kg με μπαταρία	2,4 kg χωρίς παρελκόμενα - 2,8 kg με μπαταρία

Φορτιστής		S010**2400040/ SSC-250040**	S018***1800100/ SSC-200100**
Τάση εισόδου	V _{AC}	100 - 240	220 - 240
Τάση εξόδου	V _{DC}	8 - 20	8 - 20
Ρεύμα	mA	400	1000
Χρόνος φόρτισης περ.	Ωρες	3 - 5	1 - 5

Μπαταρία		BL1518	BL2018	BL4018
Τάση	V _{AC}	18	18	18
Χωρητικότητα	Ah	1,5	2,0	4,0
Τύπος		Ιόντων λιθίου	Ιόντων λιθίου	Ιόντων λιθίου

Εγγύηση

Η Black & Decker είναι σίγουρη για την ποιότητα των προϊόντων της και προσφέρει στους καταναλωτές εγγύηση 24 μηνών από την ημερομηνία αγοράς. Αυτή η εγγύηση συμπληρώνει και με κανένα τρόπο δεν παραβιάζει τα νόμιμα δικαιώματά σας. Η εγγύηση ισχύει εντός της επικράτειας των χωρών μελών της Ευρωπαϊκής Ένωσης και της Ευρωπαϊκής Ζώνης Ελεύθερων Συναλλαγών.

Για να υποβάλετε αξίωση βάσει της εγγύησης, η αξίωση θα πρέπει να είναι σύμφωνη με τους Όρους και Προϋποθέσεις της Black&Decker και θα χρειαστεί να υποβάλετε απόδειξη αγοράς στον πωλητή ή σε εξουσιοδοτημένο αντιπρόσωπο σέρβις.

Μπορείτε να αποκτήσετε τους Όρους και Προϋποθέσεις της εγγύησης 2 ετών της Black&Decker και να μάθετε την τοποθεσία του πλησιέστερου εξουσιοδοτημένου αντιπροσώπου επισκευών στο Internet στο www.2helpU.com, ή επικοινωνώντας με το τοπικό σας γραφείο Black & Decker στη διεύθυνση που υποδεικνύεται στο παρόν εγχειρίδιο. Παρακαλούμε επισκεφθείτε την ιστοσελίδα μας www.blackanddecker.gr για να καταχωρίσετε το νέο σας προϊόν Black & Decker και για να ενημερώνεστε για τα νέα προϊόντα και τις ειδικές προσφορές.

België/Belgique/Luxembourg www.blackanddecker.be enduser.be@sbdinc.com	Stanley Black & Decker Belgium BVBA Egide Walschaertsstraat 16 2800 Mechelen	Tel. NL +32 15 47 37 65 Tel. FR +32 15 47 37 66 Fax. +32 15 47 37 99
Danmark	Black & Decker Roskildevej 22 2620 Albertslund	kundeservice.dk@sbdinc.com www.blackanddecker.dk
Deutschland www.blackanddecker.de infobfge@sdbinc.com	Stanley Black & Decker Deutschland GmbH Black & Decker Str. 40, D - 65510 Idstein	Tel. 06126 21-0 Fax 06126 21-2980
Ελλάδα www.blackanddecker.gr greece.service@sbdinc.com	Stanley Black & Decker (ΕΛΛΑΣ) Ε.Π.Ε ΓΡΑΦΕΙΑ: Σπύριδωνος 7 & Βουλιαγμένης 166 74 Γλυφάδα - Αθήνα	Τηλ. 210-8981616 Φαξ 210-8983570
SERVICE:	Ημερος Τόπος 2 -Χάνι Αδάμ 193 00 Ασπρόπυργος - Αθήνα	Τηλ. Service 210-8985208 Φαξ 210-5597598
España www.blackanddecker.es respuesta.posventa@sbdinc.com	Stanley Black & Decker Ibérica, S.C.A. Parc de Negocis "Mas Blau" Edificio Muntadas, c/Bergadà, 1, Of. A6 08820 El Prat de Llobregat (Barcelona)	Tel. 934 797 400 Fax 934 797 419
France www.blackanddecker.fr	Black & Decker (France) S.A.S. 5 allée des Hêtres B.P. 30084 69579 Limonest Cédex	Tel. 04 72 20 39 20 Fax 04 72 20 39 00
Helvetia www.blackanddecker.ch service@rofoag.ch	ROFO AG Gewerbezone Seeblick 3213 Kleinbösingen	Tel. 026-6749393 Fax 026-6749394
Italia www.blackanddecker.it service.italia@sbdinc.com	Stanley Black & Decker Italia Via Energypark 6 20871 Vimercate (MB)	Tel. 039-9590200 Fax 039-9590313 Numero verde 800-213935
Nederland www.blackanddecker.nl enduser.nl@sbdinc.com	Stanley Black & Decker Netherlands BV Holtum Noordweg 35, 6121 RE BORN Postbus 83, 6120 AB BORN	Tel. +31 164 283 065 Fax +31 164 283 200
Norge	Black & Decker Postboks 4613, Nydalen 0405 Oslo	kundeservice.no@sbdinc.com www.blackanddecker.no
Österreich www.blackanddecker.at service.austria@sbdinc.com	Stanley Black & Decker Austria GmbH Oberlaaerstraße 248, A-1230 Wien	Tel. 01 66116-0 Fax 01 66116-614
Portugal www.blackanddecker.pt resposta.posvenda@sbdinc.com	Black & Decker Limited SARL Quinta da Fonte - Edifício Q55 D. Diniz Rua dos Malhães, 2 e 2A - Piso 2 Esquerdo 2770 - 071 Paço de Arcos	Tel. 214667500 Fax 214667580
Suomi	Black & Decker PL47 00521, Helsinki	asiakaspalvelu.fi@sbdinc.com www.blackanddecker.fi
Sverige	Black & Decker AB Box 94, 431 22 Mölndal	kundservice.se@sbdinc.com www.blackanddecker.se
Türkiye www.blackanddecker.com.tr	KALE Hırdavat ve Makina A.Ş. Defferdar Mah. Savaklar Cad. No:15 Edimekapı / Eyüp / İstanbul 34050	Tel. 0212 533 52 55 Fax. 0212 533 10 05
United Kingdom & Republic Of Ireland www.blackanddecker.co.uk emeaservice@sbdinc.com	Black & Decker 270 Bath Road Slough, Berkshire SL1 4DX	Tel. 01753 511234 Fax 01753 512365
Middle East & Africa www.blackanddecker.ae service.mea@sbdinc.com	Black & Decker P.O.Box - 17164 Jebel Ali Free Zone (South), Dubai, UAE	Tel. +971 4 8863030 Fax +971 4 8863333