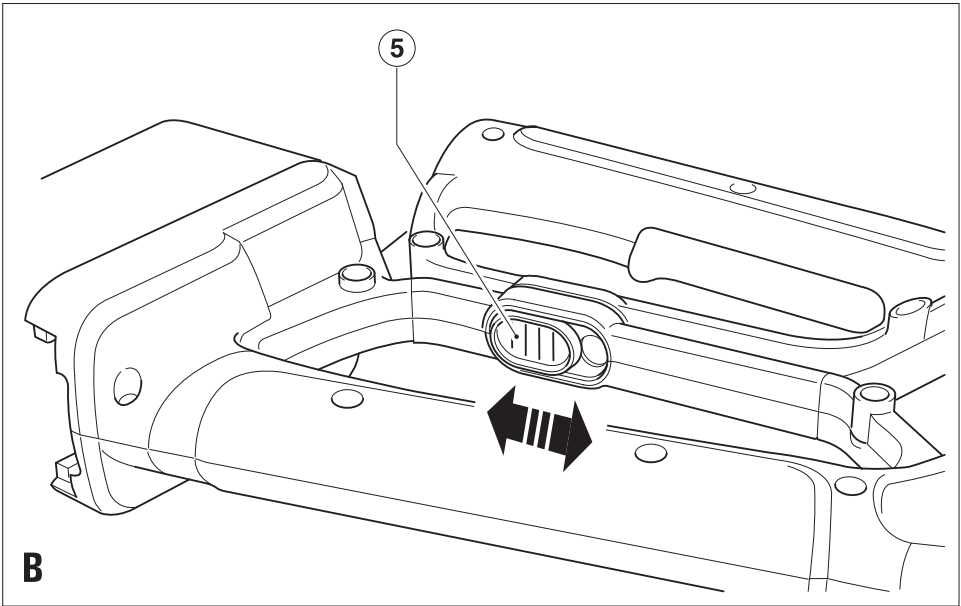
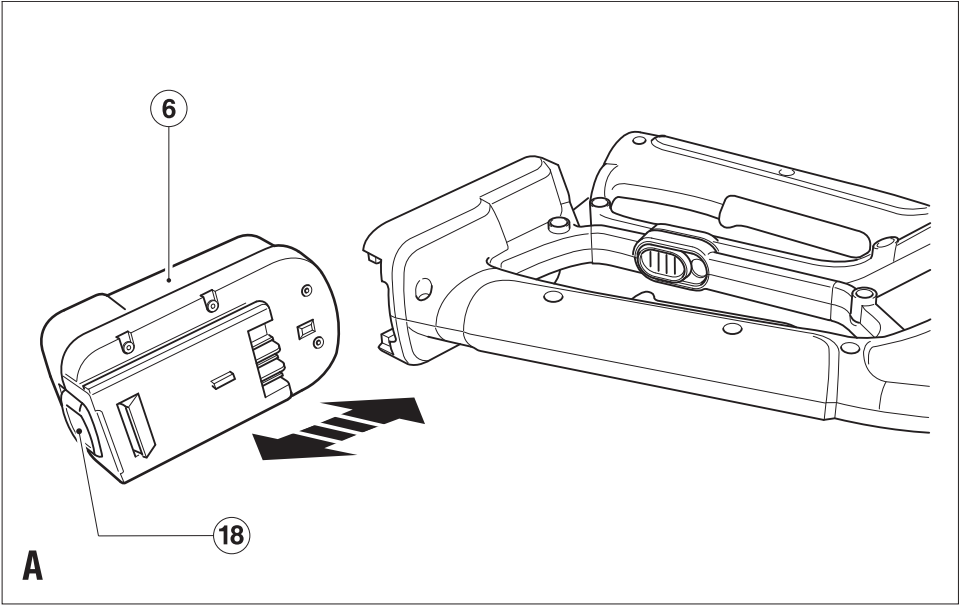
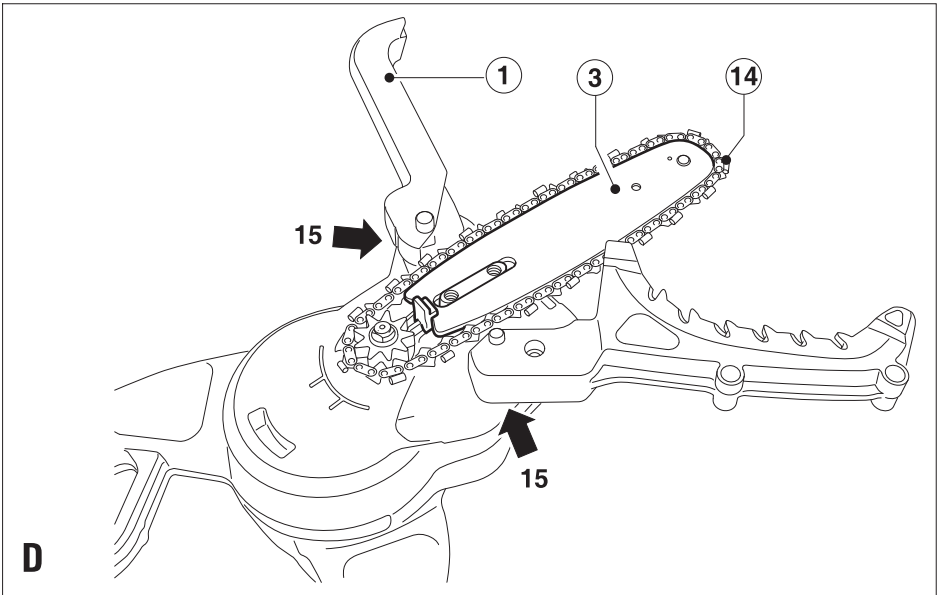
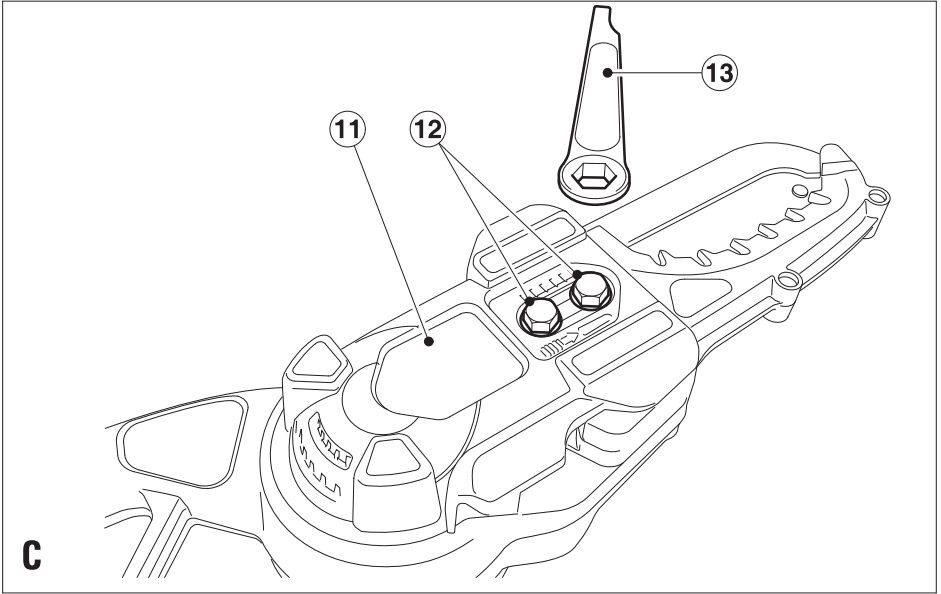
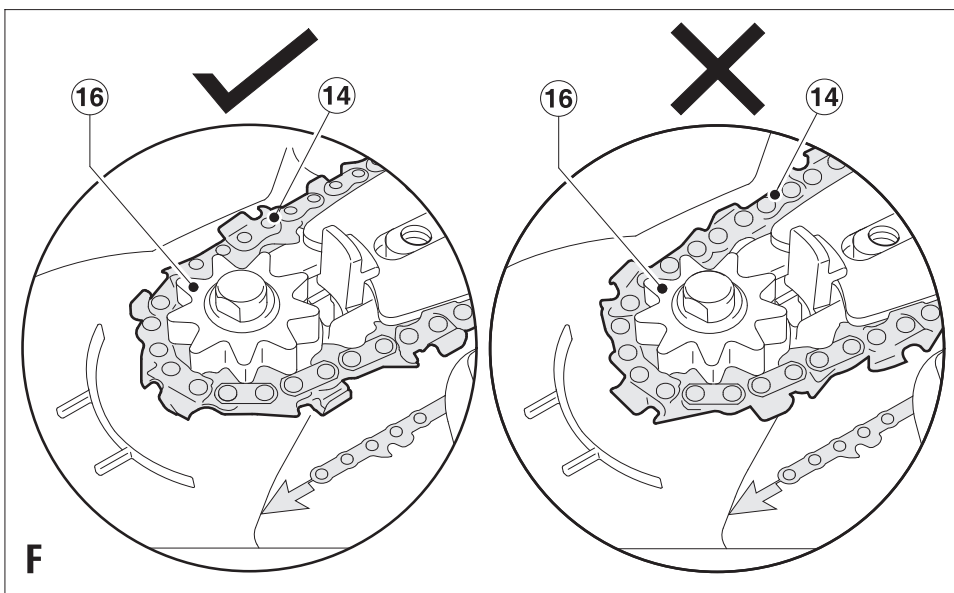
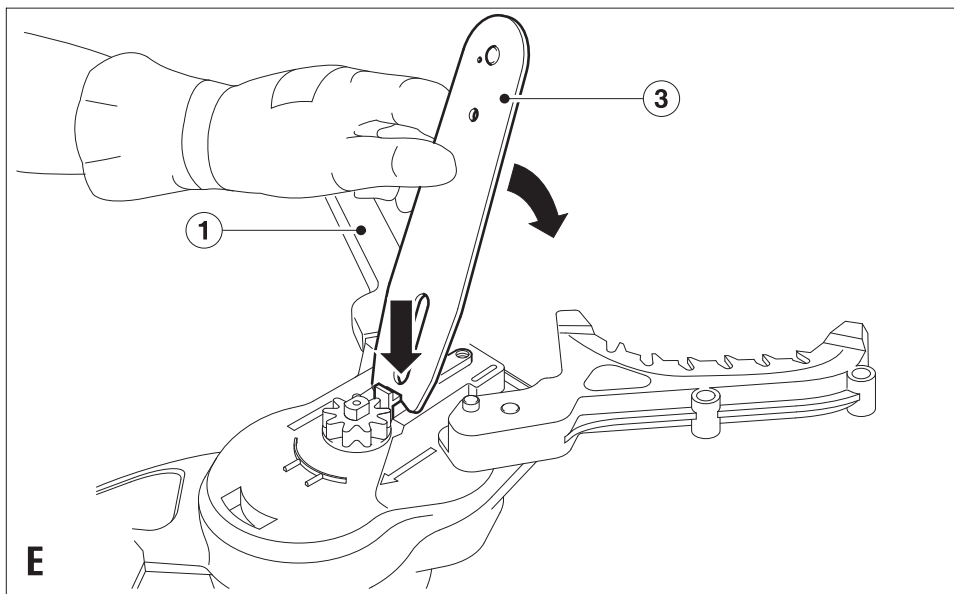
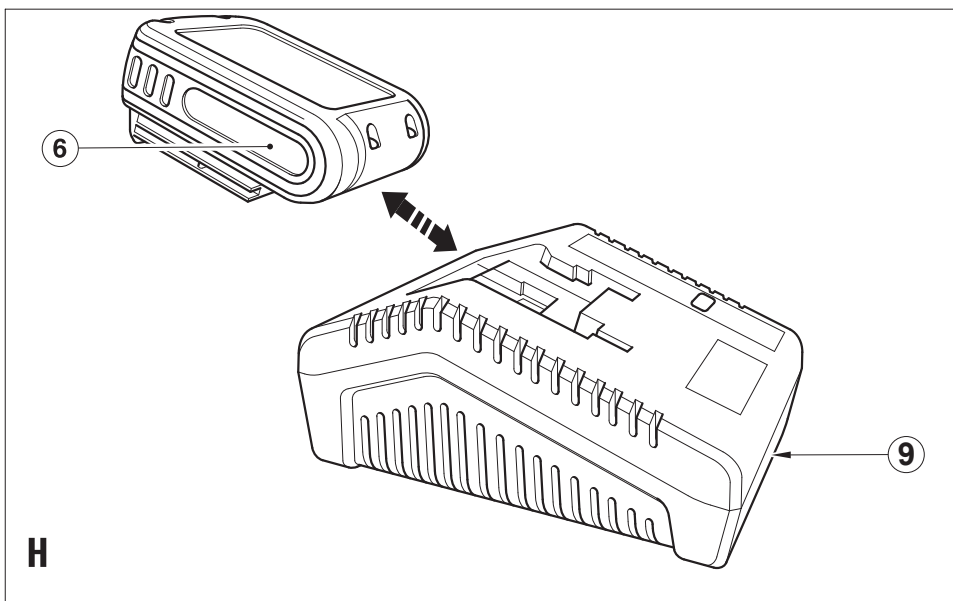
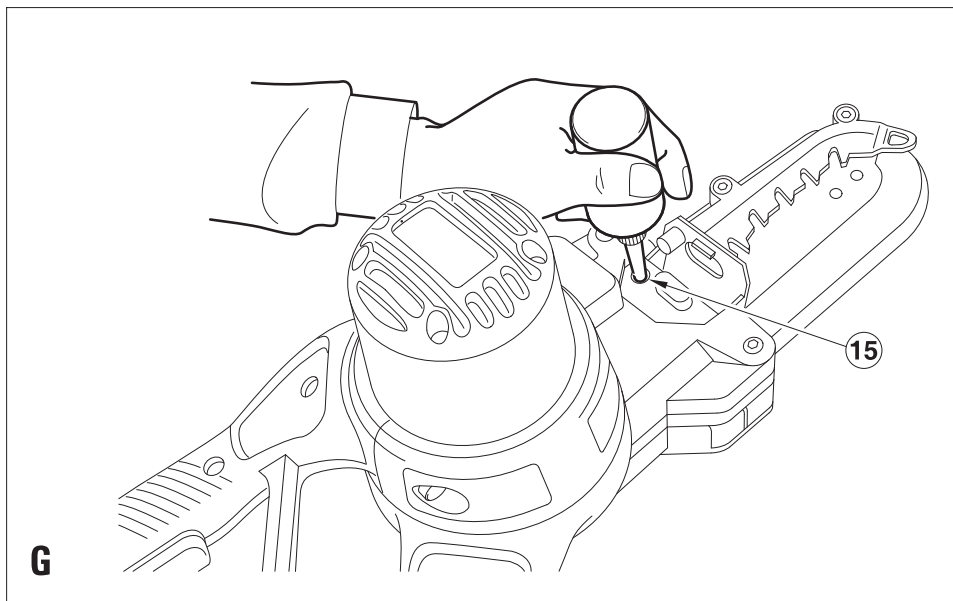


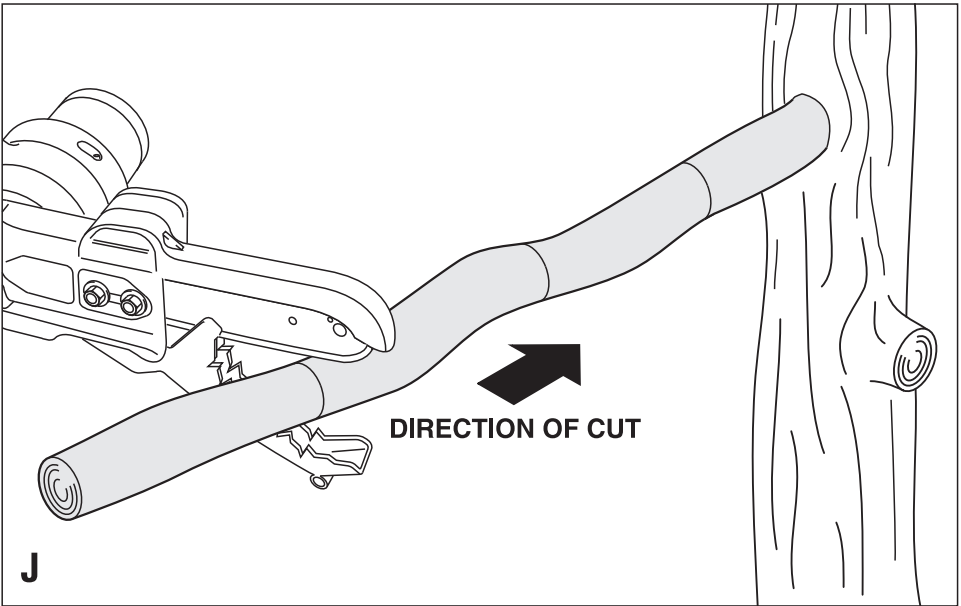
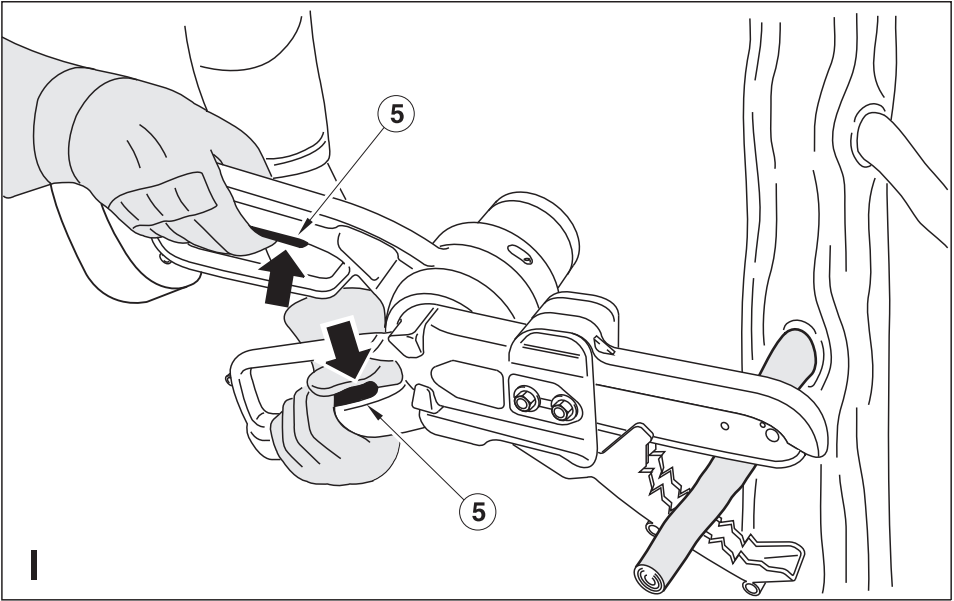
<b>English</b>	<b>(Original instructions)</b>	<b>9</b>
<b>Deutsch</b>	<b>(Übersetzung der ursprünglichen Anweisungen)</b>	<b>18</b>
<b>Français</b>	<b>(Traduction des instructions initiales)</b>	<b>28</b>
<b>Italiano</b>	<b>(Traduzione del testo originale)</b>	<b>38</b>
<b>Nederlands</b>	<b>(Vertaling van de originele instructies)</b>	<b>48</b>
<b>Español</b>	<b>(Traducción de las instrucciones originales)</b>	<b>58</b>
<b>Português</b>	<b>(Tradução das instruções originais)</b>	<b>68</b>
<b>Svenska</b>	<b>(Översättning av originalanvisningarna)</b>	<b>78</b>
<b>Norsk</b>	<b>(Oversettelse av de opprinnelige instruksjonene)</b>	<b>87</b>
<b>Dansk</b>	<b>(Oversættelse af de oprindelige instruktioner)</b>	<b>96</b>
<b>Suomi</b>	<b>(Alkuperäisten ohjeiden käännös)</b>	<b>105</b>
<b>Ελληνικά</b>	<b>(Μετάφραση των πρωτότυπων οδηγιών)</b>	<b>114</b>

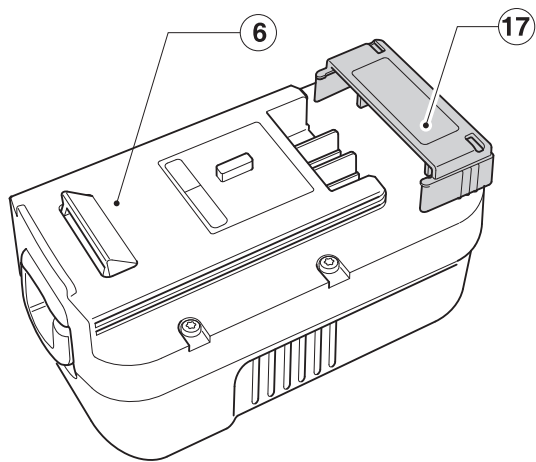












**K**



## Intended use

Your Black & Decker Alligator™ Lopper has been designed for trimming the branches of trees, cutting fallen branches and cutting small logs 25 mm to 100 mm in diameter while the operator is standing on the ground. This tool is intended for consumer use only.

## Safety instructions

### General power tool safety warnings



**Warning! Read all safety warnings and all instructions.** Failure to follow all instructions may result in electric shock, fire and/or serious injury.

### Save all warnings and instructions for future reference.

The term “power tool” in all of the warnings listed below refers to your mains operated (corded) power tool or battery operated (cordless) power tool.

1. **Work area safety**
  - a. **Keep work area clean and well lit.** Cluttered and dark areas invite accidents.
  - b. **Do not operate power tools in explosive atmospheres, such as in the presence of flammable liquids, gases or dust.** Power tools create sparks which may ignite the dust or fumes.
  - c. **Keep children and bystanders away while operating a power tool.** Distractions can cause you to lose control.
2. **Electrical safety**
  - a. **Power tool plugs must match the outlet. Never modify the plug in any way. Do not use any adapter plugs with earthed (grounded) power tools.** Unmodified plugs and matching outlets will reduce risk of electric shock.
  - b. **Avoid body contact with earthed or grounded surfaces such as pipes, radiators, ranges and refrigerators.** There is an increased risk of electric shock if your body is earthed or grounded.
  - c. **Do not expose power tools to rain or wet conditions.** Water entering a power tool will increase the risk of electric shock.
  - d. **Do not abuse the cord. Never use the cord for carrying, pulling or unplugging the power tool. Keep cord away from heat, oil, sharp edges or moving parts.** Damaged or entangled cords increase the risk of electric shock.
  - e. **When operating a power tool outdoors, use an extension cord suitable for outdoor use.** Use of a cord suitable for outdoor use reduces the risk of electric shock.
  - f. **If operating a power tool in a damp location is unavoidable, use a Residual Current Device (RCD) protected supply.** Use of an RCD reduces the risk of electric shock.
3. **Personal safety**
  - a. **Stay alert, watch what you are doing and use common sense when operating a power tool. Do not use a power tool while you are tired or under the influence of drugs, alcohol or medication.** A moment of inattention while operating power tools may result in serious personal injury.
  - b. **Use personal protective equipment. Always wear eye protection.** Protective equipment such as dust mask, non-skid safety shoes, hard hat, or hearing protection used for appropriate conditions will reduce personal injuries.
  - c. **Prevent unintentional starting. Ensure the switch is in the off-position before connecting to power source and/or battery pack, picking up or carrying the tool.** Carrying power tools with your finger on the switch or energising power tools that have the switch on invites accidents.
  - d. **Remove any adjusting key or wrench before turning the power tool on.** A wrench or a key left attached to a rotating part of the power tool may result in personal injury.
  - e. **Do not overreach. Keep proper footing and balance at all times.** This enables better control of the power tool in unexpected situations.
  - f. **Dress properly. Do not wear loose clothing or jewellery. Keep your hair, clothing and gloves away from moving parts.** Loose clothes, jewellery or long hair can be caught in moving parts.
  - g. **If devices are provided for the connection of dust extraction and collection facilities, ensure these are connected and properly used.** Use of these devices can reduce dust related hazards
4. **Power tool use and care**
  - a. **Do not force the power tool. Use the correct power tool for your application.** The correct power tool will do the job better and safer at the rate for which it was designed.
  - b. **Do not use the power tool if the switch does not turn it on and off.** Any power tool that cannot be controlled with the switch is dangerous and must be repaired.
  - c. **Disconnect the plug from the power source and/or the battery pack from the power tool before making any adjustments, changing accessories, or storing power tools.** Such preventive safety measures reduce the risk of starting the power tool accidentally.

- d. **Store idle power tools out of the reach of children and do not allow persons unfamiliar with the power tool or these instructions to operate the power tool.**

Power tools are dangerous in the hands of untrained users.

- e. **Maintain power tools. Check for misalignment or binding of moving parts, breakage of parts and any other condition that may affect the power tools operation. If damaged, have the power tool repaired before use.** Many accidents are caused by poorly maintained power tools.
- f. **Keep cutting tools sharp and clean.** Properly maintained cutting tools with sharp cutting edges are less likely to bind and are easier to control.
- g. **Use the power tool, accessories and tool bits etc. in accordance with these instructions, taking into account the working conditions and the work to be performed.** Use of the power tool for operations different from those intended could result in a hazardous situation.

## 5. Battery tool use and care

- a. **Recharge only with the charger specified by the manufacturer.** A charger that is suitable for one type of battery pack may create a risk of fire when used with another battery pack.
- b. **Use power tools only with specifically designated battery packs.** Use of any other battery packs may create a risk of injury and fire.
- c. **When battery pack is not in use, keep it away from other metal objects, like paper clips, coins, keys, nails, screws or other small metal objects, that can make a connection from one terminal to another.** Shorting the battery terminals together may cause burns or a fire.
- d. **Under abusive conditions, liquid may be ejected from the battery; avoid contact. If contact accidentally occurs, flush with water. If liquid contacts eyes, additionally seek medical help.** Liquid ejected from the battery may cause irritation or burns.

## 6. Service

**Have your power tool serviced by a qualified repair person using only identical replacement parts.** This will make sure that the safety of the power tool is maintained.

### Additional power tool safety warnings



**Warning!** Additional safety warnings for the Alligator™ Lopper.

**Warning!** Never use the tool above shoulder height.

Always position yourself out of the path of falling branches and debris.

**Warning!** Do not use this tool to fell trees.

- ◆ Keep all parts of your body and clothing away from the saw chain at all times. Hold the tool in front of you and be aware of the saw chain position especially when cutting branches near the ground. Before you switch on make sure the saw chain is not contacting anything.
- ◆ Pre-plan a safe exit from falling branches and debris. Ensure the exit route is clear of obstacles that would prevent or hinder movement. Remember wet grass and freshly cut bark is slippery.
- ◆ Be aware of the direction that a branch may fall. Consider all conditions that may affect the direction of fall, including:
  - The intended direction of fall.
  - The natural lean of the branch.
  - Any unusual heavy limb structure or decay.
  - Surrounding trees and obstacles including overhead lines.
  - The wind speed and direction.
- ◆ The safe distance between a branch and debris to be felled and bystanders, buildings and other objects is at least 2 1/2 times the length of the branch. Any bystander, building or object within this distance is at risk from being struck by the falling branch.
- ◆ When cutting a limb that is under tension, be aware of spring-back. When the tension in the wood fibres are released the spring loaded limb may strike the operator and/or throw the tool out of control.
- ◆ Always wear suitable safety equipment such as non-skid safety shoes, hard hat, goggles, ear protection and gloves when operating the tool.
- ◆ Ensure someone is nearby (at a safe distance) in case of an accident.
- ◆ Do not attempt to operate the tool when in a tree, on a ladder or standing on any other unstable support.
- ◆ Keep proper footing and balance at all times.
- ◆ Hold the tool firmly with both hands when the motor is running.
- ◆ Keep handles dry, clean and free from oil and grease. Greasy oily handles are slippery causing loss of control.
- ◆ Do not let the moving chain contact any object at the tip of the guide bar.
- ◆ Keep your saw chain properly tensioned. Check tension at regular intervals with the motor stopped and cord disconnected.
- ◆ Begin and continue cutting only with the chain moving at full speed.

- ◆ Watch for shifting branches or other forces that could close a cut and pinch or fall into the chain.
- ◆ Use extreme caution when re-entering a previous cut. Engage spikes on lower jaw into wood and allow the chain to reach full speed before proceeding with cut.
- ◆ Use of this tool for operation different to those intended could result in hazardous situations. Cut wood only. Don't use this tool for purposes not intended - for example - Don't use tool for cutting plastic, masonry or non wood building materials.
- ◆ If any debris gets caught with the guard or tool discontinue use, remove the battery and clear debris.
- ◆ Worn chains and chain guide bars should be replaced.
- ◆ Only use replacement bars and chains specified by the manufacturer.

### Safety of others

- ◆ This tool is not intended for use by persons (including children) with reduced physical, sensory or mental capabilities, or lack of experience and knowledge, unless they have been given supervision or instruction concerning the use of the appliance by a person responsible for their safety.
- ◆ Children should be supervised to ensure that they do not play with the appliance.

### Vibration

The declared vibration emission values stated in the technical data and the declaration of conformity have been measured in accordance with a standard test method provided by EN 60745 and may be used for comparing one tool with another. The declared vibration emission value may also be used in a preliminary assessment of exposure.

**Warning!** The vibration emission value during actual use of the power tool can differ from the declared value depending on the ways in which the tool is used. The vibration level may increase above the level stated.

When assessing vibration exposure to determine safety measures required by 2002/44/EC to protect persons regularly using power tools in employment, an estimation of vibration exposure should consider, the actual conditions of use and the way the tool is used, including taking account of all parts of the operating cycle such as the times when the tool is switched off and when it is running idle in addition to the trigger time.

### Labels on tools

The following symbols are found on your tool:



**Warning!** To reduce the risk of injury, the user must read the instruction manual.



Do not use your saw in wet conditions or expose it to rain.



Always wear head, hearing and eye protection.



Beware of falling objects.  
Keep bystanders away.



Do not use on ladders.



Check the chain tension after every 10 minutes of use. Adjust back to a clearance of 3 mm.



Oil the chain after every 10 minutes of use.



**Warning!** do not touch chain at the chip ejection point.



Direction of travel of the chain.

### Residual risk

Despite the application of the relevant safety regulations and the implementation of safety measures, certain residual risks are inherent to the use of wood cutting saws and cannot be avoided. These are:

- ◆ Risk of injury arising from contact with moving parts, sharp parts, hot parts, branches or debris falling on the operator, bystanders or property, debris ejected by the tool.
- ◆ Risk of injury arising from un-intended use, falling from a ladder or working position in a tree, damage to the supply cable, use of the tool in wet or hazardous locations, use of the product by young children or infirm persons, failure to wear suitable personal protection or suitable clothing, breathing dust generated from cutting wood.

The above risks have been addressed by including warnings in the safety instructions and/or markings applied to the tool.

### Additional safety instructions for batteries and chargers

#### Batteries

- ◆ Never attempt to open for any reason.
- ◆ Do not expose the battery to water.
- ◆ Do not expose the battery to heat.

- ◆ Do not store in locations where the temperature may exceed 40°C.
- ◆ Charge only at ambient temperatures between 10°C and 40°C.
- ◆ Charge only using the charger provided with the appliance/tool. Using the wrong charger could result in an electric shock or overheating of the battery.
- ◆ When disposing of batteries, follow the instructions given in the section "Protecting the environment".
- ◆ Do not damage/deform the battery pack either by puncture or impact, as this may create a risk of injury and fire.
- ◆ Do not charge damaged batteries.
- ◆ Under extreme conditions, battery leakage may occur. When you notice liquid on the batteries, carefully wipe the liquid off using a cloth. Avoid skin contact.
- ◆ In case of skin or eye contact, follow the instructions below.

**Warning!** The battery fluid may cause personal injury or damage to property. In case of skin contact, immediately rinse with water. If redness, pain or irritation occurs seek medical attention. In case of eye contact, rinse immediately with clean water and seek medical attention.

## Chargers

Your charger has been designed for a specific voltage. Always check that the mains voltage corresponds to the voltage on the rating plate.

**Warning!** Never attempt to replace the charger unit with a regular mains plug.

- ◆ Use your Black & Decker charger only to charge the battery in the tool with which it was supplied. Other batteries could burst, causing personal injury and damage.
- ◆ Never attempt to charge non-rechargeable batteries.
- ◆ If the supply cord is damaged, it must be replaced by the manufacturer or an authorised Black & Decker Service Centre in order to avoid a hazard.
- ◆ Do not expose the charger to water.
- ◆ Do not open the charger.
- ◆ Do not probe the charger.
- ◆ The appliance/tool/battery must be placed in a well ventilated area when charging.

## Labels on the charger

The following symbols are found on your charger:



Your charging base is double insulated; therefore no earth wire is required. Always check that the power supply corresponds to the voltage on the rating plate.



The charging base is intended for indoor use only.



**Warning!** To reduce the risk of injury, the user must read the instruction manual.

## Features

1. Top jaw
2. Lower jaw
3. Chain guide bar
4. Oiling cover
5. Latch
6. Battery
7. On/off switch actuators
8. Chipping ejection point
9. Charger

## Assembly

**Warning!** Before assembly, remove the battery (6) from the tool.

### Fitting and removing the battery (fig. A)

- ◆ To fit the battery (6), line it up with the receptacle on the tool. Slide the battery (6) into the receptacle and push until the battery (6) snaps into place.
- ◆ To remove the battery (6), push the release button (18) while at the same time pulling the battery (6) out of the receptacle.

### Fitting the battery cap (fig. K)

**Warning!** Fit the cap (17) to the battery (6) for transportation and storage.

### Opening the handles (fig. B)

- ◆ To open the handles, slide the latch (5) backwards and pull the handles apart.
- ◆ After use, close the handles and slide the latch (5) forward to the lock position. The handles should be locked during transportation and storage.

### Chain tension adjustment (fig. C)

**Warning!** Before adjusting the chain tension or any other adjustments, make sure that the tool is switched off and the battery removed.

**Warning!** The chain guide bar and the saw chain may be hot after use. Allow to cool before adjustment.

The product comes ready assembled. However we recommend that you check the tension of the saw chain (14), and chain access cover retention bolts before use and adjust if required.

### Checking and adjusting the saw chain tension (fig. C)

To tension the saw chain (14) slacken the two chain cover retention bolts (12) with the spanner (13) and the chain tensioning device will push the chain guide bar (3) out, setting the correct tension. Retighten the two retention bolts (12) securely.

Check the correct tension has been set by lightly pulling on the saw chain (14). The tension is correct when the saw chain snaps back after being pulled 3 mm away from the guide bar. There should be no "sag" between the chain guide bar (3) and the saw chain (14) on the underside.

**Note:** Do not over tension the saw chain as this will lead to excessive wear and reduce the life of the bar and saw chain. It will also lead to reduced product performance.

**Note:** With first use and when the saw chain is new, check tension frequently as a new saw chain stretches slightly.

### Replacing the saw chain and chain guide bar

After prolonged use the saw chain (14) and /or chain guide bar (3) may need replacing. Ensure only Black & Decker recommended replacements are used.

### Removing the saw chain and chain guide bar (fig. C & D)



Always wear protective gloves when installing or removing the saw chain (14). The saw chain is sharp and can cut you when it is not running.

**Warning!** The chain guide bar and the saw chain may be hot after use. Allow to cool before replacing.

- ◆ Place the tool on a firm surface.
- ◆ Rotate the two retention bolts (12) counter clockwise with the spanner (13) provided and remove completely.
- ◆ Remove the chain access cover (11).
- ◆ Slide the latch (5) to the unlock position, open the handles and pull back the top jaw (1).
- ◆ Pull back chain guide bar (3) and then lift the saw chain (14) out of the groove in the guide bar. The saw chain can then be removed from the unit.
- ◆ The chain guide bar (3) can then be angled up and removed.

### Assembling the chain guide bar and saw chain (fig. E & F)

**Warning!** Always wear protective gloves when installing or removing the saw chain. The saw chain is sharp and can cut you when it is not running.

- ◆ Ensure the operation is carried out on a firm surface.
- ◆ Slide the latch (5) to the unlock position, open the handles and pull back the top jaw (1).
- ◆ Insert the chain guide bar (3) into the space between the chain tensioner and align with the chain guide bar

locator, angle the chain guide bar (3) down ensuring it is correctly located.

- ◆ Place the saw chain (14) around the front of the chain guide bar (3).
- ◆ Pull the chain guide bar (3) and the saw chain (14) back, engaging it in the groove in the chain guide bar (3) and then over the sprocket (16) positioning teeth in the correct position on the sprocket.
- ◆ Replace the chain access cover (11) and the two retention bolts (12) tightening securely.
- ◆ Ensure the saw chain (14) is fitted correctly with reference to the markings on the tool.

### Oiling (fig. G)

- ◆ Before first use and every ten minutes of use you must oil the product with the correct chain oil. (Cat No A6027) Open the oiling cover (4) and insert the bottle into the oil filling hole (15), apply pressure to the bottle once to dispense oil.
- ◆ This should be adequate for about 10 minutes of cutting depending upon cutting speed and type of wood.

The hole feeds the oil through to the saw chain on to the chain guide bar (3) and an excessive amount of oil applied to the unit could mean the oil drips from the unit around the jaw area. This is normal and is nothing to be concerned about.

## Use

### Charging the battery (fig. H)

**Warning!** Let the tool work at its own pace, Do not overload.

### Charging

**Warning!** Do not charge the battery at ambient temperatures below 10°C or above 40°C. Recommended charging temperature is approximately 24°C.

**Note:** The charger will not charge a battery pack if the cell temperature is below approximately 0°C or above 60°C.

- ◆ Leave the battery pack in the charger and the charger will begin to charge automatically when the cell temperature warms up or cools down.
- ◆ Plug in the charger (9) and switch on at the mains.
- ◆ Insert the battery pack (6) into the charger. Make sure that the battery pack is fully seated in the charger (9).
- ◆ The charging indicator will flash continuously.
- ◆ The charge is complete when the charging indicator lights continuously.
- ◆ The charger and the battery pack can be left connected indefinitely with the LED illuminated. The LED will flash (charging state) as the charger occasionally 'tops off' the battery charge.
- ◆ The charging indicator will be lit as long as the battery pack is connected to the plugged in charger.

Charge discharged batteries within 1 week. Battery life will be greatly diminished if stored in a discharged state.

## Charge indicators

If the charger detects a problem with a battery pack, the charge indicator will flash at a fast rate.

- ◆ If this occurs, re-insert the battery pack (6).
- ◆ If the problem persists, put a different battery pack in the charger to determine if the charger is OK.
- ◆ If the new battery pack charges correctly, then the original battery pack is defective and should be returned to a service centre for recycling.
- ◆ If the new battery pack gives the same indication as the original, take the charger to be tested at an authorized service centre.

**Note:** It may take as long as fifteen minutes to determine that the pack is defective.

If the battery pack is too hot or too cold, the LED will alternately blink fast and slow, one flash at each speed and repeat.

## Preparation

- ◆ Carry out regular cleaning of the unit as described in the maintenance section and in particular cleaning inside the chain access cover (11).
- ◆ The lower jaw (2) and top jaw (1) are designed to close when one of the handles is released or when the piece of branch being cut has been cut. If this does not occur, discontinue use of the tool and remove the battery from the tool.
- ◆ Check if any debris is blocking movement. To help in this process it may be necessary to remove the chain access cover (11). If on assembly the problem is still present, return the unit to an authorised service centre.

## Switching on and off

**Warning!** Never attempt to lock or fix a switch actuator in the on position.

For your safety, this tool is equipped with a double switching system. This system prevents starting the tool inadvertently.

### Switching on (fig. I)

Ensure a firm grip on the handles and then squeeze both switch actuators (5) to switch the unit on.

### Switching off (fig. I)

Release either of the switches.

**Note:** Both switches must be activated for the product to be used.

Do not force the tool - allow it to do the work. It will do a better and safer job at the speed for which it is designed. Excessive force will stretch the saw chain.

If the saw chain (14) or guide bar (3) becomes jammed:

- ◆ Switch the tool off.

- ◆ Disconnect the battery from the tool.

Open the cut with wedges to relieve the strain on the guide bar. Do not try to wrench the saw free. Start a fresh cut.

## Trimming branches (fig. J)

Ensure that there are no local by-laws or regulations that would prohibit or control the trimming of the tree limbs.

- ◆ Make sure the tool is running at full speed before making a cut.
- ◆ Hold the tool firmly in place to avoid possible bouncing or sideways movement of the tool.
- ◆ Guide the tool using light pressure.
- ◆ Always cut down from the top. This way you will avoid pinching the saw chain (14).
- ◆ Remove branches as shown in figure J. Starting from the branch tip, reduce the branch in logical steps cutting off small sections.
- ◆ Remove the tool from the cut while it is running at full speed.

## Maintenance

Your Black & Decker corded/cordless appliance/tool has been designed to operate over a long period of time with a minimum of maintenance. Continuous satisfactory operation depends upon proper tool care and regular cleaning.

**Warning!** Before performing any maintenance on corded/cordless power tools:

- ◆ Switch off and unplug the appliance/tool.
- ◆ Or switch off and remove the battery from the appliance/tool if the appliance/tool has a separate battery pack.
- ◆ Or run the battery down completely if it is integral and then switch off.
- ◆ Unplug the charger before cleaning it. Your charger does not require any maintenance apart from regular cleaning.

Regularly clean the ventilation slots in your appliance/tool/charger using a soft brush or dry cloth.

Regularly clean the motor housing using a damp cloth. Do not use any abrasive or solvent-based cleaner.

Regularly open the chuck and tap it to remove any dust from the interior (when fitted).

## Cleaning

- ◆ Regularly remove the chain access cover (11) and remove any debris that has become trapped.
- ◆ Regularly clean the ventilation slots with a clean, dry paint brush.
- ◆ To clean the tool, use only mild soap and a damp cloth. Never let any liquid get inside the tool and never immerse any part of the tool into liquid.

## Oiling

- ◆ Regularly oil the oiling points (15) as indicated in figure D.

### Transport

- ◆ Always transport the tool with the jaws closed and the latch (5) in the locked position.

### Saw chain sharpening

If you are to get the best possible performance from the tool it is important to keep the teeth of the saw chain sharp.

Guidance for this procedure is found on the sharpener package. For this purpose we recommend the purchase of Black & Decker saw chain sharpening kit A6039 (available from Black & Decker service agents and selected dealers.)

### Replacing worn out saw chains

Replacement saw chains are available through retailers or Black & Decker service agents. Always use genuine spare parts.

### Saw chain sharpness

The saw chain cutters will blunt immediately if they touch the ground or a nail while cutting.

### Saw chain tension

Regularly check the saw chain tension.

### What to do if your chainsaw needs repair

Your tool is in accordance with the relevant safety requirements. Repairs should only be carried out by a qualified person using original spare parts otherwise this may result in considerable danger to the user. We recommend you keep this user manual in a safe place.

### Storage

When the tool will not be used for several months, wipe any metal components with oil. Ideally, leave the battery (6) connected to the charger.

Proceed as follows:

- ◆ Fully charge the battery (6).
- ◆ Remove the battery (6) from the tool.
- ◆ Store the tool and battery (6) in a secure and dry location. The storage temperature must always remain in the range of +5°C to +40°C. Place the battery (6) on a level surface.
- ◆ Before using the tool after prolonged storage, fully charge the battery (6) again.

## Protecting the environment



Separate collection. This product must not be disposed of with normal household waste.

Should you find one day that your Black & Decker product needs replacement, or if it is of no further use to you, do not dispose of it with household waste. Make this product available for separate collection.



Separate collection of used products and packaging allows materials to be recycled and used again. Re-use of recycled materials helps prevent environmental pollution and reduces the demand for raw materials.

Local regulations may provide for separate collection of electrical products from the household, at municipal waste sites or by the retailer when you purchase a new product.

Black & Decker provides a facility for the collection and recycling of Black & Decker products once they have reached the end of their working life. To take advantage of this service please return your product to any authorised repair agent who will collect them on our behalf.

You can check the location of your nearest authorised repair agent by contacting your local Black & Decker office at the address indicated in this manual. Alternatively, a list of authorised Black & Decker repair agents and full details of our after-sales service and contacts are available on the Internet at: [www.2helpU.com](http://www.2helpU.com).

### Batteries



At the end of their useful life, discard batteries with due care for our environment:

- ◆ Do not short-circuit the battery terminals.
- ◆ Do not dispose of the battery(s) in a fire as this may result in a risk of personal injury or an explosion.
- ◆ Run the battery down completely, then remove it from the tool.
- ◆ Batteries are recyclable. Place the battery(s) in a suitable packaging to ensure that the terminals cannot be short-circuited. Take them to any authorised repair agent or a local recycling station.

**Technical data**

<b>GKC1000L H1</b>	
Voltage	Vdc 18
Chain speed (No-load)	m/min 1.9
Maximum diameter of cut	mm 100
Weight	kg 3.5

<b>Battery A1518L</b>	
Input voltage	Vdc 18
Output current	A 3.7
Capacity	Ah 1.5
Battery	Type Li-Ion
Weight	kg 0.45

<b>Charger 9053954*</b>	
Input voltage	Vac 230
Output voltage	Vdc 21
Output current	A 1.9
Approximate charging time	
1.5 Ah battery	hr 1
Weight	kg 0.5

Guaranteed sound pressure level measured according to 2000/14/EC:

$L_{pA}$  (sound pressure) 85 dB(A), uncertainty (K) 3 dB(A)

$L_{WA}$  (sound power) 96 dB(A), uncertainty (K) 3 dB(A)

$L_{WA}$  (guaranteed) 97 dB(A)

Vibration total values (triax vector sum) according to EN 60745:

Cutting freshly felled softwood ( $a_h$ ) = 3.8 m/s<sup>2</sup>,  
uncertainty (K) = 1,5 m/s<sup>2</sup>

**EC declaration of conformity**

MACHINERY DIRECTIVE  
OUTDOOR NOISE DIRECTIVE



**GKC1000L**

Black & Decker declares that these products described under "technical data" are in compliance with:

2006/42/EC,  
EN60745-1,  
2000/14/EC, Chain Saw, Annex VI

Level of sound power according to 2000/14/EC:

$L_{WA}$  (measured sound power) dB 85

$L_{WA}$  (guaranteed sound power) dB 97

For more information, please contact Black & Decker at the following address or refer to the back of the manual.

The undersigned is responsible for compilation of the Technical File and makes this declaration on behalf of Black & Decker.

Kevin Hewitt  
Vice-President Global Engineering  
Black & Decker Europe,  
210 Bath Road, Slough,  
Berkshire, SL1 3YD  
United Kingdom  
22-02-2010

The Alligator™ Lopper is the subject of patent and design applications in Europe, the United States and other countries around the world. ALLIGATOR is a trade mark of the Black & Decker Corporation.

**Guarantee**

Black & Decker is confident of the quality of its products and offers an outstanding guarantee. This guarantee statement is in addition to and in no way prejudices your statutory rights. The guarantee is valid within the territories of the Member States of the European Union and the European Free Trade Area.



If a Black & Decker product becomes defective due to faulty materials, workmanship or lack of conformity, within 24 months from the date of purchase, Black & Decker guarantees to replace defective parts, repair products subjected to fair wear and tear or replace such products to ensure minimum inconvenience to the customer unless:

- ◆ The product has been used for trade, professional or hire purposes.
- ◆ The product has been subjected to misuse or neglect.
- ◆ The product has sustained damage through foreign objects, substances or accidents.
- ◆ Repairs have been attempted by persons other than authorised repair agents or Black & Decker service staff.

To claim on the guarantee, you will need to submit proof of purchase to the seller or an authorised repair agent. You can check the location of your nearest authorised repair agent by contacting your local Black & Decker office at the address indicated in this manual. Alternatively, a list of authorised Black & Decker repair agents and full details of our after-sales service and contacts are available on the Internet at: **[www.2helpU.com](http://www.2helpU.com)**.

Please visit our website **[www.blackanddecker.co.uk](http://www.blackanddecker.co.uk)** to register your new Black & Decker product and to be kept up to date on new products and special offers. Further information on the Black & Decker brand and our range of products is available at **[www.blackanddecker.co.uk](http://www.blackanddecker.co.uk)**.

## Bestimmungsgemäße Verwendung

Der Astschneider Black & Decker Alligator™ ist für den Beschnitt von Baumästen, für das Sägen von herabgefallenen Ästen und für das Sägen kleinerer Stämme mit einem Durchmesser von 25 mm bis 100 mm vorgesehen. Voraussetzung ist in jedem Fall, dass der Bediener auf dem Boden steht. Dieses Gerät ist nicht für den gewerblichen Einsatz vorgesehen.

## Sicherheitshinweise

### Allgemeine Sicherheitswarnungen für das Gerät



**Achtung! Lesen Sie sämtliche Sicherheitswarnungen und Anweisungen.**

Die Nichteinhaltung der aufgeführten Anweisungen kann einen elektrischen Schlag, Brand und/oder schwere Verletzungen verursachen.

### Bewahren Sie alle Warnungen und Anweisungen gut auf.

Der nachfolgend verwendete Begriff „Gerät“ bezieht sich auf netzbetriebene Geräte (mit Netzkabel) und auf akkubetriebene Geräte (ohne Netzkabel).

1. **Sicherheit im Arbeitsbereich**
  - a. **Halten Sie Ihren Arbeitsbereich sauber und gut ausgeleuchtet.** Unordnung und dunkle Arbeitsbereiche können zu Unfällen führen.
  - b. **Arbeiten Sie mit Geräten nicht in explosionsgefährdeter Umgebung, in der sich brennbare Flüssigkeiten, Gase oder Stäube befinden.** Geräte erzeugen Funken, die den Staub oder die Dämpfe entzünden können.
  - c. **Halten Sie Kinder und andere Personen während der Benutzung eines Geräts fern.** Bei Ablenkung können Sie die Kontrolle verlieren.
2. **Elektrische Sicherheit**
  - a. **Der Netzstecker des Geräts muss in die Steckdose passen. Der Stecker darf in keiner Weise verändert werden. Verwenden Sie für schutzgeerdete Geräte keine Adapterstecker.** Unveränderte Stecker und passende Steckdosen verringern das Risiko eines elektrischen Schlags.
  - b. **Vermeiden Sie Körperkontakt mit geerdeten Oberflächen von Rohren, Heizungen, Herden und Kühlschränken.** Es besteht ein erhöhtes Risiko eines elektrischen Schlags, wenn Ihr Körper geerdet ist.
  - c. **Halten Sie Geräte von Regen und Feuchtigkeit fern.** Das Eindringen von Wasser in ein Gerät erhöht das Risiko eines elektrischen Schlags.
3. **Sicherheit von Personen**
  - a. **Seien Sie aufmerksam, achten Sie darauf, was Sie tun, und gehen Sie vernünftig mit dem Gerät um. Benutzen Sie das Gerät nicht, wenn Sie müde sind oder unter dem Einfluss von Drogen, Alkohol oder Medikamenten stehen.** Ein Moment der Unachtsamkeit beim Gebrauch von Geräten kann zu ernsthaften Verletzungen führen.
  - b. **Verwenden Sie eine geeignete Schutzausrüstung. Tragen Sie stets eine Schutzbrille.** Schutzausrüstung wie Staubmaske, rutschfeste Sicherheitsschuhe, Schutzhelm oder Gehörschutz, je nach Art und Einsatz des Geräts, verringert das Risiko von Verletzungen.
  - c. **Vermeiden Sie eine unbeabsichtigte Inbetriebnahme. Vergewissern Sie sich, dass das Gerät ausgeschaltet ist, bevor Sie es an eine Steckdose oder einen Akku anschließen, es hochheben oder tragen.** Durch das Tragen des Geräts mit dem Finger am Schalter oder durch das Anschließen eingeschalteter Geräte werden Unfälle provoziert.
  - d. **Entfernen Sie Einstell- oder Schraubenschlüssel, bevor Sie das Gerät einschalten.** Ein Schlüssel in einem sich drehenden Teil kann zu Verletzungen führen.
  - e. **Beugen Sie sich nicht zu weit nach vorn über. Achten Sie auf einen sicheren Stand, um in jeder Arbeitsposition das Gleichgewicht zu halten.** Dadurch können Sie das Gerät in unerwarteten Situationen besser unter Kontrolle halten.
- d. **Verwenden Sie das Kabel ordnungsgemäß. Verwenden Sie es niemals zum Tragen. Trennen Sie das Gerät nicht durch Ziehen am Kabel vom Netz. Halten Sie das Kabel fern von Hitze, Öl, scharfen Kanten oder sich bewegenden Teilen.** Beschädigte oder verwickelte Kabel erhöhen das Risiko eines elektrischen Schlags.
- e. **Wenn Sie mit einem Gerät im Freien arbeiten, verwenden Sie nur Verlängerungskabel, die auch für den Außenbereich zugelassen sind.** Die Verwendung eines für den Außenbereich geeigneten Verlängerungskabels verringert das Risiko eines elektrischen Schlags.
- f. **Wenn ein Elektrowerkzeug in einer feuchten Umgebung verwendet werden muss, schließen Sie es unbedingt an eine Steckdose mit Fehlerstromschutzschalter (RCD) an.** Ein Fehlerstromschutzschalter verringert das Risiko eines elektrischen Schlags.

- f. **Tragen Sie geeignete Kleidung. Tragen Sie keine weite Kleidung oder Schmuck. Halten Sie Haare, Kleidung und Handschuhe von sich bewegenden Teilen fern.** Lockere Kleidung, Schmuck oder lange Haare können von sich bewegenden Teilen erfasst werden.
- g. **Falls Staubabsaug- und -fangvorrichtungen vorhanden sind, vergewissern Sie sich, dass diese angeschlossen sind und richtig verwendet werden.** Diese Vorrichtungen verringern Gefährdungen durch Staub.
4. **Gebrauch und Pflege von Geräten**
- a. **Überlasten Sie das Gerät nicht. Verwenden Sie das für Ihre Arbeit passende Gerät.** Durch das Arbeiten in dem für das Gerät angegebenen Leistungsbereich erzielen Sie nicht nur optimale Ergebnisse, Sie erhöhen auch die Sicherheit.
- b. **Verwenden Sie das Gerät nicht, wenn der Ein-/Ausschalter nicht funktioniert.** Ein Gerät, das sich nicht mehr ein- oder ausschalten lässt, ist gefährlich und muss repariert werden.
- c. **Ziehen Sie den Stecker aus der Steckdose oder trennen Sie das Gerät vom Akku, bevor Sie Einstellungen vornehmen, Zubehörteile wechseln oder das Gerät weglegen.** Diese Vorsichtsmaßnahme verhindert den unbeabsichtigten Start des Geräts.
- d. **Bewahren Sie unbenutzte Geräte außerhalb der Reichweite von Kindern auf. Lassen Sie Geräte nicht von Personen benutzen, die damit nicht vertraut sind oder diese Anweisungen nicht gelesen haben.** Geräte sind gefährlich, wenn sie von unerfahrenen Personen benutzt werden.
- e. **Halten Sie Geräte in einem einwandfreien Zustand. Kontrollieren Sie, ob bewegliche Teile falsch ausgerichtet sind oder klemmen und ob Teile gebrochen oder so beschädigt sind, dass die Funktion des Geräts beeinträchtigt ist. Lassen Sie beschädigte Geräte vor dem Gebrauch reparieren.** Durch schlecht gewartete Geräte werden zahlreiche Unfälle verursacht.
- f. **Halten Sie Schneidwerkzeuge scharf und sauber.** Sorgfältig gepflegte Schneidwerkzeuge mit scharfen Schneidkanten verklemmen sich weniger und sind leichter zu führen.
- g. **Verwenden Sie Gerät, Zubehör, Einsätze usw. entsprechend diesen Anweisungen, und berücksichtigen Sie dabei die Arbeitsbedingungen und die auszuführende Arbeit.** Der Gebrauch von Geräten für andere als die vorgesehenen Anwendungen kann zu gefährlichen Situationen führen.

5. **Gebrauch und Pflege von batteriebetriebenen Geräten**
- a. **Laden Sie den Akku nur mit dem vom Hersteller vorgesehenen Ladegerät auf.** Die Verwendung von Ladegeräten, die für eine andere Art von Akku bestimmt sind, kann dazu führen, dass sich der Akku beim Laden entzündet.
- b. **Verwenden Sie nur die für das jeweilige Gerät vorgesehenen Akkus.** Die Verwendung anderer Akkus kann zu Verletzungen oder Bränden führen.
- c. **Bewahren Sie den Akku bei Nichtbenutzung nicht in der Nähe metallischer Objekte wie Büroklammern, Münzen, Schlüssel, Nägel oder Schrauben auf, da diese eine Verbindung zwischen beiden Polen des Akkus herstellen können.** Durch den dadurch entstehenden Kurzschluss kann der Akku in Brand geraten.
- d. **Durch unsachgemäßen Gebrauch können Flüssigkeiten aus dem Akku austreten. Berühren Sie diese nicht! Sollten Sie dennoch unbeabsichtigt mit diesen in Berührung kommen, waschen Sie die betroffenen Stellen sofort mit reichlich Wasser ab. Suchen Sie sofort einen Arzt auf, wenn die Flüssigkeit in Kontakt mit Ihren Augen gekommen ist.** Flüssigkeiten aus Akkus können Hautreizungen oder Verbrennungen hervorrufen.
6. **Service**

**Lassen Sie das Gerät nur von qualifiziertem Fachpersonal und nur mit Originalersatzteilen reparieren.** Damit wird gewährleistet, dass die Sicherheit des Geräts erhalten bleibt.

#### Zusätzliche Sicherheitswarnungen für das Gerät



**Achtung!** Zusätzliche Sicherheitshinweise für den Astschneider Alligator™.

**Achtung!** Verwenden Sie das Gerät niemals über Schulterhöhe. Stellen Sie sich immer so auf, dass Sie nicht von herabfallenden Ästen oder Holzstücken getroffen werden können.

**Achtung!** Dieses Gerät darf nicht zum Fällen von Bäumen verwendet werden.

- ♦ Halten Sie alle Körper- und Kleidungsstücke von der Kette fern, während das Gerät in Betrieb ist. Halten Sie das Gerät vor dem Körper, und achten Sie auf die Position der Kette, insbesondere wenn Sie Äste in Bodennähe schneiden. Vergewissern Sie sich vor dem Einschalten, dass die Kette keine Gegenstände berührt.

- ◆ Planen Sie einen sicheren Fluchtweg vor herabfallenden Ästen und Holzstücken. Sie darauf, dass der Fluchtweg frei von Hindernissen ist, die Ihre Bewegungsfreiheit stören könnten. Berücksichtigen Sie, dass feuchtes Gras und frisch geschnittene Baumrinde rutschig sind.
  - ◆ Schätzen Sie die Richtung ab, in die ein Ast fallen kann. Berücksichtigen Sie dabei alle Faktoren, die die Fallrichtung beeinflussen können:
    - gewünschte Fallrichtung
    - wuchsbedingte Neigung des Astes
    - Morschheit oder außergewöhnlich schwere Holzstruktur
    - Bäume und Hindernisse in der Umgebung (evtl. frei verlegte Stromleitungen)
    - Windgeschwindigkeit und Windrichtung
  - ◆ Der Sicherheitsabstand zwischen dem zu schneidenden Ast und Passanten, Gebäuden und anderen Gegenständen beträgt mindestens das 2,5-fache der Astlänge. Für Gegenstände, Gebäude oder Passanten innerhalb dieses Abstandsbereichs besteht die Gefahr, von dem herabfallenden Ast getroffen zu werden.
  - ◆ Machen Sie sich beim Durchtrennen eines Astes unter Spannung auf das Zurückschnellen gefasst. Sobald die Spannung in den Holzfasern freigesetzt wird, kann der Ast den Bediener treffen und/oder gegen das Gerät schlagen und dieses außer Kontrolle bringen.
  - ◆ Tragen Sie bei der Arbeit mit dem Gerät immer geeignete Schutzkleidung. Dazu gehören rutschfeste Sicherheitsschuhe, ein Schutzhelm, eine Schutzbrille, ein Gehörschutz und Handschuhe.
  - ◆ Stellen Sie sicher, dass sich für den Fall eines Unfalls jemand in der Nähe befindet (jedoch in ausreichendem Sicherheitsabstand).
  - ◆ Arbeiten Sie nicht mit dem Gerät, während Sie im Baum, auf einer Leiter oder einer anderen instabilen Fläche stehen.
  - ◆ Achten Sie jederzeit auf einen sicheren Stand, und halten Sie jederzeit das Gleichgewicht.
  - ◆ Halten Sie das Gerät fest mit beiden Händen, während der Motor läuft.
  - ◆ Achten Sie darauf, dass die Griffe trocken, sauber sowie frei von Öl und Fett sind. Schmierige, ölige Griffe sind rutschig. Dadurch ist die Kontrolle über das Gerät nicht mehr gewährleistet.
  - ◆ Bei laufender Kette darf die Spitze des Führungsschwerter nicht mit einem Gegenstand in Kontakt kommen.
  - ◆ Die Kette muss immer richtig gespannt sein. Prüfen Sie die Kettenspannung regelmäßig bei stehendem Motor und abgezogenem Stromkabel.
  - ◆ Zu Beginn und während des Schnitts muss die Kette immer mit voller Geschwindigkeit laufen.
  - ◆ Achten Sie auf die Bewegung des geschnittenen Asts und auf andere Kräfte, die dazu führen könnten, dass sich der Schnittpalt schließt und die Kette einklemmt oder dass Holz in die laufende Kette fällt.
  - ◆ Arbeiten Sie mit höchster Vorsicht, wenn Sie die Säge in einen vorhandenen Schnittpalt einführen. Setzen Sie die Zacken des unteren Klauenbügels am Holz an, und warten Sie, bis die Kette ihre volle Geschwindigkeit erreicht hat, bevor Sie den Schnitt fortsetzen.
  - ◆ Der Gebrauch des Geräts für andere als die vorgesehenen Anwendungen kann zu gefährlichen Situationen führen. Schneiden Sie nur in Holz. Verwenden Sie dieses Gerät nicht zweckentfremdet. Schneiden Sie mit dem Gerät beispielsweise keinen Kunststoff, kein Mauerwerk und keine Baumaterialien, die nicht aus Holz sind.
  - ◆ Wenn sich zwischen Kette und Kettenschutz oder an anderen Stellen des Geräts Materialreste verfangen, entnehmen Sie den Akku, und beseitigen Sie das Material.
  - ◆ Verschlissene Ketten und Führungsschwerter müssen ausgetauscht werden.
  - ◆ Als Ersatzteile dürfen nur die vom Hersteller bezeichneten Schwerter und Ketten verwendet werden.
- Sicherheit anderer Personen**
- ◆ Dieses Gerät darf nicht von Personen (einschließlich Kindern) mit eingeschränkten körperlichen, sensorischen oder geistigen Fähigkeiten sowie mangelnder Erfahrung und Wissen in Bezug auf dessen Gebrauch bedient werden, es sei denn, sie werden bei der Verwendung des Geräts von einer für die Sicherheit verantwortlichen Person beaufsichtigt oder angeleitet.
  - ◆ Kinder müssen beaufsichtigt werden, um sicherzustellen, dass sie nicht mit dem Gerät spielen.
- Vibration**
- Die in den Abschnitten „Technische Daten“ und EU-Konformitätserklärung“ angegebenen Werte für die Vibrationsemission wurden mit einer Standard-Prüfmethode nach EN 60745 ermittelt und können zum Vergleich verschiedener Geräte herangezogen werden. Außerdem kann mit Hilfe dieser Werte die Belastung bei Verwendung des Geräts schon im Voraus eingeschätzt werden.
- Achtung!** Die bei Verwendung des Geräts auftretende Vibrationsemission hängt von der Art des Gerätegebrauchs ab und kann dementsprechend vom angegebenen Wert abweichen. Gegebenenfalls kann die Vibration über dem angegebenen Wert liegen.

Mit Hilfe der ermittelten Werte der Vibrationsbelastung durch Elektrogeräte lassen sich Sicherheitsmaßnahmen festlegen, die gemäß 2002/44/EG zum Schutz von Personen bestimmt sind, die diese Geräte regelmäßig bei der Arbeit verwenden. Bei der Einschätzung der Vibrationsbelastung sollten die Gebrauchsumstände und die Art der Verwendung des Geräts sowie alle Schritte des Arbeitszyklus berücksichtigt werden, wozu Ruhe-, Leerlauf- und Startzeiten gehören.

### Warnsymbole am Gerät

Die folgenden Symbole sind auf dem Gerät angebracht:



**Achtung!** Lesen Sie vor Gebrauch die Anleitung durch. Andernfalls besteht Verletzungsgefahr.



Verwenden Sie die Säge nicht in nasser Umgebung, und schützen Sie sie vor Regen.



Tragen Sie stets Kopf-, Gehör- und Augenschutz.



Achten Sie auf herabfallende Gegenstände.



Halten Sie Zuschauer aus dem Gefahrenbereich fern.



Arbeiten Sie nicht mit dem Gerät, während Sie auf einer Leiter stehen.



Prüfen Sie die Kettenspannung nach jeweils 10 Minuten Betrieb. Stellen Sie das Spiel ggf. wieder auf 3 mm ein.



Ölen Sie die Kette nach jeweils 10 Minuten Betrieb.



**Achtung:** Greifen Sie nicht am Spanauswurf in die Kette.



Laufrichtung der Kette

### Restrisiko

Trotz aller Sicherheitsmaßnahmen und trotz Einhaltung der einschlägigen Sicherheitsvorschriften bleibt die Verwendung von Holzsägen prinzipbedingt mit Gefahren verbunden, die sich nicht vermeiden lassen. Dies sind:

- ◆ Gefahr der Verletzung durch Kontakt mit bewegten Teilen, scharfen Teilen und heißen Teilen, durch Äste oder Späne, die auf den Bediener, auf Zuschauer oder Gebäude fallen sowie durch Späne und Splitter, die vom Gerät ausgeworfen werden.
- ◆ Gefahr der Verletzung durch unbeabsichtigten Betrieb des Geräts, durch Herabfallen von der Arbeitsposition

auf einer Leiter oder in einem Baum, durch Beschädigung des Netzkabels, Verwendung des Geräts in nasser oder gefährlicher Umgebung, Verwendung durch Kinder oder Personen, die mit der Bedienung nicht vertraut sind, durch fehlende oder ungeeignete Arbeitsschutzmittel bzw. Arbeitskleidung sowie durch Einatmen des beim Sägen entstehenden Holzstaubs.

Die oben beschriebenen Gefahren wurden durch Warnungen in den Sicherheitshinweisen und/oder durch entsprechende Symbole und Markierungen am Gerät kenntlich gemacht.

### Zusätzliche Sicherheitshinweise für Akkus und Ladegeräte

#### Akkus

- ◆ Auf keinen Fall öffnen.
- ◆ Achten Sie darauf, dass der Akku nicht mit Wasser in Berührung kommt.
- ◆ Setzen Sie den Akku keinen hohen Temperaturen aus.
- ◆ Nicht bei Temperaturen über 40°C lagern.
- ◆ Laden Sie den Akku nur bei Umgebungstemperaturen von 10°C bis 40°C.
- ◆ Verwenden Sie ausschließlich das mit dem Gerät gelieferte Ladegerät. Die Verwendung des falschen Ladegeräts kann einen Stromschlag oder das Überhitzen des Akkus zur Folge haben.
- ◆ Bei der Entsorgung von Akkus die Hinweise im Abschnitt „Umweltschutz“ beachten.
- ◆ Der Akku darf nicht durch mechanische Krafteinwirkung oder Belastungen beschädigt oder verformt werden. Andernfalls besteht Verletzungs- und Brandgefahr.
- ◆ Laden Sie beschädigte Akkus nicht auf.
- ◆ Unter extremen Bedingungen können Akkus undicht werden. Wenn Sie bemerken, dass Flüssigkeit austritt, wischen Sie diese vorsichtig mit einem Tuch ab. Vermeiden Sie Hautkontakt.
- ◆ Beachten Sie nach Haut- oder Augenkontakt die folgenden Hinweise.

**Achtung!** Batteriesäure kann Sach- oder Personenschäden verursachen. Spülen Sie die Säure nach Hautkontakt sofort mit Wasser ab. Suchen Sie einen Arzt auf, wenn sich auf der Haut Rötungen, Reizungen oder andere Irritationen zeigen. Spülen Sie das Auge nach Augenkontakt sofort mit sauberem Wasser aus, und suchen Sie einen Arzt auf.

#### Ladegerät

Das Ladegerät ist für eine bestimmte Spannung ausgelegt. Stellen Sie sicher, dass die Netzspannung der auf dem Typenschild des Geräts angegebenen Spannung entspricht.

**Achtung!** Ersetzen Sie das Ladegerät keinesfalls durch ein normales Netzkabel.

- ◆ Verwenden Sie das Black & Decker Ladegerät nur für den Akku des Gerts, mit dem es geliefert wurde. Andere Akkus könnten platzen und Sachschäden oder Verletzungen verursachen.
- ◆ Versuchen Sie keinesfalls, nicht aufladbare Batterien zu laden.
- ◆ Ist das Netzkabel beschädigt, muss es durch den Hersteller oder eine Black & Decker Vertragswerkstatt ausgetauscht werden, um eine mögliche Gefährdung zu vermeiden.
- ◆ Achten Sie darauf, dass das Ladegerät nicht mit Wasser in Berührung kommt.
- ◆ Versuchen Sie nicht, das Ladegerät zu öffnen.
- ◆ Nehmen Sie am Ladegerät keine Veränderungen vor.
- ◆ Während das Gerät/der Akku geladen wird, muss auf ausreichende Belüftung geachtet werden.

## Warnsymbole auf dem Ladegerät

Am Ladegerät sind die folgenden Symbole angebracht:



Die Ladestation ist schutzisoliert, daher ist keine Erdleitung erforderlich. Überprüfen Sie immer, ob die Netzspannung der auf dem Typenschild des Geräts angegebenen Spannung entspricht.



Die Ladestation darf nur im Innenbereich verwendet werden.



**Achtung!** Lesen Sie vor Gebrauch die Anleitung durch. Andernfalls besteht Verletzungsgefahr.

## Merkmale

1. Obere Klaue
2. Untere Klaue
3. Kettenführungsschwert
4. Abdeckung für die Ölschmierung
5. Verriegelung
6. Akku
7. Ein-/Aus-Schalter
8. Spanauswurf
9. Ladegerät

## Montage

**Achtung!** Entfernen Sie vor der Montage den Akku (6) aus dem Gerät.

### Einsetzen und Entfernen des Akkus (Abb. A)

- ◆ Um den Akku (6) einzusetzen, richten Sie ihn an der Aufnahme am Gerät aus. Schieben Sie den Akku (6) in die Aufnahme bis der Akku (6) in die richtige Position gelangt und einrastet.

- ◆ Um den Akku (6) zu entfernen, drücken Sie die Entriegelungstaste (18) und ziehen Sie gleichzeitig den Akku (6) aus der Aufnahme.

### Anbringen der Akkukappe (Abb. K)

**Achtung!** Verwenden Sie die Akkukappe (17) zum Transport und zur Aufbewahrung des Akkus (6).

### Öffnen der Griffe (Abb. B)

- ◆ Um die Griffe zu öffnen, schieben Sie die Verriegelung (5) zurück und ziehen Sie die Griffe auseinander.
- ◆ Schließen Sie nach jedem Gebrauch die Griffe, und schieben Sie die Verriegelung (5) nach vorn in die verriegelte Position. Die Griffe sollten während des Transports und zur Aufbewahrung blockiert sein.

### Einstellen der Kettenspannung (Abb. C)

**Achtung!** Vergewissern Sie sich vor dem Einstellen der Kettenspannung oder anderen Einstellungen, dass das Gerät ausgeschaltet ist und der Akku entfernt wurde.

**Achtung!** Das Führungsschwert und die Sägekette können nach Gebrauch des Geräts heiß sein. Warten Sie, bis sich das Gerät abgekühlt hat, bevor Sie mit der Einstellung beginnen.

Das Gerät wird betriebsfertig montiert geliefert. Es empfiehlt sich jedoch, vor der ersten Verwendung die Spannung der Kette (14) sowie den Sitz der Arretierungsschrauben an der Kettenschutzhaube zu überprüfen und ggf. zu korrigieren.

### Prüfen und Einstellen der Kettenspannung (Abb. C)

Um die Sägekette (14) zu spannen, lösen Sie mit dem Schraubenschlüssel (13) die beiden Arretierungsschrauben (12) an der Kettenschutzhaube. Die Kettenspannvorrichtung drückt das Führungsschwert nach außen. Damit ergibt sich automatisch die richtige Spannung. Ziehen Sie die beiden Arretierungsschrauben (12) wieder fest an.

Überprüfen Sie die Kettenspannung, indem Sie die Kette (14) leicht vom Führungsschwert wegziehen. Die Spannung ist dann richtig, wenn die Kette in einem Abstand von 3 mm vom Führungsschwert zurückschnappt. Die Kette (14) muss auch an der Unterseite des Führungsschwerts (3) eng anliegen. Es darf kein Durchhang vorhanden sein.

**Hinweis:** Überspannen Sie die Kette nicht. Dies würde den Verschleiß erhöhen und die Lebensdauer von Kette und Führungsschwert verkürzen. Außerdem würde sich dadurch die Geräteleistung verringern.

**Hinweis:** Wenn eine neue Kette die ersten Male verwendet wird, muss die Spannung häufiger geprüft werden, da sich neue Ketten etwas dehnen.

### Austauschen der Sägekette und des Führungsschwerts

Nach längerem Gebrauch müssen eventuell die Kette (14) und/oder das Führungsschwert (3) erneuert werden. Verwenden Sie ausschließlich die von Black & Decker empfohlenen Ersatzteile.

### Entfernen der Sägekette und des Führungsschwerts (Abb. C und D)



Tragen Sie beim Aufziehen und Abnehmen der Sägekette (14) immer eine Schutzbrille. Die Sägekette ist scharf und kann auch in ruhendem Zustand zu Schnittverletzungen führen.

**Achtung!** Das Führungsschwert und die Sägekette können nach Gebrauch des Geräts heiß sein. Warten Sie, bis sich diese Teile abgekühlt haben.

- ◆ Legen Sie das Gerät auf eine stabile Unterlage.
- ◆ Drehen Sie die beiden Arretierungsschrauben (12) mit dem mitgelieferten Schraubenschlüssel (13) gegen den Uhrzeigersinn, und entfernen Sie diese vollständig.
- ◆ Nehmen Sie die Kettenschutzhaube ab (11).
- ◆ Schieben Sie die Verriegelung (5) in die entriegelte Position, öffnen Sie die Griffe, und ziehen Sie die obere Klaue (1) zurück.
- ◆ Ziehen Sie das Führungsschwert (3) zurück, und heben Sie die Sägekette (14) aus der Nut im Führungsschwert. Die Kette kann nun vom Gerät abgenommen werden.
- ◆ Das Führungsschwert (3) kann anschließend angewinkelt und entfernt werden.

### Anbringen des Führungsschwerts und der Kette (Abb. E und F)

**Achtung!** Tragen Sie beim Aufziehen und Abnehmen der Sägekette immer eine Schutzbrille. Die Sägekette ist scharf und kann auch in ruhendem Zustand zu Schnittverletzungen führen.

- ◆ Legen Sie das Gerät unbedingt auf eine stabile Unterlage.
- ◆ Schieben Sie die Verriegelung (5) in die entriegelte Position, öffnen Sie die Griffe, und ziehen Sie die obere Klaue (1) zurück.
- ◆ Setzen Sie das Führungsschwert (3) neben dem Kettenspanner ein, richten Sie es am Führungsbolzen aus, und kippen Sie das Führungsschwert (3) nach unten bis es in die richtige Position gelangt.
- ◆ Legen Sie die Kette (14) um die Spitze des Führungsschwerts (3).
- ◆ Ziehen Sie die Kette (14) und das Führungsschwert (3) zurück, und legen Sie die Kette um das Antriebskettenrad (16). Die Zähne müssen in die richtige Richtung weisen.

- ◆ Legen Sie die Kettenschutzhaube (12) wieder auf, und ziehen Sie die Arretierungsschrauben (12) fest an.
- ◆ Achten Sie darauf, dass die Kette (14) korrekt und entsprechend der Werkzeugmarkierungen eingesetzt wurde.

### Ölen (Abb. G)

- ◆ Bevor das Gerät das erste Mal verwendet wird, muss es mit geeignetem Kettenöl geölt werden (Katalognr. A6027). Dasselbe gilt anschließend nach jeweils 10 Minuten Betrieb. Öffnen Sie die Abdeckung für die Ölschmierung (4), und setzen Sie die Flaschentülle in die Befüllöffnung (15) ein. Drücken Sie dann ein Mal auf die Flasche, so dass Öl austritt.
- ◆ Abhängig von der Schnittgeschwindigkeit und der Holzsorte genügt die damit eingefüllte Menge für ca. 10 Minuten.

Das Öl gelangt durch die Öffnung auf die Kette und damit auf das Führungsschwert (3). Wurde zu viel Öl eingefüllt, tropft dieses im Bereich der Klauen aus dem Gerät. Dies ist normal und verlangt keine weiteren Maßnahmen.

### Gebrauch

#### Laden des Akkus (Abb. H)

**Achtung!** Beschleunigen Sie den Arbeitsvorgang nicht mit Gewalt. Vermeiden Sie eine Überlastung des Geräts.

#### Ladevorgang

**Achtung!** Laden Sie den Akku nicht, wenn die Umgebungstemperatur unter 10°C oder über 40°C liegt. Die empfohlene Ladetemperatur liegt bei 24°C.

**Hinweis:** Ein Akku, bei dem die Temperatur der Batteriezellen unter ca. 0°C oder über 60°C liegt, wird vom Ladegerät nicht geladen.

- ◆ Lassen Sie in diesem Fall den Akku im Ladegerät. Das Ladegerät beginnt automatisch mit dem Ladevorgang, sobald sich die Zellen erwärmt bzw. abgekühlt haben.
- ◆ Schließen Sie das Ladegerät (9) an eine Steckdose an, und schalten Sie die Stromversorgung ein.
- ◆ Setzen Sie den Akku (6) in das Ladegerät ein. Achten Sie darauf, dass der Akku ordnungsgemäß im Ladegerät (9) positioniert ist.
- ◆ Die Ladeanzeige blinkt durchgängig.
- ◆ Der Ladevorgang ist abgeschlossen, wenn die Ladeanzeige dauerhaft leuchtet.
- ◆ Sie können den Akku auf unbestimmte Zeit im Ladegerät belassen. In diesem Fall leuchtet die LED-Anzeige. Die LED-Anzeige beginnt zu blinken (Ladezustand), wenn der Akku gelegentlich nachgeladen wird.
- ◆ Solange der Akku mit dem angeschlossenen Ladegerät verbunden ist, leuchtet die Ladeanzeige.

Ein entladener Akku sollte innerhalb einer Woche wieder aufgeladen werden. Die Lebensdauer des Akkus sinkt drastisch, wenn dieser in entladendem Zustand aufbewahrt wird.

## Ladeanzeige

Wenn das Ladegerät ein Problem mit dem Akku feststellt, blinkt die Ladeanzeige mit hoher Frequenz.

- ◆ Setzen Sie in diesem Fall den Akku (6) erneut ein.
- ◆ Falls das Problem weiterhin besteht, setzen Sie einen anderen Akku in das Ladegerät ein, um die Funktionstüchtigkeit des Ladegeräts zu überprüfen.
- ◆ Falls der neu eingesetzte Akku ordnungsgemäß geladen wird, ist der ursprüngliche Akku defekt. Geben Sie diesen bei einem Service Center ab, damit er recycelt werden kann.
- ◆ Falls bei dem neuen Akku dieselbe Anzeige erscheint wie bei dem ursprünglichen Akku, lassen Sie das Ladegerät von einer autorisierten Vertragswerkstatt überprüfen.

**Hinweis:** Es kann bis zu fünfzehn Minuten dauern, um festzustellen, ob der Akku tatsächlich defekt ist.

Falls der Akku zu warm oder zu kalt sein sollte, blinkt die LED-Anzeige abwechselnd langsam und schnell.

Die Anzeige blinkt hierbei einmal langsam, einmal schnell. Danach wiederholt sich der Vorgang.

## Vorbereitungen

- ◆ Reinigen Sie das Gerät regelmäßig, wie im Abschnitt „Wartung“ beschrieben. Vergessen Sie insbesondere nicht, die Kettenschutzhaube (11) von innen zu reinigen.
- ◆ Die untere Klaue (2) und die obere Klaue (1) schließen sich automatisch, wenn einer der Griffe losgelassen wird oder wenn ein Aststück vollkommen durchtrennt ist. Falls sich die Klauen nicht schließen sollten, stellen Sie den Gebrauch des Geräts sofort ein und entfernen Sie den Akku aus dem Gerät.
- ◆ Prüfen Sie, ob die Bewegung durch Ablagerungen oder Fremdkörper blockiert wird. Dafür kann es notwendig sein, die Kettenschutzhaube (11) abzunehmen. Tritt die Störung nach dem Anbringen der Kettenschutzhaube erneut auf, lassen Sie das Gerät in einer Vertragswerkstatt überprüfen.

## Ein- und Ausschalten

**Achtung!** Versuchen Sie niemals, ein Schalterbetätigungselement in seiner Einschaltstellung zu arretieren oder zu fixieren.

Das Gerät ist zu Ihrer Sicherheit mit einer Zweihandbetätigung ausgestattet. Diese verhindert das versehentliche Einschalten.

## Einschalten (Abb. I)

Halten Sie das Gerät mit beiden Händen an den Griffen sicher fest. Drücken Sie dann beide Schalter (5), um das Gerät einzuschalten.

## Ausschalten (Abb. I)

Lassen Sie einen der beiden Schalter los.

**Hinweis:** Das Gerät läuft nur an, wenn beide Schalter gedrückt sind.

Überlasten Sie das Gerät nicht. Beschleunigen Sie den Arbeitsvorgang nicht mit Gewalt. Das Gerät funktioniert sicherer und liefert bessere Ergebnisse, wenn Sie es mit seiner konstruktionsbedingten Geschwindigkeit arbeiten lassen. Übermäßiger Krafteinsatz dehnt die Kette aus.

Falls die Kette (14) oder das Führungsschwert (3) festklemmt:

- ◆ Schalten Sie das Gerät aus.
- ◆ Entfernen Sie den Akku aus dem Gerät.

Öffnen Sie den Schnittpalt mit Keilen, um den Druck vom Führungsschwert zu nehmen. Versuchen Sie nicht, die Säge mit Ruck- oder Drehbewegungen frei zu bekommen. Beginnen Sie an anderer Stelle einen neuen Schnitt.

## Rückschnitt von Ästen (Abb. J)

Vergewissern Sie sich, dass der Rückschnitt von Bäumen und Gehölzen nicht durch lokale Verordnungen oder Gesetze eingeschränkt oder untersagt wird.

- ◆ Vergewissern Sie sich, dass das Gerät seine volle Geschwindigkeit erreicht hat, bevor Sie die Kette ansetzen.
- ◆ Halten Sie das Gerät fest in seiner Position, um Rückschlag- und Seitwärtsbewegungen des Gerätes zu verhindern.
- ◆ Führen Sie das Gerät nur mit leichtem Druck.
- ◆ Schneiden Sie immer von oben nach unten. So vermeiden Sie, dass die Kette (14) eingeklemmt wird.
- ◆ Kürzen Sie Äste so, wie in Abbildung J dargestellt. Beginnen Sie an der Astspitze, und kürzen Sie die Länge schrittweise ein. Schneiden Sie dabei immer nur kleinere Stücke ab.
- ◆ Heben Sie das Gerät bei voller Kettengeschwindigkeit aus dem Schnittpalt.

## Wartung

Ihr Black & Decker Gerät (mit und ohne Netzkabel) wurde im Hinblick auf eine lange Lebensdauer und einen möglichst geringen Wartungsaufwand entwickelt. Ein dauerhafter, einwandfreier Betrieb setzt eine regelmäßige Pflege und Reinigung voraus.



**Achtung!** Vor dem Ausführen jeglicher Wartungsarbeiten an Geräten mit und ohne Netzkabel:

- ◆ Schalten Sie das Gerät aus, und ziehen Sie den Netzstecker.
- ◆ Wenn das Gerät über einen separaten Akku verfügt, schalten Sie den Akku ab, und entfernen Sie ihn vom Gerät.
- ◆ Wenn der Akku integriert ist, entladen Sie ihn vollständig, und schalten Sie dann ab.
- ◆ Ziehen Sie das Ladegerät aus der Netzsteckdose, bevor Sie es reinigen. Das Ladegerät benötigt keine Wartung, es sollte aber regelmäßig gereinigt werden.

Reinigen Sie regelmäßig die Lüftungsschlitze des Geräts und des Ladegeräts mit einer weichen Bürste oder einem trockenen Tuch.

Reinigen Sie regelmäßig das Motorgehäuse mit Hilfe eines feuchten Tuchs. Verwenden Sie keine scheuernden Reinigungsmittel oder Reinigungsmittel auf Lösungsmittelbasis.

Öffnen Sie regelmäßig das Spannfutter, und entfernen Sie durch Klopfen ggf. Staub aus dem Inneren des Geräts.

### Reinigung

- ◆ Nehmen Sie regelmäßig die Kettenschutzhaube (11) ab, und entfernen Sie sämtliche Ablagerungen, die sich festgesetzt haben.
- ◆ Reinigen Sie die Lüftungsschlitze regelmäßig mit einem sauberen, trockenen Pinsel.
- ◆ Reinigen Sie das Gerät ausschließlich mit milder Seifenlösung und einem angefeuchteten Tuch. Achten Sie darauf, dass keine Flüssigkeit in das Gerät gelangt. Tauchen Sie kein Teil des Gerätes in Flüssigkeit ein.

### Ölen

- ◆ Geben Sie regelmäßig Öl auf die Ölungspunkte (15), wie in Abbildung D dargestellt.

### Transport

- ◆ Transportieren Sie das Gerät immer mit geschlossenen Klauen und mit der Verriegelung (5) in der verriegelten Position.

### Schärfen der Sägekette

Für eine optimale Schneidleistung muss die Sägekette regelmäßig geschärft werden. Anleitungen hierzu finden Sie auf der Verpackung des Schärfers. Wir empfehlen den Kauf des Black & Decker Kettenschärfersatzes A6039 (erhältlich bei Ihrer Black & Decker Vertretung und im Fachhandel).

### Erneuern einer verschlissenen Kette

Austauschketten sind über den Fachhandel oder bei einer Black & Decker Vertretung erhältlich. Verwenden Sie ausschließlich Originalersatzteile.

### Schärfe der Sägekette

Die Zähne der Kette werden sofort stumpf, wenn sie beim Sägen den Boden oder einen Nagel berühren.

### Kettenspannung

Überprüfen Sie regelmäßig die Spannung der Kette.

### Was ist zu tun, wenn die Kettensäge repariert werden muss?

Ihr Gerät erfüllt alle einschlägigen Sicherheitsbestimmungen. Reparaturen sind nur von autorisierten Fachkräften und mit Originalersatzteilen vorzunehmen. Andernfalls besteht Unfall- und Verletzungsgefahr. Bewahren Sie diese Anleitung an einem sicheren Ort auf.

### Aufbewahrung

Wenn das Gerät für mehrere Monate nicht benutzt werden soll, wischen Sie alle Metallteile mit Öl ab. Der Akku (6) sollte am besten im Ladegerät verbleiben.

Gehen Sie folgendermaßen vor:

- ◆ Laden Sie den Akku (6) vollständig auf.
- ◆ Entfernen Sie den Akku (6) aus dem Gerät.
- ◆ Bewahren Sie das Gerät und den Akku (6) an einem sicheren und trockenen Ort auf. Die Temperatur am Aufbewahrungsort muss immer im Bereich von +5°C bis +40°C liegen. Legen Sie den Akku auf einem waagerechten Untergrund ab.
- ◆ Nach langer Lagerzeit sollte vor der Verwendung des Geräts der Akku (6) voll aufgeladen werden.

### Umweltschutz



Getrennte Entsorgung. Dieses Produkt darf keinesfalls mit dem Hausmüll entsorgt werden.

Sollten Sie Ihr Black & Decker Produkt eines Tages ersetzen oder nicht mehr benötigen, entsorgen Sie es nicht mit dem Hausmüll, sondern führen Sie das Produkt einer getrennten Sammlung zu.



Durch die separate Sammlung von ausgedienten Produkten und Verpackungsmaterialien können Rohstoffe recycelt und wiederverwendet werden. Die Wiederverwendung aufbereiteter Materialien trägt zur Vermeidung der Umweltverschmutzung bei und senkt den Rohstoffbedarf.

Die Verordnung zur Abfallentsorgung Ihrer Gemeinde sieht möglicherweise vor, dass Elektrogeräte getrennt vom Hausmüll gesammelt, an der örtlichen Abfallentsorgungseinrichtung abgegeben oder beim Kauf eines neuen Produkts vom Fachhandel zur Entsorgung angenommen werden müssen.

Black & Decker nimmt Ihre ausgedienten Black & Decker Geräte gern zurück und sorgt für eine umweltfreundliche Entsorgung bzw. Wiederverwertung. Um diese Dienstleistung in Anspruch zu nehmen, geben Sie das Gerät bitte bei einer autorisierten Reparaturwerkstatt ab, die für uns die Einsammlung übernimmt.

Die Adresse der zuständigen Niederlassung von Black & Decker steht in dieser Anleitung. Diese teilt Ihnen gerne die nächstgelegene Vertragswerkstatt mit. Außerdem ist eine Liste der Vertragswerkstätten und aller Kundendienststellen von Black & Decker sowie der zuständigen Ansprechpartner im Internet zu finden unter: [www.2helpU.com](http://www.2helpU.com).

## Akkus



Denken Sie bei der Entsorgung von verbrauchten Akkus an unsere Umwelt:

- ◆ Achten Sie darauf, dass die Akkukontakte nicht kurzgeschlossen werden.
- ◆ Werfen Sie Akkus nicht in ein Feuer, da dies Verletzungen oder eine Explosion zur Folge haben kann.
- ◆ Entladen Sie den Akku vollständig, und entfernen Sie ihn dann aus dem Gerät.
- ◆ Akkus können recycelt werden. Verpacken Sie die Akkus in einem geeigneten Behälter, sodass die Akkukontakte nicht kurzgeschlossen werden können. Bringen Sie die Akkus zu einer autorisierten Vertragswerkstatt oder zu einer Rücknahmestelle in Ihrer Nähe.

## Technische Daten

GKC1000L H1	
Spannung	Vdc 18
Kettengeschwindigkeit (Leerlauf)	m/min 1,9
Maximaler Schnittdurchmesser	mm 100
Gewicht	kg 3,5

Akku A1518L	
Spannung	VDC 18
Ausgangsstrom	A 3,7
Kapazität	Ah 1,5
Akku	Typ Li-Ion
Gewicht	kg 0,45

Ladegerät 9053954*	
Eingangsspannung	VAC 230
Ausgangsspannung	VDC 21
Ausgangsstrom	mA 1,9
Ungefähre Ladezeiten	
1,5 Ah-Akku	Std. 1
Gewicht	kg 0,5

Garantierter Schalldruckpegel, gemessen nach 2000/14/EG:

$L_{pA}$  (Schalldruck) 85 dB(A), Unsicherheitsfaktor (K) 3 dB(A)  
 $L_{WA}$  (Schallleistung) 96 dB(A),  
 Unsicherheitsfaktor (K) 3 dB(A)  
 $L_{WA}$  (garantiert) 97 dB(A)

Gesamtvibration (Triax-Vektorsumme) gemäß EN 60745:  
 Schneiden von frisch gefälltem Weichholz ( $a_h$ ) = 3.8 m/s<sup>2</sup>,  
 Unsicherheitsfaktor (K) = 1,5 m/s<sup>2</sup>

**EU-Konformitätserklärung**  
 MASCHINENRICHTLINIE  
 AUSSENLAUTSTÄRKERICHTLINIE



**GKC100L**

Black & Decker erklärt, dass die unter „Technische Daten“ beschriebenen Produkte den folgenden Normen entsprechen:

2006/42/EG,  
 EN 60745-1,  
 2000/14/EG, Kettensäge, Anhang VI

Schallpegel gemäß 2000/14/EG

$L_{WA}$ (gemessene Schalleistung)	dB	85
$L_{WA}$ (garantierte Schalleistung)	dB	97

Weitere Informationen erhalten Sie von Black & Decker unter der folgenden Adresse bzw. mithilfe der Angaben auf der Rückseite dieser Anleitung.

Der Unterzeichnete ist verantwortlich für die Zusammenstellung der technischen Daten und gibt diese Erklärung im Namen von Black & Decker ab.

Kevin Hewitt  
 Vice-President Global Engineering  
 Black & Decker Europe,  
 210 Bath Road, Slough,  
 Berkshire, SL1 3YD  
 Großbritannien  
 22.02.2010

Für den Astschneider Alligator™ wurden in Europa, den Vereinigten Staaten und in anderen Ländern weltweit Patentschutz sowie Geschmacksmusterschutz beantragt. ALLIGATOR ist eine Marke der Black & Decker Corporation.

## Garantie

Black & Decker vertraut auf die Qualität der eigenen Geräte und bietet dem Käufer eine außergewöhnliche Garantie. Diese Garantiezusage versteht sich unbeschadet der gesetzlichen Gewährleistungsansprüche und schränkt diese keinesfalls ein. Sie gilt in sämtlichen Mitgliedstaaten der Europäischen Union und der Europäischen Freihandelszone EFTA.

Tritt innerhalb von 24 Monaten ab Kaufdatum an einem Gerät von Black & Decker ein auf Material- oder Verarbeitungsfehler zurückzuführender Mangel auf, garantiert Black & Decker den Austausch defekter Teile, die Reparatur von Geräten mit üblichem Verschleiß bzw. den Austausch eines mangelhaften Gerätes, ohne den Kunden dabei mehr als unbedingt nötig in Anspruch zu nehmen, allerdings vorbehaltlich folgender Ausnahmen:

- ◆ wenn das Gerät gewerblich, beruflich oder im Verleihgeschäft benutzt wurde;
- ◆ wenn das Gerät missbräuchlich verwendet oder mit mangelnder Sorgfalt behandelt wurde;
- ◆ wenn das Gerät durch irgendwelche Fremdeinwirkung beschädigt wurde;
- ◆ wenn ein unbefugter Reparaturversuch durch anderes Personal als das einer Vertragswerkstatt oder des Black & Decker Kundendienstes unternommen wurde.

Zur Inanspruchnahme dieser Garantie ist dem Verkäufer bzw. der Vertragswerkstatt ein Kaufnachweis vorzulegen. Die Adresse der zuständigen Niederlassung von Black & Decker steht in dieser Anleitung. Dort teilt man Ihnen gerne die nächstgelegene Vertragswerkstatt mit. Außerdem ist eine Liste der Vertragswerkstätten und aller Kundendienststellen von Black & Decker sowie der zuständigen Ansprechpartner im Internet zu finden unter: **[www.2helpU.com](http://www.2helpU.com)**.

Bitte besuchen Sie unsere Webseite **[www.blackanddecker.de](http://www.blackanddecker.de)**, um Ihr neues Black & Decker Produkt zu registrieren und über neue Produkte und Sonderangebote informiert zu werden. Weitere Informationen über die Marke Black & Decker und unsere Produkte finden Sie unter **[www.blackanddecker.de](http://www.blackanddecker.de)**.

## Utilisation

L'outil Alligator™ Lopper de Black & Decker est conçu pour la taille d'arbres, la découpe de branches gisantes et le débitage de petites bûches de 25 mm à 100 mm de diamètre avec un opérateur debout au sol. Cet outil a été conçu pour une utilisation exclusivement domestique.

## Consignes de sécurité

### Consignes de sécurité concernant les outils électroportatifs



**Attention ! Lisez avec attention tous les avertissements et toutes les instructions.**

Le non-respect de cette consigne peut entraîner une électrocution, un incendie et/ou de graves blessures.

### Conservez tous les avertissements et instructions pour référence ultérieure.

La notion d'« outil électroportatif » mentionnée par la suite se rapporte à des outils électriques raccordés au secteur (avec câble de raccordement) ou fonctionnant avec batterie (sans fil).

1. **Sécurité de la zone de travail**
  - a. **Maintenez la zone de travail propre et bien éclairée.**  
Un lieu de travail en désordre ou mal éclairé augmente le risque d'accidents.
  - b. **N'utilisez pas les outils électroportatifs dans un environnement présentant des risques d'explosion ni en présence de liquides, gaz ou poussières inflammables.** Les outils électroportatifs génèrent des étincelles risquant d'enflammer les poussières ou les vapeurs.
  - c. **Pendant l'utilisation d'un outil électroportatif, les enfants et autres personnes doivent rester éloignés.** En cas d'inattention, vous risquez de perdre le contrôle de l'outil.
2. **Sécurité électrique**
  - a. **La prise de l'outil électroportatif doit convenir à la prise de courant. Ne modifiez en aucun cas la prise. N'utilisez pas de prises d'adaptateur avec des appareils ayant une prise de terre.** Le respect de ces consignes réduit le risque de choc électrique.
  - b. **Évitez le contact physique avec des surfaces mises à la terre telles que tuyaux, radiateurs, fours et réfrigérateurs.** Le risque de choc électrique augmente si votre corps est relié à la terre.
  - c. **N'exposez pas l'outil électroportatif à la pluie ni à l'humidité.** La pénétration d'eau dans un outil électroportatif augmente le risque de choc électrique.
  - d. **Préservez le câble d'alimentation. N'utilisez pas le câble pour porter l'outil, pour l'accrocher ou encore pour le débrancher. Maintenez le câble éloigné des sources de chaleurs, des parties huilées, des bords tranchants ou des parties de l'appareil en rotation.** Le risque de choc électrique augmente si les câbles sont endommagés ou emmêlés.
  - e. **Si vous utilisez l'outil électroportatif à l'extérieur, utilisez une rallonge homologuée pour utilisation à l'air libre.** L'utilisation d'une rallonge électrique homologuée pour les travaux à l'extérieur réduit le risque de choc électrique.
  - f. **Si l'outil doit être utilisé dans un endroit humide, prenez les précautions nécessaires en utilisant un dispositif à courant résiduel (RCD).** L'utilisation d'un tel dispositif réduit les risques d'électrocution.
3. **Sécurité personnelle**
  - a. **Restez vigilant, surveillez ce que vous faites. Faites preuve de bon sens quand vous utilisez un outil électroportatif. N'utilisez pas l'outil lorsque vous êtes fatigué ou après avoir consommé de l'alcool ainsi que des médicaments.** Un moment d'inattention lors de l'utilisation de l'outil peut entraîner de graves blessures.
  - b. **Portez un équipement de protection. Portez toujours des lunettes de protection.** Selon le travail à effectuer, le port d'équipement de protection tels que masque anti-poussières, chaussures de sécurité antidérapantes, casque ou protection auditive, réduit le risque de blessures.
  - c. **Évitez un démarrage imprévu. L'appareil doit être en position OFF (arrêt) avant d'effectuer le branchement à l'alimentation et/ou au bloc-batterie, de le ramasser ou de le porter.** Ne laissez pas votre doigt sur le bouton de commande, ceci peut être à l'origine d'accidents.
  - d. **Retirez tout outil ou clé de réglage avant de mettre l'outil en marche.** Une clé ou un outil se trouvant sur une partie en rotation peut causer des blessures.
  - e. **Adoptez une position confortable. Adoptez une position stable et gardez votre équilibre en permanence.** Vous contrôlerez ainsi mieux l'outil dans des situations inattendues.

- f. **Portez des vêtements appropriés. Ne pas porter de vêtements flottants ou de bijoux. N'approchez pas les cheveux, vêtements ou gants des parties des pièces mobiles.** Les vêtements amples, les bijoux ou les cheveux longs peuvent être attrapés dans les pièces en mouvement.
- g. **En cas d'utilisation d'appareils servant à aspirer ou à recueillir les poussières, assurez-vous qu'ils sont correctement raccordés et utilisés.** L'utilisation de tels appareils permet de réduire les dangers liés aux poussières.
4. **Utilisation des outils électroportatifs et précautions**
- a. **Respectez la capacité de l'outil. Utilisez l'outil électroportatif approprié pour le travail à effectuer.** Avec un outil approprié, vous travaillerez mieux et en toute sécurité.
- b. **N'utilisez pas un outil électroportatif dont l'interrupteur marche/arrêt est défectueux.** Un outil électroportatif qui ne peut plus être mis en marche ou arrêté est dangereux et doit être réparé.
- c. **Retirez la prise de courant et/ou débranchez le bloc-batterie avant d'effectuer des réglages, de changer les accessoires ou de ranger l'outil.** Cette mesure de précaution empêche de mettre l'outil en marche accidentellement.
- d. **Rangez les outils électroportatifs hors de portée des enfants. Les personnes ne connaissant pas l'outil ou n'ayant pas lu ces instructions ne doivent en aucun cas l'utiliser.** Les outils électroportatifs sont dangereux lorsqu'ils sont utilisés par des personnes non initiées.
- e. **Prenez soin des outils électroportatifs. Vérifiez que les parties en mouvement fonctionnent correctement et qu'elles ne sont pas coincées. Vérifiez qu'il n'y a pas de pièces cassées ou endommagées susceptibles de nuire au bon fonctionnement de l'outil. S'il est endommagé, faites réparer l'outil avant de l'utiliser.** De nombreux accidents sont la conséquence d'outils mal entretenus.
- f. **Maintenez les outils de coupe aiguisés et propres.** Des outils soigneusement entretenus avec des bords tranchants bien aiguisés se coincent moins souvent et peuvent être guidés plus facilement.
- g. **Utilisez les outils électroportatifs, les accessoires, etc. en suivant ces instructions et en tenant compte des conditions de travail, ainsi que du travail à effectuer.** L'utilisation des outils électroportatifs à d'autres fins que celles prévues peut vous mettre en situation dangereuse.

5. **Utilisation de la batterie et précautions**
- a. **Ne rechargez qu'avec le chargeur proposé par le fabricant.** Un chargeur destiné à un type de bloc-batteries risque de provoquer des incendies s'il est utilisé avec un bloc-batteries différent.
- b. **N'utilisez les appareils électroportatifs qu'avec le bloc-batteries approprié.** L'utilisation d'un autre bloc-batteries peut provoquer des blessures ou être à l'origine d'un feu.
- c. **Quand le bloc-batteries n'est pas utilisé, éloignez-le d'objets en métal comme des agrafes, des pièces, des clés, des clous, des vis ou autres petits objets qui pourraient établir une connexion d'une borne à l'autre.** Un tel court-circuit peut être à l'origine d'un feu ou de brûlures.
- d. **En cas d'utilisation excessive, le liquide peut sortir de la batterie; évitez tout contact. Si vous n'avez pu éviter le contact, rincez à l'eau. En cas de contact avec les yeux, consultez un médecin.** Le liquide sortant des batteries peut causer des irritations ou des brûlures.
6. **Réparations**

**Faites réparer votre outil électroportatif uniquement par du personnel qualifié et seulement avec des pièces de rechange d'origine.** La fiabilité de l'outil sera ainsi garantie.

**Consignes de sécurité supplémentaires concernant les outils électroportatifs**



**Attention !** Avertissements de sécurité supplémentaires pour l'Alligator™ Lopper

**Attention !** N'utilisez jamais l'outil au-dessus du niveau des épaules. Veillez à ne pas vous placer sur la trajectoire de chute des branches et débris.

**Attention !** N'utilisez pas cet outil pour abattre des arbres.

- ◆ N'approchez jamais aucune partie de votre corps ni vos vêtements de la chaîne coupante. Tenez l'outil devant vous et faites attention à la position de la chaîne coupante, tout particulièrement lorsque vous coupez des branches près du sol. Avant de démarrer, assurez-vous que la chaîne coupante n'est pas au contact de quoi que ce soit.
- ◆ Prévoyez une issue en cas de chute de branches et de débris. Assurez-vous que cette issue ne contient pas d'obstacles risquant d'empêcher ou de gêner vos déplacements. N'oubliez pas que l'herbe mouillée et l'écorce fraîchement coupée sont glissantes.

- ◆ Anticipez la direction dans laquelle une branche risque de tomber. Tenez compte de toutes les conditions pouvant affecter la direction de la chute, notamment :
    - La direction de chute souhaitée.
    - L'inclinaison naturelle de la branche.
    - Toute carie ou défaut important de la structure d'une branche maîtresse.
    - Les arbres environnants et les obstacles, en particulier les lignes aériennes.
    - La vitesse et la direction du vent.
  - ◆ La distance de sécurité entre une branche à couper ou à débiter et les personnes, bâtiments ou autres objets se trouvant à proximité doit être au moins égale à 2 1/2 fois la longueur de la branche. Les personnes, bâtiments ou objets se trouvant en deçà de cette distance risquent d'être heurtés par la branche tombante.
  - ◆ Lorsque vous coupez une branche maîtresse sous tension, prenez garde au retour élastique. Lorsque la tension dans les fibres de bois se relâche, la branche peut frapper l'opérateur et/ou lui faire perdre le contrôle de l'outil.
  - ◆ Portez toujours un équipement de sécurité approprié tel que des chaussures antidérapantes, un casque, des lunettes de sécurité, une protection auditive et des gants lorsque vous utilisez l'outil.
  - ◆ Assurez-vous qu'une personne se tenant à proximité (tout en respectant les distances de sécurité) peut vous porter secours rapidement en cas d'accident.
  - ◆ Ne vous placez pas dans un arbre, sur une échelle ou sur tout autre support instable pour utiliser l'outil.
  - ◆ Adoptez une position stable et gardez votre équilibre à tout moment.
  - ◆ Tenez fermement l'outil avec les deux mains lorsque le moteur est en marche.
  - ◆ Veillez à ce que les poignées soient sèches et propres, sans trace d'huile ou de graisse. Les poignées grasses sont glissantes et peuvent causer une perte de contrôle.
  - ◆ Lorsque la chaîne est en mouvement, ne la laissez pas toucher d'objet à l'extrémité du guide-chaîne.
  - ◆ Assurez-vous que la chaîne coupante est bien tendue. Vérifiez régulièrement la tension, moteur arrêté et câble d'alimentation débranché.
  - ◆ Ne commencez et continuez la coupe qu'avec une chaîne à pleine vitesse.
  - ◆ Faites attention aux branches en mouvement ou aux autres forces qui pourraient refermer une entaille et pincer ou entraver la chaîne.
  - ◆ Soyez extrêmement prudent lorsque vous réinsérez la chaîne dans une entaille déjà entamée. Introduisez les dents de la mâchoire inférieure dans le bois et laissez la chaîne atteindre sa pleine vitesse avant de commencer à couper.
  - ◆ Une utilisation non conforme de cet outil peut créer des situations dangereuses. Ne coupez que du bois. N'utilisez pas cet outil pour d'autres opérations que celles prescrites ; par exemple, ne l'utilisez pas pour couper du plastique ou des matériaux de construction autres que le bois.
  - ◆ Si des débris se bloquent dans l'habillage ou l'outil, arrêtez l'outil, retirez la batterie et nettoyez les débris.
  - ◆ Remplacez toute chaîne ou guide-chaîne usé.
  - ◆ N'utilisez que des pièces de remplacement prescrites par le fabricant.
- Sécurité pour autrui**
- ◆ Cet appareil ne doit pas être utilisé par des personnes (y compris les enfants) ayant des déficiences physiques, mentales ou sensorielles. Cette consigne s'applique aussi aux personnes manquant d'expérience et de connaissance du matériel, à moins que celles-ci n'aient reçu les instructions appropriées ou qu'elles ne soient encadrées par une personne responsable de leur sécurité pour utiliser l'appareil.
  - ◆ Ne laissez jamais les enfants sans surveillance afin d'éviter qu'ils ne jouent avec cet appareil.
- Vibration**
- La valeur d'émission de vibration déclarée dans la section Déclaration/Données techniques de conformité a été mesurée selon une méthode d'essai standard fournie par la norme EN60745 et peut être utilisée pour comparer un outil à un autre. Elle peut aussi être utilisée pour une évaluation préliminaire à l'exposition.
- Attention !** Selon la manière dont l'outil est utilisé, la valeur d'émission de vibration pendant l'utilisation en cours de l'outil peut être différente de la valeur déclarée. Le niveau de vibration peut augmenter au-dessus du niveau établi.
- Quand l'exposition aux vibrations est évaluée afin de déterminer les mesures de sécurité requises par la norme 2002/44/CE pour protéger les personnes utilisant régulièrement des outils électroportatifs, une estimation de l'exposition aux vibrations doit tenir compte des conditions actuelles d'utilisation et de la manière dont l'outil est utilisé. Il faut aussi tenir compte de toutes les pièces du cycle de fonctionnement comme la durée pendant laquelle l'outil est arrêté et quand il fonctionne au ralenti, ainsi que la durée du déclenchement.

## Étiquettes sur les outils

Les symboles suivants se trouvent sur votre outil :



**Attention !** Pour réduire le risque de blessures, l'utilisateur doit lire les instructions du manuel.



N'exposez pas votre tronçonneuse à la pluie ni à l'humidité.



Portez toujours casque, lunettes et protection auditive.



Attention à la chute d'objets.



Ne laissez personne s'approcher.



N'utilisez pas l'outil sur une échelle.



Vérifiez la tension de la chaîne toutes les 10 minutes. Réglez-la avec un jeu de 3 mm.



Graissez la chaîne toutes les 10 minutes.



Ne touchez pas la chaîne au point d'éjection des copeaux.



Sens de rotation de la chaîne.

## Risque résiduel

Malgré l'application des normes de sécurité correspondantes et la mise en œuvre de mesures de sécurité, certains risques résiduels sont inhérents à l'utilisation d'une tronçonneuse et ne peuvent pas être évités. Il s'agit :

- ◆ Des risques de blessure suite à un contact avec des pièces en mouvement, tranchantes ou brûlantes, à la chute de branches ou de débris sur l'opérateur, d'autres personnes ou matériels, ou à la projection de débris par l'outil.
- ◆ Des risques de blessure suite à une utilisation non conforme, à la chute d'une échelle ou d'un poste de travail dans l'arbre, à un câble endommagé, à une utilisation dans un lieu humide ou dangereux, à une utilisation par des enfants ou des personnes déficientes, à l'absence de protection ou au port de vêtements inappropriés, ou à l'inhalation des particules générées par la coupe du bois.

Les risques susmentionnés font l'objet d'une prévention par le biais d'avertissements dans les instructions de sécurité et/ou d'un marquage sur l'outil.

## Consignes de sécurité supplémentaires concernant les batteries et les chargeurs

### Batteries

- ◆ En aucun cas, n'essayez d'ouvrir l'appareil.
- ◆ Ne mettez pas la batterie en contact avec l'eau.
- ◆ N'approchez pas la batterie d'une source de chaleur.
- ◆ Ne rangez pas l'appareil dans des endroits où la température peut dépasser 40°C.
- ◆ Ne chargez qu'à température ambiante comprise entre 10°C et 40°C.
- ◆ N'utilisez que le chargeur fournis avec l'appareil/outil. L'utilisation d'un chargeur inapproprié peut entraîner un choc électrique ou une surchauffe de la batterie.
- ◆ Pour jeter les batteries, suivez les instructions données dans la section « Protection de l'environnement ».
- ◆ Ne déformez/n'endommagez pas le bloc batterie en le perçant ou en le cognant, ceci pourrait entraîner des blessures et un incendie.
- ◆ Ne chargez pas les batteries endommagées.
- ◆ Dans des conditions extrêmes, une batterie peut couler. Si vous décelez des traces de liquide sur les batteries, essuyez-les avec un chiffon. Évitez tout contact avec la peau.
- ◆ En cas de contact avec la peau ou les yeux, suivez les instructions ci-dessous.

**Attention !** Le liquide de batterie peut provoquer des blessures ou des dommages. En cas de contact avec la peau, rincez immédiatement à l'eau. Si des rougeurs, une douleur ou une irritation se produisent, consultez un médecin. En cas de contact avec les yeux, rincez à l'eau et consultez immédiatement un médecin.

### Chargeurs

Votre chargeur doit être utilisé avec une tension spécifique. Vérifiez toujours si la tension indiquée sur la plaque signalétique de l'appareil correspond à la tension de secteur.

**Attention !** N'essayez jamais de remplacer le chargeur par une prise secteur.

- ◆ N'utilisez votre chargeur Black & Decker que pour charger la batterie fournie avec l'appareil/outil. D'autres batteries pourraient exploser, provoquant des blessures et des dommages.
- ◆ Ne tentez jamais de recharger des batteries non rechargeables.
- ◆ Si le câble d'alimentation est endommagé, il doit être remplacé par le fabricant ou par un centre de réparation agréé Black & Decker pour éviter tout risque.
- ◆ Ne mettez pas le chargeur en contact avec l'eau.
- ◆ N'ouvrez pas le chargeur.
- ◆ Ne testez pas le chargeur.

- ◆ Pour la charge, placez l'appareil/outil/batterie dans un endroit correctement aéré.

## Symboles sur le chargeur

Les symboles suivants se trouvent sur votre chargeur :



Votre support de charge est doublement isolé; par conséquent, aucun câble de masse n'est nécessaire. Vérifiez si le voltage mentionné sur la plaque signalétique de la machine correspond bien à la tension de réseau présente sur le lieu.



Le support de charge ne peut être utilisé qu'à l'intérieur.



**Attention !** Pour réduire le risque de blessures, l'utilisateur doit lire les instructions du manuel.

## Options

1. Mâchoire supérieure
2. Mâchoire inférieure
3. Guide-chaîne
4. Couvercle de graissage
5. Dispositif de blocage
6. Batterie
7. Boutons de commande
8. Point d'éjection des copeaux
9. Chargeur

## Assemblage

**Attention !** Avant l'assemblage, retirez la batterie (6) de l'outil.

### Installation et retrait de la batterie (figure A)

- ◆ Pour installer la batterie (6), alignez-la avec le boîtier sur l'outil. Glissez la batterie (6) dans le boîtier et poussez-la jusqu'à ce qu'elle s'enclenche.
- ◆ Pour retirer la batterie (6), poussez le bouton de dégagement (18) tout en tirant sur la batterie (6) pour la sortir.

### Installation du cache-batterie (figure K)

**Attention !** Installez le cache (17) sur la batterie (6) pour le transport et le rangement.

### Ouverture des poignées (figure B)

- ◆ Pour ouvrir les poignées, glissez le dispositif de blocage (5) vers l'arrière et écartez les poignées.
- ◆ Une fois le travail terminé, fermez les poignées et glissez le dispositif de blocage (5) vers l'avant pour verrouiller l'outil. Les poignées doivent être bloquées pour le transport et le rangement.

### Réglage de la tension de la chaîne (figure C)

**Attention !** Avant de régler la tension de la chaîne ou d'effectuer d'autres réglages, assurez-vous que l'outil est hors tension et que la batterie est retirée.

**Attention !** Le guide-chaîne et la chaîne coupante peuvent être chauds après l'utilisation. Laissez-les refroidir avant d'effectuer des réglages.

L'outil est livré prêt à l'utilisation. Toutefois, nous vous recommandons de contrôler la tension de la chaîne coupante (14) et les boulons de fixation du couvercle d'accès à la chaîne avant d'effectuer les réglages et de l'utiliser.

### Vérification et réglage de la tension de la chaîne coupante (figure C)

Pour tendre la chaîne coupante (14), desserrez les deux boulons du couvercle (12) à l'aide de la clé (13). Le tendeur de chaîne pousse alors le guide-chaîne (3) pour obtenir la tension adéquate. Resserrez fermement les deux boulons de fixation (12).

Vérifiez si la tension est correcte en tirant légèrement sur la chaîne coupante (14). La tension est correcte si la chaîne se remet automatiquement en place lorsque vous l'éloignez de 3 mm du guide-chaîne. Il ne doit pas y avoir de jeu en dessous entre le guide (3) et la chaîne (14).

**Remarque :** Veillez à ne pas trop tendre la chaîne coupante. Cela aurait pour effet une usure excessive et une réduction de la durée de vie du guide-chaîne et de la chaîne. Une autre conséquence négative serait la baisse de rendement.

**Remarque :** Lors de la première utilisation et lorsque la chaîne coupante est neuve, contrôlez fréquemment la tension. Une chaîne neuve a tendance à se détendre légèrement.

### Remplacement de la chaîne coupante et du guide-chaîne

Après une utilisation prolongée, le remplacement de la chaîne coupante (14) et/ou du guide-chaîne (3) peut s'avérer nécessaire. N'utilisez que les pièces de rechange recommandées par Black & Decker.

### Retrait de la chaîne coupante et du guide-chaîne (figure C et D)



Portez toujours des gants de protection pour installer ou retirer la chaîne coupante (14). Celle-ci est très affûtée et peut vous couper, même à l'arrêt.

**Attention !** Le guide-chaîne et la chaîne coupante peuvent être chauds après l'utilisation. Laissez-les refroidir avant de procéder au remplacement.



- ◆ Placez l'outil sur une surface stable.
- ◆ Dévissez les deux boulons de fixation (12) avec la clé (13) fournie, puis retirez-les totalement.
- ◆ Retirez le couvercle d'accès à la chaîne (11).
- ◆ Glissez le dispositif de blocage (5) en position de déverrouillage, ouvrez les poignées et tirez la mâchoire supérieure (1) vers l'arrière.
- ◆ Tirez le guide-chaîne (3) vers l'arrière, puis sortez la chaîne coupante (14) de la rainure du guide-chaîne. La chaîne peut alors être retirée de l'outil.
- ◆ Le guide-chaîne (3) peut alors être relevé, puis retiré.

### Assemblage du guide-chaîne et de la chaîne coupante (figure E et F)

**Attention !** Portez toujours des gants de protection lors de l'installation ou du retrait de la chaîne coupante.

Celle-ci est très affûtée et peut vous couper, même à l'arrêt.

- ◆ Procédez sur une surface stable.
- ◆ Glissez le dispositif de blocage (5) en position de déverrouillage, ouvrez les poignées et tirez la mâchoire supérieure (1) vers l'arrière.
- ◆ Insérez le guide-chaîne (3) dans l'espace entre le tendeur de chaîne. Alignez-le avec le positionneur de guide-chaîne puis abaissez-le. Vérifiez si l'installation est correcte.
- ◆ Placez la chaîne coupante (14) autour à l'avant du guide-chaîne (3).
- ◆ Tirez le guide-chaîne (3) et la chaîne coupante (14) vers l'arrière en maintenant cette dernière dans la rainure du guide-chaîne (3). Faites passer la chaîne au-dessus du pignon (16) en présentant les dents dans la bonne direction.
- ◆ Remplacez le couvercle d'accès à la chaîne (11) et serrez fermement les boulons de fixation (12).
- ◆ Vérifiez avec les repères sur l'outil, si la chaîne coupante (14) est correctement installée.

### Graissage (figure G)

- ◆ Avant la première utilisation, puis toutes les dix minutes d'utilisation, lubrifiez la chaîne à l'aide de la graisse appropriée. (Cat. n° A6027) Ouvrez le couvercle de graissage (4) et insérez la burette dans l'orifice de remplissage (15). Pressez la burette pour injecter une dose d'huile.
- ◆ Cette dose doit suffire pour environ 10 minutes de coupe, en fonction de la vitesse de coupe et du type de bois.

L'huile est ainsi acheminée de la chaîne sur le guide-chaîne (3). Le trop plein peut s'écouler autour des mâchoires. Cela est tout à fait normal et ne présente aucun risque.

## Utilisation

### Charge de la batterie (figure H)

**Attention !** Laissez l'outil fonctionner à sa propre vitesse. Évitez une surcharge.

### Charge

**Attention !** Ne chargez pas la batterie si la température ambiante est inférieure à 10°C ou supérieure à 40°C. La température de charge recommandée est d'environ 24°C.

**Remarque :** Le chargeur ne chargera pas le bloc-batteries si la température de l'élément est inférieure à environ 0°C ou supérieure à 60°C.

- ◆ Le bloc-batteries doit rester dans le chargeur. Le chargeur commence automatiquement la charge quand la température de l'élément se réchauffe ou se refroidit.
- ◆ Branchez le chargeur (9) au secteur.
- ◆ Insérez le bloc-batteries (6) dans le chargeur. Assurez-vous que le bloc-batteries est correctement enclenché dans le chargeur (9).
- ◆ Le témoin de charge clignote continuellement.
- ◆ Le processus est terminé quand le témoin reste allumé en continu.
- ◆ Le chargeur et le bloc-batteries peuvent restés connectés en permanence avec le témoin allumé. Le témoin clignote (charge) si le chargeur détecte qu'il faut compléter la charge du bloc-batteries.
- ◆ Le témoin de charge clignote aussi longtemps que le bloc-batteries est branché au chargeur connecté.

Rechargez le bloc-batteries toutes les semaines. Il est préférable de ne pas ranger le bloc-batteries s'il est déchargé. La durée de vie de la batterie en serait limitée.

### Témoins de charge

Si le chargeur détecte un problème avec le bloc-batteries, le témoin de charge clignote rapidement.

- ◆ Si cela se produit, réinsérez le bloc-batteries (6).
- ◆ Si le problème persiste, insérez un bloc-batteries différents dans le chargeur pour déterminer si le chargeur fonctionne correctement.
- ◆ Si le nouveau bloc-batteries se charge correctement, le bloc-batteries d'origine est défectueux et doit être renvoyé au centre de réparation pour être recyclé.
- ◆ Si le nouveau bloc-batteries indique le même problème, demandez à un centre de réparation autorisée de tester le chargeur.

**Remarque :** la détection de la défaillance du bloc-batteries peut prendre jusqu'à 15 minutes.

Si le bloc-batteries est trop chaud ou trop froid, le témoin alterne un clignotement lent, puis un clignotement rapide et ainsi de suite.

## Préparation

- ◆ Nettoyez régulièrement l'outil conformément aux instructions d'entretien. Nettoyez surtout l'intérieur du couvercle d'accès à la chaîne (11).
- ◆ La mâchoire inférieure (2) et la mâchoire supérieure (1) sont conçues pour se fermer lorsque l'une des poignées est relâchée ou lorsque la branche à sectionner est coupée. Si elles ne se referment pas, cessez d'utiliser l'outil et retirez la batterie de l'outil.
- ◆ Vérifiez l'éventuelle présence de débris pouvant entraver leurs mouvements. Pour faciliter cette opération, il est possible de retirer le couvercle d'accès à la chaîne (11). Si le problème persiste après le réassemblage, renvoyez l'outil à un centre de réparation agréé.

## Démarrer et arrêter

**Attention !** N'essayez jamais de bloquer ou de fixer l'interrupteur en position marche.

Pour votre sécurité, cet outil est équipé d'interrupteurs doubles permettant de prévenir tout démarrage accidentel.

## Démarrage (figure I)

Tenez fermement les poignées, puis appuyez sur les deux boutons de commande (5) pour démarrer l'outil.

## Arrêt (figure I)

Relâchez un des boutons de commande.

**Remarque :** l'outil ne fonctionne qu'en appuyant sur les deux boutons de commande.

Ne forcez pas en utilisant l'outil. Laissez-le fonctionner normalement. Il sera plus efficace et garantira une meilleure sécurité en fonctionnant à la vitesse pour laquelle il est conçu. Vous risquez de détendre la chaîne coupante en forçant sur l'appareil.

En cas de blocage de la chaîne coupante (14) ou du guide-chaîne (3) :

- ◆ Arrêtez l'outil.
- ◆ Débranchez la batterie de l'outil.

Écartez l'entaille à l'aide de coins pour libérer le guide-chaîne. N'essayez pas de dégager l'outil par la force. Recommencez la coupe à un nouvel emplacement.

## Taille des branches (figure J)

Assurez-vous que la législation ou les réglementations locales n'interdisent ou ne limitent pas l'élagage.

- ◆ Assurez-vous que l'outil fonctionne à pleine vitesse avant de commencer une coupe.
- ◆ Maintenez fermement l'outil afin d'éviter tout effet de retour ou mouvement latéral.
- ◆ Guidez l'outil par pressions légères.

- ◆ Coupez toujours de haut en bas. Cela permet d'éviter de coincer la chaîne coupante (14).
- ◆ Débitez les branches comme dans la figure J, par petites sections depuis l'extrémité de la branche.
- ◆ Retirez l'outil de l'entaille pendant qu'il fonctionne à pleine vitesse.

## Entretien

Votre appareil/outil sans fil/avec fil Black & Decker a été conçu pour fonctionner pendant longtemps avec un minimum d'entretien. Un fonctionnement continu satisfaisant dépend d'un nettoyage régulier et d'un entretien approprié.

**Attention !** À ne pas oublier avant l'entretien des appareils électriques sans fil/avec fil :

- ◆ Arrêtez l'appareil/outil, puis débranchez-le
- ◆ Ou, débranchez la batterie et retirez-la de l'appareil/outil si celui-ci est muni d'un bloc-batteries séparé
- ◆ Ou bien déchargez complètement la batterie si elle est intégrée au système, puis mettez-la hors tension
- ◆ Débranchez le chargeur avant de le nettoyer. Aucun entretien particulier n'est nécessaire pour le chargeur en dehors du nettoyage régulier.

Nettoyez régulièrement les orifices de ventilation de votre appareil/outil/chargeur à l'aide d'une brosse souple ou d'un chiffon sec.

Nettoyez régulièrement le compartiment du moteur à l'aide d'un chiffon humide. N'utilisez pas de produit abrasif ou à base de solvant.

Ouvrez régulièrement le mandrin et retirez la poussière à l'intérieur en le tapant (si installé).

## Nettoyage

- ◆ Retirez régulièrement le couvercle d'accès à la chaîne (11) et éliminez les débris.
- ◆ Nettoyez régulièrement les orifices de ventilation à l'aide d'une brosse sèche et propre.
- ◆ Pour nettoyer l'outil, utilisez exclusivement du savon doux et un chiffon humide. Évitez toute pénétration de liquide dans l'outil et ne plongez aucune pièce dans du liquide.

## Graissage

- ◆ Graissez régulièrement les points de graissage (15), comme indiqué sur la figure D.

## Transport

- ◆ Transportez toujours l'outil avec les mâchoires fermées et le dispositif de blocage (5) en position de verrouillage.

## Affûtage de la chaîne

Pour un rendement maximum, il est important que les dents de la scie soient toujours bien affûtées. Vous trouverez les instructions pour l'affûtage sur le kit d'affûtage. Nous vous recommandons d'acheter le kit d'affûtage de chaîne coupante Black & Decker A6039 (disponible auprès des revendeurs et des réparateurs Black & Decker).

## Remplacement des chaînes usées

Vous pourrez vous procurer des chaînes coupantes de rechange auprès des détaillants ou des réparateurs agréés Black & Decker. N'utilisez que des pièces d'origine.

## Affûtage de la chaîne

Les dents de la chaîne s'émousent immédiatement si elles touchent le sol ou un clou pendant la coupe.

## Tension de la chaîne

Vérifiez régulièrement la tension de la chaîne.

## Que faire si votre tronçonneuse doit être réparée ?

Cet outil est conforme aux normes de sécurité en vigueur. Les réparations doivent être effectuées exclusivement par des personnes qualifiées utilisant des pièces de rechange d'origine. Le non respect de cette consigne, peut mettre l'utilisateur en danger. Nous vous conseillons de conserver ce manuel d'utilisateur dans un endroit sûr.

## Rangement

Lorsque l'outil n'est pas utilisé pendant plusieurs mois, appliquez une fine couche d'huile sur les éléments métalliques. Le mieux est de laisser la batterie (6) connectée au chargeur.

Procédez comme suit :

- ◆ Chargez complètement la batterie (6).
- ◆ Retirez la batterie (6) de l'outil.
- ◆ Rangez l'outil et la batterie (6) en lieu sûr et à l'abri de l'humidité. La température doit toujours se situer entre +5°C et +40°C. Placez la batterie (6) à plat.
- ◆ Après une période d'inactivité, rechargez complètement la batterie (6) avant d'utiliser l'outil.

## Protection de l'environnement



Recyclage. Cet appareil ne doit pas être jeté avec les déchets ménagers.

Si votre appareil Black & Decker doit être remplacé ou si vous n'en avez plus l'usage, ne le jetez pas avec les ordures ménagères. Songez à la protection de l'environnement et recyclez-les.



La collecte séparée des produits et des emballages usagés permet de recycler et de réutiliser des matériaux. La réutilisation de matériaux recyclés évite la pollution de l'environnement et réduit la demande de matières premières.

Des réglementations locales peuvent stipuler la collecte séparée des produits électriques et des produits ménagers, dans des déchetteries municipales ou par le revendeur lorsque vous achetez un nouveau produit.

Black & Decker offre une solution permettant de recycler les produits Black & Decker lorsqu'ils ont atteint la fin de leur cycle de vie. Pour pouvoir profiter de ce service, veuillez retourner votre produit à un réparateur agréé qui se chargera de le collecter pour nous.

Pour connaître l'adresse du réparateur agréé le plus proche de chez vous, contactez le bureau Black & Decker à l'adresse indiquée dans ce manuel. Vous pourrez aussi trouver une liste de réparateurs agréés de Black & Decker et de plus amples détails concernant notre service après-vente sur le site Internet : [www.2helpU.com](http://www.2helpU.com).

## Batteries



Quand les batteries sont hors d'usage, jetez-les en respectant les normes de protection de l'environnement.

- ◆ Ne court-circuitez pas les bornes de la batterie.
- ◆ Ne jetez pas la ou les batteries dans le feu, elles pourraient exploser ou être à l'origine d'un risque de blessure.
- ◆ Déchargez complètement la batterie, puis retirez-la de l'appareil.
- ◆ Les batteries sont recyclables. Placez la ou les batteries dans un emballage approprié pour éviter un court-circuit des bornes. Déposez-les chez un technicien d'entretien agréé ou dans un centre de recyclage local.

## Caractéristiques techniques

GKC1000L H1	
Tension	V c.c. 18
Vitesse de la chaîne (sans charge)	m/min 1,9
Diamètre maximal de coupe	mm 100
Poids	kg 3,5

Batterie A1518L	
Tension	Vcc 18
Courant de sortie	A 3,7
Capacité	Ah 1,5
Batterie	Type Li-Ion
Poids	kg 0,45

Chargeur 9053954*	
Tension d'entrée	V c.a. 230
Tension de sortie	V c.c. 21
Courant de sortie	A 1,9
Durée approximative de charge	
Batterie 1,5 Ah	heures 1
Poids	kg 0,5

Niveau de pression sonore garanti, en fonction de la norme 2000/14/CE :

$L_{pA}$  (pression sonore) 85 dB(A), incertitude (K) 3 dB(A)

$L_{WA}$  (puissance sonore) 96 dB(A), incertitude (K) 3 dB(A)

$L_{WA}$  (garantie) 97 dB(A)

Valeurs totales des vibrations (somme vectorielle triaxiale) selon la norme EN 60745 :

Coupe, conifère fraîchement abattu ( $a_h$ ) = 3,8 m/s<sup>2</sup>,  
incertitude (K) = 1,5 m/s<sup>2</sup>

## Déclaration de conformité CE

CONSIGNES DE MACHINERIE  
CONSIGNES NUISANCES SONORES EXTÉRIEURES



**GKC1000L**

Black & Decker déclare que les produits décrits sur la fiche technique sont conformes à la norme :

2006/42/CE

EN 60745-1

2000/14/CE, Tronçonneuse, Annexe VI

Niveau de puissance sonore selon la norme 2000/14/CE

$L_{WA}$  (puissance sonore mesurée) dB 85

$L_{WA}$  (puissance sonore garantie) dB 97

Pour plus de renseignements, veuillez contacter Black & Decker à l'adresse suivante ou reportez-vous au dos du manuel.

Le soussigné est responsable des données de la fiche technique et fait cette déclaration au nom de Black & Decker.

Kevin Hewitt  
Vice-President Global Engineering  
Black & Decker Europe,  
210 Bath Road, Slough,  
Berkshire, SL1 3YD  
Royaume-Uni  
22-02-2010

Alligator™-kapsaven er omfattet af patent- og designanmeldelser i Europa, USA og andre lande verden over. ALLIGATOR er et varemærke tilhørende Black & Decker Corporation.

## Garantie

Black & Decker vous assure la qualité de ses produits et vous offre une garantie très étendue. Ce certificat de garantie est un document supplémentaire et ne peut en aucun cas se substituer à vos droits légaux. La garantie est valable sur tout le territoire des États Membres de l'Union Européenne et de la Zone de Libre Échange Européenne.

Si un produit Black & Decker s'avère défectueux en raison de matériaux en mauvaises conditions, d'une erreur humaine, ou d'un manque de conformité dans les 24 mois suivant la date d'achat, Black & Decker garantit le remplacement des pièces défectueuses, la réparation des produits usés ou cassés ou remplace ces produits à la convenance du client, sauf dans les circonstances suivantes :

- ◆ Le produit a été utilisé dans un but commercial, professionnel, ou a été loué.
- ◆ Le produit a été mal utilisé ou avec négligence.
- ◆ Le produit a subi des dommages à cause de corps étrangers, de substances ou d'accidents.
- ◆ Des réparations ont été tentées par des techniciens ne faisant pas partie du service technique de Black & Decker.

Pour avoir recours à la garantie, il est nécessaire de fournir une preuve d'achat au vendeur ou à un réparateur agréé. Pour connaître l'adresse du réparateur agréé le plus proche de chez vous, contactez le bureau Black & Decker à l'adresse indiquée dans ce manuel. Vous pourrez aussi trouver une liste de réparateurs agréés de Black & Decker et de plus amples détails concernant notre service après-vente sur le site Internet : **[www.2helpU.com](http://www.2helpU.com)**.

Visitez notre site Web **[www.blackanddecker.fr](http://www.blackanddecker.fr)** pour enregistrer votre nouveau produit Black & Decker et être informé des nouveaux produits et des offres spéciales. Pour plus d'informations concernant la marque Black & Decker et notre gamme de produits, consultez notre site **[www.blackanddecker.fr](http://www.blackanddecker.fr)**.

## Uso previsto

Il potatore Black & Decker Alligator™ è stato progettato per il taglio di rami dagli alberi, di rami caduti a terra e di piccoli tronchi di diametro compreso tra i 25 e i 100 mm, con l'operatore in piedi a terra. L'elettrotensile non è destinato all'utilizzo professionale.

## Istruzioni di sicurezza

### Avvisi di sicurezza generici per gli elettrotensili



**Attenzione! Leggere tutti gli avvisi di sicurezza e tutte le istruzioni.** La mancata osservanza di tutte le istruzioni potrebbe causare scosse elettriche, incendi e/o infortuni gravi.

### Conservare tutte le istruzioni e le avvertenze per futura consultazione.

Il termine "elettrotensile" che ricorre in tutte le avvertenze seguenti, si riferisce ad utensili elettrici con o senza filo.

#### 1. Sicurezza nella zona di lavoro

##### a. Mantenere pulita e bene illuminata la zona di lavoro.

Il disordine e la scarsa illuminazione possono causare incidenti.

##### b. Evitare d'impiegare gli elettrotensili in ambienti esposti al rischio di esplosione, ad esempio in presenza di liquidi, gas o polveri infiammabili.

Gli elettrotensili producono scintille che possono far infiammare la polvere o i fumi.

##### c. Mantenere lontani bambini ed astanti mentre si usa l'elettrotensile. Eventuali distrazioni possono comportare la perdita del controllo dell'elettrotensile.

#### 2. Sicurezza elettrica

##### a. Le spine elettriche degli elettrotensili devono essere adatte alla presa. Evitare assolutamente di modificare la spina. Non impiegare spine adattatrici con elettrotensili provvisti di messa a terra. L'uso di spine inalterate e delle prese corrispondenti riduce il rischio di scosse elettriche.

##### b. Evitare il contatto fisico con superfici collegate a terra, come tubi, radiatori, forni e frigoriferi.

Un corpo collegato a terra è esposto maggiormente al rischio di scosse elettriche.

##### c. Custodire gli elettrotensili al riparo dalla pioggia o dall'umidità. L'eventuale infiltrazione di acqua in un elettrotensile va ad aumentare il rischio di scosse elettriche.

##### d. Non esporre il cavo a sollecitazioni. Non usare il cavo per trasportare o trainare l'elettrotensile e non tirarlo per estrarre la spina dalla presa di corrente. Mantenere il cavo al riparo dal calore, da bordi taglienti e/o da parti in movimento.

I cavi danneggiati o aggrovigliati aumentano il rischio di scosse elettriche.

##### e. Se l'elettrotensile viene adoperato all'aperto, usare esclusivamente prolunge omologate per impiego all'esterno. Un cavo idoneo per uso esterno riduce il rischio di scosse elettriche.

##### f. Se non è possibile evitare di lavorare in una zona umida, usare un'alimentazione elettrica protetta da un dispositivo a corrente residua (RCD).

L'uso di un dispositivo RCD riduce il rischio di scosse elettriche.

#### 3. Sicurezza delle persone

##### a. È importante concentrarsi su ciò che si sta facendo e maneggiare con giudizio l'elettrotensile. Non adoperare l'elettrotensile se si è stanchi o sotto l'effetto di stupefacenti, alcol o medicinali. Un attimo di distrazione durante l'uso dell'elettrotensile può causare gravi infortuni personali.

##### b. Utilizzare un equipaggiamento di protezione personale. Indossare sempre degli occhiali di sicurezza. Se si avrà cura d'indossare

l'equipaggiamento protettivo come necessario, ad esempio una maschera antipolvere, delle calzature antiscivolo, un casco o delle otoprotezioni, si riduce il rischio di infortuni.

##### c. Impedire l'avviamento involontario. Accertarsi che l'interruttore di accensione sia regolato su spento prima di collegare l'elettrotensile all'alimentazione elettrica e/o al battery pack, di prenderlo in mano o di trasportarlo.

Per non esporsi al rischio di incidenti, non trasportare gli elettrotensili tenendo le dita sull'interruttore oppure, se sono collegati a un'alimentazione elettrica, con l'interruttore acceso.

##### d. Prima di accendere un elettrotensile, togliere eventuali chiavi o attrezzi di regolazione.

Un attrezzo o una chiave lasciati in un componente mobile dell'elettrotensile possono causare lesioni.

##### e. Non sporgersi. Mantenere sempre un buon equilibrio evitando posizioni malsicure. In questo modo è possibile controllare meglio l'elettrotensile in situazioni inaspettate.

##### f. Vestirsi adeguatamente. Evitare di indossare indumenti larghi o gioielli. Tenere capelli, vestiti e guanti lontani da pezzi in movimento. Vestiti larghi, gioielli o capelli lunghi possono impigliarsi nelle parti in movimento.

##### g. Se gli elettrotensili sono provvisti di attacchi per il collegamento di dispositivi di aspirazione o di raccolta della polvere, assicurarsi che questi siano installati e utilizzati correttamente. L'impiego di tali dispositivi può ridurre i rischi correlati alle polveri.

4. **Uso e cura degli elettroutensili**
- a. **Non sovraccaricare l'elettroutensile. Usare l'elettroutensile adatto per il lavoro da eseguire.** Utilizzando l'elettroutensile adatto si potrà lavorare meglio e con maggiore sicurezza alla potenza nominale prevista.
- b. **Non utilizzare elettroutensili con interruttori difettosi.** Un elettroutensile che non può essere controllato mediante l'interruttore è pericoloso e deve essere riparato.
- c. **Scollegare la spina dalla presa di corrente e/o il battery pack dall'elettroutensile prima di regolarlo o di riporlo oppure di sostituire gli accessori.** Queste precauzioni di sicurezza riducono la possibilità che l'elettroutensile venga messo in funzione inavvertitamente.
- d. **Quando non vengono usati, gli elettroutensili devono essere custoditi fuori della portata dei bambini. Non consentire l'uso dell'elettroutensile a persone inesperte o che non abbiano letto le presenti istruzioni.** Gli elettroutensili risultano pericolosi se usati da persone inesperte.
- e. **Sottoporre gli elettroutensili alle necessarie procedure di manutenzione. Verificare che le parti mobili siano bene allineate e non inceppate, che non vi siano componenti rotti e che non sussistano altre condizioni che possano compromettere il funzionamento dell'elettroutensile. In caso di danni, riparare l'elettroutensile prima dell'uso.** La scarsa manutenzione causa molti incidenti.
- f. **Mantenere affilati e puliti gli utensili da taglio.** Se sottoposti alla giusta manutenzione, gli utensili da taglio con taglienti affilati s'inceppano meno frequentemente e sono più facili da manovrare.
- g. **Utilizzare l'elettroutensile, gli accessori e le punte in conformità delle presenti istruzioni, tenendo conto delle condizioni di lavoro e del lavoro da completare.** L'impiego degli elettroutensili per usi diversi da quelli consentiti può dar luogo a situazioni pericolose.
5. **Uso e cura degli elettroutensili a batteria**
- a. **Ricaricare solo usando l'alimentatore prescritto dal fabbricante.** Un alimentatore idoneo a un determinato battery pack potrebbe essere causa di incendio se usato con un battery pack diverso.
- b. **Usare gli elettroutensili con gli appositi battery pack.** L'impiego di battery pack di altro tipo potrebbe creare il rischio di lesioni e di incendi.

- c. **Quando il battery pack non viene usato, tenerlo lontano da altri oggetti metallici, tipo graffette, monete, chiavi, chiodi, viti o altri oggetti metallici di piccole dimensioni, che potrebbero collegare un morsetto all'altro.** Se i morsetti della batteria vengono cortocircuitati si potrebbero causare ustioni o un incendio.
- d. **A seguito di un uso improprio, la batteria potrebbe espellere del liquido; evitare ogni contatto. In caso di contatto accidentale, lavare con acqua. Se il liquido viene a contatto degli occhi, rivolgersi anche a un medico.** Il liquido espulso dalla batteria potrebbe causare irritazioni o ustioni.
6. **Riparazioni**

**Fare riparare l'elettroutensile solo ed esclusivamente da personale specializzato e solo impiegando pezzi di ricambio originali, onde non alterarne la sicurezza.**

**Altri avvisi di sicurezza per gli elettroutensili**



**Attenzione!** Altri avvisi di sicurezza per il potatore Alligator™

**Attenzione!** Non utilizzare mai l'elettroutensile al di sopra dell'altezza delle spalle. L'operatore deve sempre posizionarsi al riparo dalla caduta dei rami e dei frammenti di legno.

**Attenzione!** Non utilizzare l'elettroutensile per abbattere alberi.

- ◆ Mantenere sempre lontani dalla catena del potatore tutte le parti del corpo e gli abiti. Tenere l'elettroutensile davanti a sé e controllare la posizione del potatore, in particolare per il taglio di rami vicini al suolo. Prima di accendere l'elettroutensile, assicurarsi che la catena del potatore non sia a contatto di altri oggetti.
- ◆ Pianificare in anticipo una via di fuga sicura per evitare la caduta di rami e frammenti di legno. Assicurarsi che il percorso di fuga sia libero da ostacoli che possono impedire o intralciare il movimento. Ricordare che l'erba umida e la corteccia appena tagliata sono scivolose.
- ◆ Essere consapevoli della direzione in cui un ramo può cadere. Tenere conto di tutto ciò che può influire sulla direzione di caduta, tra cui:
  - La direzione di caduta desiderata.
  - L'inclinazione naturale del ramo.
  - L'eventuale peso insolito del ramo e la possibilità che sia secco o marcio.
  - Gli alberi e gli ostacoli circostanti, comprese le linee elettriche aeree.
  - La velocità e direzione del vento.

- ◆ La distanza di sicurezza tra un ramo da abbattere e gli osservatori, eventuali edifici e altri oggetti, è pari ad almeno due volte e mezzo la lunghezza del ramo stesso. Eventuali osservatori, edifici o oggetti entro tale distanza rischiano di essere colpiti dal ramo in caduta.
- ◆ Se si taglia un ramo sotto tensione, prestare attenzione all'effetto "molla". Quando la tensione nelle fibre del legno viene rilasciata, il ramo caricato come una molla può colpire l'operatore e/o fargli perdere il controllo dell'elettrotensile.
- ◆ Indossare sempre un adeguato equipaggiamento di sicurezza, come scarpe di sicurezza antiscivolo, casco, occhiali di protezione, otoprotezioni e guanti quando si utilizza l'elettrotensile.
- ◆ Accertarsi che sia presente un'altra persona (a distanza di sicurezza) in caso di incidente.
- ◆ Non tentare di utilizzare l'elettrotensile stando in equilibrio sull'albero, su una scala o su qualsiasi altro supporto instabile.
- ◆ Mantenere sempre un buon equilibrio evitando posizioni malsicure.
- ◆ Tenere saldamente l'elettrotensile con ambedue le mani quando il motore è in funzione.
- ◆ Mantenere le impugnature asciutte, pulite e prive di olio o grasso. La presenza di olio sulle impugnature può causare lo scivolamento e la perdita di controllo dell'elettrotensile.
- ◆ Prestare attenzione che la catena in movimento non tocchi alcun oggetto in prossimità della punta della barra di guida.
- ◆ Mantenere la catena del potatore correttamente tesa. Controllare la tensione a intervalli regolari, a motore spento e con il cavo di alimentazione scollegato.
- ◆ Iniziare e continuare un taglio solo con la catena alla massima velocità.
- ◆ Prestare attenzione allo spostamento di rami e ad altre forze che possono chiudere il taglio e bloccare o rallentare la catena.
- ◆ Utilizzare estrema cautela quando si reinserisce la sega in un taglio precedentemente iniziato. Inserire i denti sulla ganascia inferiore della lama nel legno e attendere che la catena raggiunga la piena velocità prima di procedere con il taglio.
- ◆ L'impiego dell'elettrotensile per usi diversi da quelli consentiti può dar luogo a situazioni di pericolo. Tagliare solo legno. Non utilizzare l'elettrotensile per scopi non previsti: ad esempio per tagliare plastica, murature o materiali da costruzione non legnosi.
- ◆ In caso di penetrazione di frammenti all'interno della protezione o dell'elettrotensile, interromperne il funzionamento, togliere la batteria ed eliminare i frammenti.
- ◆ Sostituire le catene e le barre di guida usurate.
- ◆ Utilizzare solamente le barre e le catene di ricambio indicate dal produttore.

## Sicurezza altrui

- ◆ Questo elettrotensile non è stato progettato per impiego da parte di persone (o bambini) portatrici di handicap fisici, psichici o sensoriali o che non abbiano la dovuta esperienza o conoscenza, a meno che non siano seguite o opportunamente istruite sul suo impiego da parte di una persona responsabile della loro sicurezza.
- ◆ Controllare che i bambini non giochino con l'elettrotensile.

## Vibrazioni

I valori dichiarati delle emissioni di vibrazioni al paragrafo Dati tecnici e Dichiarazione di conformità del presente manuale, sono stati misurati in base al metodo di test standard previsto dalla normativa EN 60745 e possono essere usati come paragone tra un attrezzo e un altro. Il valore delle emissioni di vibrazioni dichiarato può anche essere usato come valutazione preliminare dell'esposizione.

**Attenzione!** Il valore delle emissioni di vibrazioni durante l'impiego effettivo dell'elettrotensile può variare da quello dichiarato a seconda di come l'attrezzo viene usato. Il livello delle vibrazioni può aumentare oltre il livello dichiarato.

Onde proteggere le persone che usano regolarmente gli elettrotensili per svolgere le proprie mansioni, quando si valuta l'esposizione alle vibrazioni per determinare le misure di sicurezza richieste in conformità alla normativa 2002/44/CE, è necessario prendere in considerazione le condizioni effettive di utilizzo e il modo in cui l'attrezzo è usato, oltre a tenere in conto tutte le componenti del ciclo operativo, vale a dire i periodi in cui l'elettrotensile è spento, quando è acceso, ma a riposo e quando è effettivamente utilizzato.

## Etichette sugli elettrotensili

Sull'elettrotensile sono presenti i seguenti simboli:



**Attenzione!** Per ridurre il rischio di lesioni, l'utente deve leggere la guida all'uso.



Non utilizzare la sega in presenza di forte umidità o sotto la pioggia.



Indossare sempre protezioni per testa, udito e vista.





Fare attenzione alla caduta di oggetti.  
Mantenere distanti eventuali osservatori.



Non utilizzare l'elettrotensile stando in piedi su una scala.



Controllare la tensione della catena ogni 10 minuti di utilizzo. Regolare su una tolleranza massima di 3 mm.



Lubrificare la catena ogni 10 minuti di utilizzo.



Attenzione: non toccare la catena in prossimità del punto di espulsione dei trucioli.



Direzione di scorrimento della catena.

### Rischio residuo

Malgrado l'applicazione dei regolamenti di sicurezza pertinenti e la messa in opera di misure di sicurezza, determinati rischi residui sono inerenti all'utilizzo di seghe per il taglio del legno e non possono essere evitati. Tali rischi sono elencati di seguito.

- ◆ Pericolo di lesioni dovute a contatto con parti in movimento, parti affilate, parti surriscaldate, caduta di rami o di frammenti sull'operatore, sugli osservatori o sugli oggetti, proiezione di frammenti da parte dell'elettrotensile.
- ◆ Pericolo di lesioni dovute a utilizzo non previsto, caduta da scale o da posizioni di lavoro su un albero, danni al cavo di alimentazione, utilizzo dell'elettrotensile in luoghi soggetti a umidità o altrimenti pericolosi, mancato utilizzo di protezioni personali o di abbigliamento adeguato, inalazione della polvere generata dal taglio del legno.

In relazione ai rischi summenzionati sono stati inseriti avvertimenti nelle istruzioni di sicurezza e/o sono state applicate delle etichette sull'elettrotensile.

### Istruzioni di sicurezza aggiuntive per batterie e alimentatori

#### Batterie

- ◆ Non tentare di aprirle in alcun caso.
- ◆ Non lasciare che la batteria si bagni.
- ◆ Non esporre la batteria al calore.
- ◆ Non riporre in luoghi dove la temperatura potrebbe superare i 40°C.
- ◆ Caricare solo a temperatura ambiente, compresa tra 10°C e 40°C.
- ◆ Caricare solo usando l'alimentatore fornito con l'apparecchio/elettrotensile. L'impiego di un

alimentatore sbagliato potrebbe causare scosse elettriche o il surriscaldamento della batteria.

- ◆ Quando si smaltiscono le batterie, seguire le istruzioni riportate al capitolo "Protezione dell'ambiente".
- ◆ Non danneggiare/deformare il battery pack forandolo o colpendolo per evitare il rischio di lesioni o di incendio.
- ◆ Non caricare le batterie danneggiate.
- ◆ In condizioni estreme, si potrebbe verificare la perdita di liquido dalle batterie. Se si nota la presenza di liquido sulle batterie, pulirle con attenzione con uno straccio. Evitare il contatto con l'epidermide.
- ◆ In caso di contatto con la pelle o gli occhi, seguire le istruzioni riportate di seguito.

**Attenzione!** Il liquido della batteria può causare lesioni alle persone o danni alle cose. In caso di contatto con la pelle, risciacquare immediatamente con acqua. In caso di rossore, dolore o irritazione, rivolgersi immediatamente a un medico. In caso di contatto con gli occhi, risciacquarli immediatamente con acqua pulita e consultare un medico.

#### Alimentatori

L'alimentatore è stato progettato per una tensione specifica. Controllare sempre che la tensione di rete corrisponda alla tensione indicata sulla targhetta dati.

**Attenzione!** Non tentare mai di sostituire l'alimentatore con una normale spina di rete.

- ◆ Usare l'alimentatore Black & Decker solo per ricaricare la batteria nell'apparecchio/elettrotensile con il quale è stato fornito. Altre batterie potrebbero scoppiare causando lesioni alle persone e danni.
- ◆ Non tentare mai di ricaricare batterie non ricaricabili.
- ◆ In caso di danneggiamento del filo di alimentazione, è necessario farlo riparare dal fabbricante o presso un centro assistenza Black & Decker autorizzato in modo da evitare eventuali pericoli.
- ◆ Non lasciare che la batteria si bagni.
- ◆ Non aprire l'alimentatore.
- ◆ Non collegare l'alimentatore a sonde.
- ◆ L'apparecchio/elettrotensile/batteria devono essere lasciati in una zona ben ventilata durante la carica.

#### Etichette sull'alimentatore

Sull'alimentatore sono presenti i seguenti simboli:



Il doppio isolamento di cui è provvista la base di ricarica rende superfluo il filo di terra. Controllare sempre che l'alimentazione corrisponda alla tensione indicata sulla targhetta delle caratteristiche.



La base di ricarica può solo essere usata all'interno.



**Attenzione!** Per ridurre il rischio di lesioni, l'utente deve leggere la guida all'uso.

## Caratteristiche

1. Ganascia superiore
2. Ganascia inferiore
3. Barra di guida della catena
4. Coperchio di lubrificazione
5. Chiusura
6. Batteria
7. Attuatori interruttore di accensione
8. Punto di espulsione dei trucioli
9. Alimentatore

## Assemblaggio

**Attenzione!** Prima dell'assemblaggio, estrarre la batteria (6) dall'elettrotensile.

### Montaggio e rimozione della batteria (fig. A)

- ◆ Per montare la batteria (6), allinearla all'apposito vano sull'elettrotensile. Infilare la batteria (6) nell'apposito vano e calzarla fino a quando si aggancia in sede.
- ◆ Per estrarre la batteria (6), premere il pulsante di rilascio (18) estraendo al tempo stesso la batteria (6) dall'apposito vano.

### Montaggio del coperchio sulla batteria (fig. K)

**Attenzione!** Montare il coperchio (17) sulla batteria (6) per trasportarla e per metterla via.

### Apertura delle impugnature (fig. B)

- ◆ Per aprire le impugnature, far scorrere all'indietro la chiusura (5) e dividere le impugnature.
- ◆ Dopo l'impiego, chiudere le impugnature e far scorrere in avanti la chiusura (5) in posizione chiusa. Le impugnature devono essere chiuse durante il trasporto e quando si ripone l'elettrotensile.

### Regolazione della tensione della catena (fig. C)

**Attenzione!** Prima di regolare la tensione della catena o di apportare altre regolazioni, accertarsi che l'elettrotensile sia spento e che la batteria sia stata estratta.

**Attenzione!** La barra di guida della catena e la catena stessa possono essere calde dopo l'impiego. Lasciare che si raffreddino prima di regolarle.

Il prodotto viene fornito già assemblato. Si raccomanda comunque di controllare la tensione della catena del motore (14) e dei bulloni di ritegno del carter della catena prima dell'utilizzo e prima di eseguire le necessarie regolazioni.

### Controllo e regolazione della tensione della catena del motore (fig. C)

Per tendere la catena del motore (14), allentare i due bulloni di ritegno del carter (12) con la chiave (13); il tendicatena spingerà la barra della guida della catena (3) verso l'esterno impostando la corretta tensione. Serrare nuovamente a fondo i due bulloni di ritegno (12).

Controllare la corretta tensione tirando leggermente la catena del motore (14). La tensione è corretta se la catena del motore scatta all'indietro una volta allontanata di 3 mm dalla barra di guida. Non devono esservi cedimenti sul lato inferiore tra la barra di guida della catena (3) e la catena del motore (14).

**Nota:** Non tendere eccessivamente la catena del motore dato che facendolo si causa un logorio eccessivo e si abbrevia la vita della barra di guida e della catena stessa. Un'eccessiva tensione della catena riduce inoltre le prestazioni del prodotto.

**Nota:** Al primo utilizzo e comunque quando la catena del motore è nuova, controllarne la tensione frequentemente dato che le catene nuove "cedono" leggermente.

### Sostituzione della catena del motore e della barra di guida della catena

Dopo un utilizzo prolungato, potrebbe essere necessario sostituire la catena del motore (14) e/o la barra di guida della catena (3). Utilizzare solo parti di ricambio raccomandate da Black & Decker.

### Estrazione della catena del motore e della barra di guida della catena (figg. C e D)



Indossare sempre guanti di protezione per l'installazione e la rimozione della catena del motore (14). La catena del motore è affilata e può causare ferite da taglio anche da ferma.

**Attenzione!** La barra di guida della catena e la catena stessa possono essere calde dopo l'impiego. Prima di effettuare la sostituzione, attendere che la catena e la barra si raffreddino.

- ◆ Collocare l'elettrotensile su una superficie stabile.
- ◆ Allentare ed estrarre completamente i due bulloni di ritegno (12) ruotandoli in senso antiorario con la chiave (13) fornita.
- ◆ Rimuovere il carter della catena (11).
- ◆ Far scorrere la chiusura (5) sulla posizione di apertura, aprire le impugnature e tirare indietro la ganascia superiore (1).
- ◆ Tirare all'indietro la barra di guida della catena (3) ed estrarre la catena del motore (14) dal solco nella barra di guida. È quindi possibile estrarre completamente la catena dal motore.
- ◆ La barra di guida della catena (3) può poi essere inclinata verso l'alto e smontata.

### Assemblaggio della barra di guida della catena e della catena del motore (figg. E ed F).

**Attenzione!** Indossare sempre guanti di protezione per l'installazione e la rimozione della catena del motore.

La catena del potatore è affilata e può causare ferite da taglio anche da ferma.

- ◆ Assicurarsi di eseguire l'operazione su una superficie stabile.
- ◆ Far scorrere la chiusura (5) sulla posizione di apertura, aprire le impugnature e tirare indietro la ganascia superiore (1).
- ◆ Infilare la barra di guida della catena (3) nello spazio tra il tendicatena e allinearla al rispettivo dispositivo di centraggio, inclinare verso il basso la barra (3) accertandosi che sia correttamente centrata.
- ◆ Sistemare la catena del potatore (14) attorno alla parte anteriore della barra di guida della catena (3).
- ◆ Tirare all'indietro barra di guida della catena (3) e la catena del potatore (14) inserendo quest'ultima nel solco nella barra di guida (3) e quindi sopra al pignone (16) e collocando i denti nella corretta posizione sullo stesso.
- ◆ Rimettere al suo posto il carter della catena (11) e i due bulloni di ritegno (12), serrandoli a fondo.
- ◆ Accertarsi che la catena del potatore (14) sia montata correttamente rispetto agli indici sull'elettrotensile.

#### Lubrificazione (fig. G)

- ◆ Prima di iniziare il lavoro e dopo ogni 10 minuti di utilizzo è necessario lubrificare il prodotto con l'apposito olio per catene (n. di catalogo A6027). Aprire il coperchio di lubrificazione (4) e inserire il flacone nel foro di riempimento dell'olio (15); premere una volta il flacone per far uscire l'olio.
- ◆ La dose è sufficiente per circa 10 minuti di taglio a seconda della velocità di taglio e del tipo di legno.

Dal foro l'olio viene convogliato attraverso la catena del potatore sulla barra di guida (3) e una quantità eccessiva di olio può causare gocciolamenti dal potatore nella zona delle ganasce. Ciò è normale e non deve preoccupare.

#### Utilizzo

##### Carica della batteria (fig. H)

**Attenzione!** Lasciare che l'elettrotensile funzioni al suo ritmo. Non sovraccaricarlo.

##### Carica

**Attenzione!** Non caricare la batteria a temperature ambiente inferiori a 10°C o superiori a 40°C. La temperatura di carica consigliata è di circa 24°C.

**Nota:** L'alimentatore non carica un battery pack se la temperatura della cella è inferiore a 0°C o superiore a 60°C.

- ◆ Lasciare il battery pack nell'alimentatore che incomincerà a caricare automaticamente quando la temperatura della cella aumenta o diminuisce.
- ◆ Collegare l'alimentatore (9) alla presa di corrente.

- ◆ Inserire il battery pack (6) nell'alimentatore. Verificare che il battery pack sia completamente insediato nell'alimentatore (9).
- ◆ L'indicatore di carica lampeggia di continuo.
- ◆ La carica è completa quando l'indicatore di carica rimane acceso di continuo.
- ◆ L'alimentatore e il battery pack possono essere lasciati collegati indefinitamente con il LED acceso. Il LED lampeggia (stato di carica) quando l'alimentatore di tanto in tanto "rabbocca" la carica della batteria.
- ◆ L'indicatore di carica si accende se il battery pack è inserito nell'alimentatore collegato a una presa elettrica.

Caricare le batterie esauste entro una settimana. La durata delle batterie diminuisce parecchio se vengono conservate scariche.

#### Indicatori di carica

Se l'alimentatore rileva che vi è un problema con il battery pack, fa lampeggiare velocemente l'indicatore.

- ◆ In questi casi, reinserire il battery pack (6).
- ◆ Se il problema persiste, inserire un battery pack diverso nell'alimentatore per determinare se funziona.
- ◆ Se il nuovo battery pack si ricarica correttamente, significa che quello originale è difettoso e che deve essere rispedito a un centro di assistenza per il riciclaggio.
- ◆ Se anche con il nuovo battery pack si ottengono i medesimi risultati, portare l'alimentatore presso un centro di assistenza autorizzato per il controllo.

**Nota:** Ci possono volere anche 15 minuti per determinare se il battery pack è difettoso.

Se il battery pack è troppo caldo o troppo freddo, il LED lampeggia alternamente a un ritmo veloce e lento con un lampeggio veloce e uno lento ripetuti nel tempo.

#### Preparativi

- ◆ Eseguire una regolare pulizia dell'elettrotensile come descritto nella sezione dedicata alla manutenzione; in particolare mantenere pulito l'interno del carter della catena (11).
- ◆ Le ganasce inferiore (2) e superiore (1) sono studiate per chiudersi quando una delle impugnature viene rilasciata o quando il ramo su cui si lavora è tagliato completamente. Se ciò non avviene, interrompere l'utilizzo ed estrarre la batteria dall'elettrotensile.
- ◆ Controllare la presenza di eventuali frammenti che bloccano il movimento. Per agevolare il processo può essere necessario rimuovere il carter della catena (11). Se in fase di assemblaggio il problema è ancora presente, portare l'elettrotensile presso un rivenditore autorizzato.

#### Accensione e spegnimento.

**Attenzione!** Non tentare mai di bloccare un attuatore-interruttore in posizione accesa.

Per la sicurezza dell'operatore, questo elettroutensile è dotato di un sistema a doppio interruttore. Tale sistema impedisce l'avvio indesiderato dell'elettroutensile.

### Accensione (fig. I)

Afferrare saldamente le impugnature e premere entrambi gli attuatori degli interruttori per accendere l'elettroutensile.

### Spegnimento (fig. I)

Rilasciare uno dei due interruttori.

**Nota:** Affinché il prodotto funzioni, è necessario che ambedue gli interruttori siano azionati.

Non sovraccaricare l'elettroutensile: lasciare allo stesso tempo di compiere il proprio lavoro. Il prodotto esegue un lavoro migliore e più sicuro alla velocità per cui è stato progettato. Una forza eccessiva può causare l'allungamento della catena del potatore.

Se la catena del potatore (14) o la barra di guida (3) si inceppano:

- ◆ Spegnerne l'elettroutensile.
- ◆ Estrarre la batteria dall'elettroutensile.

Aprire il taglio inserendo dei cunei per alleviare la pressione sulla barra di guida. Non tentare di liberare la sega tagliando in senso contrario. Iniziare un taglio nuovo.

### Potatura dei rami (fig. J)

Assicurarsi che le leggi e i regolamenti locali non proibiscano o controllino la potatura dei rami degli alberi.

- ◆ Assicurarsi che l'elettroutensile funzioni alla velocità massima prima di iniziare un taglio.
- ◆ Mantenere saldamente in posizione l'elettroutensile evitando i possibili rimbalzi o movimenti laterali.
- ◆ Guidare l'elettroutensile esercitando una leggera pressione.
- ◆ Tagliare sempre dall'alto verso il basso. In questo modo si evita l'inceppamento della catena del potatore (14).
- ◆ Togliere i rami come illustrato in figura J. Iniziando dalla punta del ramo, ridurre quest'ultimo procedendo secondo logica e tagliandone via piccole sezioni.
- ◆ Estrarre l'elettroutensile dal taglio quando gira ancora alla velocità massima.

### Manutenzione

Questo elettroutensile Black & Decker è stato progettato per funzionare a lungo con una manutenzione minima. Per ottenere prestazioni sempre soddisfacenti occorre avere cura dell'elettroutensile e sottoporlo a pulizia periodica.

**Attenzione!** Prima di eseguire interventi di manutenzione su elettroutensili con o senza filo procedere come descritto di seguito:

- ◆ Spegnerne e scollegare l'apparecchio/elettroutensile.
- ◆ Oppure spegnere ed estrarre la batteria se l'apparecchio/elettroutensile è dotato di battery pack a parte.
- ◆ O scaricare completamente la batteria se è di tipo integrale e quindi spegnere l'elettroutensile.
- ◆ Scollegare l'alimentatore prima di pulirlo. L'alimentatore non richiede nessuna manutenzione salvo una regolare pulizia.

Pulire regolarmente le prese di ventilazione dell'apparecchio/elettroutensile/alimentatore con un pennello o con un panno morbido e asciutto.

Il vano del motore deve essere pulito regolarmente con un panno umido. Non usare materiali abrasivi o detergenti a base di solventi.

Aprire regolarmente il mandrino e batterlo leggermente per eliminare la polvere dall'interno (se in dotazione).

### Pulitura

- ◆ Togliere con regolarità il carter della catena (11) e rimuovere eventuali frammenti che sono rimasti intrappolati.
- ◆ Pulire regolarmente le feritoie di ventilazione con un pennello pulito e asciutto.
- ◆ Per pulire l'elettroutensile, utilizzare solamente sapone neutro e un panno umido. Evitare la penetrazione di liquidi all'interno dell'elettroutensile e non immergere mai nessuna parte dello stesso in un liquido.

### Lubrificazione

- ◆ Oliare con regolarità i punti da lubrificare (15) come indicato in figura D.

### Trasporto

- ◆ Trasportare sempre l'elettroutensile con le ganasce chiuse e la chiusura (5) in posizione chiusa.

### Affilatura della catena

Per ottenere prestazioni ottimali, è importante mantenere affilati i denti della catena del potatore. Le istruzioni su come eseguire questa procedura sono riportate sulla confezione dell'affilatoio. A tale scopo consigliamo l'acquisto del kit di affilatura della catena del potatore, n. A6039 (reperibile presso i centri di assistenza Black&Decker e i rivenditori autorizzati).

### Sostituzione delle catene del potatore usurate

Le catene di ricambio del potatore sono disponibili presso i dettaglianti o i centri di assistenza Black & Decker. Utilizzare esclusivamente pezzi di ricambio originali.

## Filo della catena

I taglienti della catena della motosega perdono immediatamente il filo se toccano il terreno o un chiodo durante il taglio.

## Tensione della catena della sega

Controllare regolarmente la tensione della catena della sega.

## Riparazione della motosega.

Il presente elettrotensile è conforme ai requisiti di sicurezza in vigore. Le riparazioni devono essere affidate esclusivamente a personale qualificato ed eseguite solo con pezzi di ricambio originali, per evitare di esporre gli operatori a considerevoli rischi. Consigliamo di conservare il presente manuale d'uso in un luogo sicuro.

## Conservazione

Se si prevede di non utilizzare l'elettrotensile per più mesi, cospargere di olio tutte le parti in metallo. Idealmente lasciare la batteria (6) collegata all'alimentatore.

Procedere come descritto di seguito:

- ◆ Caricare completamente la batteria (6).
- ◆ Estrarre la batteria (6) dall'elettrotensile.
- ◆ Conservare l'elettrotensile e la batteria (6) in un luogo sicuro e asciutto. La temperatura del luogo in cui si ripone l'elettrotensile deve sempre essere da +5°C a +40°C. Appoggiare la batteria su di una superficie piana (6).
- ◆ Prima di usare l'elettrotensile dopo un lungo periodo di inutilizzo, caricare di nuovo, completamente, la batteria (6).

## Protezione dell'ambiente



■ Raccolta differenziata. Questo prodotto non deve essere smaltito con i normali rifiuti domestici.

Nel caso in cui l'elettrotensile Black & Decker debba essere sostituito o non sia più necessario, non smaltirlo con i normali rifiuti domestici. Metterlo da parte per la raccolta differenziata.



La raccolta differenziata dei prodotti e degli imballaggi utilizzati consente il riciclaggio dei materiali e il loro continuo utilizzo. Il riutilizzo dei materiali riciclati favorisce la protezione dell'ambiente prevenendo l'inquinamento e riduce il fabbisogno di materie prime.

Seguire la regolamentazione locale per la raccolta differenziata dei prodotti elettrici che può prevedere punti di raccolta o la consegna dell'elettrotensile al rivenditore presso il quale viene acquistato un nuovo prodotto.

Black & Decker offre ai suoi clienti la possibilità di riciclare i prodotti Black & Decker che hanno esaurito la loro vita di servizio. Per usufruire di tale servizio, è sufficiente restituire il prodotto a qualsiasi tecnico autorizzato, incaricato della raccolta per conto dell'azienda.

Per individuare il tecnico autorizzato più vicino, rivolgersi alla sede Black & Decker locale, presso il recapito indicato nel presente manuale. Altrimenti, un elenco completo di tutti i tecnici autorizzati Black & Decker e i dettagli completi sui contatti e i servizi post-vendita sono disponibili su Internet all'indirizzo: [www.2helpU.com](http://www.2helpU.com).

## Batterie



■ Alla fine della loro vita utile, smaltire le batterie in conformità alle norme ambientali:

- ◆ Non cortocircuitare i terminali della batteria.
- ◆ Non smaltire le batterie bruciandole dato che si potrebbe causare un'esplosione.
- ◆ Scaricare completamente la batteria e toglierla dall'elettrotensile.
- ◆ Le batterie sono riciclabili. Imballare la batteria o le batterie in modo idoneo per evitare che i terminali possano essere cortocircuitati. Portarle presso un tecnico autorizzato o il centro di riciclaggio di zona.

**Dati tecnici**

<b>GKC1000L H1</b>	
Tensione	V c.c. 18
Velocità catena (senza carico)	m/min 1,9
Massimo diametro di taglio	mm 100
Peso	kg 3,5

<b>Batteria A1518L</b>	
Tensione	V c.c. 18
Corrente erogata	A 3,7
Capacità	A/h 1,5
Batteria	Tipo Li-Ion
Peso	kg 0,45

<b>Alimentatore 9053954*</b>	
Tensione in ingresso	V c.a. 230
Tensione erogata	V c.c. 21
Corrente erogata	A 1,9
Tempo di ricarica indicativo	
Batteria da 1,5 A/h	ore 1
Peso	kg 0,5

Livello garantito di pressione sonora, misurata in conformità alla normativa. 2000/14/CE:

$L_{pA}$  (pressione sonora) 85 dB(A), incertezza (K) 3 dB(A)  
 $L_{WA}$  (potenza sonora) 96 dB(A), incertezza (K) 3 dB(A)  
 $L_{WA}$  (garantita) 97 dB(A)

Valori totali vibrazioni (somma vettoriale triassiale)  
in base a EN 60745

Taglio di legno dolce appena abbattuto ( $a_h$ ) = 3,8 m/s<sup>2</sup>,  
incertezza (K) = 1,5 m/s<sup>2</sup>

**Dichiarazione CE di conformità**

DIRETTIVA SUI MACCHINARI  
DIRETTIVA SULL'EMISSIONE SONORA IN AMBIENTE  
ESTERNO



**GKC1000L**

Black & Decker dichiara che i prodotti descritti al paragrafo "Dati tecnici" sono conformi a:

2006/42/CE

EN 60745-1

2000/14/CE, catena patate, Allegato VI

Livello di potenza sonora in base a 2000/14/CE

$L_{WA}$  (pressione sonora misurata) dB 85

$L_{WA}$  (pressione sonora garantita) dB 97

Per ulteriori informazioni contattare Black & Decker al seguente indirizzo oppure consultare l'ultima di copertina del manuale.

Il sottoscritto è responsabile della redazione di questo documento tecnico e rilascia questa dichiarazione per conto di Black & Decker.

Kevin Hewitt  
Vice-President Global Engineering  
Black & Decker Europe,  
210 Bath Road, Slough,  
Berkshire, SL1 3YD,  
Regno Unito  
22-02-2010

Per il potatore Alligator™ è stata presentata richiesta di brevetto in Europa, negli Stati Uniti e in altri Paesi del mondo. ALLIGATOR è un marchio depositato di Black & Decker Corporation.

## Garanzia

Certa della qualità dei suoi prodotti, Black & Decker offre una garanzia eccezionale. Il presente certificato di garanzia è complementare ai diritti legali e non li pregiudica in alcun modo. La garanzia è valida entro il territorio degli Stati membri dell'Unione Europea e dell'EFTA (European Free Trade Area).

Se un prodotto Black & Decker risulta difettoso per qualità del materiale, della costruzione o per mancata conformità entro 24 mesi dalla data di acquisto, Black & Decker garantisce la sostituzione delle parti difettose, provvede alla riparazione dei prodotti se ragionevolmente usurati oppure alla loro sostituzione, in modo da ridurre al minimo il disagio del cliente a meno che:

- ◆ Il prodotto non sia stato destinato ad usi commerciali, professionali o al noleggio;
- ◆ Il prodotto non sia stato usato in modo improprio o scorretto;
- ◆ Il prodotto non abbia subito danni causati da oggetti o sostanze estranee oppure incidenti;
- ◆ Il prodotto non abbia subito tentativi di riparazione non effettuati da tecnici autorizzati né dall'assistenza Black & Decker.

Per attivare la garanzia è necessario esibire la prova di acquisto al venditore o al tecnico autorizzato. Per individuare il tecnico autorizzato più vicino, rivolgersi alla sede Black & Decker locale, presso il recapito indicato nel presente manuale. Altrimenti, un elenco completo di tutti i tecnici autorizzati Black & Decker e i dettagli completi sui contatti e i servizi post-vendita sono disponibili su Internet all'indirizzo: [www.2helpU.com](http://www.2helpU.com).

I clienti che desiderano registrare il nuovo prodotto Black & Decker e ricevere gli aggiornamenti sui nuovi prodotti e le offerte speciali, sono invitati a visitare il sito Web ([www.blackanddecker.it](http://www.blackanddecker.it)). Ulteriori informazioni sul marchio e la gamma di prodotti Black & Decker sono disponibili all'indirizzo [www.blackanddecker.it](http://www.blackanddecker.it).

## Beoogd gebruik

Uw Black & Decker Alligator™ Lopper is ontworpen voor het snoeien van boomtakken, het doorzagen van gesnoeide takken en het zagen van kleine houtblokken met een diameter van 25 tot 100 mm terwijl de gebruiker op de grond staat. Dit gereedschap is uitsluitend bestemd voor consumentengebruik.

## Veiligheidsinstructies

### Algemene veiligheidswaarschuwingen voor elektrisch gereedschap



**Waarschuwing! Lees alle veiligheidswaarschuwingen en alle instructies.** Wanneer de instructies niet in acht worden genomen, kan dit een elektrische schok, brand of ernstig letsel tot gevolg hebben.

### Bewaar alle waarschuwingen en instructies als referentiemateriaal.

Het hierna gebruikte begrip 'elektrisch gereedschap' heeft betrekking op elektrische gereedschappen voor gebruik op de netspanning (met netsnoer) of op accu (snoerloos).

1. **Veilige werkomgeving**
  - a. **Houd uw werkomgeving schoon en opgeruimd.** Een rommelige of onverlichte werkomgeving kan tot ongevallen leiden.
  - b. **Gebruik elektrisch gereedschap niet in een omgeving met explosiegevaar, zoals in de nabijheid van brandbare vloeistoffen, gassen of stof.** Elektrisch gereedschap veroorzaakt vonken die het stof of de dampen tot ontsteking kunnen brengen.
  - c. **Houd kinderen en andere personen tijdens het gebruik van elektrisch gereedschap uit de buurt.** Wanneer u wordt afgeleid, kunt u de controle over het gereedschap verliezen.
2. **Elektrische veiligheid**
  - a. **De netstekker van het gereedschap moet in het stopcontact passen. De stekker mag in geen geval worden omgebouwd. Gebruik geen adapterstekkers in combinatie met gearde gereedschappen.** Niet omgebouwde stekkers en passende stopcontacten beperken het risico van een elektrische schok.
  - b. **Vermijd aanraking van het lichaam met gearde oppervlakken, bijvoorbeeld buizen, verwarmingen, fornuizen en koelkasten.** Er bestaat een verhoogd risico voor een elektrische schok wanneer uw lichaam geard is.
  - c. **Houd het gereedschap uit de buurt van regen en vocht.** Het binnendringen van water in het elektrische gereedschap vergroot het risico van een elektrische schok.
  - d. **Gebruik het snoer niet voor een verkeerd doel. Gebruik het snoer niet om het gereedschap te dragen of op te hangen of om de stekker uit het stopcontact te trekken. Houd het snoer uit de buurt van hitte, olie, scherpe randen of bewegende delen.** Beschadigde of in de war geraakte snoeren vergroten het risico van een elektrische schok.
  - e. **Wanneer u buitenshuis met elektrisch gereedschap werkt, dient u alleen verlengsnoeren te gebruiken die zijn goedgekeurd voor gebruik buitenshuis.** Het gebruik van een verlengsnoer dat geschikt is voor gebruik buitenshuis beperkt het risico van een elektrische schok.
  - f. **Als u een elektrisch gereedschap moet gebruiken in een vochtige locatie, moet u een aardlekschakelaar gebruiken.** Met een aardlekschakelaar wordt het risico van een elektrische schok verkleind.
3. **Veiligheid van personen**
  - a. **Wees alert, let goed op wat u doet en ga met verstand te werk bij het gebruik van elektrische gereedschappen. Gebruik elektrisch gereedschap niet wanneer u moe bent of onder invloed van drugs, alcohol of medicijnen.** Een moment van onoplettendheid bij het gebruik van het gereedschap kan leiden tot ernstige verwondingen.
  - b. **Draag persoonlijke beschermende uitrusting. Draag altijd een veiligheidsbril.** Het dragen van persoonlijke beschermende uitrusting zoals een stofmasker, slijpvaste werkschoenen, een veiligheidshelm of gehoorbescherming, afhankelijk van de aard en het gebruik van het elektrische gereedschap, vermindert het risico van verwondingen.
  - c. **Voorkom per ongeluk inschakelen. Controleer of de schakelaar in de uit-stand staat voordat u het gereedschap aansluit op het stopcontact en/of de accu en voordat u het gereedschap optilt of gaat dragen.** Wanneer u bij het dragen van het gereedschap uw vinger op de schakelaar houdt of wanneer u het gereedschap per ongeluk inschakelt, kan dat leiden tot ongevallen.
  - d. **Verwijder instelgereedschappen of schroefslutels voordat u het gereedschap inschakelt.** Een instelgereedschap of sleutel in een draaiend deel van het gereedschap kan tot verwondingen leiden.
  - e. **Reik niet te ver. Zorg er altijd voor dat u stevig staat en in evenwicht blijft.** Daardoor kunt u het gereedschap in onverwachte situaties beter onder controle houden.
  - f. **Draag geschikte kleding. Draag geen loshangende kleding of sieraden. Houd haren, kleding en handschoenen uit de buurt van bewegende delen.** Loshangende kleding, sieraden en lange haren kunnen door bewegende delen worden meegenomen.



- g. Wanneer stofafzuigings- of stofopvangvoorzieningen kunnen worden gemonteerd, dient u zich ervan te verzekeren dat deze zijn aangesloten en juist worden gebruikt.** Het gebruik van deze voorzieningen beperkt het gevaar door stof.
- 4. Gebruik en onderhoud van elektrisch gereedschap**
- a. Overbelast het gereedschap niet. Gebruik voor uw toepassing het daarvoor bestemde elektrische gereedschap.** Met het passende elektrische gereedschap werkt u beter en veiliger binnen het aangegeven capaciteitsbereik.
- b. Gebruik geen elektrisch gereedschap waarvan de schakelaar defect is.** Elektrisch gereedschap dat niet meer kan worden in- of uitgeschakeld, is gevaarlijk en moet worden gerepareerd.
- c. Trek de stekker uit het stopcontact en/of de accu uit het elektrisch gereedschap voordat u het gereedschap instelt, toebehoren wisselt of het gereedschap opbergt.** Met deze voorzorgsmaatregel voorkomt u onbedoeld starten van het gereedschap.
- d. Bewaar niet-gebruikte elektrische gereedschappen buiten bereik van kinderen. Laat het gereedschap niet gebruiken door personen die er niet vertrouwd mee zijn en deze aanwijzingen niet hebben gelezen.** Elektrische gereedschappen zijn gevaarlijk wanneer deze door onervaren personen worden gebruikt.
- e. Verzorg het gereedschap zorgvuldig. Controleer of bewegende delen van het gereedschap correct functioneren en niet klemmen, en of er onderdelen zodanig zijn gebroken of beschadigd dat de werking van het gereedschap nadelig wordt beïnvloed. Laat beschadigde delen repareren voordat u het gereedschap gebruikt.** Veel ongevallen worden veroorzaakt door slecht onderhouden elektrische gereedschappen.
- f. Houd snijdende inzetgereedschappen scherp en schoon.** Zorgvuldig onderhouden snijdende inzetgereedschappen met scherpe snijkanten klemmen minder snel en zijn gemakkelijker te geleiden.
- g. Gebruik elektrische gereedschappen, toebehoren, inzetgereedschappen en dergelijke volgens deze aanwijzingen. Let daarbij op de arbeidsomstandigheden en de uit te voeren werkzaamheden.** Het gebruik van elektrische gereedschappen voor andere dan de voorziene toepassingen kan leiden tot gevaarlijke situaties.

- 5. Gebruik en onderhoud van snoerloos elektrisch gereedschap**
- a. Laad accu alleen op met de door de fabrikant aanbevolen lader.** Een lader die geschikt is voor een bepaald type accu kan brandgevaar opleveren wanneer deze in combinatie met andere accu's wordt gebruikt.
- b. Gebruik elektrisch gereedschap alleen in combinatie met specifiek vermelde accu's.** Het gebruik van andere accu's kan gevaar voor letsel en brand opleveren.
- c. Houd accu's die niet worden gebruikt uit de buurt van andere metalen voorwerpen, zoals paperclips, munten, spijkers, schroeven of andere kleine metalen voorwerpen die een verbinding van de ene pool naar de andere tot stand kunnen brengen.** Als kortsluiting tussen de polen van de accu's wordt gemaakt, kunnen brandwonden of brand worden veroorzaakt.
- d. Onder extreme omstandigheden kan er vloeistof uit de accu spuiten. Vermijd contact. Indien onbedoeld contact plaatsvindt, spoelt u met water. Als vloeistof in aanraking komt met ogen, raadpleegt u bovendien uw huisarts.** Vloeistof die uit de accu spuit, kan irritatie of brandwonden veroorzaken.

## 6. Service

**Laat het gereedschap alleen repareren door gekwalificeerd en vakkundig personeel en alleen met originele vervangingsonderdelen.** Daarmee wordt de veiligheid van het gereedschap gewaarborgd.

### Aanvullende veiligheidsaanschuivingen voor elektrisch gereedschap



**Waarschuwing!** Aanvullende veiligheidsaanschuivingen voor de Alligator™ Lopper.

**Waarschuwing!** Gebruik het gereedschap nooit boven schouderhoogte. Zorg dat u buiten de baan blijft van vallende takken en zaagafval.

**Waarschuwing!** Gebruik dit gereedschap niet om bomen om te zagen.

- ◆ Blijf te allen tijde met uw lichaam en kleding uit de buurt van de zaagketting. Houd het gereedschap vóór u en wees u bewust van de stand van de zaagketting, vooral als u takken vlak bij de grond doorzaagt. Controleer voordat u het gereedschap start of de zaagketting vrij kan draaien.
- ◆ Bepaal van tevoren een veilige vluchtweg bij vallende takken en zaagafval. Zorg dat de vluchtweg vrij is van obstakels die u zouden kunnen hinderen. Bedenk dat nat gras en vers gezaagde boomschors glad zijn.

- ◆ Wees u bewust van de waarschijnlijke valrichting van takken. Houd rekening met alle factoren die de valrichting kunnen beïnvloeden, zoals:
  - De beoogde valrichting.
  - De natuurlijke kromming van de tak.
  - Een verdikking of rotte plek.
  - Andere bomen of obstakels zoals bovengrondse kabels.
  - De richting en kracht van de wind.
- ◆ De veilige afstand tussen een tak die wordt afgesnoeid en omstanders, gebouwen en andere objecten is ten minste 2 1/2 keer de lengte van de tak. Een omstander, gebouw of object binnen deze afstand loopt het risico door de vallende tak te worden geraakt.
- ◆ Als u een tak doorzaagt die onder spanning staat, wees dan bedacht op terugveren daarvan. Als de spanning in de houtvezels vrijkomt, kan de tak tegen u aanslaan en/of het gereedschap uit uw handen wringen.
- ◆ Draag altijd geschikte veiligheidsmiddelen bij het gebruik van het gereedschap, zoals veiligheidsschoenen met antislipzolen, een helm, een stofbril, gehoorbeschermers en handschoenen.
- ◆ Zorg dat er altijd iemand in de buurt is (op een veilige afstand) die bij een ongeval hulp kan bieden.
- ◆ Gebruik het gereedschap nooit terwijl u in een boom, op een ladder of op een andere instabiele verhoging staat.
- ◆ Zorg altijd dat u stevig en in evenwicht staat.
- ◆ Houd het gereedschap stevig met beide handen vast als de motor draait.
- ◆ Houd de handvatten droog, schoon en vrij van olie en vet. Vettige handvatten zijn glad, waardoor u de controle over het gereedschap kunt verliezen.
- ◆ Zorg dat het uiteinde van de kettinggeleider nergens mee in aanraking komt als de zaagketting draait.
- ◆ Zorg dat de ketting op de juiste spanning blijft. Controleer de kettingspanning regelmatig met de motor uit en het netsnoer losgekoppeld.
- ◆ Zaag uitsluitend met de ketting draaiend op volle snelheid.
- ◆ Wees bedacht op bewegende takken of andere krachten die de zaagsnede kunnen dichtknijpen of met de ketting in aanraking kunnen komen.
- ◆ Ga zeer voorzichtig te werk wanneer u verder gaat zagen in een eerder gemaakte zaagsnede. Zorg dat de tanden van de onderkaak in het hout grijpen en laat de zaagketting op volle snelheid komen voordat u verdergaat met zagen.
- ◆ Het gebruik van dit gereedschap voor doeleinden waarvoor het niet is ontworpen kan leiden tot gevaarlijke situaties. Zaag uitsluitend hout. Gebruik het gereedschap niet om andere materialen mee te zagen, zoals kunststoffen, metselwerk of andere bouwmaterialen dan hout.
- ◆ Als er zaagafval in het gereedschap vast komt te zitten, stop dan met zagen, verwijder de accu en het afval.
- ◆ Een versleten zaagketting of kettinggeleider dient onmiddellijk te worden vervangen.
- ◆ Gebruik uitsluitend door de fabrikant aanbevolen vervangingsonderdelen.

## Veiligheid van anderen

- ◆ Dit apparaat mag niet worden gebruikt door personen (waaronder kinderen) die lichamelijk of geestelijk mindervalide zijn of die geen ervaring met of kennis van dit apparaat hebben, tenzij ze onder toezicht staan of instructies krijgen wat betreft het gebruik van het apparaat van een persoon die verantwoordelijk is voor hun veiligheid.
- ◆ Houd toezicht op kinderen om ervoor te zorgen dat zij niet met het apparaat gaan spelen.

## Trilling

De aangegeven waarden voor trillingsemisatie in de technische gegevens en de conformiteitsverklaring zijn gemeten conform een standaardtestmethode die door EN 60745 wordt geboden. Hiermee kan het ene gereedschap met het andere worden vergeleken. De aangegeven waarde voor trillingsemisatie kan ook worden gebruikt bij een voorlopige bepaling van blootstelling.

**Waarschuwing!** De waarde voor trillingsemisatie tijdens het werkelijke gebruik van het gereedschap kan verschillen van de aangegeven waarde afhankelijk van de manieren waarop het gereedschap wordt gebruikt. Het trillingsniveau kan hoger worden dan het aangegeven niveau.

Wanneer de blootstelling aan trillingen wordt vastgesteld teneinde veiligheidsmaatregelen te bepalen die worden vereist door 2002/44/EG ter bescherming van personen die tijdens hun werk regelmatig elektrische gereedschappen gebruiken, moet bij een schatting van de blootstelling aan trillingen rekening worden gehouden met de werkelijke omstandigheden van het gebruik en de manier waarop het gereedschap wordt gebruikt. Daarbij moet ook rekening worden gehouden met alle stappen in de gebruikscyclus, zoals het moment waarop het gereedschap wordt uitgeschakeld en wanneer het gereedschap stationair loopt alsook de aanlooptijd.

## Labels op het gereedschap

De volgende symbolen worden op het gereedschap weergegeven:



**Waarschuwing!** De gebruiker moet de instructiehandleiding lezen om het risico op letsel te verminderen.



Gebruik uw zaag niet in natte omstandigheden en stel deze niet bloot aan regen.



Draag altijd hoofd-, gehoor- en gezichtsbescherming.



Wees bedacht op vallende objecten.



Houd omstanders uit de buurt.



Gebruik het gereedschap niet op een ladder.



Controleer de kettingspanning na elke 10 minuten gebruik. Stel de ketting af op een speling van 3 mm.



Smeer de ketting na elke tien minuten gebruik.



Waarschuwing - raak de ketting niet aan bij de zaagselafvoer.



Draairichting van de ketting.

## Overblijvend risico

Ook als de toepasselijke veiligheidsvoorschriften worden gevolgd en geschikte veiligheidsmaatregelen worden genomen, blijven er bepaalde risico's verbonden aan het gebruik van kettingzagen. Dit zijn:

- ◆ Risico op letsel door contact met bewegende, scherpe of hete onderdelen, uitgeworpen zaagafval en objecten die op de gebruiker, omstanders of eigendommen vallen.
- ◆ Risico op letsel door verkeerd gebruik, een val van een ladder of uit een boom, gebruik onder natte of gevaarlijke omstandigheden, beschadiging van het netsnoer, gebruik door jonge of lichamelijk zwakke mensen, het niet dragen van veiligheidsmiddelen of geschikte kleding of het inademen van zaagsel.

De hierboven genoemde risico's zijn kenbaar gemaakt door waarschuwingen in de veiligheidsinstructies en/of symbolen op het gereedschap.

## Aanvullende veiligheidsinstructies voor accu's en laders chargers

### Accu's

- ◆ Probeer accu's niet te openen, om welke reden ook.
- ◆ Stel de accu niet bloot aan water.
- ◆ Stel de accu niet bloot aan hitte.
- ◆ Bewaar deze niet op locaties met temperaturen van meer dan 40°C.
- ◆ Laad de batterijen alleen op bij een omgevingstemperatuur van 10-40°C.
- ◆ Gebruik alleen de lader die bij het gereedschap/apparaat is geleverd. Als u de verkeerde oplader gebruikt, kan dit een elektrische schok of oververhitting van de accu tot gevolg hebben.
- ◆ Gooi lege accu's weg volgens de instructies in het gedeelte "Milieu".
- ◆ De accubehuizing mag niet worden beschadigd of vervormd door er gaten in te laten komen of ertegen aan te stoten, aangezien dit kan leiden tot letsel of brand.
- ◆ Laad beschadigde batterijen niet op.
- ◆ Onder extreme omstandigheden kunnen batterijen lekkages vertonen. Als u vloeistof op de batterijen aantreft. Veeg de vloeistof voorzichtig af met een doek. Vermijd huidcontact.
- ◆ Bij huid- of oogcontact volgt u de onderstaande instructies.

**Waarschuwing!** De accuvloeistof kan letsel of materiële schade veroorzaken. Bij huidcontact moet u de vloeistof direct afspoelen met water. Raadpleeg uw huisarts als er rode vlekken ontstaan of bij een pijnlijke of geïrriteerde huid. Bij oogcontact moet u de vloeistof direct afspoelen met water en uw huisarts raadplegen.

### Laders

De lader is ontworpen voor een specifieke spanning. Controleer altijd of de netspanning overeenkomt met de waarde op het typeplaatje.

**Waarschuwing!** Probeer nooit om de oplaadeenheid door een normale netstekker te vervangen.

- ◆ Gebruik de lader van Black & Decker alleen voor de accu in het gereedschap/apparaat waarbij de lader is bijgeleverd. Andere batterijen kunnen exploderen met letsel en materiële schade als gevolg.
- ◆ Niet-laadbare accu's mogen nooit worden opgeladen.
- ◆ Als het netsnoer is beschadigd, moet dit worden vervangen door de fabrikant of een Black & Decker-servicecentrum.
- ◆ Stel de lader niet bloot aan water.
- ◆ Open de lader niet.
- ◆ Prik nooit met een scherp voorwerp in de lader.

- ◆ Laat het apparaat/het gereedschap/de batterij in een goed geventileerde locatie.

## Labels op de lader

Uw lader is voorzien van de volgende symbolen:



De laadhouders is dubbel geïsoleerd, zodat een aardaansluiting niet noodzakelijk is. Controleer altijd of uw netspanning overeenkomt met de waarde op het typeplaatje.



De laadhouders is uitsluitend bestemd voor binnengebruik.



**Waarschuwing!** De gebruiker moet de instructiehandleiding lezen om het risico op letsel te verminderen.

## Onderdelen

1. Bovenkaak
2. Onderkaak
3. Kettinggeleider
4. Smeerpuntdafdekking
5. Klepje
6. Accu
7. Aan/uit-schakelaars
8. Zaagselafvoer
9. Lader

## Montage

**Waarschuwing!** Verwijder de accu (6) uit het gereedschap voordat u gaat monteren.

### De accu plaatsen en verwijderen (fig. A)

- ◆ U plaatst de accu (6) door deze op één lijn te plaatsen met het contragedeelte op het gereedschap. Schuif de accu (6) in het contragedeelte en duw totdat de accu (6) vastklikt.
- ◆ Als u de accu (6) wilt verwijderen, drukt u op de vergrendelingsknop (18) en trekt u tegelijkertijd de accu (6) uit het contragedeelte.

### De accudop plaatsen (fig. K)

**Waarschuwing!** Plaats de dop (17) op de accu (6) voor vervoer en opslag.

### De handgrepen openen (fig. B)

- ◆ Als u de handgrepen wilt openen, schuift u het klepje (5) naar achteren en trekt u de handgrepen uit elkaar.
- ◆ Na gebruik sluit u de handgrepen en schuift u het klepje (5) naar voren in de vergrendelingspositie. De handgrepen moeten vergrendeld zijn wanneer u het gereedschap vervoert en opslaat.

### Kettingspanning afstellen (fig. C)

**Waarschuwing!** Schakel het gereedschap uit en verwijder de accu alvorens de kettingspanning of andere onderdelen af te stellen.

**Waarschuwing!** Het kettingzwaard en de zaagketting kunnen na gebruik heet zijn. Laat deze onderdelen afkoelen alvorens ze af te stellen.

Het product wordt volledig gemonteerd geleverd. Niettemin wordt aanbevolen de spanning van de zaagketting (14) en de bouten van de kettingkap voor gebruik te controleren en zo nodig af te stellen.

### De zaagkettingspanning controleren en afstellen (fig. C)

Als u de zaagketting (14) wilt spannen, draait u de twee kettingkapbouten (12) terug met de sleutel (13). De kettingspanner drukt nu het kettingzwaard (3) naar voren, waardoor de juiste kettingspanning wordt ingesteld. Zet de twee kettingbouten (12) weer stevig vast.

Controleer of de juiste kettingspanning is ingesteld door lichtjes aan de zaagketting (14) te trekken. De spanning is correct wanneer de zaagketting terugschiet als deze 3 mm van de kettinggeleider wordt weggetrokken. De zaagketting (14) mag niet "doorzakken" aan de onderzijde van het kettingzwaard (3).

**Opmerking:** Stel de zaagketting niet te strak af, dit leidt tot overmatige slijtage en beperkt de levensduur van de geleider en de zaagketting. Daarnaast zullen de prestaties van het gereedschap verminderen.

**Opmerking:** Controleer de kettingspanning regelmatig bij het eerste gebruik en na vervanging van de zaagketting, aangezien nieuwe zaagkettingen meer rek vertonen.

### De zaagketting en het kettingzwaard vervangen

Na langdurig gebruik moet de zaagketting (14) en/of het kettingzwaard (3) mogelijk worden vervangen. Gebruik hiervoor uitsluitend door Black & Decker aanbevolen vervangingsonderdelen.

### De zaagketting en het kettingzwaard verwijderen (fig. C & D)



Draag altijd handschoenen bij het verwijderen of monteren van de zaagketting (14). De ketting is scherp en kan u ook verwonden als deze niet draait.

**Waarschuwing!** Het kettingzwaard en de zaagketting kunnen na gebruik heet zijn. Laat het kettingzwaard en de zaagketting afkoelen alvorens deze te vervangen.

- ◆ Plaats het gereedschap op een stevige ondergrond.
- ◆ Draai de twee kettingbouten (12) linksom met de meegeleverde sleutel (13) en verwijder ze vervolgens.
- ◆ Verwijder de kettingkap (11).

- ◆ Schuif het klepje (5) naar de ontgrendelingspositie, open de handgrepen en trek de bovenkaak (1) naar achteren.
- ◆ Trek het kettingzwaard (3) naar achteren en haal vervolgens de zaagketting (14) uit de groef in de kettinggeleider. De zaagketting kan nu van het gereedschap worden verwijderd.
- ◆ Het kettingzwaard (3) kan achterover van de draaieinden worden getild.

### De zaagketting en het kettingzwaard monteren (fig. E & F)

- Waarschuwing!** Draag altijd handschoenen bij het verwijderen of monteren van de zaagketting. De ketting is scherp en kan u ook verwonden als deze niet draait.
- ◆ Plaats het gereedschap op een stevige ondergrond om de montage uit te voeren.
  - ◆ Schuif het klepje (5) naar de ontgrendelingspositie, open de handgrepen en trek de bovenkaak (1) naar achteren.
  - ◆ Plaats het kettingzwaard (3) in de uitsparing tussen de kettingspanner en plaats het op een lijn met de locator van het kettingzwaard. Laat het kettingzwaard (3) naar beneden 'vallen' todat het zwaard correct is geplaatst.
  - ◆ Plaats de zaagketting (14) om de voorkant van het kettingzwaard (3).
  - ◆ Trek het kettingzwaard (3) en de zaagketting (14) naar achteren, plaats de ketting in de groef in het kettingzwaard (3) en trek de ketting om het tandwiel (16), zodat de tanden van het tandwiel in de ketting aangrijpen.
  - ◆ Plaats de kettingkap (11) terug, breng de twee kettingbouten (12) aan en zet deze stevig vast.
  - ◆ Zorg ervoor dat de zaagketting (14) juist is geplaatst ten opzichte van de markeringsen op het gereedschap.

### Smeren (fig. G)

- ◆ Voor de ingebruikname en na elke tien minuten gebruik moet het gereedschap worden gesmeerd met de juiste kettingolie. (Cat.nr. A6027) Open de smeerpuntafdekking (4) en zet de tuit van het olieflesje tegen de smeeroening (15). Knijp vervolgens lichtjes in het olieflesje om olie aan te brengen.
- ◆ Dit is voldoende voor ongeveer tien minuten gebruik, afhankelijk van de zaagsnelheid en de houtsoort.

Via de smeeroening loopt de olie naar de zaagketting en het kettingzwaard (3). Als u te veel olie aanbrengt, zal deze ook op het gebied rond de kaken terechtkomen. Dit is normaal en niets om u zorgen over te maken.

## Gebruik

### De accu laden (fig. H)

**Waarschuwing!** Laat het gereedschap in zijn eigen tempo werken, vermijd overbelasting.

### Bezig met opladen

**Waarschuwing!** Laad de batterij niet op bij een omgevingstemperatuur van lager dan 10°C of hoger dan 40°C. De aanbevolen laadtemperatuur ligt rond de 24°C.

**Opmerking:** De lader functioneert niet als de temperatuur van de accu's onder 0°C en boven 60°C ligt.

- ◆ Laat de accu's in dat geval in de lader zitten. De lader wordt automatisch ingeschakeld wanneer de accu's de juiste temperatuur hebben.
- ◆ Steek de stekker van de lader (9) in een stopcontact.
- ◆ Plaats de accu (6) in de lader. Zorg ervoor dat de accu volledig in de lader (9) is geplaatst.
- ◆ De oplaadindicator (11) gaat langzaam knipperen.
- ◆ Als de oplaadindicator continu brandt, is de accu volledig opgeladen.
- ◆ U kunt de accu('s) voor onbepaalde tijd in de lader laten zitten wanneer de oplaadindicator brandt. De indicator gaat knipperen (oplaadstatus), omdat de accu's door de lader af en toe volledig worden opgeladen.
- ◆ De oplaadindicator blijft branden zolang de accu zich op de lader bevindt en de lader is aangesloten op het stopcontact.

Laad lege accu's binnen een week op. Als u accu's leeg bewaart, wordt de levensduur van de accu's aanzienlijk verminderd.

### Oplaadindicatoren

Als de lader een probleem ondervindt met de accu, gaat de oplaadindicator snel knipperen.

- ◆ In dat geval moet u de accu's (6) opnieuw plaatsen.
- ◆ Als het probleem blijft bestaan, plaatst u andere accu's in de lader om na te gaan of de lader goed functioneert.
- ◆ Als de nieuwe accu goed wordt geladen, is de oorspronkelijke accu defect. Breng de accu naar een servicecentrum voor recycling.
- ◆ Als de indicator ook bij de nieuwe accu snel knippert, moet u de lader laten testen bij een erkend servicecentrum.

**Opmerking:** Het kan soms een kwartier duren om na te gaan of de accu's goed functioneren.

Als de accu's te warm of te koud zijn, knippert de indicator afwisselend snel en langzaam.

### Voorbereiding

- ◆ Reinig het gereedschap regelmatig volgens de instructies in de paragraaf Onderhoud, met name de ruimte onder de kettingkap (11).

- ◆ De onderkaak (2) en bovenkaak (1) zijn ontworpen om te sluiten wanneer een van de handgrepen wordt losgelaten of nadat een tak is doorgezaagd. Als dit niet gebeurt, schakel het gereedschap dan onmiddellijk uit en haal de accu uit het gereedschap.
- ◆ Ga na of de beweging wordt verhinderd door zaagafval. Hiervoor kan het nodig zijn om de kettingkap (11) te verwijderen. Als het probleem zich na de montage nog steeds voordoet, breng het gereedschap dan naar een erkend servicecentrum.
- ◆ Zaag altijd van boven naar beneden. Hierdoor voorkomt u dat de zaagketting (14) in de zaagsnede beklemd raakt.
- ◆ Verwijder de takken zoals aangegeven in fig. J. Begin bij het uiteinde van de tak en zaag deze in kleine stappen tot op de gewenste lengte.
- ◆ Haal het gereedschap uit de zaagsnede terwijl het nog op volle snelheid draait.

## In- en uitschakelen

**Waarschuwing!** Probeer nooit om een aan/uit-schakelaar in de ingeschakelde stand vast te zetten.

Om veiligheidsredenen is dit gereedschap voorzien van een dubbel schakelaarsysteem. Hierdoor wordt onbedoeld inschakelen van het gereedschap voorkomen.

### Inschakelen (fig. I)

Zorg dat u de handvatten stevig vastheeft en knijp vervolgens beide schakelaars (5) in om het gereedschap in te schakelen.

### Uitschakelen (fig. I)

Laat een van beide schakelaars los.

**Opmerking:** Om het gereedschap in te schakelen moeten beide schakelaars worden ingedrukt.

Oefen geen druk uit op het gereedschap - laat het werk over aan de zaagketting. Het gereedschap werkt het effectiefst en het veiligst op de snelheid waarvoor het is ontworpen.

Bij een overmatige krachttutoefening wordt de zaagketting uitgerekt.

Als de zaagketting (14) of het zwaard (3) vast komt te zitten:

- ◆ Schakel het gereedschap uit.
- ◆ Verbreek de verbinding van de accu met het gereedschap.

Open de zaagsnede met een wig om de spanning op de kettinggeleider te verminderen. Probeer niet het gereedschap los te wrikken. Ga verder met een nieuwe zaagsnede.

### Takken snoeien (fig. J)

Verzeker u ervan dat er geen wetten of regels zijn die het snoeien van de takken verbieden.

- ◆ Zorg dat het gereedschap op volle snelheid draait alvorens een zaagsnede te maken.
- ◆ Houd het gereedschap stevig op zijn plaats om terugslaan of zijwaarts bewegen van het gereedschap te voorkomen.
- ◆ Oefen een lichte druk uit om het gereedschap te sturen.

## Onderhoud

Uw Black & Decker-gereedschap/apparaat (met netsnoer/snoerloos) is ontworpen om gedurende langere periode te functioneren met een minimum aan onderhoud. U kunt het gereedschap naar volle tevredenheid blijven gebruiken als u voor correct onderhoud zorgt en het gereedschap regelmatig schoonmaakt:

**Waarschuwing!** Doe altijd het volgende voordat u onderhouds- of reinigingswerkzaamheden aan het gereedschap (met snoer/snoerloos) uitvoert.

- ◆ Schakel het gereedschap/apparaat uit en trek de stekker uit het stopcontact.
- ◆ Als het gereedschap/apparaat een afzonderlijke accu heeft, schakelt u het gereedschap/apparaat uit en haalt u de accu eruit.
- ◆ Als de accu is ingebouwd, laat u deze volledig ontladen. Schakel dan het apparaat uit.
- ◆ Neem de lader uit het stopcontact voordat u deze schoonmaakt. Naast regelmatige reiniging vereist de lader geen onderhoud.

Reinig regelmatig de ventilatieopeningen van het gereedschap/apparaat/lader met een zachte borstel of droge doek.

Reinig de behuizing van de motor regelmatig met een vochtige doek. Gebruik geen schuur- of oplosmiddel.

Open regelmatig de spanknop en tik erop om eventueel stof uit het binnenste te verwijderen (indien van toepassing).

### Reinigen

- ◆ Verwijder regelmatig de kettingkap (1) om opgehoopt zaagafval te verwijderen.
- ◆ Reinig de ventilatieopeningen regelmatig met een schone, droge kwast.
- ◆ Reinig het gereedschap uitsluitend met een milde reinigingsoplossing en een vochtige doek. Voorkom dat vloeistof het gereedschap binnendringt en dompel nooit enig onderdeel van het gereedschap in vloeistof onder.

### Smeren

- ◆ Smeer het gereedschap regelmatig bij de smeerpunten (15) zoals aangegeven in fig. D.

## Vervoer

- ◆ Vervoer het gereedschap altijd met gesloten kaken en het klepje (5) in de vergrendelingspositie.

## Zaagketting slijpen

Voor optimale prestaties van het gereedschap moet u de tanden van de zaagketting scherp houden. Richtlijnen voor deze procedure vindt u op de verpakking van de slijper. Wij raden u aan de Black & Decker kettingslijpset A6039 aan te schaffen (verkrijgbaar bij servicecentra van Black & Decker en geselecteerde dealers).

## Versleten ketting vervangen

Reservekettingen zijn verkrijgbaar in de detailhandel of bij Black & Decker servicecentra. Gebruik alleen reserveonderdelen van Black & Decker.

## Scherpte van zaagketting

De zaagtanden worden direct bot als deze tijdens het zagen de grond of een spijker raken.

## Spanning van zaagketting

Controleer regelmatig de kettingspanning.

## Reparatie van de kettingzaag

Uw gereedschap voldoet aan de geldende veiligheidseisen. Reparaties mogen uitsluitend worden uitgevoerd door bevoegde vakmensen en met behulp van originele reserveonderdelen. Niet-naleving van deze regel kan aanzienlijke gevaren voor de gebruiker opleveren. Bewaar deze gebruiksaanwijzing op een veilige plaats.

## Opbergen

Veeg de metalen onderdelen af met een in olie gedrenkte doek als het gereedschap enkele maanden niet wordt gebruikt. Het is raadzaam de accu (6) verbonden te laten met de lader.

Ga als volgt te werk:

- ◆ Laad de accu (6) volledig op.
- ◆ Verwijder de accu (6) uit het gereedschap.
- ◆ Berg het gereedschap en de accu (6) op een veilige en droge plaats op. De temperatuur in de opbergruimte moet altijd tussen +5°C en +40°C liggen. Plaats de accu (6) op een vlakke ondergrond.
- ◆ Voordat u het gereedschap weer gebruikt na langdurige opslag, dient u de accu (6) opnieuw op te laden.

## Milieu



Aparte inzameling. Dit product mag niet met normaal huishoudelijk afval worden weggegooid.

Mocht u op een dag constateren dat het Black & Decker-product aan vervanging toe is of dat u het apparaat niet meer nodig hebt, gooi het product dan niet bij het restafval. Het product valt onder de categorie voor elektrische apparaten.



Gescheiden inzameling van gebruikte producten en verpakkingsmaterialen maakt het mogelijk materialen te recyclen en opnieuw te gebruiken. Hergebruik van gerecycleerde materialen zorgt voor minder milieuvervuiling en dringt de vraag naar grondstoffen terug.

Plaatselijke verordeningen kunnen voorzien in gescheiden inzameling van huishoudelijke elektrische producten via gemeentelijke stortplaatsen of via de leverancier bij wie u een nieuw product aanschaft.

Black & Decker biedt de mogelijkheid tot het recyclen van afgedankte Black & Decker-producten. Om gebruik te maken van deze service, dient u het product naar een van onze servicecentra te sturen, die de inzameling voor ons verzorgen.

U kunt het adres van het dichtstbijzijnde servicecentrum opvragen via de adressen op de achterzijde van deze handleiding. U kunt ook een lijst van onze servicecentra en meer informatie over onze klantenservice vinden op het volgende internetadres: [www.2helpU.com](http://www.2helpU.com).

## Accu's



Gooi afgedankte accu's op verantwoorde wijze weg:

- ◆ Voorkom dat de polen van de batterij worden kortgesloten.
- ◆ Werp batterijen niet in het vuur. Dit kan letsel of een explosie tot gevolg hebben.
- ◆ Ontlaad de batterij volledig en verwijder deze vervolgens uit het gereedschap.
- ◆ Batterijen kunnen worden gerecycled. Plaats de batterij(en) in een geschikte verpakking om te voorkomen dat de polen worden kortgesloten. Breng ze naar een servicecentrum of een inzamellocatie in uw woonplaats.

**Technische gegevens**

GKC1000L H1	
Spanning	Vdc 18
Kettingsnelheid (onbelast)	m/min 1,9
Maximale diameter voor zaagsnede	mm 100
Gewicht	kg 3,5

Accu A1518L	
Spanning	Vdc 18
Uitgangsstroom	A 3,7
Capaciteit	Ah 1,5
Accu	Type Li-Ion
Gewicht	kg 0,45

Lader 9053954*	
Ingangsspanning	Vac 230
Uitgangsspanning	Vdc 21
Uitgangsstroom	A 1,9
Oplaadtijd bij benadering 1,5 Ah-accu	uur 1
Gewicht	kg 0,5

Gegarandeerd geluidsrukniveau gemeten volgens 2000/14/EG:

$L_{pA}$  (geluidsdruk) 85 dB(A), meetonzekerheid (K) 3 dB(A)  
 $L_{WA}$  (geluidsvermogen) 96 dB(A), meetonzekerheid (K) 3 dB(A)  
 $L_{WA}$  (gegarandeerd) 97 dB(A)

Totale trillingwaarden (som triaxvector) volgens EN 60745:  
 Het zagen van onlangs geveld zachthout ( $a_h$ ) = 3,8 m/s<sup>2</sup>,  
 meetonzekerheid (K) = 1,5 m/s<sup>2</sup>

**EG-conformiteitsverklaring**

RICHTLIJN MACHINERIEËN  
 RICHTLIJN VOOR GELUID BUITENSHUIS



**GKC1000L**

Black & Decker verklaart dat de producten die worden beschreven onder "technische gegevens" in overeenstemming zijn met:

2006/42/EG  
 EN60745-1  
 2000/14/EG, Kettingzaag, bijlage VI

Geluidsrukniveau volgens 2000/14/EG

$L_{WA}$  (gemeten geluidsvermogen) dB 85  
 $L_{WA}$  (gegarandeerd geluidsvermogen) dB 97

Neem voor meer informatie contact op met Black & Decker op het volgende adres of raadpleeg de achterkant van de handleiding.

Ondergetekende is verantwoordelijk voor de compilatie van het technische bestand en doet deze verklaring namens Black & Decker.

Kevin Hewitt  
 Vice-President Global Engineering  
 Black & Decker Europe,  
 210 Bath Road, Slough,  
 Berkshire, SL1 3YD  
 Verenigd Koninkrijk  
 22-02-2010

Het ontwerp van de Alligator™ Lopper wordt beschermd door patenten in Europa, de Verenigde Staten en andere landen wereldwijd. ALLIGATOR is een handelsmerk van Black & Decker Corporation.



## Garantie

Black & Decker heeft vertrouwen in haar producten en biedt een uitstekende garantie. Deze garantiebepalingen vormen een aanvulling op uw wettelijke rechten en beperken deze niet. De garantie geldt in de lidstaten van de Europese Unie en de Europese Vrijhandelsassociatie.

Mocht uw Black & Decker product binnen 24 maanden na de datum van aankoop defect raken ten gevolge van materiaal- of constructiefouten, dan garanderen wij de kosteloze vervanging van defecte onderdelen, de reparatie van het product of de vervanging van het product, tenzij:

- ◆ Het product is gebruikt voor handelsdoeleinden, professionele toepassingen of verhuurdoeleinden;
- ◆ Het product onoordeelkundig is gebruikt;
- ◆ Het product is beschadigd door invloeden van buitenaf of door een ongeval;
- ◆ Reparaties zijn uitgevoerd door anderen dan onze servicecentra of Black & Decker-personeel.

Om een beroep te doen op de garantie, dient u een aankoopbewijs te overhandigen aan de verkoper of een van onze servicecentra. U kunt het adres van het dichtstbijzijnde servicecentrum opvragen via de adressen op de achterzijde van deze handleiding. U kunt ook een lijst van onze servicecentra en meer informatie m.b.t. onze klantenservice vinden op het volgende internetadres: **[www.2helpU.com](http://www.2helpU.com)**.

Meld u aan op onze website **[www.blackanddecker.nl](http://www.blackanddecker.nl)** om te worden geïnformeerd over nieuwe producten en speciale aanbiedingen. Verdere informatie over het merk Black & Decker en onze producten vindt u op **[www.blackanddecker.nl](http://www.blackanddecker.nl)**.

## Uso previsto

La podadora Black & Decker Alligator™ se ha diseñado para podar las ramas de árboles y cortar ramas caídas y troncos pequeños con diámetros comprendidos entre 25 y 100 mm mientras el operario se encuentra de pie en el suelo. Esta herramienta está pensada únicamente para uso doméstico.

## Instrucciones de seguridad

### Advertencias de seguridad generales para herramientas eléctricas



**¡Atención! Lea todas las advertencias e instrucciones de seguridad.** Si no se siguen las instrucciones de seguridad, pueden producirse descargas eléctricas, incendios o lesiones graves.

### Guarde todas las advertencias e instrucciones para consultarlas en el futuro.

El término "herramienta eléctrica" empleado en las advertencias indicadas a continuación hace referencia a la herramienta eléctrica con alimentación de red (con cable) o alimentada por batería (sin cable).

#### 1. Seguridad del área de trabajo

##### a. Mantenga limpia y bien iluminada el área de trabajo.

El desorden y una iluminación deficiente en las áreas de trabajo pueden provocar accidentes.

##### b. No utilice la herramienta eléctrica en un entorno con peligro de explosión, en el que se encuentren líquidos, gases o material en polvo inflamables.

Las herramientas eléctricas producen chispas que pueden llegar a inflamar los materiales en polvo o vapores.

##### c. Mantenga alejados a los niños y otras personas del área de trabajo al emplear la herramienta eléctrica.

Una distracción le puede hacer perder el control sobre la herramienta.

#### 2. Seguridad eléctrica

##### a. El enchufe de la herramienta eléctrica debe corresponder a la toma de corriente utilizada.

**No modifique el enchufe en forma alguna.**

**No emplee adaptadores en herramientas eléctricas dotadas con toma de tierra.** Los enchufes sin modificar adecuados a las respectivas tomas de corriente reducen el riesgo de una descarga eléctrica.

##### b. Evite que su cuerpo toque partes conectadas a tierra como tuberías, radiadores, cocinas y refrigeradores.

El riesgo a quedar expuesto a una descarga eléctrica es mayor si su cuerpo tiene contacto con tierra.

##### c. No exponga las herramientas eléctricas a la lluvia y evite que penetren líquidos en su interior.

Existe el peligro de recibir una descarga eléctrica si penetran ciertos líquidos en la herramienta eléctrica.

##### d. Cuide el cable de alimentación. No lo utilice para transportar o colgar la herramienta eléctrica, ni tire de él para sacar el enchufe de la toma de corriente.

**Manténgalo alejado del calor, aceite, bordes afilados o piezas móviles.** Los cables de red dañados o enredados incrementan el riesgo de descarga eléctrica.

##### e. Al trabajar con una herramienta eléctrica en el exterior utilice solamente cables de prolongación homologados para su uso en exteriores.

La utilización de un cable de prolongación adecuado para su uso en exteriores reduce el riesgo de descarga eléctrica.

##### f. Si la utilización de una herramienta eléctrica en un lugar húmedo es inevitable, utilice una fuente protegida con un dispositivo de corriente residual (RCD). La utilización de un RCD reduce el riesgo de sufrir descargas eléctricas.

#### 3. Seguridad personal

##### a. Esté atento a lo que hace y emplee la herramienta eléctrica con prudencia. No utilice la herramienta eléctrica si estuviese cansado, ni tampoco después de haber consumido alcohol, drogas o medicamentos.

El no estar atento durante el uso de una herramienta eléctrica puede provocar serias lesiones.

##### b. Utilice un equipo de protección personal. Utilice siempre gafas de protección.

El riesgo de lesionarse se reduce considerablemente si se utiliza un equipo de protección adecuado como una mascarilla antipolvo, zapatos de seguridad con suela antideslizante, casco o protectores auditivos.

##### c. Impida que la herramienta se ponga en marcha accidentalmente. Asegúrese de que el conmutador de encendido/apagado se encuentra en la posición de apagado antes de conectar la herramienta a la fuente de alimentación o a la batería, o de coger o transportar la herramienta.

Transportar la herramienta eléctrica con el dedo sobre el interruptor o enchufarla con el interruptor encendido puede provocar accidentes.

##### d. Retire las herramientas de ajuste o llaves fijas antes de conectar la herramienta eléctrica.

Una herramienta o llave colocada en una pieza giratoria de la herramienta eléctrica puede producir lesiones al ponerse a funcionar.

##### e. Sea precavido. Evite adoptar una posición que fatigue su cuerpo; mantenga un apoyo firme sobre el suelo y conserve el equilibrio en todo momento.

Ello le permitirá controlar mejor la herramienta eléctrica en caso de presentarse una situación inesperada.

- f. **Lleve puesta una vestimenta de trabajo adecuada. No lleve vestidos anchos ni joyas. Mantenga su pelo, vestimenta y guantes alejados de las piezas móviles.** La vestimenta suelta, las joyas y el pelo largo se pueden enganchar con las piezas en movimiento.
- g. **Siempre que sea posible utilizar unos equipos de aspiración o captación de polvo, asegúrese que éstos estén montados y que sean utilizados correctamente.** El empleo de estos equipos reduce los riesgos derivados del polvo.
4. **Uso y cuidado de herramientas eléctricas**
- a. **No sobrecargue la herramienta eléctrica. Use la herramienta eléctrica adecuada para cada aplicación.** Con la herramienta eléctrica adecuada podrá trabajar mejor y más seguro dentro del margen de potencia indicado.
- b. **No utilice herramientas eléctricas con un interruptor defectuoso.** Las herramientas eléctricas que no se puedan conectar o desconectar son peligrosas y deben hacerse reparar.
- c. **Desconecte de la herramienta eléctrica el enchufe de la fuente de alimentación y de la batería antes de realizar cualquier ajuste, cambiar accesorios o guardar la herramienta.** Esta medida preventiva reduce el riesgo de conectar accidentalmente la herramienta eléctrica.
- d. **Guarde las herramientas eléctricas fuera del alcance de los niños y de las personas que no estén familiarizadas con su uso.** Las herramientas eléctricas utilizadas por personas inexpertas son peligrosas.
- e. **Cuide sus herramientas eléctricas con esmero. Controle si funcionan correctamente, sin atascarse, las partes móviles de la herramienta eléctrica, y si existen partes rotas o deterioradas que pudieran afectar al funcionamiento de la herramienta. Si la herramienta eléctrica estuviese defectuosa haga que la reparen antes de volver a utilizarla.** Muchos accidentes se deben a herramientas eléctricas con un mantenimiento deficiente.
- f. **Mantenga las herramientas de corte limpias y afiladas.** Las herramientas de corte mantenidas correctamente se dejan guiar y controlar mejor.
- g. **Utilice la herramienta eléctrica, los accesorios, los útiles de la herramienta, etc. de acuerdo con estas instrucciones, y tenga en cuenta las condiciones de trabajo y la tarea a realizar.** El uso de herramientas eléctricas para trabajos diferentes de aquellos para los que han sido concebidas puede resultar peligroso.

5. **Uso y cuidado de la batería**
- a. **Recárguela sólo con el cargador especificado por el fabricante.** Un cargador adecuado para un tipo de batería podría suponer un riesgo de incendio si se utiliza con otra batería.
- b. **Utilice herramientas eléctricas solamente con las baterías recomendadas.** El uso de otras baterías puede suponer un riesgo de incendio y lesiones.
- c. **Cuando no se utilice la batería, manténgala alejada de objetos de metal, como clips de papel, monedas, llaves, clavos, tornillos y otros pequeños objetos metálicos, ya que pueden provocar una conexión entre terminales.** Si provoca un cortocircuito entre los terminales de la batería, puede ocasionar un incendio o sufrir quemaduras.
- d. **En condiciones extremas, es posible que la batería expulse líquido; evite el contacto. En caso de tocarlo accidentalmente, enjuáguese con agua. Si el líquido entra en contacto con los ojos, solicite asistencia médica.** El líquido que expulsa la batería puede producir irritación o quemaduras.
6. **Servicio técnico**

**Haga reparar su herramienta eléctrica sólo por personal técnico autorizado que emplee exclusivamente piezas de repuesto originales.** Solamente así se garantiza la seguridad de la herramienta eléctrica.

**Advertencias de seguridad adicionales para herramientas eléctricas**



**¡Atención!** Advertencias de seguridad adicionales para la podadora Alligator™.

**¡Atención!** No utilice nunca la herramienta por encima de la altura de los hombros. Colóquese siempre en una posición alejada de las ramas y los restos que caen.

**¡Atención!** No utilice esta herramienta para talar árboles.

- ◆ Mantenga siempre todas las partes de su cuerpo y la ropa alejadas de la cadena de la sierra. Sujete la herramienta delante de usted y preste atención a la posición de la cadena de la sierra, especialmente cuando corte ramas cerca del suelo. Antes de encender la herramienta, asegúrese de que la cadena de la sierra no esté en contacto con ningún objeto.
- ◆ Planifique de antemano una ruta de salida segura para evitar que le caigan encima ramas y restos. Compruebe que no haya obstáculos en la ruta de salida que puedan impedir o dificultar sus movimientos. Recuerde que la hierba mojada y las cortezas recién cortadas son resbaladizas.

- ◆ Tenga en cuenta la dirección en la que pueden caer las ramas. Considere todas las condiciones que puedan influir en la dirección de caída, incluidas las siguientes:
    - La dirección de caída prevista.
    - La inclinación natural de la rama.
    - Cualquier putrefacción o estructura de rama pesada y poco común.
    - Árboles circundantes y obstáculos como líneas de teléfono o de tendido eléctrico.
    - La velocidad y dirección del viento.
  - ◆ La distancia segura entre una rama o los restos que se van a talar y las personas, edificios y otros objetos es como mínimo 2,5 veces la longitud de la rama. Cualquier persona, edificio u objeto que se encuentre a una distancia menor corre el riesgo de recibir un golpe al caer la rama.
  - ◆ Cuando corte una rama sometida a tensión, tenga en cuenta el efecto de resorte. Cuando se libere la tensión de las fibras de madera, la rama podría golpear al operario y/o arrojar la herramienta fuera de su alcance.
  - ◆ Cuando maneje la herramienta, utilice siempre equipo de seguridad adecuado, como botas de seguridad con suelas antideslizantes, casco, gafas de seguridad, protección para los oídos y guantes.
  - ◆ Asegúrese de que haya otra persona cerca (a una distancia segura) en caso de accidente.
  - ◆ No intente manejar la herramienta mientras se encuentre subido a un árbol o una escalera de mano o sobre otro soporte inestable.
  - ◆ Mantenga un apoyo firme sobre el suelo y conserve el equilibrio en todo momento.
  - ◆ Sujete la herramienta firmemente con las dos manos mientras el motor esté en marcha.
  - ◆ Mantenga las asas secas, limpias y libres de aceite y grasa. Las asas con grasa o aceite son resbaladizas y pueden provocar la pérdida de control.
  - ◆ No permita que la cadena en movimiento entre en contacto con ningún objeto en la punta de la barra de guía.
  - ◆ Mantenga la cadena de la sierra suficientemente tensa. Compruebe la tensión a intervalos periódicos con el motor parado y el cable desconectado.
  - ◆ Empiece y siga cortando únicamente mientras la cadena gire a plena velocidad.
  - ◆ Permanezca atento a las ramas movedizas y a otras fuerzas que pudieran cerrar un corte o caer sobre la cadena.
  - ◆ Tenga sumo cuidado cuando reanude un corte iniciado anteriormente. Clave los dientes de la mordaza inferior en la madera y espere a que la cadena alcance la máxima velocidad antes de continuar con el corte.
- ◆ El uso de esta herramienta para realizar trabajos diferentes de aquéllos para los que está pensada puede resultar peligroso. Corte únicamente madera. No utilice esta herramienta para fines no previstos. Por ejemplo, no la use para cortar plástico, obras de mampostería y otros materiales de construcción que no sean madera.
  - ◆ Si quedan restos atrapados en el dispositivo protector o en la herramienta, deje de utilizarla, retire la batería y elimine los restos.
  - ◆ Las barras de guía y las cadenas desgastadas deben cambiarse.
  - ◆ Utilice únicamente barras y cadenas de repuesto especificadas por el fabricante.

### La seguridad de terceros

- ◆ Ninguna persona (incluyendo niños) con capacidades físicas, sensoriales o mentales disminuidas, o que carezca de experiencia y conocimientos, debe utilizar este aparato, salvo que haya recibido supervisión o formación con respecto al uso del aparato por parte de una persona responsable de su seguridad.
- ◆ Los niños deben vigilarse en todo momento para garantizar que el aparato no se toma como elemento de juego.

### Vibración

El valor de emisión de vibraciones declarado en el apartado de características técnicas y en la declaración de conformidad se ha calculado según un método de prueba estándar proporcionado por la norma EN 60745 y podrá utilizarse para comparar una herramienta con otra. El valor de emisión de vibraciones declarado también podrá utilizarse en una evaluación preliminar de la exposición.

**¡Atención!** El valor de emisión de vibraciones durante el funcionamiento real de la herramienta eléctrica puede diferir del valor declarado en función de cómo se utilice dicha herramienta. El nivel de las vibraciones puede aumentar por encima del nivel declarado.

Al evaluar la exposición a las vibraciones con el fin de determinar las medidas de seguridad que exige la norma 2002/44/CE para proteger a las personas que utilizan periódicamente herramientas eléctricas en sus puestos de trabajo, deberá tenerse en cuenta una estimación de la exposición a las vibraciones, las condiciones de uso reales y el modo de empleo de la herramienta, así como los pasos del ciclo operativo como, por ejemplo, el número de veces que la herramienta se apaga y se desconecta y el tiempo de activación.

## Etiquetas en las herramientas

En la herramienta aparecen los siguientes símbolos:



¡Atención! Para reducir el riesgo de lesiones, el usuario debe leer el manual de instrucciones.



Evitar que la sierra quede expuesta a la lluvia y que penetren líquidos en su interior.



Utilizar siempre protección para la cabeza, los oídos y los ojos.



Tener cuidado con los objetos que caen.  
Mantener alejadas a otras personas.



No utilizar en escaleras de mano.



Comprobar la tensión de la cadena al cabo de 10 minutos de uso. Ajustarla con un huelgo de 3 mm.



Lubricar la cadena al cabo de 10 minutos de uso.



Advertencia: no tocar la cadena en el punto de salida de las astillas.



Dirección de recorrido de la cadena.

## Riesgo residual

A pesar de la aplicación de las normas de seguridad oportunas y de la implementación de medidas de seguridad, existen determinados riesgos residuales inherentes al uso de sierras para madera que no se pueden evitar. Son los siguientes:

- ◆ Riesgo de lesiones como consecuencia del contacto con piezas móviles, afiladas y calientes; ramas o restos que caen sobre el operario y otras personas u objetos; y restos que salen despedidos de la herramienta.
- ◆ Riesgo de lesiones como consecuencia del uso para trabajos no previstos; caída de una escalera de mano o posición de trabajo en un árbol; daños causados al cable de alimentación; uso de la herramienta en lugares húmedos o peligrosos; uso del producto por parte de niños o personas débiles; incumplimiento de la recomendación de utilizar protección personal o prendas adecuadas; e inhalación del polvo generado por el corte de madera.

Los anteriores riesgos se han abordado mediante la inclusión de advertencias en las instrucciones de seguridad y/o la aplicación de marcas a la herramienta.

## Instrucciones de seguridad adicionales para baterías y cargadores

### Baterías

- ◆ No intente abrirlas bajo ningún concepto.
- ◆ No esponga la batería al agua.
- ◆ No esponga la batería al calor.
- ◆ No las almacene en lugares en los que la temperatura pueda superar los 40 °C.
- ◆ Realice la carga únicamente a una temperatura ambiente entre 10 °C y 40 °C.
- ◆ Utilice únicamente el cargador suministrado con el aparato o la herramienta para realizar la carga. Si se utiliza un cargador no adecuado, puede provocar una descarga eléctrica o el sobrecalentamiento de la batería.
- ◆ Para desechar las baterías, siga las instrucciones facilitadas en la sección "Protección del medio ambiente".
- ◆ No dañe ni deforme la batería mediante perforaciones o golpes, ya que puede suponer un riesgo de incendio y de lesiones.
- ◆ No cargue baterías dañadas.
- ◆ Es posible que se produzcan fugas en las baterías en condiciones extremas. Si observa líquido en las baterías, límpielo cuidadosamente con un paño. Evite el contacto con la piel.
- ◆ En caso de que se produzca contacto con la piel o los ojos, siga las instrucciones facilitadas a continuación.

**¡Atención!** El líquido de las baterías puede provocar lesiones personales o daños materiales. En caso de que se produzca contacto con la piel, lave la zona con agua inmediatamente. Si se produce enrojecimiento, dolor o irritación, solicite atención médica. En caso de contacto con los ojos, lave la zona inmediatamente con agua limpia y solicite atención médica.

### Cargadores

El cargador se ha diseñado para un voltaje específico. Cada vez que utilice el aparato, debe comprobar que el voltaje de la red eléctrica corresponde con el valor indicado en la placa de características.

**¡Atención!** No intente sustituir el cargador por un enchufe convencional para la red eléctrica.

- ◆ Para cargar la batería del aparato o herramienta, utilice únicamente el cargador Black & Decker suministrado. En caso de intentar cargar otras baterías, estas podrían explotar, lo que podría provocar lesiones y daños personales.

- ◆ Nunca intente cargar baterías no recargables.
- ◆ Si se dañara el cable de alimentación, deberá ser sustituido por el fabricante o por un centro de asistencia técnica autorizado de Black & Decker para evitar cualquier situación de riesgo.
- ◆ No exponga el cargador al agua.
- ◆ No abra el cargador.
- ◆ No aplique ningún dispositivo para medir la resistencia del cargador.
- ◆ El aparato, la herramienta o la batería debe colocarse en una zona bien ventilada durante la carga.

## Etiquetas del cargador

El cargador muestra los siguientes símbolos:



La base del cargador está provista de doble aislamiento, por lo que no requiere una toma de tierra. Compruebe siempre que la tensión de la red corresponda con el valor indicado en la placa de datos de la herramienta.



La base del cargador está pensada únicamente para utilizarla en espacios interiores.



**¡Atención!** Para reducir el riesgo de lesiones, el usuario debe leer el manual de instrucciones.

## Características

1. Mordaza superior
2. Mordaza inferior
3. Barra de guía de la cadena
4. Tapa de lubricación
5. Seguro
6. Batería
7. Interruptores ON/OFF (encendido/apagado)
8. Punto de salida de las astillas
9. Cargador

## Montaje

**¡Atención!** Antes de proceder al montaje, extraiga la batería (6) de la herramienta.

### Inserción y extracción de la batería (fig. A)

- ◆ Para insertar la batería (6), alinéela con el receptáculo de la herramienta. Deslice la batería (6) dentro del receptáculo y empujela hasta que encaje en su sitio.
- ◆ Para extraer la batería (6), pulse el botón de liberación (18) a la vez que tira de la batería (6) para extraerla del receptáculo.

### Colocación de la cubierta de la batería (fig. K)

**¡Atención!** Coloque la cubierta (17) en la batería (6) para transportarla y almacenarla.

### Apertura de las asas (fig. B)

- ◆ Para abrir las asas, deslice el seguro (5) hacia atrás y sepárelas.
- ◆ Después de utilizar la herramienta, cierre las asas y deslice el seguro (5) hacia adelante para ajustarlo en la posición de bloqueo. Las asas deben estar bloqueadas durante el transporte y almacenamiento de la herramienta.

### Ajuste de la tensión de la cadena (fig. C)

**¡Atención!** Antes de ajustar la tensión de la cadena o de realizar otros ajustes, asegúrese de que la herramienta está apagada y de que ha extraído la batería.

**¡Atención!** La barra guía de la cadena y la cadena de sierra pueden estar calientes después de utilizar la herramienta. Deje que se enfríen antes de realizar el ajuste.

El producto se suministra montado. Sin embargo, se recomienda comprobar la tensión de la cadena de sierra (14) y los pernos de retención de la tapa de acceso a la cadena antes de utilizar la herramienta y realizar ajustes en caso necesario.

### Comprobación y ajuste de la tensión de la cadena de sierra (fig. C)

Para tensar la cadena de sierra (14), afloje los dos pernos de retención de la cubierta de la cadena (12) con la llave (13) y el dispositivo tensor empujará la barra guía de la cadena (3) hacia fuera y ajustará la tensión adecuada. Vuelva a apretar firmemente los dos pernos de retención (12).

Tire suavemente de la cadena de sierra (14) para comprobar que se ha ajustado la tensión adecuada. La tensión es adecuada cuando la cadena de sierra vuelve a su posición inicial después de separarla 3 mm de la barra de guía. No debe haber "comba" alguna entre la barra guía de la cadena (3) y la cadena de sierra (14) en la parte inferior.

**Nota:** No tense demasiado la cadena de sierra, ya que provocará un desgaste excesivo y se reducirá la vida útil de la barra y de la cadena de sierra. También podría reducirse el rendimiento del producto.

**Nota:** Cuando utilice la herramienta por primera vez y cuando la cadena de sierra sea nueva, compruebe la tensión con frecuencia, ya que una cadena de sierra nueva se expande ligeramente.

### Cambio de la cadena de sierra y la barra guía de la cadena

Después de un uso prolongado, es posible que deba sustituir la cadena de sierra (14) y/o la barra guía de la cadena (3). Asegúrese de utilizar únicamente repuestos recomendados por Black & Decker.

### Extracción de la cadena de sierra y la barra guía de la cadena (figs. C y D)



Utilice siempre guantes de protección cuando instale o retire la cadena de la sierra (14). La cadena de la sierra está afilada y puede provocar cortes cuando la herramienta no está en funcionamiento.

**¡Atención!** La barra guía de la cadena y la cadena de sierra pueden estar calientes después de utilizar la herramienta. Antes de cambiarlas, deje que se enfríen.

- ◆ Pose la herramienta sobre una superficie sólida.
- ◆ Haga girar los dos pernos de retención (12) en sentido contrario a las agujas del reloj con la llave (13) suministrada y extraígalos por completo.
- ◆ Retire la tapa de acceso a la cadena (11).
- ◆ Deslice el seguro (5) hacia la posición de desbloqueo, abra las asas y tire hacia atrás de la mordaza superior (1).
- ◆ Tire hacia atrás de la barra guía de la cadena (3) y, a continuación, levante la cadena de sierra (14) para extraerla de la ranura de la barra guía. A continuación, podrá retirar la cadena de sierra de la unidad.
- ◆ En este punto, podrá inclinar la barra guía de la cadena (3) hacia arriba para extraerla.

### Montaje de la barra guía de la cadena y la cadena de sierra (figs. E y F)

**¡Atención!** Utilice siempre guantes de protección cuando instale o retire la cadena de la sierra. La cadena de la sierra está afilada y puede provocar cortes cuando la herramienta no está en funcionamiento.

- ◆ Asegúrese de realizar esta operación sobre una superficie sólida.
- ◆ Deslice el seguro (5) hacia la posición de desbloqueo, abra las asas y tire hacia atrás de la mordaza superior (1).
- ◆ Inserte la barra guía de la cadena (3) en el espacio existente entre el tensor de la cadena y alinéela con el localizador de la barra guía de la cadena. Incline la barra guía de la cadena (3) hacia abajo y asegúrese de que queda correctamente colocada.
- ◆ Coloque la cadena de sierra (14) alrededor de la parte delantera de la barra guía de la cadena (3).
- ◆ Tire hacia atrás de la barra guía de la cadena (3) y de la cadena de sierra (14), de manera que encaje en la ranura de la barra guía de la cadena (3) y, a continuación, por encima de la rueda dentada (16), procurando que los dientes queden colocados en la posición correcta de la rueda.

- ◆ Vuelva a colocar la tapa de acceso a la cadena (11) y los dos pernos de retención (11), y apriéte los firmemente.
- ◆ Asegúrese de que la cadena de sierra (14) queda colocada correctamente de acuerdo con las marcas de la herramienta.

### Lubricación (fig. G)

- ◆ Antes de utilizar la herramienta por primera vez y al cabo de diez minutos de uso, deberá lubricar el producto con el aceite para cadenas adecuado (n.º de catálogo A6027). Abra la tapa de lubricación (4) e inserte la botella en el orificio de llenado de aceite (15); aplique presión a la botella una vez para distribuir el aceite.
- ◆ Esto debería ser suficiente para 10 minutos de corte aproximadamente, en función de la velocidad de corte y el tipo de madera.

El orificio distribuye el aceite por la cadena de sierra hacia la barra guía de la cadena (3); si se aplica una cantidad excesiva de aceite a la unidad, goteará en la parte de la mordaza. Esto es normal y no debe ser motivo de preocupación.

### Uso

#### Carga de la batería (fig. H)

**¡Atención!** Deje que la herramienta funcione a su ritmo, no la sobrecargue.

#### Carga

**¡Atención!** No cargue la batería en temperaturas ambientales inferiores a 10°C ni superiores a 40°C. La temperatura de carga recomendada es de aproximadamente 24°C.

**Nota:** El cargador no cargará la batería si la temperatura de ésta es inferior a los 0°C o superior a los 60°C aproximadamente.

- ◆ Deje la batería en el cargador y éste empezará a cargar la batería automáticamente cuando su temperatura aumente o disminuya.
- ◆ Enchufe el cargador (9) y conéctelo a la red eléctrica.
- ◆ Inserte la batería (6) en el cargador. Asegúrese de que la batería queda perfectamente encajada en el cargador (9).
- ◆ El indicador de carga parpadeará continuamente.
- ◆ La carga habrá finalizado cuando el indicador de carga se ilumine de manera continua.
- ◆ El cargador y la batería pueden permanecer conectados durante un periodo de tiempo indefinido con el indicador LED iluminado. El indicador LED

parpadeará (estado de carga), ya que el cargador completa la carga de la batería ocasionalmente.

- ◆ El indicador de carga permanecerá encendido siempre que la batería esté conectada al cargador y este último permanezca enchufado.

Cargue las baterías descargadas en el plazo de 1 semana. La vida útil de la batería disminuirá considerablemente si ésta se almacena descargada.

## Indicadores de carga

Si el cargador detecta un problema en la batería, el indicador de carga parpadeará a gran velocidad.

- ◆ En este caso, vuelva a insertar la batería (6).
- ◆ Si el problema continúa, coloque otra batería en el cargador y compruebe que éste funciona correctamente.
- ◆ Si la nueva batería se carga correctamente, la batería original está defectuosa y debe devolverla al centro de servicio para su reciclado.
- ◆ Si el cargador muestra la misma indicación con la batería nueva, llévelo a un centro de servicio autorizado para que lo revisen.

**Nota:** Es posible que se empleen 15 minutos en determinar si el paquete es defectuoso.

Si la batería está demasiado fría o demasiado caliente, el indicador LED parpadeará rápida y lentamente, de manera alternativa, y se repetirá la secuencia.

## Preparación

- ◆ Lleve a cabo una limpieza periódica de la unidad de la manera descrita en la sección de mantenimiento y preste especial atención a la limpieza del interior de la tapa de acceso a la cadena (11).
- ◆ Las mordazas inferior (2) y superior (1) están diseñadas para cerrarse cuando se suelta una de las asas o una vez cortada la rama. Si no se cierran, deje de utilizar la herramienta y extraiga la batería de la herramienta.
- ◆ Compruebe si existen restos que impiden el movimiento. Para ello, tal vez deba retirar la tapa de acceso a la cadena (11). Si el problema persiste después del montaje, lleve la unidad a un centro de servicio autorizado.

## Encendido y apagado

**¡Atención!** No intente nunca trabar o fijar un interruptor de encendido/apagado en la posición de encendido.

Por razones de seguridad, esta herramienta está equipada con un sistema de dos interruptores. Este sistema impide que la herramienta pueda ponerse en marcha accidentalmente.

### Encendido (fig. I)

Sujete firmemente las asas y, a continuación, apriete ambos interruptores (5) para encender la unidad.

### Apagado (fig. I)

Suelte cualquiera de los interruptores.

**Nota:** Para poder utilizar la herramienta es necesario activar ambos interruptores.

No fuerce la herramienta; deje que haga el trabajo. Hará un trabajo mejor y más seguro a la velocidad para la que se ha diseñado. Si aplica una fuerza excesiva, se expandirá la cadena.

Si la cadena de sierra (14) o la barra guía (3) se atascan:

- ◆ Apague la herramienta.
- ◆ Desconecte la batería de la herramienta.

Abra el corte con cuñas para disminuir la presión sobre la barra de guía. No intente tirar de la sierra para sacarla del corte. Inicie un corte nuevo.

### Corte de ramas (fig. J)

Asegúrese de que no existen ordenanzas o normas municipales que prohíban o controlen el corte de ramas de árboles.

- ◆ Antes de efectuar un corte, asegúrese de que la herramienta está funcionando a plena velocidad.
- ◆ Sujete la herramienta firmemente para evitar que rebote o se mueva a un lado.
- ◆ Guíe la herramienta ejerciendo una ligera presión.
- ◆ Corte siempre hacia abajo. Así evitará que la cadena de sierra (14) quede atrapada.
- ◆ Corte las ramas como se muestra en la figura J. Empezando desde la punta de la rama, córtela en trozos pequeños.
- ◆ Retire la herramienta del corte mientras funciona a plena velocidad.



## Mantenimiento

Este aparato o herramienta con o sin cable de Black & Decker se ha diseñado para que funcione durante un largo período de tiempo con un mantenimiento mínimo. El funcionamiento satisfactorio continuado depende de un cuidado apropiado y una limpieza periódica de la herramienta.

**¡Atención!** Antes de realizar el mantenimiento de herramientas eléctricas con o sin cables:

- ◆ Apague y desenchufe el aparato o herramienta.
- ◆ O apague y extraiga la batería del aparato o herramienta si es que cuenta con una batería separada.
- ◆ O bien, deje que la batería se agote por completo si es integral y, a continuación, apague el aparato.
- ◆ Desenchufe el cargador antes de limpiarlo. El cargador no requiere ningún mantenimiento especial excepto la limpieza.

Limpie periódicamente las ranuras de ventilación de la herramienta, aparato o cargador con un cepillo suave o un paño seco.

Limpie periódicamente la carcasa del motor con un paño húmedo. No utilice limpiadores de base abrasiva o disolventes.

Abra regularmente el portabrocas y golpéelo suavemente para eliminar los restos de polvo que haya en su interior (si se encuentra colocado).

### Limpieza

- ◆ Retire periódicamente la tapa de acceso a la cadena (11) y elimine los restos acumulados.
- ◆ Limpie periódicamente las ranuras de ventilación con un cepillo limpio y seco.
- ◆ Para limpiar la herramienta, utilice únicamente jabón suave y un paño húmedo. Evite que penetre líquido en el interior de la herramienta y nunca sumerja ninguna parte de la misma en líquido.

### Lubricación

- ◆ Engrase periódicamente los puntos de lubricación (15) de la manera indicada en la figura D.

### Transporte

- ◆ Transporte siempre la herramienta con las mordazas cerradas y con el seguro (5) en la posición de bloqueo.

## Afilado de la cadena de sierra

Si desea conseguir el máximo rendimiento de la herramienta, es importante que mantenga los dientes de la cadena de sierra afilados. Las instrucciones de este procedimiento se encuentran en el paquete del afilador. Con este fin, se recomienda adquirir el kit de afilado de cadena de sierra de Black & Decker A6039 (disponible en los talleres de servicio y concesionarios seleccionados de Black & Decker).

## Cambio de las cadenas desgastadas

Las tiendas de minoristas y talleres de servicio de Black & Decker disponen de cadenas de repuesto. Utilice tan solo los accesorios originales.

## Afilado de la cadena de sierra

Los dientes de la cadena de sierra se mellarán inmediatamente si tocan el suelo o golpean un clavo durante la operación de corte.

## Tensión de la cadena de sierra

Compruebe periódicamente la tensión de la cadena.

## Qué hacer si la motosierra necesita reparación

La motosierra cumple con los requisitos de seguridad pertinentes. Las reparaciones deben llevarse a cabo por personal cualificado, usando piezas de recambio originales; en caso contrario, podría ocasionarse un considerable peligro al usuario. Le recomendamos guardar este manual en sitio seguro.

## Almacenamiento

Si la herramienta no se va a utilizar durante varios meses, limpie los componentes metálicos con aceite. Lo ideal es dejar la batería (6) conectada al cargador.

Realice el procedimiento siguiente:

- ◆ Cargue completamente la batería (6).
- ◆ Extraiga la batería (6) de la herramienta.
- ◆ Almacene la herramienta y la batería (6) en un lugar seguro y seco. La temperatura de almacenamiento siempre debe estar comprendida entre +5°C y +40°C. Coloque la batería (6) en una superficie nivelada.
- ◆ Antes de utilizar la herramienta después de un período de almacenamiento prolongado, vuelva a cargar completamente la batería (6).

## Protección del medio ambiente



Recogida selectiva. No se debe desechar este producto con el resto de residuos domésticos.

Si llegase el momento en que fuese necesario sustituir su producto Black & Decker o si éste dejase de tener utilidad para usted, no lo deseche junto con los residuos domésticos. Sepárelo para su recogida selectiva.



La recogida selectiva de productos y embalajes usados permite el reciclaje de materiales y su reutilización. La reutilización de materiales reciclados contribuye a evitar la contaminación medioambiental y reduce la demanda de materias primas.

Las normativas municipales deben ofrecer la recogida selectiva de productos eléctricos del hogar, en puntos municipales previstos para ello o a través del distribuidor en el caso en que se adquiera un nuevo producto.

Black & Decker proporciona facilidades para la recogida y reciclado de los productos Black & Decker que hayan llegado al final de su vida útil. Para poder utilizar este servicio, le rogamos entregue el producto a cualquier servicio técnico autorizado que se hará cargo de él en nuestro nombre.

Para consultar la dirección del servicio técnico más cercano póngase en contacto con la oficina local de Black & Decker en la dirección que se indica en este manual. Como alternativa, se puede consultar en Internet, en la dirección siguiente, la lista de servicios técnicos autorizados e información completa sobre nuestros servicios de posventa y contactos: [www.2helpU.com](http://www.2helpU.com).

### Baterías



Al final de su vida útil, deséchelas respetando el medio ambiente:

- ◆ Procure no provocar un cortocircuito entre los terminales de la batería.
- ◆ No arroje las baterías al fuego, ya que podría provocar daños personales o una explosión.
- ◆ Deje que la batería se agote por completo y, a continuación, extráigala de la herramienta.

- ◆ Las baterías son reciclables. Coloque las baterías en un embalaje adecuado de modo que los terminales no entren en contacto y provoquen un cortocircuito. Llévela al agente autorizado más cercano o a un centro de reciclaje local.

### Características técnicas

GKC1000L H1	
Voltaje	V de CC 18
Velocidad de la cadena (sin carga)	m/min 1,9
Diámetro de corte máximo	mm 100
Peso	kg 3,5

Batería A1518L	
Voltaje	V de cc 18
Corriente de salida	A 3,7
Capacidad	Ah 1,5
Batería	Tipo Li-Ion
Peso	kg 0,45

Cargador 9053954*	
Voltaje de entrada	V de CA 230
Voltaje de salida	V de CC 21
Corriente de salida	A 1,9
Tiempo de carga aproximado	
Batería de 1,5 Ah	h 1
Peso	kg 0,5

Nivel de presión sonora garantizado calculado según la directiva 2000/14/CE:

$L_{pA}$  (presión sonora) 85 dB (A), incertidumbre (K) 3 dB (A)  
 $L_{WA}$  (potencia sonora) 96 dB(A), incertidumbre (K) 3 dB(A)  
 $L_{WA}$  (garantizada) 97 dB (A)

Valores totales de vibración (suma vectorial triaxial) de acuerdo con la norma EN 60745:  
 corte de madera suave recién talada ( $a_h$ ) = 3,8 m/s<sup>2</sup>,  
 incertidumbre (K) = 1,5 m/s<sup>2</sup>

**Declaración de conformidad CE**  
 DIRECTIVA DE MAQUINARIAS  
 DIRECTIVA SOBRE LA EMISIÓN DE RUIDO  
 EN EXTERIORES



**GKC1000L**

Black & Decker afirma que los productos descritos en la sección "Características técnicas" cumplen con las normativas siguientes:

2006/42/CE

EN60745-1

2000/14/CE, Sierra de cadena, Anexo VI

Nível de pressão sonora de acordo com 2000/14/CE

$L_{WA}$ (potencia sonora medida)	dB	85
$L_{WA}$ (potencia sonora garantizada)	dB	97

Para más información, póngase en contacto con Black & Decker en la dirección siguiente o consulte el dorso de este manual.

La persona que firma a continuación es responsable de la recopilación del archivo técnico y realiza esta declaración en nombre de Black & Decker.

Kevin Hewitt  
 Vice-President Global Engineering  
 Black & Decker Europe,  
 210 Bath Road, Slough,  
 Berkshire, SL1 3YD  
 Reino Unido  
 22-02-2010

La podadera Alligator™ es objeto de solicitudes de patente y de diseño en Europa, Estados Unidos y otros países. ALLIGATOR es una marca comercial de Black & Decker Corporation.

**Garantía**

Black & Decker confía plenamente en la calidad de sus productos y ofrece una garantía extraordinaria. Esta declaración de garantía es un añadido, y en ningún caso un perjuicio para sus derechos legales. La garantía es válida dentro de los territorios de los Estados miembros de la Unión Europea y de los de la Zona Europea de Libre Comercio.

Si un producto Black & Decker resultara defectuoso debido a materiales o mano de obra defectuosos o a la falta de conformidad, Black & Decker garantiza, dentro de los 24 meses de la fecha de compra, la sustitución de las piezas defectuosas, la reparación de los productos sujetos a un desgaste y rotura razonables o la sustitución de tales productos para garantizar al cliente el mínimo de inconvenientes, a menos que:

- ◆ El producto se haya utilizado con propósitos comerciales, profesionales o de alquiler.
- ◆ El producto se haya sometido a un uso inadecuado o negligente.
- ◆ El producto haya sufrido daños causados por objetos o sustancias extrañas o accidentes.
- ◆ Se hayan realizado reparaciones por parte de personas que no sean del servicio técnico autorizado o personal de servicios de Black & Decker.

Para reclamar en garantía, será necesario que presente la prueba de compra al vendedor o al servicio técnico de reparaciones autorizado. Puede consultar la dirección de su servicio técnico más cercano poniéndose en contacto con la oficina local de Black & Decker en la dirección que se indica en este manual. Como alternativa, puede consultar en Internet la lista de servicios técnicos autorizados e información completa de nuestros servicios de posventa y contactos, en la dirección siguiente: **www.2helpU.com**.

Visite nuestro sitio web **www.blackanddecker.eu** para registrar su nuevo producto Black & Decker y mantenerse al día sobre nuestros productos y ofertas especiales. Encontrará información adicional sobre la marca Black & Decker y nuestra gama de productos en la página **www.blackanddecker.eu**.

## Utilização

A podadeira Black & Decker Alligator™ foi concebida para podar os ramos de árvores, cortar ramos caídos e cortar troncos pequenos com um diâmetro de 25 mm a 100 mm, quando o operador estiver em pé sobre o solo. Esta ferramenta destina-se apenas a utilização doméstica.

## Instruções de segurança

### Avisos de segurança gerais para ferramentas eléctricas



**Advertência! Leia com atenção todos os avisos de segurança e instruções.** O não cumprimento de todas as instruções pode resultar em choque eléctrico, incêndio e/ou graves lesões.

**Guarde todos os avisos e instruções para consulta futura.**

A expressão “ferramenta eléctrica” utilizada a seguir refere-se a ferramentas eléctricas com ligação à corrente eléctrica (com cabo) ou com bateria (sem fios).

### 1. Segurança na área de trabalho

#### a. Mantenha a área de trabalho limpa e bem iluminada.

Áreas desarrumadas e mal iluminadas são propícias a acidentes.

#### b. Não trabalhe com ferramentas eléctricas em áreas com risco de explosão, nas quais se encontrem líquidos, gases ou poeiras inflamáveis.

As ferramentas eléctricas produzem faíscas que podem provocar a ignição de poeiras ou vapores.

#### c. Mantenha crianças e outras pessoas afastadas durante a utilização da ferramenta eléctrica.

As distrações podem dar origem a que perca o controlo da ferramenta.

### 2. Segurança eléctrica

#### a. A ficha da ferramenta eléctrica deve caber na tomada. A ficha não deve ser modificada de modo algum. Não utilize quaisquer fichas adaptadoras com ferramentas eléctricas ligadas à terra. Fichas sem modificações e tomadas adequadas reduzem o risco de choques eléctricos.

#### b. Evite que o corpo entre em contacto com superfícies ligadas à terra, como tubos, radiadores, fogões e frigoríficos. Existe um maior risco de choque eléctrico se o seu corpo estiver ligado à terra.

#### c. As ferramentas eléctricas não podem ser expostas a chuva nem humidade. A penetração de água na ferramenta eléctrica aumenta o risco de choques eléctricos.

#### d. Manuseie o cabo com cuidado. O cabo não deve ser utilizado para transportar ou pendurar a ferramenta, nem para puxar a ficha da tomada. Mantenha o cabo afastado de calor, óleo, pontas afiadas ou partes móveis. Cabos danificados ou torcidos aumentam o risco de choques eléctricos.

#### e. Quando trabalhar com uma ferramenta eléctrica ao ar livre, utilize um cabo de extensão apropriado para esse fim. A utilização de um cabo apropriado para áreas ao ar livre reduz o risco de choques eléctricos.

#### f. Se for inevitável trabalhar com uma ferramenta eléctrica num local húmido, utilize um Dispositivo de Corrente Residual (RCD). A utilização de um RCD reduz o risco de choque eléctrico.

### 3. Segurança pessoal

#### a. Mantenha-se atento, observe o que está a fazer e seja prudente ao trabalhar com a ferramenta eléctrica. Não utilize uma ferramenta eléctrica se estiver cansado ou sob a influência de drogas, álcool ou medicamentos. Um momento de falta de atenção durante a utilização de ferramentas eléctricas poderá causar graves lesões.

#### b. Utilize equipamento de protecção pessoal. Use sempre óculos de protecção. Equipamento de protecção como, por exemplo, máscara anti-poeiras, sapatos de segurança anti-derrapantes, capacete de segurança ou protecção auricular, de acordo com o tipo e a aplicação de ferramenta eléctrica, reduz o risco de lesões.

#### c. Evite arranques involuntários. Certifique-se de que o botão está desligado antes de ligar a ferramenta à corrente eléctrica e/ou à bateria, pegando ou transportando a ferramenta. Transportar ferramentas eléctricas com o dedo no botão ou ligar ferramentas eléctricas à tomada com o interruptor na posição de ligado pode dar origem a acidentes.

#### d. Retire eventuais chaves de ajuste ou chaves de fendas, antes de ligar a ferramenta eléctrica. Uma chave de fendas ou chave de ajuste que se encontre numa peça rotativa da ferramenta eléctrica poderá causar lesões.

#### e. Não se incline. Mantenha-se sempre bem posicionado e em equilíbrio. Desta forma, será mais fácil controlar a ferramenta eléctrica em situações inesperadas.

#### f. Utilize vestuário adequado. Não utilize roupas largas nem jóias. Mantenha o cabelo, roupa e luvas afastados de peças em movimento. Roupas largas, jóias ou cabelos longos podem ficar presos nas peças em movimento.

#### g. Se for prevista a montagem de dispositivos de extracção e recolha de pó, assegure-se de que estão ligados e que são utilizados de forma correcta. A utilização destes dispositivos reduz os riscos relacionados com pó.

4. **Utilização e manutenção da ferramenta eléctrica**
- Não sobrecarregue a ferramenta eléctrica. Utilize a ferramenta eléctrica adequada para o trabalho pretendido.** A ferramenta eléctrica correcta realizará o trabalho de forma melhor e mais segura, com a potência com que foi concebida.
  - Não utilize a ferramenta eléctrica se o interruptor não puder ser ligado nem desligado.** Qualquer ferramenta eléctrica que não possa ser controlada com o interruptor é perigosa e terá de ser reparada.
  - Desligue a ficha da tomada e/ou a bateria da ferramenta eléctrica antes de proceder a ajustes, trocar acessórios ou guardar ferramentas eléctricas.** Estas medidas de prevenção de segurança reduzem o risco de ligação inadvertida da ferramenta eléctrica.
  - Mantenha as ferramentas eléctricas que não estiverem a ser utilizadas fora do alcance de crianças. Não permita que a ferramenta eléctrica seja utilizada por pessoas não familiarizadas com a mesma ou que não tenham lido estas instruções.** As ferramentas eléctrica são perigosas se utilizadas por pessoas não qualificadas.
  - Efectue a manutenção das ferramentas eléctricas. Verifique se as partes móveis estão desalinhadas ou bloqueadas, se existem peças partidas ou qualquer outra situação que possa afectar o funcionamento das ferramentas eléctricas. As peças danificadas devem ser reparadas antes da utilização da ferramenta eléctrica.** Muitos acidentes têm como causa uma manutenção insuficiente das ferramentas eléctricas.
  - Mantenha as ferramentas de corte sempre afiadas e limpas.** As ferramentas de corte com a manutenção adequada e as extremidades afiadas bloqueiam com menos frequência e são mais fáceis de controlar.
  - Utilize a ferramenta eléctrica, acessórios e peças de ferramenta de acordo com estas instruções, considerando as condições de trabalho e a tarefa a ser executada.** A utilização da ferramenta eléctrica para fins diferentes dos previstos pode resultar em situações perigosas.
5. **Utilização e manutenção da bateria**
- Carregue apenas com o carregador especificado pelo fabricante.** Um carregador adequado para um tipo de bateria pode dar origem a risco de incêndio quando utilizado com outro tipo de bateria.
  - Utilize ferramentas eléctricas apenas com baterias específicas.** A utilização de outras baterias pode dar origem a risco de danos e incêndio.

- Quando uma bateria não estiver a ser utilizada, mantenha-a afastada de outros objectos metálicos, como, por exemplo, clips, moedas, chaves, pregos, parafusos ou outros pequenos objectos metálicos que podem fazer ligação de um terminal a outro.** O curto-circuito de terminais de bateria pode causar queimaduras ou incêndio.
  - Sob condições exageradas, a bateria pode verter líquido – evitar contacto. Se ocorrer um contacto accidental, lave em abundância com água. Se o líquido entrar em contacto com os olhos, procure assistência médica.** O líquido vertido da bateria pode causar irritação ou queimaduras.
6. **Reparação**

**A ferramenta eléctrica deverá ser reparada por técnicos qualificados que utilizem apenas peças de substituição iguais.** Isto garantirá a manutenção da segurança da ferramenta eléctrica.

**Avisos de segurança adicionais para ferramentas eléctricas**



**Advertência!** Avisos de segurança adicionais para a podadeira Alligator™.

**Advertência!** Nunca utilize a ferramenta acima da altura dos ombros. Desvie-se sempre da trajectória de queda de ramos e detritos.

**Advertência!** Não utilize esta ferramenta para abater árvores.

- ◆ Mantenha todas as partes do corpo e vestuário sempre afastadas da corrente de serra. Segure a ferramenta à sua frente e esteja atento à posição da corrente de serra, em especial quando estiver a cortar ramos junto ao chão. Antes de a ligar, certifique-se de que a corrente de serra não está em contacto com nada.
- ◆ Planeie de antemão uma saída segura para se desviar dos ramos e detritos que caem. Certifique-se de que o caminho de saída não tem quaisquer obstáculos que possam impedir ou afectar o movimento. Lembre-se de que a relva molhada e as cascas de árvore cortadas recentemente podem ser escorregadias.
- ◆ Esteja atento à direcção possível de queda do ramo. Analise todos os elementos que possam afectar a direcção da queda, incluindo:
  - A direcção pretendida da queda.
  - A inclinação natural do ramo.
  - A existência de alguma estrutura ou apodrecimento de perna pesada.
  - As árvores e obstáculos envolventes, incluindo linhas aéreas.

- A velocidade e direcção do vento.
  - ◆ A distância de segurança entre um ramo a cortar e os seus detritos e as pessoas presentes, os edifícios e outros objectos corresponde, no mínimo, a 2 1/2x o comprimento do ramo. Todas as pessoas presentes, edifícios ou objectos que se encontrem dentro desta distância correm o risco de serem atingidos pela queda do ramo.
  - ◆ Quando estiver a cortar uma pernada sob tensão, esteja atento à recuperação elástica. Quando a tensão das fibras de madeira for libertada, a pernada sob tensão pode atingir o operador e/ou provocar o descontrolo da ferramenta.
  - ◆ Utilize sempre equipamento de segurança adequado, nomeadamente calçado de segurança antiderrapante, capacete de segurança, óculos de protecção, protecções auditivas e luvas quando estiver a utilizar a ferramenta.
  - ◆ Certifique-se de que tem alguém nas imediações (a uma distância segura) na eventualidade de ocorrer um acidente.
  - ◆ Não tente operar a ferramenta quando estiver em cima de uma árvore, escada ou de um apoio instável.
  - ◆ Mantenha-se sempre bem posicionado e equilibrado.
  - ◆ Segure bem a ferramenta com ambas as mãos quando o motor estiver ligado.
  - ◆ Mantenha as pegas secas, limpas e sem qualquer óleo ou gordura. As pegas com óleo são escorregadias, podendo provocar a perda de controlo.
  - ◆ Não deixe a corrente em movimento entrar em contacto com nenhum outro objecto na ponta da barra de orientação.
  - ◆ Mantenha a corrente de corte com a tensão adequada. Verifique a tensão regularmente, com o motor e o cabo desligados.
  - ◆ Comece e execute o corte apenas quando tiver a corrente a deslocar-se na velocidade máxima.
  - ◆ Preste atenção ao movimento dos ramos ou de outras forças que possam fechar um corte e exercer pressão ou cair na corrente.
  - ◆ Tenha muito cuidado quando retomar um corte anterior. Coloque as pontas de ferro da garra inferior junto à madeira e deixe que a corrente atinja a velocidade máxima antes de prosseguir com o corte.
  - ◆ A utilização desta ferramenta em operações diferentes daquelas para as quais foi concebida poderá originar situações perigosas. Corte apenas madeira. Não utilize esta ferramenta para fins não planeados - por exemplo - Não utilize a ferramenta para cortar plástico, pedra ou materiais de construção que não sejam de madeira.
  - ◆ Se alguns detritos ficarem presos na protecção ou ferramenta, interrompa a sua utilização, remova a bateria e limpe os detritos.
  - ◆ As correntes e barras de orientação de correntes gastas devem ser substituídas.
  - ◆ Utilize apenas as barras e correntes de substituição indicadas pelo fabricante.
- Segurança de terceiros**
- ◆ Este aparelho não deve ser utilizado por pessoas (incluindo crianças) que apresentem capacidades físicas, sensoriais ou mentais reduzidas ou que não possuam os conhecimentos e a experiência necessários, excepto se forem vigiadas e instruídas acerca da utilização do aparelho por uma pessoa responsável pela sua segurança.
  - ◆ As crianças deverão ser vigiadas para que não mexam no aparelho.
- Vibração**
- Os valores de emissão de vibração declarados na secção de dados técnicos e na declaração de conformidade foram medidos de acordo com o método de teste padrão fornecido pela EN 60745 e podem ser utilizados para comparar ferramentas. O valor de emissão de vibração declarado pode ainda ser utilizado numa avaliação preliminar de exposição.
- Advertência!** O valor de emissão de vibração durante a utilização actual da ferramenta eléctrica pode ser diferente do valor declarado, dependendo da forma como a ferramenta é utilizada. O nível de vibração pode aumentar acima do nível indicado.
- Quando avaliar a exposição da vibração para determinar as medidas de segurança exigidas pela 2002/44/CE para proteger pessoas que utilizem regularmente ferramentas eléctricas, deve ser considerada uma estimativa de exposição de vibração, as actuais condições de utilização e o modo como a ferramenta é utilizada, incluindo ainda todas as partes do ciclo de funcionamento, como os períodos de inactividade e espera da ferramenta, para além do tempo de funcionamento.

## Rótulos nas ferramentas

Os seguintes símbolos encontram-se na ferramenta:



**Advertência!** Para reduzir o risco de lesões, o utilizador deve ler o manual de instruções.



Não utilize a serra sob condições húmidas nem a exponha à chuva.



Utilize sempre protecções para a cabeça, ouvidos e olhos.



Esteja atento à queda de objectos.



Mantenha as outras pessoas afastadas.



Não utilize quando estiver numa escada.



Verifique a tensão da corrente após cada 10 minutos de utilização. Ajuste-a até obter uma folga de 3 mm.



Lubrifique a corrente após cada 10 minutos de utilização.



Não deve tocar na corrente no ponto de eliminação de lascas.



Direcção de deslocação da corrente.

## Risco residual

Apesar da aplicação das regulamentações de segurança relevantes e da implementação de medidas de segurança, existem alguns riscos residuais associados à utilização de serras de corte de madeira, que não podem ser evitados. Estes são:

- ◆ Risco de lesões provocadas pelo contacto com peças em movimento, peças afiadas, peças quentes, ramos ou detritos que caem sobre o operador, outras pessoas nas imediações ou na propriedade, bem como por detritos eliminados pela ferramenta.
- ◆ Risco de lesões provocadas por uma utilização não prevista, queda de uma escada ou de uma posição de trabalho numa árvore, danos no cabo de alimentação, utilização da ferramenta em locais húmidos ou perigosos, utilização do produto por crianças ou pessoas doentes, a não utilização de protecções ou vestuário adequado, a respiração de poeira provocada pelo corte de madeira.

Os riscos apresentados acima foram abordados através da inclusão de avisos nas instruções de segurança e/ou marcações aplicadas na ferramenta.

## Instruções de segurança adicionais para baterias e carregadores

### Baterias

- ◆ Nunca, por motivo algum, tente abrir as baterias.
- ◆ Não exponha a bateria à água.
- ◆ Não exponha a bateria ao calor.
- ◆ Não as armazene em locais onde a temperatura possa exceder os 40°C.
- ◆ Carregue apenas a temperaturas ambiente entre 10°C e 40°C.
- ◆ Carregue apenas com o carregador fornecido com o aparelho/ferramenta. Usar o carregador errado pode causar choques eléctricos ou o sobreaquecimento da bateria.
- ◆ Quando eliminar as baterias, siga as instruções da secção "Protecção do ambiente".
- ◆ Não danifique a bateria por perfuração ou impacto, pois poderá dar origem a riscos de danos e incêndio.
- ◆ Não carregue baterias danificadas.
- ◆ Em condições extremas, pode ocorrer uma fuga nas baterias. Se verificar a existência de líquido nas baterias, limpe cuidadosamente o líquido com um pano. Evite o contacto com a pele.
- ◆ Em caso de contacto com a pele ou com os olhos, siga as instruções seguintes.

**Advertência!** O fluido da bateria pode causar ferimentos pessoais ou danos materiais. Em caso de contacto com a pele, enxágue imediatamente com água. Em caso de vermelhidão, dor ou irritação, contacte um médico. Em caso de contacto com os olhos, enxágue imediatamente com água limpa e contacte um médico.

### Carregadores

O seu carregador foi concebido para uma voltagem específica. Verifique sempre se a voltagem de alimentação corresponde à voltagem da placa informativa.

**Advertência!** Nunca tente substituir a unidade do carregador por uma tomada normal de alimentação.

- ◆ Utilize o seu carregador Black & Decker apenas para carregar a bateria no aparelho/ferramenta respectivo. As outras baterias podem rebentar, provocando ferimentos e danos pessoais.
- ◆ Nunca tente carregar baterias não recarregáveis.
- ◆ Se o cabo de alimentação for danificado, terá de ser substituído pelo fabricante ou por um centro de assistência autorizado Black & Decker para evitar acidentes.
- ◆ Não exponha o carregador à água.
- ◆ Não abra o carregador.
- ◆ Não manipule o interior do carregador.

- ◆ A bateria do aparelho/ferramenta deve ser colocada numa área com boa ventilação durante o carregamento.

## Etiquetas no carregador

O carregador contém os seguintes símbolos de aviso:



A base de carga tem um isolamento duplo e, por isso, não é necessário um fio de terra. Verifique sempre se a fonte de alimentação corresponde à tensão indicada na placa de especificações.



Apenas deverá ser feita uma utilização interior da base de carga.



**Advertência!** Para reduzir o risco de lesões, o utilizador deve ler o manual de instruções.

## Funções

1. Garra superior
2. Garra inferior
3. Barra de orientação de corrente
4. Cobertura para lubrificação
5. Patilha
6. Pilha
7. Interruptores para ligar/desligar
8. Ponto de eliminação de lascas
9. Carregador

## Montagem

**Advertência!** Antes de montar, remova a bateria (6) da ferramenta.

### Colocar e remover a bateria (fig. A)

- ◆ Para colocar a bateria (6), alinha-a com o receptáculo na ferramenta. Faça deslizar a bateria (6) para dentro do receptáculo e puxe até que a bateria (6) se encaixe devidamente.
- ◆ Para remover a bateria (6), pressione o botão de desbloqueio (18) enquanto retira, ao mesmo tempo, a bateria (6) do receptáculo.

### Colocar a tampa da bateria (fig. K)

**Advertência!** Coloque a tampa (17) na bateria (6) para transportar e guardar.

### Abrir as pegas (fig. B)

- ◆ Para abrir as pegas, faça deslizar a patilha (5) para trás e afaste as pegas.
- ◆ Depois de utilizar a ferramenta, feche as pegas e faça deslizar a patilha (5) para a frente, para a posição de bloqueio. As pegas devem estar bloqueadas durante o transporte e armazenamento.

### Ajuste de tensão da corrente (fig. C)

**Advertência!** Antes de ajustar a tensão da corrente ou fazer qualquer outro ajuste, certifique-se de que a ferramenta está desligada e a bateria foi removida.

**Advertência!** A barra de orientação da corrente e a corrente de serra podem estar quentes depois de serem utilizadas. Deixe que arrefeçam antes de efectuar o ajuste.

O produto já vem montado. No entanto, recomendamos que verifique a tensão da corrente de serra (14) e os parafusos de retenção da cobertura de acesso à corrente antes de a utilizar e fazer os ajustes necessários.

### Verificar e ajustar a tensão da corrente de serra (fig. C)

Para definir a tensão da corrente de serra (14), desaparafuse ligeiramente os dois parafusos de retenção de cobertura da corrente (12) com a chave-inglesa (13) e o dispositivo de tensão da corrente irá empurrar a barra de orientação da corrente (3) para fora, estabelecendo a tensão correcta. Volte a apertar os dois parafusos de retenção (12) com firmeza.

Verifique se foi estabelecida a tensão correcta, puxando ligeiramente a corrente de serra (14). A tensão é correcta quando a corrente de serra volta à sua posição após ter sido puxada em 3 mm da barra de orientação. Não deverá restar qualquer "folga" entre a barra de direcção da corrente (3) e a correia da serra (14) no lado inferior.

**Nota:** Não aplique uma tensão excessiva na corrente de serra, pois isto pode provocar um desgaste excessivo e reduzir o tempo de duração da barra e da corrente. Também irá afectar o desempenho do produto.

**Nota:** Quando utilizar a ferramenta pela primeira vez e se a corrente de serra for nova, verifique frequentemente a tensão, pois uma corrente nova tem tendência a esticar ligeiramente.

### Substituir a corrente de serra e a barra de orientação da corrente

Após uma utilização prolongada da corrente de serra (14) e/ou a barra de orientação da corrente (3), pode ter de a(s) substituir. Certifique-se de que utiliza apenas peças de substituição recomendadas pela Black & Decker.



## Remover a corrente de serra e a barra de orientação da corrente (fig. C & D)



Utilize sempre luvas de protecção durante a instalação ou remoção da corrente de serra (14). A corrente de serra está afiada e pode cortá-lo quando não estiver a ser utilizada.

**Advertência!** A barra de orientação da corrente e a corrente de serra podem estar quentes depois de serem utilizadas. Deixe que arrefeçam antes de as substituir.

- ◆ Coloque a ferramenta numa superfície estável.
- ◆ Rode os dois parafusos de retenção (12) no sentido inverso ao dos ponteiros do relógio com a chave inglesa (13) incluída e retire-os totalmente.
- ◆ Retire a cobertura de acesso à corrente (11).
- ◆ Faça deslizar a patilha (5) para a posição de bloqueio, abra as pegas e puxe a garra superior para trás (1).
- ◆ Puxe a barra de orientação da corrente (3) e, em seguida, levante a corrente de serra (14) para fora do orifício na barra de orientação. A corrente de serra pode então ser retirada da unidade.
- ◆ A barra de orientação da corrente (3) pode então ser colocada num ângulo mais elevado e removida.

## Montar a barra de orientação da corrente e a corrente de serra (fig. E & F)

**Advertência!** Utilize sempre luvas de protecção durante a instalação ou remoção da corrente de corte. A corrente de corte está afiada e pode cortá-lo quando não estiver a ser utilizada.

- ◆ Certifique-se de que a operação é executada numa superfície estável.
- ◆ Faça deslizar a patilha (5) para a posição de bloqueio, abra as pegas e puxe a garra superior para trás (1).
- ◆ Introduza a barra de orientação da corrente (3) no espaço entre o tensor de corrente e alinhe-a com o localizador da barra de orientação da corrente, coloque a barra de orientação da corrente (3) num ângulo mais baixo, assegurando a sua localização correcta.
- ◆ Coloque a corrente de serra (14) à volta da parte dianteira da barra de orientação da corrente (3).
- ◆ Puxe a barra de orientação da corrente (3) e a corrente de serra (14) para trás, encaixando-a na ranhura da barra de orientação da corrente (3) e, em seguida, sobre a roda dentada (16), posicionando os dentes na posição correcta na roda dentada.
- ◆ Coloque a cobertura de acesso à corrente (11) e os dois parafusos de retenção (12) com firmeza.

- ◆ Certifique-se de que a corrente de serra (14) está colocada correctamente em relação às marcas na ferramenta.

## Lubrificação (fig. G)

- ◆ Antes de utilizar pela primeira vez e a cada dez minutos de utilização, deve lubrificar o produto com o óleo de corrente adequado. (N.º Cat. A6027) Abra a cobertura para lubrificação (4) e introduza o frasco no orifício de enchimento de óleo (15), exercendo alguma pressão no frasco para aplicar o óleo.
- ◆ Isto será suficiente para aproximadamente 10 minutos de corte, consoante a velocidade de corte e o tipo de madeira.

O orifício deixa passar o óleo através da corrente de serra até à barra de orientação da corrente (3) e se for aplicada uma quantidade excessiva de óleo na unidade, isso pode fazer com que o óleo verta da unidade em torno da zona da garra. Isto é normal e não representa um motivo de preocupação.

## Utilização

### Carregar a bateria (fig. H)

**Advertência!** Deixe a ferramenta funcionar à vontade; não a sobrecarregue.

### A carregar

**Advertência!** Não carregue a bateria a temperaturas ambiente inferiores a 10°C ou superiores a 40°C.

A temperatura de carregamento recomendada é aproximadamente de 24°C.

**Nota:** O carregador não irá carregar a bateria se a temperatura das células for inferior a 0°C ou superior a 60°C.

- ◆ Deixe a bateria no carregador para que este carregue automaticamente quando a temperatura das células aquecer ou arrefecer.
- ◆ Ligue o carregador (9) e ligue-o à corrente.
- ◆ Coloque a bateria (6) no carregador. Certifique-se de que a bateria está completamente introduzida no carregador (9).
- ◆ O indicador de carga (11) irá ficar em modo intermitente contínuo.
- ◆ O processo de carga estará completo quando o indicador de carga se acender de forma contínua
- ◆ O carregador e a bateria podem ser sempre deixados ligados com o LED aceso. O LED irá mudar para o estado intermitente (a carregar), à medida que o carregador ocasionalmente "preenche" a carga da bateria.

- ◆ O indicador de carga ficará aceso enquanto a bateria estiver fixa ao carregador ligado na tomada.

Carregue as pilhas descarregadas no espaço de 1 semana. A vida útil de uma bateria diminuirá muito se esta for guardada descarregada.

## Indicadores de carga

Se o carregador detectar um problema com uma bateria, o indicador de carga irá ficar em modo intermitente rápido.

- ◆ Se isto acontecer volte a inserir a bateria (6).
- ◆ Se o problema persistir, insira uma bateria diferente no carregador para determinar se este último está em boas condições.
- ◆ Se a nova bateria carregar correctamente, então a bateria original está defeituosa e deve ser entregue num centro de serviço para reciclagem.
- ◆ Se a bateria nova der a mesma indicação da bateria original leve o carregador até um centro de assistência autorizado para ser testado.

**Nota:** Pode demorar até quinze minutos a determinar que a bateria está defeituosa.

Se a bateria estiver demasiado quente ou fria, o LED irá ficar em modo intermitente rápido ou lento alternados, piscando uma vez a cada velocidade e repetindo-se.

## Preparação

- ◆ Limpe regularmente a unidade, tal como descrito na secção de manutenção e limpe, em particular, o interior da cobertura de acesso à corrente (11).
- ◆ A garra inferior (2) e a garra superior (1) foram concebidas para se fecharem quando uma das pegas for libertada ou após a conclusão do corte de um pedaço de ramo. Se isto não suceder, interrompa a utilização da ferramenta e remova a bateria da ferramenta.
- ◆ Verifique se existem alguns detritos a bloquear o movimento. Para facilitar este processo, pode ser necessário remover a cobertura de acesso à corrente (11). Se, após a montagem, o problema persistir, leve a unidade a um centro de assistência autorizado.

## Ligar e desligar (fig. P)

**Advertência!** Nunca tente bloquear ou fixar um interruptor de ligação na posição de ligado.

Para a sua segurança, esta ferramenta está equipada com um sistema de dois interruptores. Este sistema impede que a ferramenta seja ligada acidentalmente.

## Ligar (fig. I)

Segure as pegas com firmeza e pressione ambos os interruptores de ligação (5) para ligar a unidade.

## Desligar (fig. I)

Desligue um dos interruptores.

**Nota:** Deve ligar ambos os interruptores para poder utilizar o produto.

Não force a ferramenta - deixe que esta execute o trabalho. Irá fazer um trabalho melhor e mais seguro à velocidade para a qual a ferramenta foi concebida. Uma força excessiva irá esticar a corrente de serra.

Se a correia da serra (14) ou barra de orientação (3) ficar encravada:

- ◆ Desligue a ferramenta.
- ◆ Desligue a bateria da ferramenta.

Abra o corte com cunhas para aliviar a tensão na barra de orientação. Não tente libertar a serra à força. Inicie um novo corte.

## Podar ramos (fig. J)

Certifique-se de que não existem quaisquer leis ou regulamentações locais que impeçam ou regulem a poda de pernadas de árvores.

- ◆ Certifique-se de que a ferramenta está a funcionar à velocidade máxima antes de efectuar um corte.
- ◆ Segure a ferramenta com firmeza na posição de corte para evitar um eventual salto ou deslocamento lateral da ferramenta.
- ◆ Guie a ferramenta, aplicando uma ligeira pressão.
- ◆ Corte sempre de cima para baixo. Desta forma, não exerce pressão sobre a corrente de serra (14).
- ◆ Retire os ramos tal como indicado na Fig. J. Começando pela ponta do ramo, reduza o tamanho do ramo em passos lógicos, cortando secções pequenas.
- ◆ Retire a ferramenta do corte enquanto esta estiver a funcionar na velocidade máxima.

## Manutenção

O aparelho Black & Decker com cabo/sem fios foi concebido para funcionar por um longo período de tempo com uma manutenção mínima. Um funcionamento contínuo e satisfatório depende de uma manutenção adequada e da limpeza regular da ferramenta.

**Advertência!** Antes de proceder a qualquer acção de manutenção em ferramentas eléctricas com cabo/sem fios:

- ◆ Desligue e retire da tomada o aparelho/ferramenta.
- ◆ Desligue e remova a bateria do aparelho/ferramenta caso o aparelho/ferramenta tenha uma bateria individual.
- ◆ Deixe a bateria descarregar completamente se for integral e, em seguida, desligue-a.
- ◆ Desligue o carregador antes de o limpar. O seu carregador não necessita de manutenção para além da limpeza regular.

Limpe regularmente as aberturas de ventilação no aparelho/ferramenta/carregador com uma escova suave ou um pano seco.

Limpe regularmente o compartimento do motor com um pano húmido. Não utilize nenhum produto de limpeza abrasivo ou a base de solvente.

Abra o mandril regularmente e bata no mesmo para remover qualquer vestígio de pó do seu interior (quando colocado).

### Limpeza

- ◆ Retire regularmente a cobertura de acesso à corrente (11) e remova quaisquer detritos que possam ter ficado presos.
- ◆ Limpe regularmente os encaixes de ventilação com uma escova limpa e seca.
- ◆ Para limpar a ferramenta, utilize apenas sabão neutro e um pano húmido. Nunca deixe nenhum líquido entrar na ferramenta e nunca submerja nenhuma parte da ferramenta em líquido.

### Lubrificação

- ◆ Lubrifique regularmente os pontos de lubrificação (15) tal como indicado na figura D.

### Transporte

- ◆ Transporte sempre a ferramenta com as garras fechadas e a patilha (5) na posição de bloqueio.

### Afiar a correia

Se pretende obter os melhores resultados desta ferramenta, é importante manter os dentes da corrente da serra afiados. Pode encontrar orientação para este procedimento na embalagem do afiador. Para este fim, recomendamos a compra do kit de afiador da corrente de serra A6039 da Black & Decker (disponível nos representantes de assistência da Black & Decker e distribuidores aprovados).

### Substituir correias de serra gastas

Estão disponíveis correias de serra de substituição nos revendedores ou representantes da Black & Decker. Utilize sempre peças sobresselentes originais.

### Correia afiada

As lâminas da correia da serra ficarão imediatamente rombas se tocarem no solo ou num prego durante o corte.

### Tensão da correia

Verifique regularmente a tensão da correia da serra.

### O que fazer se a sua electroserra necessitar de reparação.

A sua ferramenta cumpre com os requisitos de segurança aplicáveis. As reparações devem ser realizadas por uma pessoa qualificada utilizando peças sobresselentes originais. Caso contrário, tal poderá resultar em perigos consideráveis para o utilizador. Recomendamos que mantenha o manual do utilizador em local seguro.

### Armazenamento

Quando não for utilizar a ferramenta durante vários meses, lubrifique todos os componentes metálicos. O procedimento ideal seria deixar a bateria (6) ligada ao carregador.

Proceda da seguinte forma:

- ◆ Carregue completamente a bateria (6).
- ◆ Remova a bateria (6) da ferramenta.
- ◆ Guarde a ferramenta e a bateria (6) num local seguro e seco. A temperatura de armazenamento deve situar-se sempre entre +5°C e +40°C. Coloque a bateria (6) num local nivelado.
- ◆ Antes de utilizar a ferramenta após um tempo de inactividade prolongado, carregue totalmente a bateria (6) de novo.

### Protecção do ambiente



Recolha separada. Este produto não pode ser eliminado juntamente com os resíduos domésticos normais.

Se, em algum momento, verificar que o seu produto Black & Decker precisa de ser substituído ou que deixou de ter utilidade, não o elimine junto com os resíduos domésticos. Coloque-o disponível para uma recolha separada.



A recolha separada de produtos e embalagens usados permite que os materiais sejam reciclados e novamente utilizados. A reutilização de materiais reciclados ajuda a evitar a poluição ambiental e reduz a procura de matérias-primas.

A legislação local poderá prever a recolha separada de produtos domésticos eléctricos, seja em lixeiras municipais ou através do revendedor quando adquire um produto novo.

A Black & Decker dispõe de instalações para recolha e reciclagem de produtos Black & Decker quando estes atingem o fim da sua vida útil. Para usufruir deste serviço, devolva o produto em qualquer agente de reparação autorizado, que os recolherá em seu nome.

Pode verificar a localização do agente de reparação autorizado mais perto de si, contactando os escritórios locais da Black & Decker através do endereço indicado neste manual. Se preferir, pode encontrar na Internet uma lista de agentes de reparação autorizados Black & Decker, detalhes completos e contactos do serviço pós-venda, no endereço: [www.2helpU.com](http://www.2helpU.com).

## Pilhas



Quando as baterias chegarem ao fim da sua vida útil, elimine-as de forma segura para o ambiente::

- ◆ Não coloque os terminais da bateria em curto-circuito.
- ◆ Não elimine as baterias queimando-as, existe risco de ferimentos pessoais ou uma explosão.
- ◆ Deixe a bateria descarregar completamente e, em seguida, remova-a da ferramenta.
- ◆ As baterias são recicláveis. Coloque as baterias numa embalagem adequada, certificando-se de que os terminais não entram em curto-circuito. Leve as baterias ao seu agente de manutenção autorizado ou a uma estação de reciclagem local.

## Dados técnicos

GKC1000L H1	
Tensão	Vcc 18
Velocidade da corrente (sem carga)	m/min 1,9
Diâmetro máximo de corte	mm 100
Peso	kg 3,5

A1518L	
Tensão	Vcc 18
Corrente de saída	A 3,7
Capacidade	Ah 1,5
Bateria	Tipo Li-Ion
Peso	kg 0,45

9053954*	
Voltagem de entrada	Vca 230
Voltagem de saída	Vcc 21
Corrente de saída	A 1,9
Tempo de carga aproximado	
Bateria Ah 1,5	h 1
Peso	kg 0,5

Nível de pressão sonora garantido, medido de acordo com 2000/14/CE:

$L_{pA}$  (pressão sonora) 85 dB(A), imprecisão (K) 3 dB(A)

$L_{WA}$  (potência sonora) 96 dB(A), imprecisão (K) 3 dB(A)

$L_{WA}$  (garantido) 97 dB(A)

Valores totais de vibração (soma vectores triax) de acordo com EN 60745:

Cortar madeira de resinosas derrubada recentemente ( $a_h$ ) = 3,8 m/s<sup>2</sup>, imprecisão (K) = 1,5 m/s<sup>2</sup>

## Declaração de conformidade CE

DIRECTIVA MÁQUINAS  
DIRECTIVA DE RUÍDO AMBIENTE



**GKC1000L**

A Black & Decker declara que estes produtos descritos em "dados técnicos" estão em conformidade com:

2006/42/CE

EN 60745-1

2000/14/CE, Serra de Corrente, Anexo VI

Nível de potência sonora de acordo com 2000/14/CE

$L_{WA}$  (potência sonora medida)      dB      85

$L_{WA}$  (potência sonora garantida)      dB      97

Para obter mais informações, contacte a Black & Decker no endereço indicado ou consulte a parte posterior do manual.

O signatário é responsável pela compilação do ficheiro técnico e efectua esta declaração em nome da Black & Decker.

Kevin Hewitt

Vice-President Global Engineering

Black & Decker Europe,

210 Bath Road, Slough,

Berkshire, SL1 3YD

Reino Unido

22-02-2010

A podadeira Alligator™ está sujeita a aplicações de patentes e design na Europa, nos Estados Unidos e noutros países em todo o mundo. ALLIGATOR é uma marca comercial da Black & Decker Corporation.

## Garantia

A Black & Decker confia na qualidade dos seus produtos e oferece uma garantia excelente. Esta declaração de garantia é um complemento dos seus direitos estabelecidos por lei, não os prejudicando de forma alguma. A garantia é válida nos territórios dos Estados Membros da União Europeia e da Associação Europeia de Comércio Livre.

Se um produto Black & Decker se avariar devido a defeitos de material, fabrico ou não conformidade, num período de 24 meses após a data da compra, a Black & Decker garante a substituição das peças defeituosas, a reparação de produtos sujeitos a um desgaste aceitável ou a substituição dos mesmos para garantir o mínimo de inconvenientes ao cliente, excepto se:

- ◆ O produto tiver sido utilizado para fins comerciais, profissionais ou de aluguer.
- ◆ O produto tiver sido submetido a utilização indevida ou descuido.
- ◆ O produto tiver sido danificado por objectos estranhos, substâncias ou acidentes.
- ◆ Tiverem sido tentadas reparações por pessoas que não sejam agentes de reparação autorizados ou técnicos de manutenção da Black & Decker.

Para accionar a garantia, terá de apresentar comprovativos de compra ao vendedor ou a um agente de reparação autorizado. Pode verificar a localização do agente de reparação autorizado mais perto de si, contactando os escritórios locais da Black & Decker através do endereço indicado neste manual. Se preferir, pode encontrar na Internet uma lista de agentes de reparação autorizados Black & Decker, detalhes completos e contactos do serviço pós-venda, no endereço: [www.2helpU.com](http://www.2helpU.com).

Visite o nosso website [www.blackanddecker.eu](http://www.blackanddecker.eu) para registar o novo produto Black & Decker e manter-se actualizado relativamente a novos produtos e ofertas especiais. Pode encontrar mais informações sobre a marca Black & Decker e a nossa gama de produtos em [www.blackanddecker.eu](http://www.blackanddecker.eu).

## Användningsområde

Din Black & Decker Alligator™ Lopper har konstruerats för arbete som användaren utför stående på marken, exempelvis kvistning, kapning av nedfallna grenar och grenar som är 25 till 100 mm i diameter. Sågen är endast avsedd som konsumentredskap.

## Säkerhetsinstruktioner

### Allmänna säkerhetsanvisningar för elverktyg



**Varning! Läs alla säkerhetsföreskrifter och alla anvisningar.** Om anvisningarna nedan inte följs kan det orsaka elektriska stötar, brand och/eller allvarliga kroppsskador.

### Spara alla säkerhetsföreskrifter och anvisningar för framtida bruk.

Nedan använt begrepp "Elverktyg" hänför sig till nätdrivna elverktyg (med nätsladd) och till batteridrivna elverktyg (sladdlösa).

1. **Säkerhet i arbetsområdet**
  - a. **Håll arbetsplatsen ren och välbelyst.** Oordning på arbetsplatsen och dåligt belyst arbetsområde kan leda till olyckor.
  - b. **Använd inte elverktyget i explosionsfarlig omgivning med brännbara vätskor, gaser eller damm.** Elverktygen alstrar gnistor som kan antända dammet eller gaserna.
  - c. **Håll under arbetet med elverktyget barn och andra personer på betryggande avstånd.** Om du blir störd kan du förlora kontrollen över elverktyget.
2. **Elektrisk säkerhet**
  - a. **Elverktygets stickkontakt måste passa till eluttaget. Stickkontakten får absolut inte ändras. Använd inte adapterkontakter tillsammans med jordade elverktyg.** Med oförändrade stickkontakter och passande vägguttag minskas risken för elstötar.
  - b. **Undvik kroppskontakt med jordade ytor som t.ex. rör, värmelement, spisar och kylskåp.** Risken för elektriska stötar ökar om din kropp är jordad.
  - c. **Skydda elverktyget mot regn och väta.** Om vatten tränger in i ett elverktyg ökar risken för elektriska stötar.
  - d. **Hantera nätsladden varsamt. Använd inte sladden för att bära eller dra elverktyget och inte heller för att dra ut verktyget ur vägguttaget. Håll nätsladden borta från värme, olja, skarpa kanter och rörliga maskindelar.** Risken att du får en elstöt är större om sladdarna är skadade eller tilltrasslade.
3. **Personlig säkerhet**
  - a. **Var uppmärksam, se på vad du gör och använd elverktyget med förnuft. Använd inte elverktyget när du är trött eller om du är påverkad av droger, alkohol eller mediciner.** Under användning av elverktyg kan även en kort uppmärksamhet leda till allvarliga kroppsskador.
  - b. **Använd skyddsutrustning. Bär alltid skyddsglasögon.** Den personliga skyddsutrustningen, t.ex. dammfiltermask, halkfria säkerhetsskor, hjälm och hörselskydd, reducerar risken för kroppsskada när den används vid rätt tillfällen.
  - c. **Undvik oavsiktlig igångsättning. Kontrollera att strömbrytaren står i avstängt läge innan du ansluter verktyget till elnätet eller sätter i batteriet, samt innan du tar upp eller bär verktyget.** Det kan vara mycket farligt att bära ett elverktyg med fingret på strömbrytaren eller koppla det till nätet respektive sätta i batteriet med strömbrytaren i till-läge.
  - d. **Ta bort alla inställningsverktyg och skruvnycklar innan du startar elverktyget.** Ett verktyg eller en nyckel i en roterande komponent kan orsaka kroppsskada.
  - e. **Sträck dig inte för långt. Se till att du alltid har säkert fotfäste och balans.** Därmed har du bättre kontroll över elverktyget i oväntade situationer.
  - f. **Bär lämpliga kläder. Bär inte löst hängande kläder eller smycken. Håll undan hår, kläder och handskar från rörliga delar.** Löst hängande kläder, smycken och långt hår kan fastna i roterande delar.
  - g. **Om elverktyget har dammsugnings- och - uppsamlingsutrustning, kontrollera att anordningarna är rätt monterade och används på korrekt sätt.** Dessa anordningar reducerar riskerna förenade med damm.
4. **Bruk och skötsel av elverktyg**
  - a. **Överbelasta inte elverktyget. Använd rätt elverktyg för det aktuella arbetet.** Med rätt elverktyg kan du arbeta bättre och säkrare med det som verktyget är avsett för.
- e. **Använd endast förlängningssladdar som är godkända för utomhusbruk när du arbetar med elverktyg utomhus.** Om du använder en förlängningssladd som är avsedd för utomhusbruk minskar risken för att du ska få en elstöt.
- f. **Om du måste använda ett elverktyg på en fuktig plats ska du använda jordfelsbrytare.** Jordfelsbrytaren minskar risken för stötar/elchock.

- b. **Använd inte elverktyget om det inte går att starta och stänga av det med strömbrytaren.** Ett elverktyg som inte kan startas och stängas av med strömbrytaren är farligt och måste repareras.
- c. **Dra stickproppen ur vägguttaget och/eller ta ur batteriet ur elverktyget innan inställningar utförs, tillbehörsdelar byts ut eller elverktyget ställs undan.** Denna skyddsåtgärd förhindrar oavsiktlig inkoppling av elverktyget.
- d. **Förvara elverktygen utom räckhåll för barn. Låt inte elverktyget användas av personer som inte är vana vid det, eller som inte läst denna bruksanvisning.** Elverktyg är farliga om de används av ovana personer.
- e. **Sköt elverktyget omsorgsfullt. Kontrollera att rörliga komponenter fungerar felfritt och inte kärvar, att komponenter inte brustit eller skadats och inget annat föreligger som kan påverka elverktygets funktioner. Om elverktyget är skadat, se till att få det reparerat innan det används.** Många olyckor orsakas av dåligt skötta elverktyg.
- f. **Håll skärverktyg vassa och rena.** Omsorgsfullt skötta skärverktyg med skarpa eggar fastnar inte så lätt och är lättare att hantera.
- g. **Använd elverktyget, tillbehör, insatsverktyg osv. enligt dessa anvisningar och på sätt som föreskrivits för aktuell verktygsmodell. Ta hänsyn till arbetsvillkoren och arbetsmomenten.** Används elverktyget på icke ändamålsenligt sätt kan farliga situationer uppstå.
5. **Användning och skötsel av elverktyg**
- a. **Använd endast den laddare som rekommenderas av tillverkaren.** En laddare som passar till en viss sorts batteri kan orsaka eldsvåda om den används med en annan sort.
- b. **Använd endast elverktyget med batterier som är speciellt avsedda för ändamålet.** Användning av andra batterier kan leda till personskador eller eldsvåda.
- c. **När batteriet inte används ska du hålla det åtskilt från metallföremål som gem, mynt, nycklar, spik, skruvar och andra små metallföremål som kan orsaka kortslutning mellan batteriets poler.** Kortslutning av batteripolerna kan leda till brännskador eller eldsvåda.
- d. **Om batteriet hanteras ovarsamt kan det tränga ut vätska från batteriet; undvik kontakt med vätskan. Om du ändå råkar komma i kontakt med vätskan ska du skölja med vatten. Uppsök läkare om du får vätskan i ögonen.** Batterivätska kan orsaka irritation eller brännskador.

## 6. Service

### Låt endast kvalificerad fackpersonal reparera elverktyget och använd endast originalreservdelar.

Detta garanterar att elverktyget förblir säkert.

### Ytterligare säkerhetsanvisningar för elverktyg



**Varning!** Ytterligare säkerhetsvarningar för Alligator™ Lopper

**Varning!** Använd aldrig sågen över axelhöjd. Stå alltid själv så att du inte träffas av fallande grenar och skräp.

**Varning!** Använd inte den här sågen för att fälla träd.

- ◆ Håll alltid hela kroppen och alla kläder ur vägen för sågkedjan. Håll sågen framför dig och ge noga akt på sågkedjans läge särskilt när du kapar grenar nära marken. Se till att sågkedjan inte ligger an mot något när du startar.
- ◆ Förbered säker väg bort från fallande grenar och skräp. Se till att vägen är fri från hinder som kan begränsa dina rörelser. Tänk på att vått gräs och nyskalad bark är halt.
- ◆ Var medveten om i vilken riktning grenar kan falla. Överväg alla förhållanden som kan påverka fallriktningen, bland annat:
  - Den tänkta fallriktningen.
  - Grenens naturliga lutning.
  - Alla ovanligt kraftiga eller murkna grenar.
  - Kringstående träd och hinder, bland annat luftledning.
  - Vindhastighet och -riktning.
- ◆ Säkerhetsavståndet mellan grenar och skräp som faller ned och personer som står nära, byggnader och andra föremål är minst 2 1/2 gånger längden på grenen. Alla personer, byggnader och föremål inom detta avstånd löper risk att träffas av den fallande grenen.
- ◆ Var uppmärksam på att en spänd gren som sägas av kan svänga tillbaka. När spänningen i träfibrenna upphör kan den spända grenen träffa den som sågar och/eller slå sågen ur händerna.
- ◆ Bär alltid lämplig skyddsutrustning, till exempel halksäkra säkerhetsskor, skyddshjälm, skyddsglasögon, hörselskydd och handskar, när du använder sågen.
- ◆ Se till att det finns någon i närheten (på säkert avstånd) ifall det händer en olycka.
- ◆ Använd inte sågen uppe i ett träd, när du står på en stege eller på något annat ostadigt underlag.
- ◆ Se till att du alltid har bra fötteste och säker balans.
- ◆ Håll sågen stadigt med båda händerna när motorn är i gång.

- ◆ Håll handtagen torra, rena och fria från olja och fett. Oljiga handtag är hala och gör sågen okontrollerbar.
- ◆ Låt inte den löpande kedjan komma emot något föremål vid spetsen av svärdet.
- ◆ Håll kedjan korrekt spänd. Kontrollera spänningen regelbundet med motorn avstängd och sladden utdragen.
- ◆ Börja och fortsätt såga bara när kedjan går med full fart.
- ◆ Se upp för korsande grenar eller annat som kan stoppa sågningen och nypa fast eller falla ned på kedjan.
- ◆ Var ytterst försiktig när du fortsätter en tidigare påbörjad sågning. Använd taggarna på sågens underkäke vid sågning i trä och låt kedjan få full fart innan du fortsätter att såga.
- ◆ Användning av sågen för andra än avsedda ändamål kan leda till riskfyllda situationer. Såga endast i trä. Använd inte sågen för sådant som den inte är avsedd för, till exempel sågning i plast, murverk eller byggnadsmaterial som inte är av trä.
- ◆ Om något skräp fastnar på skyddet eller själva verktyget ska du stanna verktyget, ta ur batteriet och ta bort skräpet.
- ◆ Nötta kedjor och svärd bör bytas ut.
- ◆ Använd bara sådana utbytessvärd och -kedjor som tillverkaren anger.

## Säkerhet för andra

- ◆ Verktyget ska inte användas av personer (inklusive barn) med nedsatt fysisk eller mental förmåga eller bristande erfarenhet och kunskap, om de inte får vägledning och övervakas av en person som ansvarar för deras säkerhet.
- ◆ Barn ska hållas under uppsikt så att de inte leker med verktyget.

## Vibrationer

De uppgivna vibrationsvärdena som anges i avsnitten Tekniska data och EU-förklaring om överensstämmelse har uppmätts i enlighet med en standardtestmetod föreskriven i EN 60745 och kan användas för jämförelse med andra verktyg. Det uppgivna vibrationsvärdet kan även användas för en preliminär bedömning av exponering.

**Varning!** Vibrationsvärdet under faktisk användning av elverktyget kan skilja sig från det uppgivna värdet beroende på hur verktyget används. Vibrationsnivån kan överstiga den uppgivna nivån.

Vid uppskattningar av exponering för vibrationer i syfte att bedöma vilka säkerhetsåtgärder som är nödvändiga enligt 2002/44/EG för att skydda personer som regelbundet använder elverktyg i arbetet ska man utgå från de faktiska

omständigheter under vilka elverktyget används och sättet på vilket det används. Bedömningen ska även ta hänsyn till alla moment i arbetscykeln, t.ex. när verktyget är avstängt och när det går på tomgång såväl som när det faktiskt används.

## Etiketter på verktyg

Följande symboler finns på verktyget:



**Varning!** Läs bruksanvisningen innan du använder sågen för att minska risken för olyckor.



Använd inte sågen i väta och utsätt den inte för regn.



Använd alltid skydd för huvud, hörsel och ögon.



Se upp för fallande föremål.



Håll åskådare borta.



Använd inte sågen när du står på en stege.



Kontrollera kedjespänningen var 10:e minut vid användning. Justera den till ett spelrum på 3 mm.



Smörj kedjan var 10:e minut vid användning.



Varning! Rör inte kedjan vid spånutkastet.



Rörelseriktning för kedjan.

## Övriga risker

Trots att relevanta säkerhetsföreskrifter tillämpas och säkerhetsåtgärder vidtas är vissa risker fortfarande förknippade med sågning i trä och kan inte undvikas. De är:

- ◆ Risk för skador genom kontakt med rörliga, vassa eller heta delar, grenar eller skräp som faller ned på användaren, kringstående personer eller egendom, skräp som kastas ut från sågen.
- ◆ Risk för skador finns vid oavsiktlig användning, fall från stege eller träd, skada på elkabeln, användning av sågen i väta eller på riskfyllda platser, barns eller klens personers användning av sågen, underlåtenhet att bära lämpliga personliga skydd eller lämplig klädsel, inandning av damm från sågat trä.

Uppmärksamheten har riktats mot ovanstående risker genom varningar i säkerhetsinstruktioner och/eller genom märkning på redskapet.



## Ytterligare säkerhetsinstruktioner för batterier och laddare

### Batterier

- ◆ Försök aldrig att öppna batterierna.
- ◆ Utsätt inte batteriet för vatten.
- ◆ Utsätt inte batteriet för värme.
- ◆ Förvara inte på platser där temperaturen kan bli högre än 40°C.
- ◆ Ladda endast vid temperaturer mellan 10°C och 40°C.
- ◆ Ladda endast med hjälp av laddare som medföljer apparaten. Om du använder fel laddare kan det resultera i en elstöt eller att batteriet överhettas.
- ◆ Följ instruktionerna som anges i avsnittet "Miljö" när du kastar batterierna.
- ◆ Skydda batteriet från skador/deformeringar i form av slag och stötar eftersom det kan leda till personskador eller eldsvåda.
- ◆ Ladda inte skadade batterier.
- ◆ Under extrema förhållanden kan batterierna läcka. Om det finns vätska på batterierna, torka du försiktigt bort vätskan med en trasa. Undvik hudkontakt.
- ◆ Vid kontakt med hud eller ögon, följ instruktionerna nedan.

**Varning!** Batterivätskan kan orsaka person- eller materialskador. Vid hudkontakt, skölj genast med vatten. Vid rodnader, smärta eller irritation ska läkare uppsökas. Vid kontakt med ögon, skölj genast med rent vatten, och uppsök läkare.

### Laddare

Laddaren är avsedd för en viss spänning. Kontrollera alltid att nätspänningen överensstämmer med värdet på typskylten.

**Varning!** Försök aldrig byta ut kontakten till laddaren mot en vanlig kontakt.

- ◆ Använd laddaren från Black & Decker endast för att ladda batteriet i den apparat som laddaren levererades med. Andra batterier kan spricka och orsaka personskador och andra skador.
- ◆ Försök aldrig att ladda ej uppladdningsbara batterier.
- ◆ Om nätsladden är skadad måste den för undvikande av fara bytas ut av tillverkaren eller en auktoriserad Black & Decker-verkstad.
- ◆ Utsätt inte laddaren för vatten.
- ◆ Öppna inte laddaren.
- ◆ Gör ingen åverkan på laddaren.
- ◆ Apparaten batteri ska placeras på en plats med god ventilation vid laddning.

## Etiketter på laddaren

Följande symboler finns på laddaren:



Eftersom laddaren är dubbelisolerad behövs ingen jordledare. Kontrollera alltid att nätspänningen överensstämmer med värdet på typskylten.



Laddaren är endast avsedd för användning inomhus.



**Varning!** Läs bruksanvisningen innan du använder sägen för att minska risken för olyckor.

## Funktioner

1. Överkåke
2. Underkåke
3. Kedjesvärd
4. Oljelock
5. Spärrhake
6. Batteri
7. Strömbrytare
8. Spånutkastningspunkt
9. Laddare

## Montering

**Varning!** Ta ur batteriet (6) innan du sätter ihop verktyget.

### Montera och ta bort batteriet (fig. A)

- ◆ Sätt i batteriet (6) genom att placera det i linje med kontakten på verktyget. Skjut in batteriet (6) på dess plats och tryck tills batteriet (6) snäpper på plats.
- ◆ Ta ur batteriet (6) genom att trycka på lösgöringsknappen (18) samtidigt som du drar ut batteriet (6) från dess plats.

### Sätta på batteriskyddet (fig. K)

**Varning!** Sätt skyddet (17) på batteriet (6) vid transport och förvaring.

### Öppna handtagen (fig. B)

- ◆ Öppna handtagen genom att skjuta spärrhaken (5) bakåt och dra isär handtagen.
- ◆ Efter användning stänger du handtagen och skjuter fram spärrhaken (5) så att handtagen låses fast. Handtagen bör vara låsta under transport och förvaring.

### Justering av kedjespänning (fig. C)

**Varning!** Se till att verktyget är avstängt och batteriet urtaget innan kedjespänningen eller något annat justeras.

**Varning!** Kedjesvärdet och själva kedjan kan vara varma efter användning. Låt dem svalna före justering. Sägen levereras sammansatt och klar. Vi rekommenderar

emellertid att du före användning kontrollerar om kedjans (14) spänning och retensionsmuttrarna på kedjehölet behöver justeras.

### Kontroll och justering av kedjespänning (fig. C)

Lossa de två retensionsmuttrarna (12) med nyckeln (13) när kedjan (14) ska spännas, så skjuter kedjesträckaren ut svärdet (3) och rätt spänning ställs in. Skruva sedan åt de båda retensionsmuttrarna (12) ordentligt.

Kontrollera att den rätta spänningen har ställts in genom att dra lätt i kedjan (14). Kedjan är rätt spänd när den snäpper tillbaka efter att ha dragits ut 3 mm från svärdet. Kedjan (14) ska inte hänga löst från svärdet (3) på undersidan.

**Obs!** Spänn inte kedjan för hårt eftersom det ger ökad förlitning och minskar svärdets och kedjans livslängd. Det minskar också sågens prestanda.

**Obs!** Kontrollera kedjespänningen ofta när sågen används första gången och när kedjan är ny, eftersom en ny kedja sträcks något.

### Byte av kedja och svärd

Efter långvarig användning kan kedjan (14) och/eller kedjesvärdet (3) behöva bytas ut. Använd endast av Black & Decker rekommenderade reservdelar.

### Ta bort sågkedjan och svärdet (fig. C och D)



Använd alltid skyddshandskar när sågkedjan (14) läggs på eller tas bort. Kedjan är vass och kan skära dig även när den inte är i rörelse.

**Varning!** Kedjesvärdet och själva kedjan kan vara varma efter användning. Låt dem svalna innan de byts.

- ◆ Lagg sågen på ett stabilt underlag.
- ◆ Vrid de två retensionsmuttrarna (12) motsols med den bifogade nyckeln (13) och ta bort dem helt.
- ◆ Ta bort kedjehölet (11).
- ◆ Skjut spärrhaken (5) till öppet läge, öppna handtagen och dra tillbaka överkåken (1).
- ◆ Dra tillbaka svärdet (3) och lyft sedan ut kedjan (14) ur spåret på svärdet. Kedjan kan sedan tas bort från enheten.
- ◆ Svärdet (3) kan därefter vinklas upp och tas bort.

### Montering av svärd och kedja (fig. E & F)

**Varning!** Använd alltid skyddshandskar när sågkedjan monteras eller tas bort. Kedjan är vass och kan skära dig även när den inte är i rörelse.

- ◆ Se till att arbeta på ett stabilt underlag.
- ◆ Skjut spärrhaken (5) till öppet läge, öppna handtagen och dra tillbaka överkåken (1).
- ◆ Sätt in svärdet (3) i utrymmet mellan kedjesträckaren och placera det i linje med svärdets styranordning och vinkla ner svärdet (3) så att det hamnar i rätt position.
- ◆ Placera kedjan (14) runt främre änden på kedjesvärdet (3).
- ◆ Dra tillbaka svärdet (3) med kedjan (14) och för in kedjan i spåret på svärdet (3) och sedan över kedjekransen (16) och passa in kuggarna rätt på kransen.
- ◆ Sätt tillbaka kedjehölet (11) och retensionsmuttrarna (12) och dra åt dem ordentligt.
- ◆ Se till att kedjan (14) är korrekt monterad i enlighet med markeringarna på verktyget.

### Smörjning (fig. G)

- ◆ Kedjan måste smörjas med rätt kedjesmörjolja före första användning och var 10:e minut under användning. (Kat.nr A6027) Öppna oljelocket (4) och stoppa in flaskan i oljepåfyllningshålet (15). Tryck på flaskan en gång för att portionera ut olja.
- ◆ Den bör räcka för omkring 10 minuters sågning beroende på såghastighet och typ av trä.

Genom hålet fördelas oljan över kedjan och svärdet (3). Alltför mycket olja kan göra att det droppar olja från enheten runt käkarna. Detta är normalt och ingenting att oroa sig för.

### Användning

#### Ladda batteriet (fig. H)

**Varning!** Låt verktyget arbeta i sin egen takt, överbelasta det inte.

#### Laddning

**Varning!** Ladda inte batteriet om temperaturen i luften är lägre än 10°C eller högre än 40°C. Den rekommenderade laddningstemperaturen är cirka 24°C.

**Obs!** Laddaren laddar inte batteriet om celltemperaturen är lägre än ungefär 0°C eller högre än 60°C.

- ◆ Låt batteriet sitta kvar i laddaren, så börjar laddningen automatiskt när celltemperaturen har stigit eller sjunkit.
- ◆ Anslut laddaren (9) till vägguttaget.
- ◆ Sätt batteriet (6) i laddaren. Se till att batteriet sitter ordentligt i laddaren (9).
- ◆ Laddningsindikatorn börjar blinka regelbundet.
- ◆ När batteriet är laddat lyser laddningsindikatorn med ett fast sken.

- ◆ Batteriet kan sitta kvar i laddaren och laddaren kan vara ansluten till vägguttaget hur länge som helst när indikatorn lyser. Indikatorn kommer emellanåt att börja blinka (laddningsläge), eftersom laddaren då och då "fyller på" batteriets laddning.
- ◆ Laddningsindikatorn lyser när batteriet sitter i laddaren och laddaren är ansluten till ett eluttag.

Urladdade batterier bör laddas inom en vecka.

Om batterierna inte laddas när de är urladdade försämras batteritiden avsevärt.

### Laddningsindikatorer

Om laddaren upptäcker ett fel på batteriet börjar laddningsindikatorn att blinka snabbt.

- ◆ Om detta inträffar ska du ta ut batteriet (6) och sedan sätta tillbaka det igen.
- ◆ Om problemet kvarstår bör du försöka med att sätta ett annat batteri i laddaren för att kontrollera om laddaren är trasig.
- ◆ Om det nya batteriet kan laddas utan problem är det gamla batteriet defekt och bör lämnas till ett servicecenter för återvinning.
- ◆ Om problemet kvarstår med det nya batteriet bör du ta med laddaren till ett auktoriserat servicecenter.

**Obs!** Det kan ta upp till femton minuter att avgöra om batteriet är defekt.

Om batteriet är för varmt eller för kallt blinkar indikatorn växelvis snabbt och långsamt upprepade gånger med en blinkning i varje hastighet.

### Förberedelser

- ◆ Rengör sågen regelbundet enligt anvisningarna i avsnittet om underhåll och rengör särskilt insidan av kedjehöjlet (11).
- ◆ Underkäken (2) och överkäken (1) stängs när något av handtagen släpps eller när en gren har sågats av. Sluta använda sågen om de inte stängs, och ta ur batteriet från verktyget.
- ◆ Kontrollera om det är något skräp som hindrar stängningen. För att göra detta kan det bli nödvändigt att ta bort kedjehöjlet (11). Lämna sågen till en auktoriserad verkstad om problemet kvarstår efter hopsättningen.

### Slå på och av

**Varning!** Försök aldrig låsa eller fixera strömbrytaren i läge på.

Sågen är för din säkerhet utrustad med dubbelt strömbrytarsystem. Det förhindrar att sågen kan startas av misstag.

### Slå på (fig I)

Se till att du har ett stadigt grepp om handtagen och krama sedan båda strömbrytarna (5) för att starta verktyget.

### Slå av (fig. I)

Släpp någon av strömbrytarna.

**Obs!** Båda strömbrytarna måste vara aktiverade för att sågen ska kunna användas.

Tvinga inte verktyget – låt det göra jobbet. Arbetet görs bättre och säkrare i den hastighet som verktyget är konstruerat för. Vid för hårt tryck sträcks kedjan.

Om kedjan (14) eller svärdet (3) skulle fastna:

- ◆ Stanna sågen.
- ◆ Ta ut batteriet ur verktyget.

Öppna sågspåret med kilar för att minska trycket på svärdet. Försök inte vrida loss sågen. Såga upp ett nytt spår.

### Kvistning (fig J)

Kontrollera att det inte finns några lokala förordningar eller bestämmelser som förbjuder eller styr kvistning av träd.

- ◆ Se till att sågen har full fart innan du börjar såga.
- ◆ Håll sågen stadigt på plats för att undvika att den gör kast eller flyttar sig åt sidan.
- ◆ Styr sågen med bara ett lätt tryck.
- ◆ Börja alltid såga uppifrån. Då undviker du att sågkedjan (14) kläms.
- ◆ Såga av grenar så som visas i figur J. Börja från grenens topp och kapa den i lagom långa bitar.
- ◆ Lyft sågen från den avsågade grenen medan den går med högsta fart.

### Underhåll

Den här Black & Decker-apparaten (med eller utan sladd) är konstruerad för att fungera under lång tid med minsta möjliga underhåll. Med rätt underhåll och regelbunden rengöring behåller verktyget sina prestanda.

**Varning!** Innan något underhåll utförs på elverktyg med eller utan sladd

- ◆ måste verktyget stängas av och nätkontakten dras ur.
- ◆ Du kan också ta ur batteriet ur apparaten om apparaten har ett separat batteri.
- ◆ Ytterligare ett alternativ är att låta batteriet laddas ur helt om det är integrerat och sedan stänga av den.
- ◆ Dra ur sladden till laddaren innan du rengör den. Laddaren behöver inget annat underhåll än regelbunden rengöring.

Rengör regelbundet luftintaget i apparaten/verktyget/laddaren med en mjuk borste eller torr trasa.

Rengör kåpan regelbundet med en fuktig trasa. Använd aldrig rengöringsmedel med lösnings- eller slipmedel.

Öppna chucken (där sådan finns) med jämna mellanrum och knacka på den för att avlägsna damm som sitter på insidan.

## Rengöring

- ◆ Ta regelbundet bort kedjehöljet (11) och avlägsna allt skräp som har fastnat.
- ◆ Rengör regelbundet ventilationsöppningen med en ren och torr målarborste.
- ◆ Använd bara mild tvål och dammtrasa för att rengöra sågen. Låt aldrig någon vätska komma in i sågen och doppa den aldrig i någon vätska.

## Smörjning

- ◆ Smörj regelbundet smörjpunkterna (15) som visas i figur D.

## Transport

- ◆ Transportera alltid sågen med kåkarna stängda och spärrhaken (5) i låst läge.

## Slipning av kedjan

För att verktyget skall fungera så bra som möjligt är det viktigt att hålla sågtänderna vassa. Anvisningar återfinns på slipsats förpackning. Vi rekommenderar att du köper en slipsats för kedjesågar med kat.nr A6039 (finns att köpa hos auktoriserade Black & Decker-verkstäder och utvalda återförsäljare).

## Byte av utslitna sågkedjor

Utbyteskedjor finns hos auktoriserade Black & Decker-verkstäder och -återförsäljare. Använd alltid originaldelar.

## Kedjans skärpa

Sågtänderna blir genast slöa om de kommer i kontakt med marken eller en spik under sågning.

## Kedjespänning

Kontrollera kedjespänningen regelbundet.

## Om kedjesågen behöver repareras.

Din kedjesåg uppfyller alla relevanta säkerhetskrav. Reparationer ska utföras av kvalificerade personer och endast med originaldelar, annars kan användaren utsättas för stor fara. Behåll den här bruksanvisningen och förvara den så att den inte kommer bort.

## Förvaring

Torka av alla metaldelar med olja när verktyget inte ska användas på flera månader. Det är bäst om batteriet (6) får vara anslutet till laddaren.

Gör så här:

- ◆ Ladda batteriet fullt (6).
- ◆ Ta ur batteriet (6) från verktyget.
- ◆ Förvara verktyget och batteriet (6) på ett säkert och torrt ställe. Temperaturen i förvaringsutrymmet måste alltid ligga mellan +5°C och +40°C. Placera batteriet (6) på en plan yta.

- ◆ Ladda batteriet (6) fullt innan du använder verktyget efter att det legat oanvänt under en längre tid.

## Miljö



Separat insamling. Produkten får inte kastas i hushållssoporna.

Tänk på miljön när du slänger denna Black & Decker-produkt. Släng den inte tillsammans med hushållsavfallet. Lämna produkten för separat insamling.



Insamling av uttjänta produkter och förpackningsmaterial gör att material kan återanvändas. Användning av återvunnet material minskar föroreningar av miljön och behovet av råmaterial.

Lokala föreskrifter kan kräva separat insamling av elprodukter från hushållen, vid kommunala samlingsplatser eller hos återförsäljaren när du köper en ny produkt.

Black & Decker samlar in och återvinner uttjänta Black & Decker-produkter. Om du vill utnyttja denna tjänst återlämnar du produkten till en auktoriserad verkstad, som samlar in den för vår räkning.

För information om närmaste auktoriserade verkstad, kontakta det lokala Black & Decker-kontoret på den adress som är angiven i bruksanvisningen. En lista över alla auktoriserade verkstäder samt servicevillkor finns även tillgänglig på Internet: [www.2helpU.com](http://www.2helpU.com).

## Batterier



Kassera batterierna på ett miljövänligt sätt när de är förbrukade:

- ◆ Undvik att kortsluta batteripolerna.
- ◆ Bränn aldrig batterier eftersom det kan leda till personskador eller orsaka en explosion.
- ◆ Låt batteriet laddas ur helt och ta sedan ut det ur verktyget.
- ◆ Batterierna kan återvinnas. Packa in batterierna så att polerna inte kan kortslutas. Ta med dem till en auktoriserad verkstad eller en återvinningsstation.

## Tekniska data

GKC1000L H1	
Spänning	Vdc 18
Kedjehastighet (utan belastning)	m/min 1,9
Maxdiameter för sågning	mm 100
Vikt	kg 3,5

A1518L	
Spänning	Vdc 18
Utström	A 3,7
Kapacitet	Ah 1,5
Batteri	Typ Li-Ion
Vikt	kg 0,45

9053954*	
Inspänning	Vac 230
Utspänning	Vdc 21
Utström	A 1,9
Ungefärlig laddningstid	
1,5 Ah-batteri	h 1
Vikt	kg 0,5

Garanterad ljudnivå, uppmätt enligt 2000/14/EG:

$L_{pA}$  (ljudnivå) 85 dB(A), osäkerhet (K) 3 dB(A)

$L_{WA}$  (ljudeffekt) 96 dB(A), osäkerhet (K) 3 dB(A)

$L_{WA}$  (garanterad) 97 dB(A)

Totala vibrationsvärden (vektorsumman av tre axlar)

fastställt enligt EN 60745:

Sågning i mjukt, färskt trä ( $a_{rv}$ ) = 3,8 m/s<sup>2</sup>,

osäkerhet (K) = 1,5 m/s<sup>2</sup>

## EC-deklaration om överensstämmelse

MASKINDIREKTIV  
BULLERFÖRESKRIFTER, UTMOMHUS



## GKC1000L

Black & Decker intygar att de produkter som beskrivs under "tekniska data" överensstämmer med:

2006/42/EG

EN 60745-1

2000/14/EG, Kedjesåg, Bilaga VI

Ljudnivå enligt 2000/14/EG

$L_{WA}$  (uppmätt Ljudeffekt) dB 85

$L_{WA}$  (garanterad Ljudeffekt) dB 97

Om du vill veta mer kontakter du Black & Decker på följande adress eller läser på bruksanvisningens baksida.

Undertecknad är ansvarig för sammanställningen av tekniska data och gör denna försäkran för Black & Deckers räkning.

Kevin Hewitt

Vice-President Global Engineering

Black & Decker Europe,

210 Bath Road, Slough,

Berkshire, SL1 3YD

Storbritannien

22-02-2010

Alligator™ Lopper-sågen är patent- och mönsterskyddad i Europa, USA och andra länder runt om i världen.

ALLIGATOR är ett registrerat varumärke tillhörande Black & Decker Corporation.

## Garanti

Black & Decker garanterar att produkten är fri från material- och/eller fabriktionsfel vid leverans till kund. Garantin gäller utöver konsumentens rättigheter enligt lag och påverkar inte dessa. Garantin gäller inom medlemsstaterna i Europeiska Unionen och i det Europeiska Frihandelsområdet.

Om en Black & Decker-produkt blir defekt på grund av material- och/eller fabriktionsfel eller brister i överensstämmelse med specifikationen inom 24 månader från köpet, åtar sig Black & Decker att reparera eller byta ut produkten med minsta besvär för kunden, såvida inte:

- ◆ Produkten har använts i kommersiellt, yrkesmässigt eller uthyrningssyfte.
- ◆ Produkten har utsatts för felaktig användning eller skötsel.
- ◆ Produkten har skadats av främmande föremål, ämnen eller genom olyckshändelse.
- ◆ Reparation har utförts av någon annan än en auktoriserad Black & Decker-verkstad.

För att utnyttja garantin skall produkten och inköpskvittot lämnas till återförsäljaren eller till en auktoriserad verkstad.

För information om närmaste auktoriserade verkstad, kontakta det lokala Black & Decker-kontoret på den adress som anges i bruksanvisningen. En förteckning över alla auktoriserade verkstäder samt servicevillkor finns även tillgängliga på Internet: **[www.2helpU.com](http://www.2helpU.com)**.

Besök vår webbplats **[www.blackanddecker.se](http://www.blackanddecker.se)** för att registrera din nya Black & Decker-produkt och för att få information om nya produkter och specialerbjudanden. Vidare information om märket Black & Decker och vårt produktsortiment finns på **[www.blackanddecker.se](http://www.blackanddecker.se)**.

## Bruksområde

Black & Decker Alligator™-kutteren er utformet for å beskære grenene på trær, dele opp felte grener og dele opp små kubber på 25-100 mm i diameter mens operatøren står på bakken. Verktøyet er tiltenkt kun som konsumentverktøy.

## Sikkerhetsinstruksjoner

### Generelle sikkerhetsadvarsler for elektroverktøy




**Advarsel! Les alle sikkerhetsadvarsler og alle instruksjoner.** Hvis ikke alle instruksjonene blir fulgt, kan det medføre elektrisk støt, brann og/eller alvorlige personskader.

### Ta vare på alle advarsler og instruksjoner for fremtidig bruk.

Uttrykket "elektroverktøy" i alle advarslene nedenfor gjelder for strømdrevne elektroverktøy (med ledning) og batteridrevne elektroverktøy (uten ledning).

1. **Sikkerhet i arbeidsområdet**
    - a. **Hold arbeidsområdet rent og godt opplyst.** Rotete arbeidsområder og arbeidsområder uten lys kan føre til ulykker.
    - b. **Ikke arbeid med elektroverktøy i eksplosjonsfarlige omgivelser – der det befinner seg brennbare væsker, gass eller støv.** Elektroverktøy forårsaker gnister som kan antenne støv eller damper.
    - c. **Hold barn og andre personer unna når elektroverktøyet brukes.** Hvis du blir forstyrret under arbeidet, kan du miste kontrollen.
  2. **Elektrisk sikkerhet**
    - a. **Støpselet til elektroverktøyet må passe inn i stikkkontakten. Støpselet må ikke forandres på noen som helst måte. Ikke bruk adapterstøpsler sammen med jordede elektroverktøy.** Bruk av originale støpsler og passende stikkontakter reduserer risikoen for elektrisk støt.
    - b. **Unngå kroppskontakt med jordede overflater som rør, radiatorer, komfyrer og kjøleskap.** Det er større fare for elektrisk støt dersom kroppen din er jordat.
    - c. **Hold elektroverktøy unna regn eller fuktighet.** Dersom det kommer vann i et elektroverktøy, øker faren for elektrisk støt.
    - d. **Unngå uforvarlig behandling av ledningen.** Elektroverktøyet må aldri bæres eller trekkes etter ledningen, og trekk heller ikke ut støpselet ved å rykke i ledningen. Hold ledningen unna varme, olje, skarpe kanter eller bevegelige deler. Med skadde eller sammenflokede ledninger øker risikoen for elektrisk støt.
  - e. **Når du arbeider utendørs med et elektroverktøy, må du kun bruke en skjøteledning som er godkjent til utendørs bruk.** Når du bruker en skjøteledning som er egnet for utendørs bruk, reduseres risikoen for elektrisk støt.
  - f. **Hvis du ikke kan unngå å bruke et elektroverktøy på et fuktig sted, bruker du strømforsyning som er beskyttet med jordfeilbryter.** Bruk av jordfeilbryter reduserer risikoen for elektrisk støt.
3. **Personsikkerhet**
    - a. **Vær oppmerksom, pass på hva du gjør, og vis fornuft når du arbeider med et elektroverktøy. Ikke bruk elektroverktøy når du er trett eller er påvirket av narkotika, alkohol eller medikamenter.** Et øyeblikks uoppmerksomhet under bruk av verktøyet kan føre til alvorlige personskader.
    - b. **Bruk personlig verneutstyr. Bruk alltid vernebriller.** Bruk av personlig verneutstyr, for eksempel støvmaske, sklisikre vernesko, hjelm eller hørselsvern som passer til forholdene, reduserer risikoen for personskader.
    - c. **Forhindre utilsikket start av elektroverktøyet. Kontroller at bryteren står i posisjon "av" før du kobler til strømkilden og/eller batteripakken, og før du tar opp eller bærer verktøyet.** Det kan føre til ulykker hvis du bærer elektroverktøyet med fingeren på bryteren, eller kobler til verktøyet når bryteren ikke står i posisjon "av".
    - d. **Fjern innstillingsverktøy eller skrunøkler før du slår på elektroverktøyet.** Et verktøy eller en nøkkel som befinner seg i en roterende del, kan forårsake personskade.
    - e. **Ikke strekk deg for langt. Pass på at du alltid har sikkert fotfeste og god balanse.** Da kan du kontrollere elektroverktøyet bedre i uventede situasjoner.
    - f. **Bruk alltid egnede klær. Ikke bruk løstsittende klær eller smykker. Hold hår, klær og hanser unna bevegelige deler.** Løstsittende klær, smykker eller langt hår kan komme inn i bevegelige deler.
    - g. **Hvis det kan monteres støvavsug- og oppsamlingsinnretninger, må du forvise deg om at disse er tilkoblet og brukes på riktig måte.** Bruk av disse innretningene reduserer faren for forbindelse med støv.
  4. **Aktsom håndtering og bruk av elektroverktøy**
    - a. **Ikke bruk makt på elektroverktøyet. Bruk et elektroverktøy som er beregnet på den type arbeid du vil utføre.** Med et passende elektroverktøy arbeider du bedre og sikrere i det angitte effektområdet.
    - b. **Ikke bruk elektroverktøy med defekt strømbryter.** Et elektroverktøy som ikke kan kontrolleres med bryteren, er farlig og må repareres.

- c. **Trekk støpselet ut av stikkkontakten og/eller koble fra batteripakken på elektroverktøyet før du utfører innstillinger, skifter tilbehørsdeler eller legger elektroverktøyet bort.** Disse forebyggende sikkerhetstiltakene reduserer risikoen for utilsiktet start av elektroverktøyet.
- d. **Elektroverktøy som ikke er i bruk, må oppbevares utilgjengelig for barn. Ikke la verktøyet brukes av personer som ikke er fortrolig med det, eller som ikke har lest denne bruksanvisningen.** Elektroverktøy er farlige når de brukes av uerfarne personer.
- e. **Vær nøye med vedlikehold av elektroverktøy. Kontroller at bevegelige deler fungerer feilfritt og ikke klemmes fast, om deler er brukket eller skadet, og andre forhold som kan innvirke på elektroverktøyets funksjon. Hvis elektroverktøyet er skadet, må det repareres før bruk.** Dårlig vedlikeholdte elektroverktøy er årsaken til mange uhell.
- f. **Hold skjæreverktøy skarpe og rene.** Godt vedlikeholdte skjæreverktøy med skarpe egger setter seg ikke så ofte fast og er lettere å føre.
- g. **Bruk elektroverktøy, tilbehør, bits osv. i henhold til disse instruksjonene. Ta hensyn til arbeidsforholdene og arbeidet som skal utføres.** Bruk av elektroverktøy til andre formål enn det som er angitt, kan føre til farlige situasjoner.
5. **Aktsom håndtering og bruk av batteriet**
- a. **Gjenoppladingen skal bare skje med den laderen som produsenten har spesifisert.** En lader som er egnet til én type batteripakke, kan føre til brannrisiko når den brukes med en annen batteripakke.
- b. **Bruk elektroverktøy bare med spesifiserte batteripakker.** Bruk av andre batteripakker kan føre til fare for personskader og brann.
- c. **Når batteripakken ikke er i bruk, må du oppbevare den atskilt fra andre metallgjenstander som binders, mynter, nøkler, spiker, skruer eller andre små metallgjenstander som kan opprette en forbindelse fra en terminal til en annen.** Dersom batteriets terminaler kortsluttes med hverandre, kan det oppstå forbrenning eller brann.
- d. **Under forhold med feil stell kan det lekke væske fra batteriet. Unngå å komme i kontakt med væsken. Dersom du ved et uhell kommer i kontakt med væsken, må du spyle den bort med vann. Får du batterivæske i øynene, må du i tillegg oppsøke lege.** Væske som lekker fra batteriet, kan forårsake iritasjoner eller forbrenninger.
6. **Service**
- Elektroverktøyet ditt skal alltid repareres av kvalifisert personell og kun med originale reservedeler.** Dette sikrer at elektroverktøyet sikkerhet opprettholdes.
- Ytterligere sikkerhetsadvarsler for elektroverktøy**
-  **Advarsel!** Ekstra sikkerhetsadvarsler for Alligator™-kutteren
- Advarsel!** Verktøyet må aldri brukes over skulderhøyde. Plasser deg alltid slik at du ikke står der grener eller avfall faller ned.
- Advarsel!** Ikke bruk dette verktøyet til felling av trær.
- ◆ Hold alltid alle kroppsdeler og klær unna sagkjeden. Hold verktøyet foran deg, og vær oppmerksom på plasseringen av sagkjeden, spesielt når du kutter grener nær bakken. Før du slår på verktøyet, må du passe på at sagkjeden ikke er i kontakt med noe.
  - ◆ Planlegg en trygg måte å komme deg unna fallende grener og avfall på. Kontroller at det ikke er hindringer i veien som kan føre til at du ikke kommer deg unna. Husk at vått gress og nylig kuttet bark er glatt.
  - ◆ Vær oppmerksom på hvilke retninger en gren kan falle i. Vurder alle forhold som kan ha innvirkning på fallretningen, inkludert:
    - Den tiltenkte fallretningen.
    - Den naturlige hellingen til grenen.
    - Eventuelle uvanlige og tunge grenstrukturer eller forrånelse.
    - Trær i nærheten og andre hindringer, inkludert kabler eller ledninger i luften.
    - Vindstyrke og -retning.
  - ◆ Trygg avstand mellom grener/avfall som skal felles og personer, bygninger og andre gjenstander er minst 2 1/2 gang grenens lengde. Eventuelle personer, bygninger eller gjenstander innenfor denne avstanden risikerer å bli truffet av den fallende grenen.
  - ◆ Når du kutter en gren som står i spenn, må du være oppmerksom på at den kan slå mot deg. Når spennet i trefibrene frigjøres, kan grenen treffe operatøren og/eller slå verktøyet ut av kontroll.
  - ◆ Bruk alltid egnet sikkerhetsutstyr, for eksempel antiskli-sikkerhetssko, hjelm, vernebriller, hørselsvern og hansker når du bruker verktøyet.
  - ◆ Sørg for at noen er i nærheten (men på trygg avstand) i tilfelle uhell.
  - ◆ Ikke bruk verktøyet når du er oppe i et tre, står på en stige eller står på andre ustabile innretninger.
  - ◆ Pass på at du alltid har sikkert foffeste og god balanse.



- ◆ Hold verktøyet fast med begge hender når motoren er i gang.
- ◆ Hold håndtakene tørre og rene, og pass på at det ikke kommer olje og fett på dem. Oljete håndtak er glatte, og du kan miste kontroll over verktøyet.
- ◆ Ikke la kjeden komme i kontakt med noen gjenstander ytterst på sverdet.
- ◆ Hold sagkjeden tilstrekkelig strammet. Kontroller strammingen jevnlig når motoren er stoppet og ledningen frakoblet.
- ◆ Begynn og fortsett med kuttingen først når kjeden beveger seg med full hastighet.
- ◆ Se etter bevegelige grener eller andre krefter som kan avbryte en kutting, klemme kjeden eller falle ned på den.
- ◆ Vær svært forsiktig når du fortsetter med en tidligere kutting. Sett piggene på den nedre kloen inn i tre, og la kjeden nå full hastighet før du fortsetter kuttingen.
- ◆ Bruk av dette verktøyet til andre formål enn det som er angitt, kan føre til farlige situasjoner. Kutt bare i tre. Ikke bruk dette verktøyet til formål det ikke er tiltenkt for. Eksempel: Ikke bruk verktøyet til å kutte plast, mur eller byggematerialer som ikke er av tre.
- ◆ Hvis avfall setter seg fast i beskyttelsesanordningen eller verktøyet, må du avbryte bruken, ta ut batteriet og fjerne avfallet.
- ◆ Slitte kjeder og sverd må byttes ut.
- ◆ Bruk bare erstatningsverd og -kjeder som produsenten har angitt.

### Andre personers sikkerhet

- ◆ Det er ikke meningen at dette verktøyet skal brukes av personer (inkludert barn) med reduserte fysiske, sansemessige eller mentale evner, eller som mangler erfaring og kunnskap, med mindre de har fått oppfølging eller instruksjon når det gjelder bruken av apparatet, fra en person som er ansvarlig for deres sikkerhet.
- ◆ Barn skal være under oppsyn så det sikres at de ikke leker med apparatet.

### Vibrasjon

Vibrasjonsemisjonsverdien som er angitt under tekniske data og samsvarserklæring, er blitt målt i henhold til en standard testmetode som er angitt i EN 60745, og kan brukes til å sammenligne et verktøy med et annet. Den oppgitte vibrasjonsemisjonsverdien kan også brukes til en foreløpig vurdering av eksponering.

**Advarsel!** Vibrasjonsemisjonsverdien under faktisk bruk av elektroverktøyet kan avvike fra den oppgitte verdien avhengig av måten verktøyet blir brukt på. Vibrasjonsnivået kan øke over nivået som er oppgitt.

Når man vurderer vibrasjonseksponering for å bestemme sikkerhetstiltak som kreves i 2002/44/EF for å beskytte personer som bruker elektroverktøy regelmessig i arbeidet, skal man når man anslår vibrasjonseksponeringen, ta hensyn til de faktiske bruksforholdene og måten verktøyet blir brukt på, inkludert hensyn til alle deler av bruksyklusen – også de gangene verktøyet slås av og når det går på tomgang, i tillegg til tiden utløseren er inne.

### Merking på verktøy

Følgende symboler finnes på verktøyet:



**Advarsel!** Brukeren må lese håndboken for å redusere risikoen for personskade.



Ikke bruk sagen i våte omgivelser, ikke la den utsettes for regn.



Bruk alltid hodebeskyttelse, hørselsvern og beskyttelsesbriller.



Vær oppmerksom på fallende gjenstander. Hold andre personer unna.



Ikke bruk verktøyet på stiger.



Kontroller kjedestrammingen hvert tiende minutt. Juster det tilbake til en klaring på 3 mm.



Olje kjeden hvert tiende minutt under bruk.



**Advarsel:** Ikke berør kjeden i sponutslippsområdet.



Kjedens bevegelsesretning.

### Andre former for risiko

Til tross for bruk av relevante sikkerhetsbestemmelser og gjennomføring av sikkerhetstiltak, finnes det visse andre former for risiko forbundet med bruk av sager for kutting av tre. Disse kan ikke unngås. De er:

- ◆ Risiko for skader i forbindelse med kontakt med bevegelige deler, skarpe deler, varme deler, grener eller avfall som faller ned på operatøren, andre personer eller eiendom, avfall som kommer ut av verktøyet.
- ◆ Risiko for skader i forbindelse med ikke tiltenkt bruk, fall fra stige eller arbeidsposisjon i et tre, skade på strømledningen, bruk av verktøyet på våte eller farlige steder, bruk av produktet av små barn eller personer med nedsatt helse, manglende bruk av

egnet verneutstyr eller verneklær, innpusting av støv fra trekuttingen.

Risikotypene ovenfor er angitt ved advarsler i sikkerhetsinstruksene og/eller merker på verktøyet.

## Ytterligere sikkerhetsinstruksjoner for batterier og ladere

### Batterier

- ◆ Forsøk ikke å åpne batteriet uansett hvilket formål du måtte ha.
- ◆ Ikke utsett batteriet for vann.
- ◆ Ikke utsett batteriet for varme.
- ◆ Oppbevar ikke batteriet på steder der temperaturen kan overskride 40°C.
- ◆ Lad bare ved temperaturer mellom 10°C og 40°C.
- ◆ Bruk bare ladere av typen som følger med apparatet/verktøyet. Hvis du bruker feil lader, kan det føre til elektrisk støt eller overoppheting av batteriet.
- ◆ Følg instruksene som finnes i avsnittet "Miljø" når du skal kaste batterier.
- ◆ Ikke skad eller deformer batteripakken ved punktering eller støt, da dette kan føre til risiko for personskade og brann.
- ◆ Ikke lad skadede batterier.
- ◆ Under ekstreme forhold kan det forekomme batterilekkasje. Hvis du oppdager væske på batteriene, må du tørke væsken forsiktig av med en klut. Unngå kontakt med huden.
- ◆ Hvis væsken kommer i kontakt med huden eller øynene, følger du instruksjonene nedenfor.

**Advarsel!** Batterivæsken kan føre til personskade eller skade på eiendom. Ved hudkontakt skyller du umiddelbart med vann. Hvis huden blir rød eller irritert eller smerter inntreffer, søk medisinsk hjelp. Hvis væsken kommer i kontakt med øynene, skyller du umiddelbart med rent vann og søker medisinsk hjelp.

### Ladere

Ladere er konstruert for en bestemt spenning. Kontroller alltid at nettspenningen er i overensstemmelse med spenningen på typeskiltet.

**Advarsel!** Prøv aldri å skifte ut laderen med en vanlig nettplugg.

- ◆ Bruk bare Black & Decker-ladere til å lade batteriet i apparatet/verktøyet som laderen kom sammen med. Andre batterier kan sprekke og føre til personskade og materiell skade.
- ◆ Prøv aldri å lade ikke-oppladbare batterier.
- ◆ Hvis strømledningen blir skadet, må den skiftes av produsenten eller et autorisert Black & Deckerservicecenter for å unngå fare.

- ◆ Ikke utsett laderen for vann.
- ◆ Ikke åpne laderen.
- ◆ Ikke stikk gjenstander eller fingre ned i laderen.
- ◆ Apparatet/verktøyet/batteriet må plasseres på et sted med god gjennomlufting når det lades.

## Symboler på laderen

Du finner følgende symboler på laderen:



Denne ladeenheten er dobbeltisoleret. Jording er derfor ikke nødvendig. Kontroller alltid at strømforsyningen er i overensstemmelse med spenningen på typeskiltet.



Ladeenheten er bare tiltenkt for bruk innendørs.



**Advarsel!** Brukeren må lese håndboken for å redusere risikoen for personskade.

## Funksjoner

1. Øvre klo
2. Nedre klo
3. Sverd for kjede
4. Oljedeksel
5. Lås
6. Batteri
7. Strømbryterutløser
8. Sponutslippsområde
9. Lader

## Montering

**Advarsel!** Fjern batteriet (6) fra verktøyet før montering.

### Sette inn og ta ut batteriet (figur A)

- ◆ Når du skal sette inn batteriet (6), holder du det overfor kontakten på verktøyet. Skyv batteriet (6) inn i kontakten, og skyv til batteriet (6) klikker på plass.
- ◆ Når du skal ta ut batteriet (6), trykker du på utløserknappen (18) og trekker samtidig batteriet (6) ut av kontakten.

### Sette på batterilokket (figur B)

**Advarsel!** Sett lokket (17) på batteriet (6) når du skal transportere og oppbevare det.

### Åpne håndtakene (figur B)

- ◆ Når du skal åpne håndtakene, skyver du låsen (5) bakover og trekker håndtakene fra hverandre.
- ◆ Etter bruk lukker du håndtakene og skyver låsen (5) fremover til låst stilling. Håndtakene skal være låst under transport og oppbevaring.

### Justere kjedestramming (figur C)

**Advarsel!** Før du justerer kjedestrammingen eller gjør andre justeringer, må du passe på at verktøyet er slått av, og at batteriet er tatt ut.

**Advarsel!** Sverdet og sagkjeden kan være varme etter bruk. La verktøyet avkjøles før justering. Produktet leveres ferdig montert. Vi anbefaler imidlertid at du kontrollerer strammingen av kjeden (14) og skruene for kjedetilgangsdekslet før bruk, og om nødvendig justerer dem.

### Kontrollere og justere kjedestrammingen (figur C)

Hvis du skal stramme kjeden (14), løsner du de to festeskruene (12) for kjedetilgangsdekslet med skrunøkkel (13), og kjedestrammingsenheten skyver sverdet (3) ut, slik at riktig stramming blir stilt inn. Stram de to festeskruene (12) godt.

Kontroller at riktig stramming er riktig stilt inn ved å dra lett i kjeden (14). Strammingen er korrekt når kjeden spretter tilbake på plass når den blir trukket 3 mm ut fra sverdet. Det skal ikke være noe "sig" mellom sverdet (3) og kjeden (14) på undersiden.

**Merknad:** Ikke stram kjeden for mye, da dette vil føre til stor slitasje, noe som reduserer levetiden for sverdet og kjeden. Det vil også redusere produktytelsen.

**Merknad:** Ved første gangs bruk og hver gang kjeden er ny, må du kontrollere strammingen ofte, ettersom en ny kjede strekker seg litt.

### Bytte kjede og sverd

Etter langvarig bruk kan det hende du må bytte ut kjeden (14) og/eller sverdet (3). Sørg for at du bare bruker erstatningsdeler som anbefales av Black & Decker.

### Demontere kjeden og sverdet (figur C og D)



Bruk alltid vernehansker når du setter inn eller tar ut sagkjeden (14). Sagkjeden er skarp og kan kutte deg selv om den ikke er i bevegelse.

**Advarsel!** Sverdet og sagkjeden kan være varme etter bruk. La delene avkjøles før du bytter dem ut.

- ◆ Legg verktøyet på en stabil og solid overflate.
- ◆ Skru de to festeskruene (12) mot klokken med skrunøkkel (13) som følger med, og ta dem helt av.
- ◆ Ta bort kjedetilgangsdekslet (11).
- ◆ Skyv låsen (5) til ulåst stilling, åpne håndtakene, og dra øvre klo bakover (1).
- ◆ Dra sverdet (3) bakover, og løft deretter sagkjeden (14) ut av sporet i sverdet. Kjeden kan deretter tas ut av enheten.

- ◆ Sverdet (3) kan deretter vippes opp og tas ut.

### Montere sverdet og kjeden (figur E og F)

**Advarsel!** Bruk alltid vernehansker når du setter inn eller tar ut sagkjeden. Sagkjeden er skarp og kan kutte deg selv om den ikke er i bevegelse.

- ◆ Sørg for at operasjonen utføres på en stabil og solid overflate.
- ◆ Skyv låsen (5) til ulåst stilling, åpne håndtakene, og dra øvre klo bakover (1).
- ◆ Sett inn sverdet (3) i mellomrommet ved kjedestrammeren, plasser i det i forhold til sverdholderen, og vipp sverdet ned idet du passer på at det blir plassert riktig.
- ◆ Legg kjeden (14) rundt fronten av sverdet (3).
- ◆ Dra sverdet (3) og kjeden (14) bakover, slik at den festes i sporet i sverdet (3) og deretter over tannhullet (16). Plasser tennene i riktig posisjon på tannhullet.
- ◆ Sett kjedetilgangsdekslet (11) og de to festeskruene (12) på plass igjen, og fest dem godt.
- ◆ Pass på at kjeden (14) sitter riktig i forhold til merkene på verktøyet.

### Smøring (figur G)

- ◆ Før første gangs bruk og hvert tiende minutt under bruk må du olje produktet med riktig kjedeolje (kat.nr. A6027). Åpne oljedekslet (4), og sett flasken inn i oljefyllingshullet (15). Trykk én gang på flasken for å helle i oljen.
- ◆ Dette skal være tilstrekkelig til ca. 10 minutters kutting, avhengig av kuttehastigheten og tretypen.

Hullet mater oljen gjennom til kjeden på sverdet (3), og hvis enheten tilføres for mye olje, kan det føre til at det drypper olje fra enheten rundt kloorrådet. Dette er vanlig og ingenting å bekymre seg over.

### Bruk

#### Ladning av batteriet (figur H)

**Advarsel!** La verktøyet jobbe med sin egen hastighet. Unngå overbelastning.

#### Ladning

**Advarsel!** Ikke lad batteriet ved omgivelsestemperaturer under 10°C eller over 40°C. Anbefalt ladetemperatur er ca. 24°C.

**Merknad:** Laderen vil ikke lade en batteripakke hvis celledemperaturen er under ca. 0°C eller over 60°C.

- ◆ La batteripakken stå i laderen, og laderen begynner å lade automatisk når celledemperaturen blir høyere eller lavere.
- ◆ Plugg i laderen (9) og slå på nettstrømmen.
- ◆ Sett batteripakken (6) inn i laderen. Pass på at batteripakken sitter helt inne i laderen (9).

- ◆ Ladningsindikatoren blinker kontinuerlig.
- ◆ Ladningen er fullført når ladningsindikatoren lyser kontinuerlig.
- ◆ Laderen og batteripakken kan være tilkoblet så lenge du vil mens LED-lampen lyser. LED-lampen blinker (ladningstilstand) når laderen av og til "fyller på" batteriladningen.
- ◆ Ladningsindikatoren vil lyse så lenge batteripakken er tilkoblet den strømførende laderen.

Lad utladete batterier innen en uke. Batterienes levetid vil bli mye mindre hvis de oppbevares utladet.

## Ladningsindikatorer

Hvis laderen oppdager et problem med en batteripakke, blinker ladningsindikatoren raskt.

- ◆ Hvis dette skjer, setter du inn igjen batteripakken (6).
- ◆ Hvis problemet vedvarer, setter du en annen batteripakke i laderen for å sjekke at laderen er ok.
- ◆ Hvis den nye batteripakken lades korrekt, er den opprinnelige batteripakken defekt og bør leveres til et servicesenter for resirkulering.
- ◆ Hvis den nye batteripakken gir samme indikasjon som den opprinnelige, bringer du laderen til et autorisert servicesenter for testing.

**Merknad:** Det kan ta så mye som femten minutter å avgjøre om en pakke er defekt.

Hvis batteripakken er for varm eller for kald, blinker LED-lampen alternativt raskt og langsomt, ett blink ved hver hastighet med gjentagelse.

## Forberedelser

- ◆ Rengjør enheten regelmessig som beskrevet i vedlikeholdsdelen, og rengjør spesielt under kjedetilgangsdekselet (11).
- ◆ Den nedre (2) og øvre kloen (1) er utformet slik at de lukkes når du slipper ett av håndtakene, eller når grenen som skal kuttes, er kuttet av. Hvis dette ikke skjer, må du slutte å bruke verktøyet og fjerne batteriet fra verktøyet.
- ◆ Kontroller om avfall blokkerer bevegelsen. I den forbindelse kan det være nødvendig å ta av kjedetilgangsdekselet (11). Hvis problemet fortsatt er der etter at verktøyet er montert på nytt, leverer du det til et autorisert verksted.

## Start og stopp

**Advarsel!** Ikke prøv å låse eller feste en bryterutløser i På-stilling.

Av hensyn til din sikkerhet er dette verktøyet utstyrt med et dobbelt brytersystem. Dette systemet hindrer at verktøyet startes ved et uhell.

## Slå på (figur I)

Pass på at du holder godt fast i håndtakene, og trykk deretter på begge bryterutløserne (5) for å slå på enheten.

## Slå av (figur I)

Slipp én av bryterne.

**Merknad:** Begge bryterne må være aktivert for at produktet skal kunne brukes.

Ikke tving verktøyet fremover. La det gjøre arbeidet selv. Det vil gjøre en bedre og tryggere jobb hvis du bruker det med den hastigheten det er utformet for. Hvis du bruker for mye makt, blir kjeden strukket.

Hvis sagkjeden (14) eller sverdet (3) setter seg fast:

- ◆ Slå av verktøyet.
- ◆ Fjern batteriet fra verktøyet.

Åpne kuttet med kiler for å løse klemmingen på sverdet. Ikke prøv å tvinge sagen fri. Start en ny kutting.

## Beskjære grener (figur J)

Undersøk at det ikke er noen lokale lover eller bestemmelser som forbyr eller styrer beskjæring av tregrener.

- ◆ Kontroller at verktøyet har nådd full hastighet før du kutter.
- ◆ Hold verktøyet fast for å unngå hopping eller sidelengs bevegelser i verktøyet.
- ◆ Før verktøyet fremover med et lett trykk.
- ◆ Kutt alltid ovenfra og nedover. På den måten vil du unngå å klemme kjeden (14).
- ◆ Ta bort grener som vist i figur J. Begynn med tuppen av grenen, og fjern grenen i logiske trinn ved å kutte av små deler.
- ◆ Ta verktøyet bort fra kuttet mens det kjører med full hastighet.

## Vedlikehold

Det nettdrevne/batteridrevne Black & Decker-apparatet/verktøyet er konstruert for å være i drift over lengre tid med et minimum av vedlikehold. Det er avhengig av godt vedlikehold og regelmessig rengjøring for å fungere som det skal til enhver tid.

**Advarsel!** Før du utfører noe vedlikehold på nettdrevne/batteridrevne verktøy:

- ◆ Slå av apparatet/verktøyet, og trekk ut støpselet
- ◆ Eller slå av apparatet/verktøyet, og fjern batteriet fra dette hvis apparatet/verktøyet har separat batteripakke
- ◆ Eller la batteriet gå helt tomt hvis det er innebygd, og slå deretter av
- ◆ Fjern laderen fra stikkkontakten før du rengjør regelmessig rengjøring.

Rengjør ventilasjonsåpningene i apparatet/verktøyet/laderen jevnlig med en myk børste eller tørr klut.

Rengjør motorhuset regelmessig med en ren, fuktig klut. Ikke bruk slipende eller løsemiddelbaserte rengjøringsmidler.

Åpne borelåsen regelmessig, og bank på den for å fjerne eventuelt støv fra innsiden (hvis det er aktuelt).

### Rengjøring

- ◆ Ta jevnlig bort kjedetilgangsdekslet (11) og fjern eventuelt avfall som har satt seg fast.
- ◆ Rengjør jevnlig ventilasjonssporene med en ren, tørr malerkost.
- ◆ Du rengjør verktøyet med en mild såpe og en fuktig klut. La det aldri sive væske inn i verktøyet, og senk aldri noen deler av verktøyet ned i væske.

### Oljing

- ◆ Smør smørepunktene (15) regelmessig, som angitt i figur D.

### Transport

- ◆ Transporter alltid verktøyet med klørne lukket og låsen (5) i låst stilling.

### Slipe kjedet

Hvis du vil ha best mulig ytelse fra verktøyet, er det viktig å holde kjedetennene skarpe. Du finner mer informasjon om dette i slipesettet. For dette anbefaler vi at du kjøper Black & Deckers slipesett for kjedesager A6039 (fås hos autoriserte Black & Decker-serviceverksteder og forhandlere).

### Skifte ut slitte sagkjeder

Nye sagkjeder kan fås hos forhandlere og autoriserte Black & Decker-serviceverksteder. Bruk alltid originale reservedeler.

### Kjedeskarpheit

Sagetennene på kjedet vil bli sløve med en gang hvis de berører bakken eller en spiker under bruk.

### Kjedestramming

Sjekk sagkjedestrammingen regelmessig.

### Hva som skal gjøres hvis kjedesagen må repareres

Dette verktøyet oppfyller relevante sikkerhetskrav. Reparasjoner må bare utføres av autoriserte Black & Decker-serviceverksteder som benytter originale reservedeler, ellers kan det være farlig å bruke utstyret. Vi anbefaler at du oppbevarer denne bruksanvisningen på et sikkert sted.

### Oppbevaring

Når verktøyet ikke skal brukes på flere måneder, smører du alle metalldelene med olje. Det beste er å ha batteriet (6) koblet til laderen.

Du går frem slik:

- ◆ Lad batteriet (6) fullstendig.
- ◆ Fjern batteriet (6) fra verktøyet.
- ◆ Oppbevar verktøyet og batteriet (6) på et sikkert og tørt sted. Temperaturen under oppbevaring må alltid være i området +5°C til +40°C. Plasser batteriet (6) på et flatt underlag.
- ◆ Før du bruker verktøyet etter lang tids oppbevaring, lader du batteriet (6) fullstendig igjen.

### Miljø



Separat fjerning. Dette produktet må ikke kastes sammen med husholdningsavfall.

Når Black & Decker-produktet er utslitt, skal det ikke kastes som husholdningsavfall. Dette produktet må kastes separat.



Hvis brukte produkter og emballasje leveres atskilt, kan materialer resirkuleres og brukes på nytt. Resirkulering av brukte produkter gir redusert miljøforurensing og mindre behov for råmaterialer.

Det kan være lokale bestemmelser for egen innsamling av elektriske produkter fra husstander, på kommunale avfallsplasser eller hos forhandleren når du kjøper et nytt produkt.

Black & Decker tar i mot brukte Black & Decker-produkter for resirkulering. Du kan levere produktet til et autorisert serviceverksted.

For informasjon om nærmeste autoriserte serviceverksted, kontakt ditt lokale Black & Decker-kontor på den adressen som er angitt i bruksanvisningen. Det finnes også en liste over autoriserte Black & Decker-serviceverksteder og opplysninger om ettersalgsservice og kontakter på Internett: [www.2helpU.com](http://www.2helpU.com).

### Batterier



Tenk på miljøet når batteriene er tomme og du skal kaste dem.

- ◆ Ikke kortslett batteripolene.
- ◆ Ikke kast batteriet på ild. Dette kan føre til personskade eller en eksplosjon.
- ◆ La batteriet gå helt tomt og fjern det så fra verktøyet.
- ◆ Batterier kan resirkuleres. Legg batteriet i egnet emballasje for å sikre at polene ikke kortsletter. Ta dem til et autorisert serviceverksted eller til nærmeste spesialavfallsstasjon.

**Tekniske data**

<b>GKC1000L H1</b>	
Spenning	V DC 18
Kjedehastighet (uten belastning)	m/min 1,9
Maksimal kuttediameter	mm 100
Vekt	kg 3,5

<b>Batteri A1518L</b>	
Spenning	V DC 18
Utgangsstrøm	A 3,7
Kapasitet	At 1,5
Batteri	Type Li-Ion
Vekt	kg 0,45

<b>Lader 9053954*</b>	
Inngangsspenning	V AC 230
Utgangsspenning	V DC 21
Utgangsstrøm	A 1,9
Tilnærmet ladningstid batteri på 1,5 At	t 1
Vekt	kg 0,5

Garantert lydtryknivå målt i henhold til 2000/14/EF:

$L_{pA}$  (lydtrykk) 85 dB(A), usikkerhet (K) 3 dB(A)

$L_{WA}$  (lydeffektnivå) 96 dB(A), usikkerhet (K) 3 dB(A)

$L_{WA}$  (garantert) 97 dB(A)

Totale vibrasjonsverdier (vektorsum fra tre retninger)  
bestemt i samsvar med EN 60745:

Kutting av nylig felt bløtt tre ( $a_{rh}$ ) = 3,8 m/s<sup>2</sup>,  
usikkerhet (K) = 1,5 m/s<sup>2</sup>

**Samsvarserklæring for EU**

MASKINERIDIREKTIV  
DIREKTIV FOR UTENDØRSSTØY



**GKC1000L**

Black & Decker erklærer at produktene som er beskrevet under "Tekniske data", er i samsvar med:

2006/42/EF

EN 60745-1

2000/14/EF, motorsag, vedlegg VI

Lydtryknivå i henhold til 2000/14/EF

$L_{WA}$  (målt lydeffektnivå) dB 85

$L_{WA}$  (garantert lydeffektnivå) dB 97

Du kan få mer informasjon ved å kontakte Black & Decker på følgende adresse eller på adressen på baksiden av håndboken.

Undertegnede er ansvarlig for utarbeidelsen av den tekniske dokumentasjonen og gir denne erklæringen på vegne av Black & Decker.

Kevin Hewitt  
Vice-President Global Engineering  
Black & Decker Europe,  
210 Bath Road, Slough,  
Berkshire, SL1 3YD  
Storbritannia  
22-02-2010

Alligator™-kutteren er underlagt patent- og designsøknader i Europa, USA og andre land over hele verden. ALLIGATOR er et varemerke for Black & Decker Corporation.

## Garanti

Black & Decker er trygg på kvaliteten til sine produkter og tilbyr en enestående garanti. Denne garantierklæringen kommer i tillegg til dine lovbestemte rettigheter, og er ikke i konflikt med disse. Garantien er gyldig i EU- og EFTA-medlemsstatene.

Hvis et Black & Decker-produkt går i stykker på grunn av material- og/eller fabrikkasjonsfeil eller har mangler i forhold til spesifikasjonene, innen 24 måneder fra kjøpet, påtar Black & Decker seg å skifte ut defekte deler, reparere produkter som har vært utsatt for alminnelig slitasje, eller bytte ut slike produkter med minst mulig vanskelighet for kunden, med mindre:

- ◆ produktet har vært brukt i yrkes-/næringsvirksomhet eller til utleie.
- ◆ produktet har vært utsatt for feilaktig bruk eller mislighold.
- ◆ produktet har blitt skadet av fremmede gjenstander eller stoffer eller ved et uhell.
- ◆ reparasjoner er forsøkt utført av andre enn autoriserte serviceverksteder eller Black & Deckers serviceteknikere.

For å ta garantien i bruk skal produktet og kjøpekvitteing leveres til forhandleren eller til et autorisert serviceverksted. For informasjon om nærmeste autoriserte serviceverksted, kontakt ditt lokale Black & Decker-kontor på den adressen som er angitt i bruksanvisningen. En oversikt over autoriserte serviceverksteder og opplysninger om ettersalgsservice og kontakter er også tilgjengelig på Internett: **www.2helpU.com**.

Besøk vårt webområde **www.blackanddecker.no** for å registrere ditt nye Black & Decker-produkt og for å holde deg oppdatert om nye produkter og spesialtilbud. Du finner mer informasjon om Black & Decker og produktutvalget vårt på **www.blackanddecker.no**.

## Anvendelsesområde

Din Black & Decker Alligator™ kopsav er designet til beskæring af grene på træer, savning af nedfaldne grene og savning af mindre kævlere på 25 mm til 100 mm i diameter, mens brugeren står på jorden. Værktøjet er kun beregnet til privat brug.

## Sikkerhedsvejledning

### Generelle sikkerhedsadvarsler for elværktøj



**Advarsel! Læs alle sikkerhedsadvarsler og alle anvisninger.** Hvis ikke alle anvisninger følges, er der risiko for elektrisk stød, brand og/eller alvorlige personskader.

### Gem alle advarsler og anvisninger til senere brug.

Begrebet "elværktøj", der benyttes i nedenstående advarsler, henviser til netdrevne (med netledning) eller batteridrevne (uden netledning) maskiner.

1. **Sikkerhed i arbejdsområdet**
  - a. **Sørg for, at arbejdsområdet er rent og ordentligt oplyst.** Uordentlige og uoplyste arbejdsområder øger risikoen for uheld.
  - b. **Brug ikke elværktøj i eksplosive omgivelser, f.eks. hvor der er brændbare væsker, gasser eller støv.** Elværktøj kan forårsage gnister, der kan antænde støv eller dampe.
  - c. **Hold børn og andre personer på afstand, når elværktøjet er i brug.** Hvis man distraheres, kan man miste kontrollen over maskinen.
2. **Elektricitet og sikkerhed**
  - a. **Elværktøjsstik skal passe til stikkontakten. Stikket må under ingen omstændigheder ændres. Brug ikke adapterstik sammen med jordforbundet elværktøj.** Uændrede stik, der passer til stikkontakterne, nedsætter risikoen for elektrisk stød.
  - b. **Undgå kropskontakt med jordforbundne overflader som f.eks. rør, radiatorer, jordfurer og køleskabe.** Hvis din krop er jordforbundet, øges risikoen for elektrisk stød.
  - c. **Elværktøj må ikke udsættes for regn eller fugt.** Indtrængen af vand i elværktøj øger risikoen for elektrisk stød.
  - d. **Undgå at ødelægge ledningen. Undgå at bære, trække eller afbryde elværktøjet ved at rykke i ledningen. Beskyt ledningen mod varme, olie, skarpe kanter eller maskindele, der er i bevægelse.** Beskadigede eller sammenfiltrede ledninger øger risikoen for elektrisk stød.
3. **Personlig sikkerhed**
  - a. **Vær opmærksom, hold øje med, hvad du laver, og brug elværktøjet fornuftigt. Brug ikke maskinen, hvis du er træt, har indtaget alkohol eller er påvirket af medicin eller euforiserende stoffer.** Få sekunders uopmærksomhed ved brug af elværktøjet kan medføre alvorlige personskader.
  - b. **Brug personlige værnemidler. Brug altid beskyttelsesbriller.** Brug af værnemidler som f.eks. støvmaske, skridsikert fodtøj, beskyttelseshjelm eller høreværn nedsætter risikoen for personskader, hvis udstyret anvendes korrekt.
  - c. **Sørg for, at værktøjet ikke kan starte utilsigtet. Kontroller, at startknappen ikke er aktiveret, inden apparatet tilsluttes strømkilden og/eller batteriet, samles op eller bæres.** Bæres elværktøj, mens fingeren er på kontakten, eller tilsluttes det, mens kontakten står på tændt, kan der nemt ske en ulykke.
  - d. **Fjern indstillingsværktøj eller skruenøgler, inden elværktøjet startes.** Et værktøj eller en nøgle, der efterlades i en roterende del i elværktøjet, kan resultere i personskader.
  - e. **Stræk dig ikke for langt. Sørg for, at du altid har sikkert fodfæste og balance.** Det gør det nemmere at styre elværktøjet, hvis der skulle opstå uventede situationer.
  - f. **Brug egnet arbejdstøj. Undgå løse beklædningsgenstande eller smykker. Hold hår, tøj og handsker væk fra dele, der bevæger sig.** Bevægelige dele kan gribe fat i løstsiddende tøj, smykker eller langt hår.
  - g. **Hvis støvudsugnings- og opsamlingsudstyr kan monteres, er det vigtigt, at dette tilsluttes og benyttes korrekt.** Brug af dette udstyr nedsætter risikoen for personskader som følge af støv.
4. **Brug og vedligeholdelse af elværktøj**
  - a. **Undgå at overbelaste elværktøjet. Brug altid det rette elværktøj til opgaven.** Med det rigtige elværktøj udføres arbejdet lettere og sikrere og i det tempo, som værktøjet er beregnet til.
- e. **Hvis elværktøj benyttes i det fri, skal der benyttes en forlængerledning, som er godkendt til udendørs brug.** Brug af en forlængerledning til udendørs brug nedsætter risikoen for elektrisk stød.
- f. **Brug en strømkilde med fejlstrømsbeskyttelse, hvis det er nødvendigt at anvende elværktøj på fugtige steder.** Med en fejlstrømsbeskyttelse reduceres risikoen for elektrisk stød.



- b. **Brug ikke elværktøjet, hvis startknappen er defekt.** Elværktøj, der ikke kan reguleres med startknappen, er farligt og skal repareres.
- c. **Træk stikket ud af stikkontakten og/eller batteriet inden indstilling, tilbehørsudskiftning eller opbevaring af elværktøjet.** Disse sikkerhedsforanstaltninger reducerer risikoen for utilsigtet start af værktøjet.
- d. **Opbevar ubenyttet elværktøj uden for børns rækkevidde. Lad aldrig personer, der ikke er fortrolige med elværktøj, eller som ikke har gennemlæst denne vejledning, benytte maskinen.** Elværktøj er farligt, hvis det benyttes af ukyndige personer.
- e. **Elværktøj bør vedligeholdes omhyggeligt. Kontroller, om bevægelige dele er skæve eller sidder fast, og om delene er brækkede eller beskadigede, så elværktøjets funktion påvirkes. Få beskadigede dele repareret, inden elværktøjet tages i brug.** Mange uheld skyldes dårligt vedligeholdt elværktøj.
- f. **Sørg for, at skæreværktøjer er skarpe og rene.** Omhyggeligt vedligeholdt skæreværktøjer med skarpe skærekanter sætter sig ikke så let fast og er nemmere at styre.
- g. **Brug elværktøjet, tilbehør, indsatsværktøj osv. i overensstemmelse med denne vejledning under hensyntagen til arbejdsforholdene og det arbejde, der skal udføres med værktøjet.** Ved brug af elværktøjet til andre formål end de tilsigtede, kan der opstå farlige situationer.
5. **Brug og vedligeholdelse af batteridrevet værktøj**
- a. **Genoplad kun med den lader, som producenten har angivet.** En lader, der er velegnet til én type batteripakke, kan udgøre en brandfare, hvis den bruges til en anden batteripakke.
- b. **Brug kun elværktøj sammen med batteripakker, der er specifikt beregnet hertil.** Brugen af andre batteripakker kan medføre personskade og brand.
- c. **Når batteripakken ikke er i brug, skal den holdes væk fra andre metalgenstande, f.eks. papirclips, mønter, nøgler, søm, skruer og andre små metalgenstande, som kan skabe forbindelse mellem de to poler.** Kortslutning af batteriet kan forårsage forbrændinger eller brand.
- d. **I visse situationer kan batteriet lække. Undgå kontakt. Skyl med vand i tilfælde af uheld. Søg læge, hvis væsken kommer i kontakt med øjnene.** Væske, der løber fra batteriet, kan forårsage irritation eller forbrændinger.

## 6. Service

**Lad kun kvalificerede fagfolk reparere elværktøjet, og brug kun originale reservedele.** Dermed opretholdes elværktøjets sikkerhed.

### Yderligere sikkerhedsadvarsler for elværktøj



**Advarsel!** Yderligere sikkerhedsadvarsler for Alligator™ kapsav.

**Advarsel!** Brug aldrig værktøjet over skulderhøjde. Stå altid på en sådan måde, at du er i sikkerhed for nedfaldende grene og trædele.

**Advarsel!** Brug ikke dette værktøj til fældning af træer.

- ◆ Hold altid enhver krops- og beklædningsdel borte fra savkæden. Hold værktøjet foran dig, og vær opmærksom på savkædens position, især hvis der saves grene tæt ved jorden. Før du starter, skal du sikre, at savkæden ikke rører ved noget.
- ◆ Planlæg på forhånd en sikker vej væk fra grene og trædele. Sørg for, at denne vej er fri for hindringer, der kan forhindre eller hæmme bevægelsesfriheden. Husk, at vådt græs og frisk bark er glat.
- ◆ Vær opmærksom på den retning, grene kan falde i. Tag alle forhold, som kan påvirke faldretningen, i betragtning, herunder:
  - Den tilsigtede faldretning.
  - Grenens naturlige hældning.
  - En usædvanligt tung stammestruktur eller forrådnelse.
  - Omkringstående træer og hindringer inkl. el-ledninger.
  - Vindens hastighed og retning.
- ◆ Sikkerhedsafstanden mellem en gren og trædele, der skal skæres ned, og omkringstående personer, bygninger og andre genstande skal være mindst 2/2 gange grenens længde. Omkringstående personer, bygninger eller genstande inden for denne afstand risikerer at blive ramt af den nedfaldende gren.
- ◆ Ved savning i en stammedel, der sidder i spænd, skal du være opmærksom på eventuel tilbagefjedring. Når spændingen i træfibrene udløses, kan den fjederbelastede stammedel ramme brugeren og/eller bringe værktøjet ud af kontrol.
- ◆ Brug altid egnet sikkerhedsudstyr som f.eks. skridsikert fodtøj, beskyttelseshjelm, sikkerhedsbriller, høreværn og handsker, når der arbejdes med værktøjet.
- ◆ Sørg for, at en anden person er i nærheden (på sikker afstand) i tilfælde af en ulykke.

- ◆ Forsøg ikke at betjene værktøjet, hvis du er oppe i et træ, står på en stige eller på noget andet ustabil.
- ◆ Sørg for, at du altid har sikkert fodfæste og balance.
- ◆ Hold værktøjet godt fast med begge hænder, når motoren kører.
- ◆ Sørg for, at håndtagene er tørre, rene og fri for olie og fedt. Fedtede og olerede håndtag er glatte, så du kan miste kontrollen.
- ◆ Lad ikke den kørende kæde komme i kontakt med nogen genstand ved spidsen af sværdet.
- ◆ Sørg for, at savkæden altid er strammet korrekt. Kontroller regelmæssigt kædens stramning, når motoren er stoppet, og ledningen er trukket ud af stikkontakten.
- ◆ Påbegynd og genoptag kun savningen, når kæden bevæger sig med maksimal hastighed.
- ◆ Pas på grene, der flytter sig, eller andre kræfter, der kan lukke savsporet og klemme eller falde ind i kæden.
- ◆ Udvis stor forsigtighed ved genoptagning af savning i et gammelt savspor. Lås spidserne på den nederste kæbe fast i træet, og lad kæden nå fuld hastighed, før der fortsættes med savningen.
- ◆ I tilfælde af anvendelse af dette værktøj til formål, der ligger uden for det tilsigtede anvendelsesområde, kan der opstå farlige situationer. Sav kun i træ. Anvend ikke dette værktøj til formål, det ikke er beregnet til, f.eks. savning i plastik, murværk eller byggemateriale, der ikke er af træ.
- ◆ Hvis fremmedlegemer sætter sig fast i afskærmningen eller værktøjet, skal arbejdet afbrydes, batteriet tages ud og fremmedlegemet fjernes.
- ◆ Slidte kæder og sværd skal udskiftes.
- ◆ Anvend kun sværd og kæder, som er godkendt af producenten.

## Andres sikkerhed

- ◆ Dette apparat er ikke beregnet til at blive brugt af personer (herunder børn) med nedsatte fysiske, sensoriske eller mentale evner eller manglende erfaring og viden, og mindre det sker under overvågning, eller der gives instruktion i brugen af apparatet af en person, der er ansvarlig for deres sikkerhed.
- ◆ Børn skal holdes under opsyn, så det sikres, at de ikke leger med værktøjet.

## Vibration

De angivne værdier for vibration anført under de tekniske data og i overensstemmelseserklæringen er målt i henhold til standardtestmetoden i EN 60745 og kan bruges til sammenligning af ét værktøj med et andet. Den angivne værdi for vibration kan også bruges som en foreløbig vurdering af eksponeringen.

**Advarsel!** Værdien for vibration ved faktisk brug af elværktøjet kan afvige fra den angivne værdi afhængig af måden, værktøjet anvendes på. Vibrationsniveauet kan overstige det angivne niveau.

I vurderingen af eksponeringen for vibration med henblik på fastsættelse af sikkerhedsforanstaltninger som krævet i 2002/44/EF til beskyttelse af personer, der jævnligt anvender elværktøj i deres arbejde, skal der tages hensyn til de faktiske betingelser under anvendelsen og den måde, værktøjet bruges på, herunder alle arbejds cyklussens elementer, f.eks. perioder, hvor værktøjet er slukket og kører i tomgang tillige med startperioderne.

## Mærkatér på værktøj

Der sidder følgende mærkatér på dit værktøj:



**Advarsel!** Brugeren skal læse brugervejledningen for at reducere risikoen for skader.



Anvend ikke saven under våde forhold, og udsæt den ikke for regn.



Brug altid hovedbeskyttelse, høreværn og sikkerhedsbriller.



Vær opmærksom på faldende genstande. Hold andre personer på afstand.



Anvend ikke saven, mens du står på stiger.



Kontroller kædens stramning hvert 10. minut under brug. Juster den tilbage til en frigang på 3 mm.



Smør kæden hvert 10. minut under brug.



Advarsel om ikke at berøre kæden ved spånudgangen.



Kædens bevægelsesretning.

## Restrisiko

Til trods for overholdelse af samtlige relevante sikkerhedsbestemmelser og anvendelse af sikkerhedsforholdsregler indebærer brugen af save til bearbejdning af træ en række restrisici, som ikke kan undgås. Disse er:

- ◆ Risiko for tilskadecomst på grund af kontakt med bevægelige dele, skarpe dele, varme dele, grene eller trædele, der falder ned på brugeren, andre personer eller ejendomme, og løse dele, der kastes ud af værktøjet.

- ◆ Risiko for tilskadekomst på grund af utilsigtet anvendelse, fald fra en stige eller arbejdsposition i et træ, skade på forsyningsledningen, anvendelse af værktøjet på våde eller farlige lokaliteter, børns eller svagelige personers anvendelse af produktet, undladelse af at bruge egnet udstyr til personbeskyttelse eller egnet påklædning, indånding af støv, som dannes ved savning i træ.

Ovenstående risici er søgt minimeret ved at medtage advarsler i sikkerhedsvejledningerne og/eller mærkater, der er sat på værktøjet.

## Yderligere sikkerhedsanvisninger for batterier og ladere

### Batteries

- ◆ Forsøg aldrig at åbne uanset årsag.
- ◆ Batteriet må ikke udsættes for fugt.
- ◆ Batteriet må ikke udsættes for varme.
- ◆ Opbevar ikke på steder, hvor temperaturen kan overstige 40°C.
- ◆ Fortag kun opladning ved omgivelsestemperaturer mellem 10°C og 40°C.
- ◆ Brug kun den oplader, der fulgte med apparatet/værktøjet, til opladning. Brug af en forkert lader kan medføre elektrisk stød eller overophedning af batteriet.
- ◆ Følg ved bortskaffelse af batterier vejledningen i afsnittet "Miljø".
- ◆ Undgå at beskadige/deformere batteripakken ved at punktere den eller slå på den, da dette kan forårsage risiko for tilskadekomst eller brand.
- ◆ Beskadigede batterier må ikke oplades.
- ◆ Under ekstreme forhold kan der forekomme batterilækage. Hvis du bemærker væske på batterierne, skal du forsigtigt tørre den af med en klud. Undgå kontakt med huden
- ◆ I tilfælde af kontakt med hud eller øjne, skal du følge nedenstående anvisninger.

**Advarsel!** Batterivæsken kan forårsage personskade eller materielle skader. I tilfælde af kontakt med huden skylles straks med vand. Søg læge, hvis der opstår rødme, smerte eller irritation. Skyl straks med rent vand, også glægt tilfælde af kontakt med øjnene.

### Ladere

Ladere er udviklet til en specifik spænding. Kontroller altid, at netspændingen svarer til spændingen på typeskiltet.

**Advarsel!** Forsøg aldrig at erstatte laderenheden med et almindeligt netstik.

- ◆ Brug kun din Black & Decker-lader til at oplade batteriet i det apparat/vrktj, som den blev leveret sammen med. Andre batterier kan eksplodere og forårsage personskade og materiel skade.
- ◆ Forsøg aldrig at oplade ikke-genopladelige batterier.

- ◆ Hvis netledningen beskadiges, skal den udskiftes af producenten eller et autoriseret Black & Decker-værksted, så farlige situationer undgås.
- ◆ Laderen må ikke udsættes for fugt.
- ◆ Laderen må ikke åbnes.
- ◆ Undersøg ikke laderen.
- ◆ Apparatet/værktøjet/batteriet skal anbringes et sted med god udluftning, når det oplades.

### Etiketter på laderen

Ladere er forsynet med følgende advarselssymboler:



Laderens basisenhed er dobbelt isoleret. Derfor er en jordledning ikke nødvendig. Kontroller altid, at strømforsyningen svarer til spændingen på typeskiltet.



Laderens basisenhed er kun beregnet til indendørs brug.



**Advarsel!** Brugeren skal læse brugervejledningen for at reducere risikoen for skader.

### Funktioner

1. Øverste kæbe
2. Nederste kæbe
3. Sværd
4. Smøreafdækning
5. Lås
6. Batteri
7. Afbryderaktuatorer
8. Spånudgang
9. Lader

### Montering

**Advarsel!** Tag batteriet (6) ud af værktøjet inden det samles.

#### Montering og afmontering af batteriet (fig. A)

- ◆ Anbring batteriet (6) ud for værktøjets fatning, når batteriet skal monteres. Lad batteriet (6) glide ind i fatningen, og skub, indtil batteriet (6) går på plads.
- ◆ Tryk på udløserknappen (18), og træk samtidigt batteriet (6) ud af fatningen for at tage batteriet (6) ud.

#### Montering af batterihætten (fig. K)

**Advarsel!** Sæt hætten (17) på batteriet (6) ved transport og opbevaring.

#### Åbning af håndtagene (fig. B)

- ◆ Skub låsen (5) tilbage, og træk håndtagene fra hinanden for at åbne dem.

- ◆ Luk håndtagene, og skub låsen (5) fremad til låst position efter brug. Håndtagene skal være låst under transport og opbevaring.

## Justering af kædens stramning (fig. C)

**Advarsel!** Kontroller, at værktøjet er slukket, og at batteriet er taget ud, inden kædens stramning justeres, eller der foretages anden justering.

**Advarsel!** Sværdet og savkæden kan være varme efter brug. Lad dem køle af, før der foretages justering.

Produktet leveres færdigsamlet. Det anbefales imidlertid at kontrollere savkædens stramning og skjoldets bolte før brug. Juster om nødvendigt.

## Kontrol og justering af kædens stramning (fig. C)

Savkædens (14) stramning justeres ved at løsne de to bolte, der holder skjoldet fast (12), vha. skruenøglen (13), hvorved kædejusteringsenheden skubber sværdet (3) ud, og den korrekte stramning indstilles. Spænd de to bolte (12) igen, så de sidder ordentligt fast.

Kontroller, at stramningen er korrekt ved at trække i savkæden (14). Stramningen er i orden, hvis savkæden springer tilbage efter af være trukket 3 mm fri af sværdet. Der må ikke være nogen "nedbøjning" mellem sværdet (3) og savkæden (14) på undersiden.

**Bemærk:** Savkæden må ikke strammes for meget, da det vil medføre kraftig slitage og forkorte sværdets og savkædens levetid. Dette vil desuden forringe produktets ydeevne.

**Bemærk:** Når saven bruges første gang, og når savkæden er ny, skal stramningen kontrolleres ofte, da nye savkæder strækker sig en smule.

## Udskiftning af savkæden og sværdet

Efter lang tids brug kan det være nødvendigt at udskifte savkæden (14) og/eller sværdet (3). Brug kun reservedele, der er godkendt af Black & Decker.

## Afmontering af savkæden og sværdet (fig. C og D)



Anvend altid beskyttelseshandsker ved montering og afmontering af savkæden (14). Savkæden er skarp, og man kan skære sig på den, selv om den ligger stille.

**Advarsel!** Sværdet og kæden kan være varme efter brug. Lad dem køle af før udskiftningen.

- ◆ Anbring værktøjet på en stabil overflade.
- ◆ Drej de to fastgøringsbolte (12) i retning mod uret vha. den medfølgende skruenøgle (13), og fjern dem helt.
- ◆ Fjern skjoldet over kæden (11).
- ◆ Sæt låsen (5) i oplåst position, åbn håndtagene, og træk den øverste kæbe (1) tilbage.

- ◆ Træk sværdet (3) tilbage, og løft derefter savkæden (14) ud af sporet i sværdet. Kæden kan derefter tages af enheden.
- ◆ Sværdet (3) kan derefter vinkles op og tages af.

## Samling af sværdet og savkæden (fig. E og F)

**Advarsel!** Anvend altid beskyttelseshandsker ved montering og afmontering af savkæden. Savkæden er skarp, og man kan skære sig på den, selv om den ligger stille.

- ◆ Udfør arbejdet på et stabilt underlag.
- ◆ Sæt låsen (5) i oplåst position, åbn håndtagene, og træk den øverste kæbe (1) tilbage.
- ◆ Sæt sværdet (3) ind i åbningen mellem kædestrammeren, og anbring det ud for sværdets lokaliseringsanordning, hvorefter sværdet (3) vinkles ned, idet det sikres, at placeringen er korrekt.
- ◆ Anbring savkæden (14) omkring sværdets forside (3).
- ◆ Træk sværdet (3) og savkæden (14) tilbage, idet kæden føres ind i sporet i sværdet (3) og derefter over tandhullet (16), så tænderne kommer til at sidde korrekt på tandhullet.
- ◆ Sæt skjoldet (11) på plads over kæden, og spænd fastgøringsboltene (12), så de sidder ordentligt fast.
- ◆ Kontroller, at savkæden (14) sidder rigtigt i forhold til markeringerne på værktøjet.

## Smøring (fig. G)

- ◆ Før første ibrugtagning og for hver 10 minutters brug skal produktet smøres med den foreskrevne kædeolie (Kat.-nr. A6027). Åbn smørefuldningen (4), og sæt flaskens studs ind i oliepåfyldningshullet (15). Tryk en enkelt gang på flasken for at fylde olie på.
- ◆ Afhængig af savehastigheden og træets type skulle dette være tilstrækkeligt til omkring 10 minutters savearbejde.

Fra hullet føres olien gennem savkæden til sværdet (3), og hvis der kommer for meget olie i værktøjet, kan der dryppe olie fra værktøjet omkring kæbeområdet. Dette er normalt og ingen grund til bekymring.

## Anvendelse

### Opladning af batteriet (fig. H)

**Advarsel!** Lad værktøjet arbejde i dets eget tempo, overbelast det ikke.

### Opladning

**Advarsel!** Oplad ikke batteriet ved omgivende temperaturer på under 10°C eller over 40°C. Den anbefalede opladningstemperatur er ca. 24°C.

**Bemærk:** Opladeren oplader ikke et batteri, hvis dets temperatur er under ca. 0°C eller over 60°C.

- ◆ Lad batteripakken blive siddende i opladeren, som automatisk begynder opladningen, når batteriets temperatur stiger eller falder.
- ◆ Tilslut laderen (9), og tænd på stikkontakten.
- ◆ Sæt batteripakken (6) i laderen. Kontroller, at batteripakken er sat helt ned i laderen (9).
- ◆ Ladeindikatoren blinker konstant.
- ◆ Opladningen er gennemført, når ladeindikatoren lyser konstant.
- ◆ Du kan lade batteripakken sidde i laderen med tændt LED, så længe det ønskes. Laderen "efterfylder" en gang imellem batteriet, hvorunder LED'en blinker (ladetilstand).
- ◆ Ladeindikatoren lyser, så længe batteripakken er tilsluttet til laderen, der er sat i stikkontakten.

Afladede batterier bør oplades inden 1 uge. Batterilevetiden afkortes kraftigt, hvis batteriet opbevares i afladet tilstand.

### Ladeindikatorer

Ladeindikatoren blinker hurtigt, hvis laderen registrerer et problem med batteripakken.

- ◆ Hvis det sker, skal du tage batteripakken (6) ud og sætte den i igen.
- ◆ Hvis det ikke løser problemet, skal du sætte den anden batteripakke i laderen for at finde ud af, om laderen er i orden.
- ◆ Hvis den nye batteripakke oplades korrekt, er den oprindelige batteripakke beskadiget og skal indleveres til genanvendelse på et servicecenter.
- ◆ Hvis den nye batteripakke giver samme fejlvisning som den oprindelige, skal laderen testes på et autoriseret servicecenter.

**Bemærk:** Det kan tage op til femten minutter at registrere, at batteripakken er beskadiget.

Hvis batteripakken enten er for varm eller for kold, blinker LED'en skiftevis hurtigt og langsomt med et blink ved hver frekvens, hvorefter sekvensen gentages.

### Klargøring

- ◆ Rengør apparatet regelmæssigt som beskrevet i afsnittet om vedligeholdelse, og vær især opmærksom på indersiden af skjoldet (11).
- ◆ Den nederste kæbe (2) og den øverste kæbe (1) skal lukke sammen, hvis et af håndtagene slippes, eller når grenen, der saves i, er savet igennem. Hvis dette ikke sker, skal anvendelsen af værktøjet straks afbrydes, og batteriet tages af værktøjet.
- ◆ Kontroller, om bevægelsen blokeres af fremmedlegemer. Her kan det være nødvendigt at fjerne skjoldet (11). Hvis problemet fortsat er til stede

efter samling af værktøjet, skal værktøjet indleveres til et autoriseret værksted.

### Start og stop

**Advarsel!** Forsøg aldrig at låse eller fastgøre en afbryderaktuator i den tændte position.

Værktøjet er af hensyn til din sikkerhed udstyret med et dobbelt afbrydersystem. Dette system forhindrer utilsigtet start af værktøjet.

### Start (fig. I)

Sørg for at have godt fat i håndtagene, og tryk derefter på begge afbryderaktuatorer (5) for at tænde apparatet.

### Stop (fig. I)

Slip en af afbryderne.

**Bemærk:** Begge afbrydere skal aktiveres, for at produktet kan bruges.

Overbelast ikke værktøjet – lad det gøre arbejdet.

Værktøjet arbejder bedre og sikrere med den hastighed, det er designet til. Overdreven kraftanvendelse vil strække savkæden.

Hvis savkæden (14) eller sværdet (3) kommer i klemme:

- ◆ Sluk værktøjet.
- ◆ Tag batteriet af værktøjet.

Åbn snittet med kiler for at fjerne belastningen fra sværdet. Forsøg ikke at rykke eller vride saven fri. Sav igen et nyt sted.

### Beskæring af grene (fig. J)

Undersøg, om lokale vedtægter eller bestemmelser forbyder eller begrænser beskæring af træer.

- ◆ Sørg for, at værktøjet kører ved fuld hastighed, før der skæres.
- ◆ Hold værktøjet godt fast for at undgå pludselig hoppen eller sideværts bevægelse af værktøjet.
- ◆ Værktøjet skal føres med et let tryk.
- ◆ Skær altid nedad oppefra. På den måde undgås det, at savkæden sætter sig fast (14).
- ◆ Fjern grene som vist i fig. K. Start i spidsen af grenen, og afkort den i logiske intervaller lidt ad gangen.
- ◆ Fjern værktøjet fra snittet, mens det kører med fuld hastighed.

### Vedligeholdelse

Dit Black & Decker-værktøj med/uden ledning er beregnet til brug gennem lang tid med et minimum af vedligeholdelse. Forsat tilfredsstillende drift afhænger af korrekt behandling af værktøjet samt regelmæssig rengøring.

**Advarsel!** Før udførelse af nogen form for vedligeholdelse på værktøjet med/uden ledning:

- ◆ Sluk, og tag apparatets/værktøjets stik ud af stikkontakten.
- ◆ Eller sluk og fjern batteriet fra apparatet/værktøjet, hvis det har en separat batteripakke.
- ◆ Eller aflad batteriet helt, hvis det er indbygget, og sluk derefter.
- ◆ Træk laderen ud af stikkontakten, før den rengøres. Laderen kræver ingen vedligeholdelse, men skal rengøres jævnligt.

Rengør jævnligt apparatets/værktøjets/laderens ventilationshuller med en blød børste eller en tør klud.

Rens med jævne mellemrum motorhuset med en fugtig klud. Der må ikke bruges skuremidler eller opløsningsmidler.

Åbn jævnligt patronen, og bank på den for at fjerne indvendigt støv (hvis monteret).

## Rengøring

- ◆ Tag jævnligt skjoldet (11) af, og fjern eventuelle fremmedlegemer, der har sat sig fast.
- ◆ Rengør regelmæssigt ventilationsåbningerne med en ren, tør pensel.
- ◆ Brug kun en mild sæbe og en fugtig klud til rengøring af værktøjet. Lad aldrig væske trænge ind i værktøjet, og nedsænk aldrig nogen del af værktøjet i væske.

## Smøring

- ◆ Smør regelmæssigt smørepunkterne (15), som det fremgår af figur D.

## Transport

- ◆ Transporter altid værktøjet med kæberne lukket og låsen (5) i låst position.

## Slibning af savkæden

Hvis værktøjet skal yde sit bedste, er det vigtigt at holde tænderne på savkæden skarpe. Du finder vejledningen til slibning på slibesættet. Til dette formål anbefaler vi Black & Decker slibesæt til savkæder A6039 (fås hos Black & Decker-forhandlere og andre udvalgte forhandlere).

## Udsiftning af slidte savkæder

Nye savkæder fås i detailhandelen eller hos Black & Decker-forhandlere. Brug altid originale reservedele.

## Savkædens skarphed

Skærerne på savkæden bliver øjeblikkeligt sløve, hvis de berører jorden eller et søm under savning.

## Savkædens stramning

Kontroller savkædens stramning regelmæssigt.

## Hvad du skal gøre, hvis kædesaven skal repareres

Dette værktøj overholder de relevante sikkerhedsforskrifter. Reparationer må kun foretages af en dertil kvalificeret person, som bruger originale reservedele. I modsat fald kan der opstå betydelig fare for brugeren. Vi anbefaler, at du opbevarer denne vejledning et sikkert sted.

## Opbevaring

Hvis værktøjet ikke skal bruges i en periode på flere måneder, skal metalkomponenterne aftørres med olie. Det bedste er at lade batteriet (6) forblive tilsluttet opladeren.

Fortsæt som følger:

- ◆ Oplad batteriet helt (6).
- ◆ Tag batteriet (6) af værktøjet.
- ◆ Opbevar værktøjet og batteriet (6) på et sikkert og tørt sted. Opbevaringstemperaturen skal ligge imellem +5°C og +40°C. Anbring batteriet (6) på en jævn overflade.
- ◆ Oplad batteriet (6) helt igen, inden værktøjet tages i brug efter længere tids opbevaring.

## Miljø



Separat bortskaffelse. Dette produkt må ikke bortskaffes sammen med almindeligt husholdningsaffald.

Når dit Black & Decker-produkt en dag er udtjent, eller du ikke længere har brug for det, må du ikke smide det ud sammen med det almindelige affald. Produktet skal bortskaffes separat.



Ved separat bortskaffelse af brugte produkter og emballage bliver der mulighed for at genanvende forskellige materialer. Genanvendelse af materialer medvirker til at forebygge miljøforurening og mindsker behovet for råstoffer.

Lokal lovgivning kan kræve separat indsamling af elektriske husholdningsapparater på kommunale affaldsdepoter eller af den detailhandlende ved køb af et nyt produkt.

Black & Decker sørger for at indsamle og genanvende Black & Decker-produkter, når disse ikke længere kan bruges. Hvis du vil benytte dig af denne service, skal du returnere produktet til et autoriseret værksted, der indsamler produkterne for os.

Kontakt det lokale Black & Decker-kontor på den adresse, der er angivet i denne vejledning, for at få oplysninger om det nærmeste autoriserede værksted. En liste over alle autoriserede Black & Decker-serviceværksteder samt servicevilkår og kontaktpersoner er tilgængelig på internettet på adressen: [www.2helpU.com](http://www.2helpU.com).

## Batterier



Når batterier er udtjente, skal de bortskaffes under passende hensyntagen til miljøet:

- ◆ Batteripolerne må ikke kortsluttes.
- ◆ Batteriet/batterierne må ikke kastes på ild, da dette kan medføre personskaade eller eksplosion.
- ◆ Afled batteriet helt, og tag det derefter ud af værktøjet.
- ◆ Batterier kan genbruges. Anbring batteriet/batterierne i en egnet emballage, så polerne ikke kortsluttes. Aflever dem på et autoriseret værksted eller en lokal genbrugsstation.

## Tekniske data

GKC1000L H1	
Spænding	Vdc 18
Kædehastighed (ubelastet)	m/min 1,9
Maks. skærediameter	mm 100
Vægt	kg 3,5

A1518L	
Spænding	Vdc 18
Udgangsstrømstyrke	A 3,7
Kapacitet	Ah 1,5
Batteri	Type Li-Ion
Vægt	kg 0,45

9053954*	
Indgangsspænding	Vac 230
Udgangsspænding	Vdc 21
Udgangsstrømstyrke	A 1,9
Omtrentlig opladningstid	
1,5 Ah batteri	timer 1
Vægt	kg 0,5

Garanteret lydtrykkniveau, målt i overensstemmelse med 2000/14/EF:

$L_{pA}$  (lydtryk) 85 dB(A), usikkerhed (K) 3 dB(A)

$L_{WA}$  (Lydeffekt) 96 dB(A), usikkerhed (K) 3 dB(A)

$L_{WA}$  (garanteret) 97 dB(A)

Samlede værdier for vibration (triaksial vektorsum) i henhold til EN 60745:

Savning i nyfældet, blødt træ ( $a_{ri}$ ) = 3,8 m/s<sup>2</sup>, usikkerhed (K) = 1,5 m/s<sup>2</sup>

**EU overensstemmelseserklæring**

MASKINDIREKTIV  
DIREKTIV FOR STØJ UDEN DØRE

**GKC1000L**

Black & Decker erklærer, at produkterne beskrevet under "Tekniske data" er i overensstemmelse med:

2006/42/EF

EN 60745-1

2000/14/EF, Kædesav, Annex VI

Lydtrykniveau i henhold til 2000/14/EF

L <sub>WA</sub> (målt lydeffekt)	dB	85
----------------------------------	----	----

L <sub>WA</sub> (garanteret lydeffekt)	dB	97
--	----	----

Kontakt Black & Decker på nedenstående adresse, eller se bagsiden af vejledningen.

Undertegnede er ansvarlig for udarbejdelsen af de tekniske data og fremsætter denne erklæring på vegne af Black & Decker.

Kevin Hewitt

Vice-President Global Engineering

Black &amp; Decker Europe,

210 Bath Road, Slough,

Berkshire, SL1 3YD

Storbritannien

22-02-2010

Alligator™-kapsaven er omfattet af patent- og designanmeldelser i Europa, USA og andre lande verden over. ALLIGATOR er et varemærke tilhørende Black & Decker Corporation.

**Garanti**

Black & Decker garanterer, at produktet er fri for materielle skader og/eller fabriktionsfejl ved levering til kunden. Garantien er et tillæg til forbrugers lovsikrede rettigheder og påvirker ikke disse. Garantien gælder inden for medlemsstaterne af Den Europæiske Union og i Det Europæiske Frihandelsområde.

Hvis et Black & Decker-produkt går i stykker på grund af materiel skade og/eller fabriktionsfejl eller på anden måde ikke fungerer i overensstemmelse med specifikationen inden for 24 måneder fra købsdatoen, påtager Black & Decker sig at reparere eller ombytte produktet med mindst mulig ulempe for kunden. Garantien gælder ikke for fejl og mangler, der er sket i forbindelse med:

- ◆ Produktet har været anvendt erhvervs-mæssigt eller til udlejning.
- ◆ Produktet har været anvendt forkert eller er ikke vedligeholdt.
- ◆ Produktet er beskadiget af fremmedlegemer, substanser eller pga. uheld.
- ◆ Garantien gælder ikke, hvis reparationer er udført af andre end et autoriseret Black & Decker-værksted.

For at udnytte garantien skal produktet og købskvitteringen indleveres til forhandleren eller til et autoriseret værksted. Kontakt det lokale Black & Decker-kontor på den adresse, der er opgivet i denne vejledning, for at få oplysninger om det nærmeste autoriserede værksted. En liste over alle autoriserede Black & Decker-serviceværksteder samt servicevilkår er tilgængelig på internettet på adressen: **www.2helpU.com**.

Gå venligst ind på vores website **www.blackanddecker.dk** for at registrere dit nye produkt og for at blive holdt ajour om nye produkter og specialtilbud. Der findes yderligere oplysninger om mærket Black & Decker og vores produktsortiment på adressen **www.blackanddecker.dk**.



## Käyttötarkoitus

Black & Decker Alligator™ -oksatrimmeri on tarkoitettu puiden oksien karsimiseen, pudonneiden oksien katkaisemiseen ja pienten, halkaisijaltaan 25–100 mm:n halkojen katkaisemiseen käyttäjän seistessä maassa. Kone on tarkoitettu kotikäyttöön.

## Turvallisuusohjeet

### Sähkötyökalujen yleiset turvavaroitukset



**Varoitus! Lue kaikki turvavaroitukset ja ohjeet.**

Ohjeiden noudattamisen laiminlyönti saattaa johtaa sähköiskuun, tulipaloon ja/tai vakavaan loukkaantumiseen.

### Säästä kaikki varoitukset ja ohjeet tulevaa käyttöä varten.

Ohjeissa käytetty käsite "sähkötyökalu" tarkoittaa verkkokäyttöisiä sähkötyökaluja (verkkojohdolla) ja akkukäyttöisiä sähkötyökaluja (ilman verkkojohtoa).

#### 1. Työalueen turvallisuus

- Pidä työalue puhtaana ja hyvin valaistuna.** Työpaikan epäjärjestys ja valaisemattomat työalueet voivat johtaa tapaturmiin.
- Älä käytä sähkötyökalua räjähdysalttiissa ympäristössä, jossa on palavaa nestettä, kaasua tai pölyä.** Sähkötyökalu muodostaa kipinöitä, jotka saattavat sytyttää pölyn tai höyryt.
- Pidä lapset ja sivulliset loitolla sähkötyökalua käyttäessäsi.** Voit menettää laitteen hallinnan, jos huomiosi suuntautuu muualle.

#### 2. Sähköturvallisuus

- Sähkötyökalun pistokkeen tulee sopia pistorasiaan.** Pistoketta ei saa muuttaa millään tavalla. Älä käytä mitään pistorasiasovittimia maadoitettujen sähkötyökalujen kanssa. Alkuperäiset pistokkeet ja niille sopivat pistorasiat vähentävät sähköiskun vaaraa.
- Vältä koskettamasta maadoitettuja pintoja, kuten putkia, pattereita, liesiä tai jääkaappeja.** Sähköiskun vaara kasvaa, jos kehosi on maadoitettu.
- Älä altista sähkötyökalua sateelle tai kosteudelle.** Veden tunkeutuminen sähkötyökalun sisään kasvattaa sähköiskun riskiä.
- Älä käsittele virtajohtoa kovakouraisesti. Älä käytä sitä sähkötyökalun kantamiseen, vetämiseen tai pistokkeen irrottamiseen pistorasiasta. Pidä johto loitolla kuumuudesta, öljystä, terävistä reunoista ja liikkuvista osista.** Vahingoittuneet tai sotkeutuneet johdot lisäävät sähköiskun vaaraa.

- Käyttäessäsi sähkötyökalua ulkona käytä ainoastaan ulkokäyttöön soveltuvaa jatkojohtoa.** Ulkokäyttöön soveltuvan jatkojohdon käyttö pienentää sähköiskun vaaraa.
- Jos sähkötyökalua on välttämättä käytettävä kosteassa paikassa, käytä jäännösvirtalaitteella (RCD) suojattua virtalähdettä.** Jäännösvirtalaitteen käyttö vähentää sähköiskun vaaraa.

#### 3. Henkilöturvallisuus

- Keskity työskentelyysi ja noudata tervettä järkeä käyttäessäsi sähkötyökaluja. Älä käytä sähkötyökalua, jos olet väsynyt tai huumeiden, alkoholin tai lääkkeiden vaikutuksen alaisena.** Hetken tarkkaamattomuus sähkötyökalua käytettäessä saattaa johtaa vakavaan loukkaantumiseen.
  - Käytä henkilökohtaisia suojavarusteita. Käytä aina suojalaseja.** Suojavarusteet, kuten hengityssuojain, luistamattomat turvajalkineet, kypärä ja kuulosuojaimet, pienentävät loukkaantumiskiriskiä, jos niitä käytetään tilanteen mukaan oikein.
  - Vältä tahatonta käynnistämistä. Varmista, että kytkin on off-asennossa, ennen kuin liität laitteen virtalähteeseen ja/tai akkuun, nostat laitteen tai kannat sitä.** Onnettomuusvaara lisääntyy, jos kannat sähkötyökalua sormi käyttökytkimellä tai kytket työkalun virtajohdon pistorasiaan, kun käyttökytkin on päällä.
  - Irrota mahdollinen säätö- tai kiintoavain, ennen kuin käynnistät sähkötyökalun.** Sähkötyökalun pyöriivään osaan kiinni jäänyt avain voi johtaa loukkaantumiseen.
  - Älä kurkota liian kauas. Seiso aina tukevasti ja tasapainossa.** Tällöin voit paremmin hallita sähkötyökalua yllättävissä tilanteissa.
  - Käytä tarkoitukseen soveltuvia vaatteita. Älä käytä löysiä työvaatteita tai koruja. Pidä hiukset, vaatteet ja käsiineet loitolla liikkuvista osista.** Väljät vaatteet, korut ja pitkät hiukset voivat takertua liikkuviin osiin.
  - Jos saahan voi kiinnittää purunkerääjän tai -imurin, tarkista, että se on paikallaan ja että se toimii kunnolla.** Näiden laitteiden käyttö vähentää pölyhaittoja.
- #### 4. Sähkötyökalujen käyttö ja hoito
- Älä ylikuormita laitetta. Käytä kyseiseen työhön tarkoitettua sähkötyökalua.** Sopivaa sähkötyökalua käyttäen työskentelet paremmin ja turvallisemmin tehoalueella, jolle sähkötyökalu on tarkoitettu.
  - Älä käytä sähkötyökalua, jota ei voida käynnistää ja pysäyttää virtakytkimestä.** Jos sähkötyökalua ei voi käynnistää ja pysäyttää virtakytkimellä, se on vaarallinen ja se täytyy korjata.

- c. **Irrota pistotulppa pistorasiasta ja/tai akku laitteesta, ennen kuin suoritat säätöjä, vaihdat tarvikkeita tai siirrätk sähkötyökalun varastoitavaksi.**

Nämä turvatoimenpiteet pienentävät sähkötyökalun tahattoman käynnistämisen riskiä.

- d. **Säilytä sähkötyökalut poissa lasten ulottuvilta, kun niitä ei käytetä. Älä anna sähkötyökalua sellaisen henkilön käyttöön, joka ei tunne sitä tai joka ei ole tutustunut tähän käyttöohjeeseen.** Sähkötyökalut ovat vaarallisia kokemattoman käyttäjän käsissä.

- e. **Hoida sähkötyökalusi huolella. Tarkista, että liikkuvat osat toimivat moitteettomasti ja etteivät ne ole puristuksessa. Tarkista myös, ettei työkalussa ei ole murtuneita tai vahingoittuneita osia, jotka saattaisivat vaikuttaa haitallisesti sen toimintaan. Korjauta mahdolliset viat ennen käyttöönottoa.** Moni tapaturma aiheutuu huonosti huolletuista laitteista.

- f. **Pidä leikkausterät terävinä ja puhtaina.** Huolellisesti hoidettu, terävä leikkausterä ei tartu herkästi kiinni, ja sitä on helpompi hallita.

- g. **Käytä sähkötyökaluja, tarvikkeita, vaihtotyökaluja jne. näiden ohjeiden mukaisesti. Ota tällöin huomioon työolosuhteet ja suoritettava toimenpide.** Sähkötyökalun käyttö muuhun kuin sille määrättyyn käyttöön saattaa johtaa vaarallisiin tilanteisiin.

## 5. Akkukäyttöisten työkalujen käyttö ja hoito

- a. **Lataa akku vain valmistajan määrittelemässä laturissa.** Laturi, joka soveltuu määrätyn tyyppiselle akulle, saattaa muodostaa tulipalovaaran erilaista akkua ladattaessa.

- b. **Käytä sähkötyökalussa ainoastaan kyseiseen sähkötyökaluun tarkoitettua akkua.** Muun tyyppisen akun käyttö saattaa johtaa loukkaantumiseen ja tulipaloon.

- c. **Suojaa akkua irrallisilta metalliesineiltä, kuten paperinliittimiltä, kolikoilta, avaimilta, nautoilta ja ruuveilta, jotka voivat aiheuttaa akkuun oikosulun.** Akun koskettimien välinen oikosulku saattaa aiheuttaa palovammoja tai tulipalon.

- d. **Väärin käytetystä akusta voi vuotaa nestettä. Älä kosketa sitä. Jos nestettä pääsee vahingossa iholle, huuhtele kosketuskohta vedellä. Jos nestettä pääsee silmiin, tarvitaan lisäksi lääkärin apua.** Akusta vuotava neste saattaa aiheuttaa ärsytystä ja palovammoja.

## 6. Huolto

**Anna koulutettujen ja ammattitaitoisten henkilöiden korjata sähkötyökalusi ja hyväksy korjauksiin vain alkuperäisiä varaosia.** Näin varmistat, että sähkötyökalu säilyy turvallisena.

## Sähkötyökalujen lisäturvavaroitukset



**Varoitus!** Lisäturvavaroitukset Alligator™-oksatrimmerille.

**Varoitus!** Älä käytä konetta olkapäiden tasoa korkeammalla. Pysytele poissa putoavien oksien, lehvästön ja roskien alta.

**Varoitus!** Älä kaada puita tällä työkalulla.

- ♦ Pidä kehon osat ja vaatteet aina loitolla teräketjusta. Pidä työkalua edessäsi ja huomioi teräketjun asento etenkin katkaistessasi lähellä maanpintaa olevia oksia. Ennen virran kytkentää varmista, että teräketju ei kosketa mihinkään esineeseen.
- ♦ Suunnittele etukäteen väistämissuuntasi pois putoavien oksien ja roskien alta. Varmista, että aikomassasi väistämissuunnassa ei ole siirtymistä rajoittavia esteitä. Muista, että märkä ruoho ja juuri irronnut puunkuori on liukasta.
- ♦ Huomioi suunta, johon oksa voi pudota. Mieti etukäteen kaikkia putoamissuuntaan vaikuttavia tilanteita, joita ovat esimerkiksi seuraavat:
  - suunta, johon oksan pitäisi pudota
  - puun kallistuma
  - poikkeuksellisen raskaat oksat tai lahot kohdat
  - ympäröivät puut ja esteet, myös yli kulkevat jännitteiset johdot
  - tuulen nopeus ja suunta.
- ♦ Turvallinen etäisyys katkaistavan oksan ja lehvästön sekä sivullisten, rakennusten ja muiden rakenteiden välillä on vähintään 2,5 kertaa oksan pituus. Putoavat oksat voivat osua tätä etäisyyttä lähempänä oleviin sivullisiin, rakennuksiin tai muihin rakenteisiin aiheuttaen vaaratilanteita.
- ♦ Ole varovainen katkaistessasi jännittyneenä olevaa oksaa, sillä se saattaa ponnahtaa yllättävään suuntaan. Kun puun kuituihin kohdistunut jännitys laukeaa, ponnahtava oksa voi osua käyttäjään ja/tai työkaluun ja aiheuttaa hallinnan menetyksen.
- ♦ Käyttäessäsi työkalua pidä aina ylläsi tilanteen edellyttämiä suojavarusteita, kuten luistamattomia turvajalkineita, kypärää, suojalaseja, kuulosuojaimia ja hansikkaita.
- ♦ Pyydä aina toista henkilöä olemaan lähistöllä (turvallisen etäisyyden päässä) onnettomuustilanteen varalta.
- ♦ Älä yritä käyttää työkalua ollessasi puussa, tikapuilla tai seistessäsi epävakaalla telineellä.
- ♦ Seiso aina tukevasti ja tasapainossa.
- ♦ Pidä työkalusta kiinni tukevasti molemmin käsin moottorin käydessä.
- ♦ Kahvojen tulee olla kuivat, puhtaat ja rasvattomat. Rasvaiset tai öljyiset kahvat ovat liukkaat, ja ote heltiää niistä helposti.

- ◆ Ketjun pyöriessä varo, ettei terälevyn kärki osu mihinkään kohteeseen.
- ◆ Pidä teräketju oikealla kireydellä. Tarkista kireys säännöllisesti moottori pysäytettynä ja virtajohto irrotettuna.
- ◆ Aloita katkaisu ja työskentele vain ketjun pyöriessä täydellä nopeudella.
- ◆ Tarkkaile oksan liikkeitä, sillä katkaisukohtaan saattaa kohdistua voimaa, joka johtaa terän takertumiseen katkaisukohtaan.
- ◆ Ole erittäin varovainen jatkaessasi katkaisua aikaisemmin aloitetusta kohdasta. Tartu alaleuan piikeillä puusta ja jatka katkaisua vasta kun saha on saavuttanut täyden käyntinopeuden.
- ◆ Tämän työkalun käyttö muuhun kuin sille määrättyyn käyttöön saattaa johtaa vaarallisiin tilanteisiin. Käytä työkalua vain oksien ja ohuiden puiden katkaisuun. Älä käytä työkalua muihin tarkoituksiin. Älä katkaise sillä esimerkiksi muovi-, tiili- tai harkkomateriaaleja tai mitään rakennusmateriaalia, joka ei ole puuta.
- ◆ Jos suojukseen tai työkaluun tarttuu roskaa, lopeta käyttö, irrota akku ja poista roskat.
- ◆ Uusi kulunut teräketju ja terälevy viipymättä.
- ◆ Käytä varaosina vain valmistajan suosittelemia levyjä ja ketjuja.

### Muiden turvallisuus

- ◆ Tätä työkalua ei ole tarkoitettu sellaisten henkilöiden käyttöön, joilla on fyysisiä tai älyllisiä rajoitteita tai aistirajoitteita, eikä laitteen toimintaan perehtymättömien henkilöiden käyttöön (lapset mukaan luettuina), paitsi valvonnan alaisina tai jos he ovat saaneet laitteen käyttöön liittyvää opastusta heidän turvallisuudestaan vastaavalta henkilöltä.
- ◆ Lapsia on valvottava ja estettävä leikkimästä laitteella.

### Tärinä

Teknisissä tiedoissa ja yhdenmukaisuusilmoituksessa ilmoitettu tärinäpäästöarvo on mitattu EN 60745 -standardin testausmenetelmän mukaisesti, ja sen avulla voidaan vertailla työkaluja keskenään. Ilmoitettua tärinäpäästöarvoa voidaan käyttää myös altistumisen alustavaan arviointiin.

**Varoitus!** Sähkötyökalun käytön aikana mitattu todellinen tärinäpäästöarvo voi poiketa ilmoitetusta tärinäpäästöarvosta työkalun käyttötavan mukaan. Tärinätaso voi olla ilmoitettua tasoa suurempi.

Kun tärinälle altistumista arvioidaan sen määrittämiseksi, mitä direktiivin 2002/44/EY mukaisia turvatoimenpiteitä vaaditaan sähkötyökaluja säännöllisesti käyttävien henkilöiden suojelemiseksi, tärinälle altistumisen arvioinnissa on otettava huomioon todelliset käyttöolosuhteet ja työkalun käyttötavat. Todellisen käytön lisäksi on kiinnitettävä huomiota myös siihen, milloin työkalu on sammutettuna tai se käy tyhjänä.

### Laitteissa olevat merkinnät

Työkalussa on seuraavat merkinnät:



**Varoitus!** Käyttäjän on luettava käyttöopas vahinkojen välttämiseksi.



Älä käytä sahaa sateella tai kosteassa.



Käytä aina kypärää, kuulosuojaimia ja suojalaseja.



Varo putoavia esineitä.



Pidä sivulliset loitolla.



Älä käytä työkalua tikapuilla.



Tarkista ketjun kireys 10 minuutin välein. Säädä väljyksi 3 mm.



Lisää ketjun voiteluöljyä aina 10 minuutin käytön jälkeen.



**Varoitus:** älä pidä kättä lastujen poistoaukon kohdalla.



Ketjun pyörimissuunta.

### Jäännösriski

Asiaan kuuluvien turvamääräysten noudattamisesta ja turvatoimien toteuttamisesta huolimatta puunkatkaisusahojen käyttöön liittyviä jäännösriskejä, joita ei voi välttää. Niitä ovat seuraavat:

- ◆ Loukkaantumisvaara, jonka aiheuttaa jokin seuraavista: kosketuksiin joutuminen liikkuvien esineiden, terävien esineiden tai kuumien osien kanssa; käyttäjän, sivullisten tai omaisuuden päälle putoavat oksat tai roskat; koneesta lennähtävät roskat.
- ◆ Loukkaantumisvaara, jonka aiheuttaa jokin seuraavista: käyttö muussa kuin mainitussa käyttötarkoituksessa; putoaminen tikapuilta tai työasennosta puusta; virtajohdon vaurioituminen; laitteen käyttäjän nuori ikä tai heikko kunto; laiminlyönnyt asianmukaisten

henkilökohtaisten suojarusteiden tai -vaatetuksen käytössä; katkaistavasta puusta tulevan pölyn hengittäminen.

Edellä mainittuja vaaratilanteita koskevat varoitukset on lisätty turvaohjeisiin ja/tai vastaavat merkinnät on lisätty työkaluun.

## Akkuja ja laturia koskevat turvaohjeet

### Akku

- ◆ Älä koskaan yritä avata akkua.
- ◆ Älä anna akun kastua.
- ◆ Älä altista akkua kuumuudelle.
- ◆ Älä säilytä akkuja tiloissa, joissa lämpötila voi nousta yli 40°C:een.
- ◆ Lataa akku paikassa, jonka lämpötila on vähintään +10°C ja enintään +40°C.
- ◆ Käytä vain laitteen/työkalun mukana toimitettua laturia. Vääränlaisen laturin käyttö voi aiheuttaa sähköiskun tai akun ylikuumentumisen.
- ◆ Noudata akkuja hävittäessäsi kohdassa Ympäristönsuojelu annettuja ohjeita.
- ◆ Suojaa akkua vahingoittumiselta niin, ettei sen kotelo rikkoudu eikä siihen kohdistu iskuja, sillä muutoin voisyntyä henkilövahinkojen ja tulipalon vaara.
- ◆ Älä lataa viallisia akkuja.
- ◆ Vaativissa oloissa voi ilmetä akkuvuotoja. Jos huomaat nestettä akkujen pinnalla, pyyhi neste varovasti pois liinalla. Vältä ihokosketusta.
- ◆ Jos nestettä joutuu silmiin tai iholle, noudata alla olevia ohjeita.

**Varoitus!** Akkuneste voi aiheuttaa henkilövahinkoja tai aineellisia vahinkoja. Jos nestettä joutuu iholle, se on välittömästi huuhdeltava pois vedellä. Jos ihoa kirvelee taiese punoittaa tai on muuten ärtynyt, kysy lisäohjeita lääkäreiltä. Jos nestettä joutuu silmiin, huuhto välittömästi puhtaalla vedellä ja mene lääkäriin.

### Laturi

Laturi on tarkoitettu tietyille jännitteelle. Tarkista aina, että verkkojännite vastaa arvokilvessä ilmoitettua jännitettä.

**Varoitus!** Älä yritä korvata laturiyksikköä tavallisella verkkopistokkeella.

- ◆ Käytä Black & Deckerin laturia vain laitteen/työkalun mukana toimitetun akun lataamiseen. Muut akut voivat räjähtää ja aiheuttaa henkilövahinkoja tai aineellisia vahinkoja.
- ◆ Älä koskaan yritä ladata paristoja, joita ei ole tarkoitettu ladattaviksi.
- ◆ Jos virtajohto vahingoittuu, sen vaihtaminen tulee turvallisuussyistä jättää valmistajan tai valtuutetun Black & Decker -huollon tehtäväksi.
- ◆ Älä altista laturia vedelle.

- ◆ Älä avaa laturia.
- ◆ Älä työnnä mitään laturin sisään.
- ◆ Lataa laite/työkalu/akku paikassa, jossa on kunnollinen ilmanvaihto.

### Laturin merkinnät

Laturissa on seuraavat merkinnät:



Laturi on kaksoiseristetty, joten erillistä maadoitusta ei tarvita. Tarkista aina, että virtalähde vastaa arvokilvessä ilmoitettua jännitettä.



Laturi on tarkoitettu ainoastaan sisäkäyttöön.



**Varoitus!** Käyttäjän on luettava käyttöopas vahinkojen välttämiseksi.

### Yleiskuvasu

1. Yläleuka
2. Alaleuka
3. Terälevy
4. Voiteluöljysäiliön kansi
5. Salpa
6. Akku
7. Virtakytkimet
8. Puruaukko
9. Laturi

### Kokoaminen

**Varoitus!** Irrota akku (6) aina ennen kokoamista.

### Akun kiinnittäminen ja irrottaminen (kuva A)

- ◆ Kiinnitä akku (6) asettamalla se koneen liitännän kanssa samaan linjaan. Liu'uta akkua (6) liitäntään, kunnes se lukittuu paikalleen.
- ◆ Irrota akku (6) painamalla vapautuspainiketta (18) samalla kun vedät akkua (6) irti.

### Akun kannen kiinnittäminen (kuva K)

**Varoitus!** Kiinnitä kansi (17) akkuun (6) kuljetusta ja säilytystä varten.

### Kahvojen avaaminen (kuva B)

- ◆ Avaa kahvat työntämällä salpaa (5) taaksepäin ja vetämällä kahvat toisistaan erilleen.
- ◆ Sulje kahvat käytön jälkeen ja työnnä salpa (5) eteen lukitusasentoon. Kahvat on lukittava kuljetuksen ja säilytyksen ajaksi.

### Ketjun kireyden säätö (kuva C)

**Varoitus!** Ennen ketjun ja muiden osien säätöä varmista, että laitteen virta ei ole kytkettynä ja että akku on irrotettu. **Varoitus!** Terälevy ja -ketju voivat olla käytön jälkeen kuumia. Anna niiden jäähtyä ennen säätämistä.

Tuote toimitetaan valmiiksi koottuna. Suosittelemme teräketjun (14) kireyden ja tarvitsuojuksen pidäkemuttereiden tiukkuuden tarkastusta ja tarvittaessa niiden säätöä ennen laitteen käyttööntoimittamista.

### Teräketjun kireyden tarkastus ja säätö (kuva C)

Kiristä teräketju (14) löysäämällä ketjunsuojuksen molemmat pidäkepultit (12) työkaluavaimella (13). Ketjunkiristin työntää terälevyn (3) ulos ja säätää kireyden oikeaksi. Kiristä pidäkepultit (12) tiukasti kiinni.

Tarkasta, että kireyssäätö on oikea vetämällä teräketjusta (14) kevyesti. Kireys on oikea, kun teräketjua voi nostaa terälevystä irti 3 mm ja vapauttamisen jälkeen ketju napsahtaa takaisin vasten levyä. Teräketju (14) ei saa roikkua terälevyn (3) alapuolella.

**Huomautus:** Älä kiristä teräketjua liian tiukalle, koska tällöin levy ja teräketju kuluvat loppuun ennenaikaisesti. Lisäksi tuotteen toimintakyky heikentyy.

**Huomautus:** Käyttäessäsi tuotetta ensimmäistä kertaa ja teräketjun uusimisen jälkeen tarkista kireys säännöllisesti, koska uusi teräketju venyy hieman.

### Teräketjun ja -levyn uusiminen

Pitkän käytön jälkeen teräketju (14) ja/tai terälevy (3) on uusittava. Käytä ainoastaan Black & Deckerin suosittelemia varaosia.

### Teräketjun ja -levyn irrottaminen (kuvat C ja D)



Pidä aina suojakäsineitä asentaessasi tai irrottaessasi teräketjua (14). Teräketju on terävä ja voi aiheuttaa haavan myös liikkumattomana.

**Varoitus!** Terälevy ja -ketju voivat olla käytön jälkeen kuumia. Anna niiden jäähtyä ennen käsittelyä.

- ◆ Aseta työkalu tukevalle ja tasaiselle pinnalle.
- ◆ Irrota molemmat pidäkepultit (12) kiertämällä niitä työkaluavaimella (13) vastapäivään.
- ◆ Irrota teräsuojus (11).
- ◆ Työnnä salpa (5) avausasentoon, avaa kahvat ja vedä yläleuka (1) taakse.
- ◆ Vedä terälevy (3) taakse ja nosta teräketju (14) irti levyn urasta. Tämän jälkeen teräketjun voi nostaa pois laitteesta.
- ◆ Nyt terälevyn (3) voi nostaa paikaltaan kallistamalla sitä etuosasta ylöspäin.

### Teräketjun ja -levyn kokoaminen (kuvat E ja F)

**Varoitus!** Pidä aina suojakäsineitä asentaessasi tai irrottaessasi teräketjua. Teräketju on terävä ja voi aiheuttaa haavan myös liikkumattomana ollessaan.

- ◆ Kokoa laite vain tukevalle ja tasaisella pinnalla.

- ◆ Työnnä salpa (5) avausasentoon, avaa kahvat ja vedä yläleuka (1) taakse.
- ◆ Työnnä terälevy (3) ketjunkiristimen välissä olevaan tilaan, kohdistusta se terälevyn tunnistimeen ja kallista terälevy (3) alaspäin varmistaaksesi, että se on oikeassa paikassa.
- ◆ Aseta sahanterä (14) terälevyn (3) etuosan ympärille.
- ◆ Vedä terälevy (3) ja teräketjua (14) taaksepäin, pujota teräketju terälevyn (3) uraan ja sitten vetopyörän (16) yli kohdistuen teräketjun hampaat oikeassa asennossa vetopyörälle.
- ◆ Asenna teräsuojus (11) ja pidäkepultit (12). Kiristä mutterit tiukasti kiinni.
- ◆ Varmista, että teräketju (14) on asennettu työkalussa olevien merkkien mukaisesti.

### Voitelu (kuva G)

- ◆ Laitteeseen on lisättävä ketjunvoiteluöljyä (osanumero A6027) ennen ensimmäistä käyttökertaa ja käytön aikana kymmenen minuutin välein. Avaa öljysäiliön kansi (4) ja aseta öljypullon kärki öljyntäyttöaukkoon (15). Lisää öljyä puristamalla pulloa yhden kerran.
- ◆ Tämä riittää normaalisti noin 10 minuutin käyttöön, mutta käyttöaika voi vaihdella katkaisunopeuden ja puun tyyppin mukaan.

Öljyä kulkeutuu aukon kautta teräketjulle ja terälevylle (3). Liikaöljy voi valua leukojen alueelle. Tämä on normaalia, eikä siitä tarvitse huolestua.

### Käyttö

#### Akun lataaminen (kuva H)

**Varoitus!** Anna koneen käydä omaan tahtiinsa.

Älä ylikuormita sitä.

#### Lataaminen

**Varoitus!** Älä lataa akkua alle 10°C:n tai yli 40°C:n lämpötilassa. Suositeltava latauslämpötila on 24°C.

**Huomautus:** Laturi ei lataa akkua, jos akun kennon lämpötila on alle 0°C tai yli 60°C.

- ◆ Jätä akku laturiin. Laturi aloittaa lataamisen automaattisesti, kun kennon lämpötila nousee tai laskee riittävästi.
- ◆ Työnnä laturi (9) verkkovirran pistorasiaan.
- ◆ Aseta akku (6) laturiin. Varmista, että akku on asetettu oikein laturiin (9).
- ◆ Latauksen merkkivalo vilkkuu tasaisesti.
- ◆ Akku on ladattu, kun latauksen merkkivalo palaa keskeytyksettä.
- ◆ Akku voidaan jättää laturiin, kun merkkivalo palaa. Merkkivalo alkaa vilkkua uudelleen (lataustila) ns. täydennyslatauksen ajaksi.
- ◆ Latauksen merkkivalo palaa niin kauan kuin akku on pistorasiaan liitettyssä laturissa.

Lataa akut viikon kuluessa tyhjentymisestä. Akkujen käyttöikä lyhenee merkittävästi, jos ne jätetään tyhjiksi pitkäksi aikaa.

### Latauksen merkivalot

Jos latauksessa havaitaan ongelma, latauksen merkivalo vilkkuu nopeasti.

- ◆ Aseta siinä tapauksessa akku (6) uudelleen laturiin.
- ◆ Jos ongelma ei poistu, aseta toinen akku laturiin. Näin voidaan todeta, toimiiko laturi oikein.
- ◆ Jos toinen akku latautuu normaalisti, alkuperäinen akku on viallinen ja se tulee viedä Black & Deckerin huoltopisteeseen kierrätettäväksi.
- ◆ Jos toinen akku antaa saman virheilmoituksen kuin alkuperäinen, vie laturi huoltopisteeseen testattavaksi.

**Huomautus:** Akun kunnon määrittäminen voi kestää viisitoista minuuttia.

Jos akku on liian kuuma tai kylmä, latauksen merkivalo vilkkuu vuoroin nopeasti ja hitaasti.

### Valmistelu

- ◆ Puhdista laite säännöllisesti huoltoa käsittelevässä jaksossa kuvatulla tavalla. Puhdista etenkin teräsuojuksen (11) sisäpuoli.
- ◆ Alaleuan (2) ja yläleuan (1) on sulkeuduttava, kun käyttäjä vapauttaa toisen kahvoista tai kun työn kohteena oleva oksa on katkaistu. Jos näin ei tapahdu, lopeta työkalun käyttö ja irrota akku työkalusta.
- ◆ Tarkista, estävätkö roskat leukojen liikkeet. Tarkistus voi edellyttää teräsuojuksen (11) irrottamista. Jos ongelma ei poistu puhdistuksen ja laitteen kokoamisen jälkeen, toimita laite valtuutettuun huoltoon.

### Käynnistys ja pysäytys

**Varoitus!** Älä koskaan yritä lukita tai kiinnittää kumpaakaan virtakytkintä käyttöasentoon.

Käyttöturvallisuuden lisäämiseksi tämä työkalu on varustettu käynnistysvarmistimella. Järjestelmä estää työkalun tahattoman käynnistämisen.

### Käynnistys (kuva I)

Ota tukeva ote kahvoista ja kytkie virta puristamalla kumpaakin virtakytkintä (5).

### Virrankatkaisu (kuva I)

Vapauta jompikumpi virtakytkimistä.

**Huomautus:** Laitteen käynnistys ja käyttö edellyttää kummankin virtakytkimen samanaikaista painamista.

Älä ylikuormita laitetta – anna sen tehdä työ. Laite toimii paremmin ja turvallisemmin sille suunnitellulla nopeudella. Liiallinen voimankäyttö venyttää teräketjua.

Jos teräketju (14) tai -levy (3) jumittuu:

- ◆ katkaise työkalun virta

- ◆ Irrota akku työkalusta.

hellitä terälevyyn kohdistuva puristus avaamalla kiillaterä. Älä yritä vapauttaa sahaa vääntämällä. Aloita oksan katkaiseminen uudelleen toisesta kohdasta.

### Oksien karsiminen (kuva J)

Varmista etukäteen, että paikalliset asetukset tai säädökset eivät rajoita puun oksien karsimista.

- ◆ Ennen varsinaista katkaisuvaihetta anna työkalun toimia täydellä nopeudella.
- ◆ Pidä työkalusta kiinni tukevasti molemmin käsin, jotta se ei pääse ponnahtelemaan tai liikkumaan sivusuunnassa.
- ◆ Ohjaa työkalun liikkeitä kevyesti painaen.
- ◆ Aloita katkaisu aina oksan yläpuolelta. Näin vältetään teräketjun (14) juuttuminen.
- ◆ Karsi oksat kuvassa J esitetyllä tavalla. Aloita oksan kärjestä ja lyhennä oksaa tasaisin välein.
- ◆ Poista työkalu katkaisukohdasta moottorin käydessä täydellä nopeudella.

### Huolto

Black & Deckerin verkkojohdolla varustettu tai verkkojohdoton laite/työkalu on suunniteltu toimimaan kauan mahdollisimman vähällä huollolla. Oikealla huollolla jäsännöllisellä puhdistuksella kone säilyttää suorituskykynsä.

**Varoitus!** Ennen verkkojohdolla varustetun tai verkkojohdoton työkalun huoltoa toimi seuraavasti.

- ◆ Sammuta laite/työkalu ja irrota se verkkovirrasta.
- ◆ Jos laitteessa/työkalussa on erillinen akku, sammuta laite/työkalu ja irrota sen akku.
- ◆ Jos akku on kiinteä, käytä akku täysin loppuun jasammuta laite/työkalu sitten.
- ◆ Irrota laturi pistorasiasta ennen laturin puhdistamista. Laturi ei tarvitse säännöllisen puhdistamisen lisäksi mitään muuta huoltoa.

Puhdista laitteen/työkalun/laturin ilma-aukot säännöllisesti pehmeällä harjalla tai kuivalla kangasliinalla.

Puhdista moottorikotelo säännöllisesti kostealla rievulla. Älä koskaan käytä puhdistamiseen liuotainaineita tai syövyttäviä puhdistusaineita.

Avaa istukka säännöllisesti ja naputtele pöly pois sen sisältä (soveltuvien osien).

### Puhdistaminen

- ◆ Irrota teräsuojus (11) säännöllisesti ja poista kaikki sen alle jääneet roskat.
- ◆ Puhdista ilma-aukot puhtaalla, kuivalla maalisiveltimellä.

- ◆ Käytä työkalun puhdistukseen vain mietoa saippuuliuosta ja kosteaa kangasta. Älä koskaan päästä nestettä valumaan työkalun sisään. Älä koskaan upota mitään työkalun osaan nesteeseen.

#### Voitelu

- ◆ Öljyä kuvan D mukaiset voitelukohteet (15) säännöllisesti.

#### Kuljetus

- ◆ Kuljeta työkalua aina leuat kiinni ja salpa (5) lukitussa asennossa.

#### Teräketjun teroittaminen

Jotta saha toimisi parhaalla mahdollisella tavalla, ketjun hampaat on pidettävä terävinä. Teroitinpaketissa on ohjeet tähän. Suosittelemme Black & Deckerin teräketjun teroituspaketin A6039 hankkimista (saatavana Black & Deckerin valtuutetuista huoltoliikkeistä ja jälleenmyyjiltä).

#### Kuluneen teräketjun vaihtaminen

Teräketjuja on saatavana Black & Deckerin valtuutetuista huoltoliikkeistä ja jälleenmyyjiltä. Käytä aina vain alkuperäisiä varaosia.

#### Teräketjun terävyys

Ketjun leikkuuterät tylsyvät heti, jos ne sahattaessa osuvat maahan tai naulaan.

#### Teräketjun kireys

Tarkista teräketjun kireys säännöllisesti.

#### Mitä tehdä, jos ketjusaha vaatii korjausta

Työkalu täyttää asianmukaisten turvaohjeiden vaatimukset. Korjauksia saa tehdä vain Black & Deckerin valtuuttama huoltoliike, joka käyttää alkuperäisosa, muutoin koneen käyttäjälle voi aiheuta vaaratilanteita. Suosittelemme tämän käyttöohjeen säilyttämistä turvallisessa paikassa.

#### Säilytys

Kun työkalua ei ole tarkoitus käyttää pitkään aikaan, pyyhi kaikki metalliosat öljytyllä kankaalla. Jos mahdollista, anna akun (6) olla liitetynä laturiin.

Toimi seuraavasti:

- ◆ Lataa akku (6) täyteen.
- ◆ Poista akku (6) työkalusta.
- ◆ Säilytä työkalua ja akkua (6) turvallisessa ja kuivassa paikassa. Säilytyspaikan lämpötilan täytyy aina olla +5°C - +40°C. Aseta akku (6) tasaiselle alustalle.
- ◆ Lataa akku (6) täyteen, ennen kuin käytät työkalua pitkäaikaisen säilytyksen jälkeen.

## Ympäristö



Erillinen keräys. Tätä tuotetta ei saa hävittää normaalin kotitalousjätteen kanssa.

Kun Black & Decker -laitteesi aikanaan täytyy vaihtaa tai ei kelpaa enää käyttöön, älä hävitä laitetta kotitalousjätteen mukana. Toimita laite kierrätettäväksi.



Käytettyjen tuotteiden ja pakkausmateriaalien erilliskeruun avulla materiaalit voidaan kierrättää ja käyttää uudelleen. Kierrätysmateriaalien käyttö auttaa vähentämään ympäristön saastumista ja uusien raaka-aineiden tarvetta.

Paikallisissa sääöksissä voidaan määrätä, että kodin sähkötuotteiden keruu tapahtuu kaupunkien jätteidenkäsittelyasemilla tai laitteita myyvissä liikkeissä uuden tuotteen oston yhteydessä.

Kun laitteesi on käytetty loppuun, älä heitä sitä tavallisten roskien mukana pois, vaan vie se paikkakuntasi kierrätyskeskukseen tai jätä valtuutettuun Black & Deckerin huoltoliikkeeseen.

Tiedot valtuutetuista huoltoliikkeistä saa ottamalla yhteyttä Black & Decker Oy:hyn sekä Internetistä osoitteesta [www.2helpU.com](http://www.2helpU.com).

#### Paristot



Hävitä loppuun kuluneet akut ympäristöstävällisesti.

- ◆ Käsittele akkua niin, että navat eivät joudu oikosulkuun.
- ◆ Älä yritä polttaa akkua, sillä se voi aiheuttaa henkilövahinkoja tai räjähtää.
- ◆ Käytä akku täysin loppuun ja irrota se sitten työkalusta.
- ◆ Akut ovat kierrätyskelpoisia. Pakkaa akut niin, että navat eivät aiheuta oikosulkua. Voit viedä ne mihin tahansa valtuutettuun huoltoliikkeeseen tai paikalliseen kierrätyskeskukseen.

## Tekniset tiedot

GKC1000L H1	
Jännite	V DC 18
Ketjun nopeus (kuormittamattomana)	m/min 1,9
Suurin sallittu katkaisupaksuus	mm 100
Paino	kg 3,5

Akku A1518L	
Jännite	V DC 18
Latausvirta	A 3,7
Teho	Ah 1,5
Akku	Tyyppi Li-Ion
Paino	kg 0,45

Laturi 9053954*	
Syöttöjännite	V AC 230
Lähtöjännite	V DC 21
Latausvirta	A 1,9
Summittainen latausaika 1,5 Ah akku	hr 1
Paino	kg 0,5

Taattu äänenpainetaso, mitattu meludirektiivin  
2000/14/EY mukaisesti:

$L_{PA}$  (äänenpaine) 85 dB(A), epävarmuus (K) 3 dB(A)  
 $L_{WA}$  (ääniteho) 96 dB(A), epävarmuus (K) 3 dB(A)  
 $L_{WA}$  (taattu) 97 dB(A)

Tärinän kokonaisarvot (vektorisumma),  
määritetty EN 60745 -standardin mukaan

Juuri kaadetun pehmeän puun  
katkaiseminen ( $a_h$ ) = 3,8 m/s<sup>2</sup>,  
epävarmuus (K) = 1,5 m/s<sup>2</sup>

## EU:n yhdenmukaisuusilmoitus

KONEDIREKTIIVI  
ULKOILMAMELUDIREKTIIVI



## GKC1000L

Black & Decker vakuuttaa näiden tuotteiden olevan seuraavien asetusten ja standardien vaatimusten mukaiset:

2006/42/EY

EN 60745-1

2000/14/EY, Ketjusaha, Liite VI

Äänenpainetaso mitattuna 2000/14/EY

$L_{WA}$  (mitattu ääniteho) dB 85

$L_{WA}$  (taattu ääniteho) dB 97

Lisätietoja saa ottamalla yhteyttä Black & Deckeriin tai käyttöohjeen kääntöpuolelta.

Allekirjoittanut vastaa teknisten tietojen kokoamisesta tehden tämän ilmoituksen Black & Deckerin puolesta.

Kevin Hewitt

Vice-President Global Engineering

Black & Decker Europe,

210 Bath Road, Slough,

Berkshire, SL1 3YD

Iso-Britannia

22.02.2010

Alligator™-oksastrimmeri on suojattu patenteilla ja tuotesuojilla Euroopassa, Yhdysvalloissa ja muissa maissa ALLIGATOR on Black & Decker Corporationin tavaramerkki.

## Takuu

Black & Decker Oy takaa, ettei tuotteessa ollut materiaali- ja/tai valmistusvikaa silloin, kun se toimitettiin ostajalle.

Takuu on lisäys kuluttajan laillisiin oikeuksiin eikä vaikuta niihin. Takuu on voimassa Euroopan unionin jäsenmaissa ja Euroopan vapaakauppa-alueella (EFTA).

Mikäli Black & Decker -kone hajoaa materiaali- ja/tai valmistusvirheen tai teknisten tietojen epätarkkuuden vuoksi 24 kk:n kuluessa ostopäivästä, Black & Decker korjaa koneen ilman kustannuksia ostajalle tai vaihtaa sen Black & Decker Oy:n valinnan mukaan. Takuu ei kata vikoja, jotka johtuvat koneen



- ◆ normaalista kulumisesta
- ◆ ylikuormituksesta, virheellisestä käytöstä tai hoidosta
- ◆ vahingoittamisesta vieraalla esineellä tai aineella tai onnettomuustapauksessa.
- ◆ Takuu ei ole voimassa, mikäli laitetta on korjannut joku muu kuin Black & Deckerin valtuuttama huoltoliike.

Edellytyksenä takuun saamiselle on, että ostaja näyttää laitteen ostokuitin jälleenmyyjälle tai valtuutetulle huoltoliikkeelle. Saat valtuutettujen huoltoliikkeiden yhteystiedot ottamalla yhteyden Black & Decker Oy:hyn tässä käyttöoppaassa ilmoitetussa osoitteessa. Löydät myös valtuutettujen Black & Decker huoltoliikkeiden yhteystiedot sekä lisätietoja palveluistamme ja takuehdoista Internetissä osoitteessa: **www.2helpU.com**.

Voit vierailla verkkosivuillamme **www.blackanddecker.fi** rekisteröidäksesi uuden Black & Decker -tuotteesi ja saadaaksesi tietoa uusista tuotteista ja erikoistarjouksista. Saat lisätietoja Black & Deckerin tavaramerkistä ja tuotevalikoimastamme osoitteesta **www.blackanddecker.fi**.

## Ενδεξιμένη χρήση

Το κλαδευτήρι Black & Decker Alligator™ έχει σχεδιαστεί για το κλάδεμα θάμνων και δέντρων, για την κοπή κλαδιών που έχουν πέσει και για την κοπή μικρών κορμών διαμέτρου 25 mm έως 100 mm, ενώ ο χειριστής στέκεται στο έδαφος. Αυτό το εργαλείο προορίζεται μόνο για ερασιτεχνική χρήση.

## Οδηγίες ασφαλείας

### Γενικές προειδοποιήσεις ασφαλείας για τα ηλεκτρικά εργαλεία



**Προειδοποίηση!** Διαβάστε όλες τις υποδείξεις και όλες τις οδηγίες. Η μη τήρηση όλων των υποδείξεων μπορεί να προκαλέσει ηλεκτροπληξία, πυρκαγιά ή/και σοβαρούς τραυματισμούς.

### Φυλάξτε όλες τις προειδοποιήσεις και τις οδηγίες για μελλοντική αναφορά.

Ο χαρακτηρισμός "ηλεκτρικό εργαλείο" που χρησιμοποιείται σε όλες τις παρακάτω προειδοποιητικές υποδείξεις αφορά ή το εργαλείο που συνδέεται στην πρίζα (με καλώδιο) ή το εργαλείο που λειτουργεί με μπαταρία (χωρίς καλώδιο).

1. **Ασφάλεια χώρου εργασίας**
  - a. **Διατηρείτε το χώρο που εργάζεστε καθαρό και καλά φωτισμένο.** Η αταξία στο χώρο που εργάζεστε και τα σημεία χωρίς καλό φωτισμό μπορεί να οδηγήσουν σε ατυχήματα.
  - b. **Μη χρησιμοποιείτε ηλεκτρικά εργαλεία σε περιβάλλον όπου υπάρχει κίνδυνος έκρηξης, π.χ. παρουσία εύφλεκτων υγρών, αερίων ή σκόνης.** Τα ηλεκτρικά εργαλεία μπορεί να δημιουργήσουν σπινθηρισμό ο οποίος μπορεί να αναφλέξει τη σκόνη ή τις αναθυμιάσεις.
  - c. **Όταν χρησιμοποιείτε το ηλεκτρικό εργαλείο, κρατάτε τα παιδιά και τα υπόλοιπα άτομα μακριά από το χώρο που εργάζεστε.** Σε περίπτωση που άλλα άτομα αποσπάσουν την προσοχή σας μπορεί να χάσετε τον έλεγχο του μηχανήματος.
2. **Ασφαλής χρήση του ηλεκτρικού ρεύματος**
  - a. **Το φως του καλωδίου του ηλεκτρικού εργαλείου πρέπει να ταιριάζει στην αντίστοιχη πρίζα. Δεν επιτρέπεται με κανένα τρόπο η μετασκευή του φως. Μη χρησιμοποιείτε προσαρμοστικά φως στα γειωμένα ηλεκτρικά εργαλεία.** Τα φως που δεν έχουν υποστεί τροποποιήσεις και οι κατάλληλες πρίζες μειώνουν τον κίνδυνο ηλεκτροπληξίας.
  - b. **Αποφύγετε την επαφή του σώματός σας με γειωμένες επιφάνειες όπως σωλήνες, θερμαντικά σώματα (καλοριφέρ), κουζίνες και ψυγεία.** Όταν το σώμα σας είναι γειωμένο, αυξάνεται ο κίνδυνος ηλεκτροπληξίας.
- c. **Μην εκθέτετε το ηλεκτρικό εργαλείο στη βροχή ή στην υγρασία.** Η διείσδυση νερού στο ηλεκτρικό εργαλείο αυξάνει τον κίνδυνο ηλεκτροπληξίας.
- d. **Μην κακομεταχειρίζεστε το καλώδιο. Μη χρησιμοποιήσετε ποτέ το καλώδιο για να μεταφέρετε, να τραβήξετε ή να αποσυνδέσετε το εργαλείο από την πρίζα. Κρατάτε το καλώδιο μακριά από υψηλές θερμοκρασίες, λάδια, κοφτερές ακμές ή κινούμενα εξαρτήματα.** Τυχόν χαλασμένα ή μπερδεμένα καλώδια αυξάνουν τον κίνδυνο ηλεκτροπληξίας.
- e. **Όταν χρησιμοποιείτε το ηλεκτρικό εργαλείο σε εξωτερικούς χώρους, να χρησιμοποιείτε πάντοτε καλώδια προέκτασης κατάλληλα για χρήση σε εξωτερικούς χώρους.** Η χρήση προεκτάσεων κατάλληλων για εργασία σε εξωτερικούς χώρους μειώνει τον κίνδυνο ηλεκτροπληξίας.
- f. **Εάν η χρήση ενός ηλεκτρικού εργαλείου σε βρεγμένους χώρους ή με υγρασία είναι αναπόφευκτη, χρησιμοποιήστε ένα τροφοδοτικό με προστατευτική Συσκευή Παραμένοντος Ρεύματος (RCD).** Η χρήση μιας συσκευής RCD μειώνει τον κίνδυνο ηλεκτροπληξίας.
3. **Ασφάλεια προσώπων**
  - a. **Όταν χρησιμοποιείτε το ηλεκτρικό εργαλείο, να είστε προσεκτικοί, να δίνετε προσοχή στην εργασία που κάνετε και να επιστρατεύετε την κοινή λογική. Μη χρησιμοποιείτε το ηλεκτρικό εργαλείο όταν είστε κουρασμένοι ή όταν βρίσκεστε υπό την επήρεια ναρκωτικών, οινοπνεύματος ή φαρμάκων.** Μια στιγμή απροσεξία κατά το χειρισμό του ηλεκτρικού εργαλείου μπορεί να οδηγήσει σε σοβαρούς τραυματισμούς.
  - b. **Να χρησιμοποιείτε εξοπλισμό προσωπικής προστασίας. Να φοράτε πάντα προστατευτικά γυαλιά.** Ο κίνδυνος τραυματισμών μειώνεται όταν χρησιμοποιείτε εξοπλισμό προστασίας, όπως μάσκα προστασίας από σκόνη, αντλιοθηκικά παπούτσια ασφαλείας, κράνη ή waistpides, ανάλογα με τις συνθήκες εργασίας.
  - c. **Προλαμβάνετε την ακούσια θέση σε λειτουργία του ηλεκτρικού εργαλείου. Βεβαιωθείτε ότι ο διακόπτης λειτουργίας βρίσκεται στη θέση "OFF" πριν συνδέσετε το εργαλείο στην πρίζα και/ή στην μπαταρία, πριν το σηκώσετε ή το μεταφέρετε.** Η μεταφορά ηλεκτρικών εργαλείων με το δάχτυλό σας επάνω στο διακόπτη ή η σύνδεση στην πρίζα ηλεκτρικών εργαλείων με το διακόπτη στη θέση ενεργοποίησης, ενέχει κινδύνους πρόκλησης ατυχημάτων.

- d. Πριν θέσετε το ηλεκτρικό εργαλείο σε λειτουργία, αφαιρέστε τυχόν εργαλεία ή κλειδιά ρύθμισης. Ένα εργαλείο ή κλειδί συναρμολογημένο στο περιστρεφόμενο εξάρτημα ενός ηλεκτρικού εργαλείου μπορεί να προκαλέσει τραυματισμούς.
- e. Μην τεντώνετε. Φροντίστε πάντοτε να έχετε την κατάλληλη στάση και να διατηρείτε την ισορροπία σας. Αυτό σας επιτρέπει τον καλύτερο έλεγχο του ηλεκτρικού εργαλείου σε περιπτώσεις απροσδόκητων καταστάσεων.
- f. Φοράτε κατάλληλη ενδυμασία εργασίας. Μη φοράτε φαρδιά ρούχα ή κοσμήματα. Κρατάτε τα μαλλιά, τα ενδύματα και τα γάντια σας μακριά από τα κινούμενα εξαρτήματα. Τα φαρδιά ρούχα, τα κοσμήματα και τα μακριά μαλλιά μπορεί να εμπλακούν στα κινούμενα εξαρτήματα.
- g. Αν προβλέπονται διατάξεις απαγωγής και συλλογής της σκόνης, βεβαιωθείτε ότι είναι συνδεδεμένες και ότι χρησιμοποιούνται σωστά. Η χρήση τέτοιων διατάξεων μειώνει τους κινδύνους που προέρχονται από τη σκόνη.
4. Χρήση και συντήρηση του ηλεκτρικού εργαλείου
- a. Μην υπερφορτώνετε το ηλεκτρικό εργαλείο. Χρησιμοποιείτε για την εκάστοτε εργασία σας το ηλεκτρικό εργαλείο που προορίζεται γι' αυτήν. Με το κατάλληλο ηλεκτρικό εργαλείο εργάζεστε καλύτερα και ασφαλέστερα στην ονομαστική περιοχή ισχύος του.
- b. Μη χρησιμοποιήσετε ποτέ ένα ηλεκτρικό εργαλείο του οποίου ο διακόπτης λειτουργίας είναι χαλασμένος. Ένα ηλεκτρικό εργαλείο του οποίου η λειτουργία δεν μπορεί να ελεγχθεί με το διακόπτη είναι επικίνδυνο και πρέπει να επισκευαστεί.
- c. Βγάλτε το φως από την πρίζα και/ή την μπαταρία από το ηλεκτρικό εργαλείο, πριν διεξάγετε κάποια εργασία ρύθμισης, πριν αλλάξετε κάποιο εξάρτημα ή όταν πρόκειται να αποθηκεύσετε τα ηλεκτρικά εργαλεία. Αυτά τα προληπτικά μέτρα ασφαλείας μειώνουν τον κίνδυνο να θεθεί το εργαλείο αθέλητα σε λειτουργία.
- d. Να φυλάτε τα ηλεκτρικά εργαλεία που δεν χρησιμοποιείτε μακριά από παιδιά. Μην αφήνετε άτομα που δεν είναι εξοικειωμένα με το ηλεκτρικό εργαλείο ή που δεν έχουν διαβάσει αυτές τις οδηγίες χρήσης να το χρησιμοποιήσουν. Τα ηλεκτρικά εργαλεία είναι επικίνδυνα όταν χρησιμοποιούνται από άπειρα άτομα.
- e. Να συντηρείτε τα ηλεκτρικά εργαλεία. Ελέγξτε εάν τα κινούμενα μέρη είναι σωστά ευθυγραμμισμένα ή αν έχουν μπλοκάρει, εάν έχουν σπάσει κομμάτια και εάν πληρούνται όλες οι υπόλοιπες συνθήκες που ενδεχομένως να επηρεάσουν τη σωστή λειτουργία του εργαλείου. Δώστε τυχόν χαλασμένα εξαρτήματα του ηλεκτρικού εργαλείου για επισκευή πριν το χρησιμοποιήσετε πάλι. Η ανεπαρκής συντήρηση των ηλεκτρικών εργαλείων αποτελεί αιτία πολλών ατυχημάτων.
- f. Διατηρείτε τα κοπτικά εργαλεία κοφτερά και καθαρά. Τα κοπτικά εργαλεία με αιχμηρά κοπτικά άκρα που συντηρούνται σωστά έχουν λιγότερες πιθανότητες να μπλοκάρουν και ελέγχονται ευκολότερα.
- g. Να χρησιμοποιείτε τα ηλεκτρικά εργαλεία, τα εξαρτήματα και τα άκρα των εργαλείων κλπ σύμφωνα με τις παρούσες οδηγίες, λαμβάνοντας υπόψη σας τις συνθήκες εργασίας και την εργασία που θέλετε να εκτελέσετε. Η χρήση του ηλεκτρικού εργαλείου για άλλες εκτός από τις προβλεπόμενες εργασίες μπορεί να δημιουργήσει επικίνδυνες καταστάσεις.
5. Χρήση και συντήρηση του εργαλείου μπαταρίας
- a. Επαναφορτίζετε μόνο με το φορτιστή που καθορίζεται από τον κατασκευαστή. Ένας φορτιστής που είναι κατάλληλος για έναν τύπο μπαταρίας μπορεί να προκαλέσει κίνδυνο πυρκαγιάς εάν χρησιμοποιηθεί με άλλη μπαταρία.
- b. Χρησιμοποιείτε τα ηλεκτρικά εργαλεία αποκλειστικά και μόνο με τις καθοριζόμενες μπαταρίες. Η χρήση άλλων μπαταριών μπορεί να προκαλέσει κίνδυνο τραυματισμού και πυρκαγιάς.
- c. Όταν η μπαταρία δε χρησιμοποιείται, μην την πλησιάζετε σε μεταλλικά αντικείμενα όπως συνδετήρες, κέρματα, κλειδιά, καρφιά, βίδες ή άλλα μικρά μεταλλικά αντικείμενα που μπορούν να βραχυκυκλώσουν τους δύο πόλους της. Εάν βραχυκυκλώσουν οι πόλοι της μπαταρίας μπορεί να προκληθούν εγκαύματα ή πυρκαγιά.
- d. Υπό ακραίες συνθήκες, είναι δυνατή η διαρροή υγρού από την μπαταρία, με το οποίο πρέπει να αποφύγετε την επαφή. Σε περίπτωση κατά λάθος επαφής, ξεπλύνετε με νερό. Εάν το υγρό έρθει σε επαφή με τα μάτια, ζητήστε και ιατρική βοήθεια. Το υγρό που διαρρέει από την μπαταρία μπορεί να προκαλέσει ερεθισμούς ή εγκαύματα.
6. Σέρβις

Το σέρβις του ηλεκτρικού σας εργαλείου πρέπει να αναλαμβάνει έμπειρος τεχνικός που θα χρησιμοποιεί μόνο γνήσια ανταλλακτικά. Έτσι εξασφαλίζεται η διατήρηση της ασφάλειας του ηλεκτρικού εργαλείου.

## Συμπληρωματικές προειδοποιήσεις ασφαλείας για τα ηλεκτρικά εργαλεία.



**Προειδοποίηση!** Συμπληρωματικές προειδοποιήσεις ασφαλείας για το κλαδευτήρι Alligator™.

**Προειδοποίηση!** Μη χρησιμοποιείτε ποτέ το εργαλείο κρατώντας το πάνω από το ύψος του ώμου. Να στέκεστε πάντα μακριά από την κατεύθυνση πτώσης των κλαδιών και άλλων σωμάτων.

**Προειδοποίηση!** Μη χρησιμοποιείτε αυτό το εργαλείο για την κοπή δέντρων.

- ♦ Διατηρείτε πάντοτε τα μέλη του σώματός σας και τα ενδύματά σας μακριά από την αλυσίδα του πριονιού. Να κρατάτε το εργαλείο μπροστά σας και να προσέχετε τη θέση της αλυσίδας του πριονιού, ιδιαίτερα κατά την κοπή κλαδιών που βρίσκονται κοντά στο έδαφος. Πριν να θέσετε σε λειτουργία το εργαλείο, φροντίστε η αλυσίδα του πριονιού να μη βρίσκεται σε επαφή με οποιοδήποτε αντικείμενο.
- ♦ Σχεδιάστε εκ των προτέρων μια ασφαλή διαδρομή απομάκρυνσης από κλαδιά και άλλα κομμάτια που θα πέσουν. Βεβαιωθείτε ότι στη διαδρομή απομάκρυνσης δεν θα υπάρχουν εμπόδια που θα καθιστούσαν αδύνατη ή θα δυσκόλευαν την κίνηση. Έχετε υπόψη ότι το υγρό γρασιδί και ο φλοιός δέντρου που έχει κοπεί πρόσφατα είναι ολισθηρά.
- ♦ Καθορίστε την κατεύθυνση προς την οποία μπορεί να πέσει ένα κλαδί. Λάβετε υπόψη όλους τους παράγοντες που ενδέχεται να επηρεάσουν την κατεύθυνση της πτώσης, συμπεριλαμβανομένων:
  - Της επιθυμητής κατεύθυνσης της πτώσης.
  - Της φυσικής κλίσης του κλαδιού.
  - Οποιοδήποτε δομικού χαρακτηριστικού του κλαδιού με μεγάλο βάρος ή τυχόν σημείου σήψης.
  - Την γύρω δέντρων και εμποδίων, συμπεριλαμβανομένων των αναρτημένων συρμάτων, σχοινιών, καλωδίων κ.λπ. που υπάρχουν στο χώρο.
  - Της ταχύτητας και της διεύθυνσης του ανέμου.
- ♦ Η ασφαλής απόσταση ενός κλαδιού και κομματιών που πρόκειται να πέσουν από άτομα, κτίρια ή άλλα αντικείμενα ισούται τουλάχιστον με 2 1/2 φορές το μήκος του κλαδιού. Οποιοδήποτε άτομο, κτίριο ή αντικείμενο που βρίσκεται σε μικρότερη απόσταση κινδυνεύει να πληγεί από το κλαδί που θα πέσει.
- ♦ Κατά την κοπή ενός κλαδιού που έχει καμφθεί, προσέξτε το ενδεχόμενο επαναφοράς του. Όταν πάψει να ασκείται πίεση στις ίνες του ξύλου, το κλαδί που βρισκόταν σε κάμψη ενδέχεται να κτυπήσει το χειριστή ή/και το εργαλείο, με αποτέλεσμα την απώλεια του ελέγχου του.
- ♦ Να φοράτε πάντα τον κατάλληλο προστατευτικό εξοπλισμό, όπως αντιολισθητικά παπούτσια ασφαλείας, κράνος, προστατευτικά γυαλιά, ωτασπίδες και γάντια, κατά το χειρισμό του εργαλείου.
- ♦ Φροντίστε να υπάρχει κάποιος σε κοντινή απόσταση (σε απόσταση ασφαλείας) για την περίπτωση ατυχήματος.
- ♦ Μην επιχειρήσετε να χρησιμοποιήσετε το εργαλείο όταν στέκεστε πάνω σε δέντρο, σε σκάλα ή σε οποιαδήποτε άλλη ασταθή επιφάνεια.
- ♦ Φροντίστε να έχετε πάντοτε την κατάλληλη στάση και να διατηρείτε την ισορροπία σας.
- ♦ Κρατάτε σταθερά το εργαλείο, και με τα δύο χέρια, όταν το μοτέρ βρίσκεται σε λειτουργία.
- ♦ Διατηρείτε τις λαβές στεγνές, καθαρές, χωρίς λάδι και γράσο. Οι λερωμένες με γράσο ή λάδι λαβές γλιστρούν, με αποτέλεσμα την απώλεια του ελέγχου.
- ♦ Μην επιτρέψετε να έλθει σε επαφή η κινούμενη αλυσίδα με οποιοδήποτε αντικείμενο στο άκρο της ράβδου οδήγησης.
- ♦ Διατηρείτε τη σωστή τάνυση της αλυσίδας του πριονιού. Ελέγχετε την τάνυση σε τακτά διαστήματα, ενώ το μοτέρ δεν λειτουργεί και το καλώδιο είναι αποσυνδεδεμένο.
- ♦ Ξεκινήστε και συνεχίστε την κοπή κάποιου αντικείμενου μόνο εφόσον η αλυσίδα κινείται με τη μέγιστη ταχύτητα.
- ♦ Προσέχετε για τυχόν κλαδιά που μετακινούνται ή για άλλες δυνάμεις που θα μπορούσαν να κλείσουν μια τομή και να μαγκώσουν την αλυσίδα ή να πέσουν σε αυτήν.
- ♦ Να είστε ιδιαίτερα προσεκτικοί όταν τοποθετείτε ξανά το εργαλείο σε μια προηγούμενη τομή. Φέρετε σε επαφή με το ξύλο τις προεξοχές της κάτω σιαγόνας και περιμένετε μέχρι η αλυσίδα να αναπτύξει τη μέγιστη ταχύτητά της πριν να πραγματοποιήσετε την κοπή.
- ♦ Η χρήση αυτού του εργαλείου για εργασίες για τις οποίες δεν προορίζεται ενδέχεται να δημιουργήσει επικίνδυνες καταστάσεις. Το εργαλείο προορίζεται αποκλειστικά για την κοπή ξύλου. Μην το χρησιμοποιείτε για εργασίες για τις οποίες δεν προορίζεται - για παράδειγμα - μην χρησιμοποιείτε το εργαλείο για την κοπή πλαστικού, υλικών τοιχοποιίας ή οικοδομικών υλικών που δεν αποτελούνται από ξύλο.
- ♦ Εάν πιαστούν ξένα σώματα στο προστατευτικό κάλυμμα ή στο εργαλείο, διακόψτε τη λειτουργία, αφαιρέστε την μπαταρία και καθαρίστε τα ξένα σώματα.

- ♦ Αλυσίδες και ράβδοι οδήγησης αλυσίδας που έχουν φθαρεί πρέπει να αντικαθίστανται.
- ♦ Χρησιμοποιείτε αποκλειστικά τις ανταλλακτικές ράβδους και αλυσίδες που καθορίζονται από τον κατασκευαστή.

### Ασφάλεια τρίτων

- ♦ Αυτή η συσκευή δεν προορίζεται για χρήση από άτομα (στα οποία περιλαμβάνονται και τα παιδιά) με μειωμένες φυσικές, αντιληπτικές ή διανοητικές ικανότητες, ή άτομα χωρίς εμπειρία και γνώσεις, παρά μόνο εφόσον επιτηρούνται ή τους έχουν δοθεί οδηγίες σχετικά με τη χρήση της συσκευής από άτομουπεύθυνο για την ασφάλεια τους.
- ♦ Τα παιδιά πρέπει να επιτηρούνται για να διασφαλίζεται ότι δεν παίζουν με τη συσκευή.

### Δόνηση

Η δηλωμένη τιμή εκπομπής δόνησης που αναφέρεται στα τεχνικά χαρακτηριστικά και τη δήλωση συμμόρφωσης έχει μετρηθεί σύμφωνα με μια τυποποιημένη μέθοδο δοκιμής που παρέχεται από το πρότυπο EN 60745 και μπορεί να χρησιμοποιηθεί για τη σύγκριση ενός εργαλείου με ένα άλλο. Η δηλωμένη τιμή εκπομπής δόνησης μπορεί επίσης να χρησιμοποιηθεί σε έναν προκαταρκτικό προσδιορισμό της έκθεσης.

**Προειδοποίηση!** Η τιμή εκπομπής δόνησης κατά την πραγματική χρήση του ηλεκτρικού εργαλείου μπορεί να διαφέρει από τη δηλωμένη τιμή ανάλογα με το τρόπο που χρησιμοποιείται το εργαλείο. Η στάθμη δόνησης μπορεί να αυξηθεί πάνω από τη στάθμη που έχει δηλωθεί.

Κατά τον προσδιορισμό της έκθεσης σε δόνηση για τον καθορισμό των απαιτούμενων μέτρων ασφάλειας σύμφωνα με την οδηγία 2002/44/EK για την προστασία προσώπων που χρησιμοποιούν συχνά ηλεκτρικά εργαλεία στην εργασία τους, μια προσεγγιστική εκτίμηση της έκθεσης σε δόνηση πρέπει να λαμβάνει υπόψη τις πραγματικές συνθήκες χρήσης και τον τρόπο χρήσης του εργαλείου, συμπεριλαμβανομένων και όλων των επιμέρους τμημάτων του κύκλου εργασίας, όπως, πότες φορές τέθηκε το εργαλείο εκτός λειτουργίας, πότε είναι σε λειτουργία χωρίς φορτίο και επιπρόσθετα ο χρόνος πίεσης της σκανδάλης.

### Ετικέτες στα εργαλεία

Τα παρακάτω σύμβολα βρίσκονται στο εργαλείο σας:



**Προειδοποίηση!** Για να μειωθεί ο κίνδυνος τραυματισμού, ο χρήστης πρέπει να διαβάσει το εγχειρίδιο οδηγιών.



Μη χρησιμοποιείτε το πριόνι σε υγρές συνθήκες και μην το εκθέτετε στη βροχή.



Φοράτε πάντοτε προστατευτικό εξοπλισμό για το κεφάλι, την ακοή και τα μάτια.



Προσέχετε για τυχόν αντικείμενα που πέφτουν. Μην επιτρέπετε να πλησιάσουν άλλα άτομα.



Μη χρησιμοποιείτε το εργαλείο ενώ στέκεστε σε σκάλα.



Ελέγχετε την τάνυση της αλυσίδας μετά από κάθε 10 λεπτά χρήσης. Ρυθμίζετε τη ξανά σε διάκενο 3 mm.



Λαδώστε την αλυσίδα μετά από κάθε 10 λεπτά χρήσης.



**Προειδοποίηση!** Μην αγγίζετε την αλυσίδα στο σημείο εξαγωγής των απορριμμάτων κοπής.



Η κατεύθυνση κίνησης της αλυσίδας.

### Αναπόφευκτος κίνδυνος

Παρά την τήρηση των σχετικών κανονισμών ασφαλείας και τη λήψη των αναγκαίων μέτρων προστασίας, ορισμένοι κίνδυνοι που σχετίζονται με τη χρήση πριονιών κοπής ξύλου δεν είναι δυνατόν να εξαλειφθούν. Αυτοί οι κίνδυνοι είναι οι εξής:

- ♦ Κίνδυνος τραυματισμού λόγω επαφής με κινούμενα μέρη, αιχμηρά μέρη ή μέρη όπου αναπτύσσονται υψηλές θερμοκρασίες ή λόγω πτώσης κλαδιών ή άλλων κομματιών πάνω στο χειριστή, σε άλλα παρερισκόμενα άτομα ή σε περιουσιακά στοιχεία και λόγω σωμάτων που εκτοξεύονται από το εργαλείο.
- ♦ Κίνδυνος τραυματισμού λόγω μη ενδεδειγμένης χρήσης του εργαλείου, λόγω πτώσης από σκάλα ή από θέση εργασίας πάνω σε δέντρο, λόγω πρόκλησης φθοράς στο καλώδιο τροφοδοσίας, λόγω χρήσης του εργαλείου σε υγρές ή επικίνδυνες θέσεις, λόγω χρήσης του εργαλείου από μικρά παιδιά ή αδύναμα άτομα, λόγω μη χρήσης του κατάλληλου εξοπλισμού ατομικής προστασίας ή κατάλληλων ενδυμάτων ή λόγω της εισπνοής σκόνης που δημιουργείται κατά την κοπή του ξύλου.

Οι παραπάνω κίνδυνοι έχουν αντιμετωπιστεί με τη συμπεριληψη προειδοποιήσεων στις οδηγίες χρήσης ή/και την τοποθέτηση επισημάνσεων στο εργαλείο.

### Συμπληρωματικές οδηγίες ασφαλείας για τις μπαταρίες και τους φορτιστές

#### Μπαταρίες

- ♦ Μην επιχειρήσετε ποτέ να ανοίξετε τις μπαταρίες για οποιοδήποτε λόγο.

- ◆ Μην εκθέτετε την μπαταρία σε νερό.
- ◆ Μην εκθέτετε την μπαταρία σε θερμότητα.
- ◆ Μη φυλάσσετε τις μπαταρίες σε μέρη όπου η θερμοκρασία μπορεί να υπερβεί τους 40°C.
- ◆ Η φόρτιση πρέπει να γίνεται μόνο σε θερμοκρασίες περιβάλλοντος μεταξύ 10°C και 40°C.
- ◆ Η φόρτιση πρέπει να γίνεται μόνο με το φορτιστή που παρέχεται μαζί με τη συσκευή/εργαλείο. Η χρήση ακατάλληλου φορτιστή μπορεί να προκαλέσει ηλεκτροπληξία ή υπερθέρμανση της μπαταρίας.
- ◆ Όταν απορρίπτετε τις μπαταρίες, ακολουθήστε τις οδηγίες που δίνονται στην ενότητα "Προστασία του περιβάλλοντος".
- ◆ Μην καταστρέψετε/παραμορφώνετε την μπαταρία είτε τρυπώντας ή χτυπώντας την, διότι μπορεί να προκληθεί κίνδυνος τραυματισμού ή πυρκαγιάς.
- ◆ Μη φορτίζετε τις κατεστραμμένες μπαταρίες.
- ◆ Κάτω από ακραίες συνθήκες, μπορεί να επέλθει διαρροή υγρών μπαταρίας. Αν παρατηρήσετε υγρό πάνω στις μπαταρίες, σκουπίστε προσεκτικά το υγρό χρησιμοποιώντας ένα πανί. Αποφύγετε την επαφή με το δέρμα.
- ◆ Στην περίπτωση επαφής με το δέρμα ή τα μάτια, ακολουθήστε τις παρακάτω οδηγίες.

**Προειδοποίηση!** Το υγρό της μπαταρίας μπορεί να προκαλέσει τραυματισμό ή υλικές ζημιές. Στην περίπτωση επαφής με το δέρμα, ξεπλύνετε αμέσως με άφθονο νερό. Αν παρουσιαστεί κοκκίνισμα του δέρματος, πόνος ή ερεθισμός, ζητήστε ιατρική βοήθεια. Στην περίπτωση επαφής με τα μάτια, ξεπλύνετε αμέσως με άφθονο καθαρό νερό και ζητήστε ιατρική βοήθεια.

### Φορτιστές

Ο φορτιστής σας είναι σχεδιασμένος για μια συγκεκριμένη ηλεκτρική τάση. Ελέγχετε πάντα αν η τάση τροφοδοσίας αντιστοιχεί σε αυτήν που αναγράφεται στην πινακίδα χαρακτηριστικών.

**Προειδοποίηση!** Ποτέ μην επιχειρείτε να αντικαταστήσετε τη μονάδα φορτιστή με έναν κανονικό ρευματολήπτη.

- ◆ Ο φορτιστής Black & Decker πρέπει να χρησιμοποιείται αποκλειστικά και μόνο για τη φόρτιση της μπαταρίας της συσκευής/του εργαλείου που συνόδευε. Αν χρησιμοποιηθεί για άλλες μπαταρίες, αυτές μπορεί να εκραγούν, προκαλώντας τραυματισμό και ζημιές.
- ◆ Μην επιχειρείτε ποτέ να φορτίσετε μη επαναφορτιζόμενες μπαταρίες.
- ◆ Αν το καλώδιο ρεύματος έχει υποστεί φθορά, η αντικατάστασή του πρέπει να γίνει από τον κατασκευαστή ή από ένα εξουσιοδοτημένο κέντρο της Black & Decker, ώστε να μην αποτελέσει κίνδυνο.
- ◆ Μην εκθέτετε το φορτιστή σε νερό.

- ◆ Μην ανοίγετε το φορτιστή.
- ◆ Μην επεμβαίνετε στο φορτιστή.
- ◆ Κατά τη φόρτιση, η συσκευή/εργαλείο/μπαταρία πρέπει να βρίσκεται σε καλά αεριζόμενο χώρο.

### Επικίνδυνες επάνω στο φορτιστή

Ο φορτιστής φέρει τα παρακάτω σύμβολα:



Η βάση φόρτισης φέρει διπλή μόνωση, επομένως δεν απαιτείται σύρμα γείωσης. Ελέγχετε πάντοτε αν η τάση τροφοδοσίας αντιστοιχεί σε αυτήν που αναγράφεται στην πινακίδα στοιχείων του εργαλείου.



Η βάση φόρτισης προορίζεται για χρήση σε εσωτερικούς χώρους μόνο.



**Προειδοποίηση!** Για να μειωθεί ο κίνδυνος τραυματισμού, ο χρήστης πρέπει να διαβάσει το εγχειρίδιο οδηγιών.

### Χαρακτηριστικά

1. Άνω σιαγώνα
2. Κάτω σιαγώνα
3. Ράβδος οδήγησης αλυσίδας
4. Κάλυμμα λίπανσης
5. Μάνταλο
6. Μπαταρία
7. Διακόπτες λειτουργίας on/off
8. Σημείο εξαγωγής απορριμμάτων κοπής
9. Φορτιστής

### Συναρμολόγηση

**Προειδοποίηση!** Πριν από τη συναρμολόγηση, αφαιρέστε την μπαταρία (6) από το εργαλείο.

#### Τοποθέτηση και αφαίρεση της μπαταρίας (εικ. Α)

- ◆ Για να τοποθετήσετε την μπαταρία (6), ευθυγραμμίστε την με την υποδοχή στο εργαλείο. Ολισθήστε την μπαταρία (6) μέσα στην υποδοχή και σπρώξτε την μέχρι να ασφαλίσει στη θέση της.
- ◆ Για να αφαιρέσετε την μπαταρία (6), πατήστε το κουμπί απασφάλισης (18) και ταυτόχρονα τραβήξτε την μπαταρία (6) έξω από την υποδοχή.

#### Τοποθέτηση της τάπας μπαταρίας (εικ. Κ)

**Προειδοποίηση!** Τοποθετήστε την τάπα (17) στην μπαταρία (6) για μεταφορά και αποθήκευση.

#### Ανοιγμα των χειρολαβών (εικ. Β)

- ◆ Για να ανοίξετε τις χειρολαβές, σπρώξτε το σύρτη (5) προς τα πίσω και τραβήξτε τις χειρολαβές προς τα έξω.
- ◆ Μετά τη χρήση κλείστε τις χειρολαβές και σπρώξτε το σύρτη (5) προς τα εμπρός στη θέση ασφάλισης.

Οι χειρολαβές πρέπει να είναι ασφαλισμένες κατά τη μεταφορά και την αποθήκευση.

### Ρύθμιση τάνυσης αλυσίδας (εικ. C)

**Προειδοποίηση!** Πριν από τη ρύθμιση τάνυσης της αλυσίδας ή άλλη ρύθμιση, βεβαιωθείτε ότι το εργαλείο είναι σβηστό και ότι έχει αφαιρεθεί η μπαταρία.

**Προειδοποίηση!** Η θερμοκρασία της ράβδου οδήγησης και της αλυσίδας πριονιού ενδέχεται να είναι υψηλή μετά τη χρήση. Περιμένετε μέχρι να μειωθεί η θερμοκρασία τους πριν να πραγματοποιήσετε τη ρύθμιση. Το προϊόν διατίθεται συναρμολογημένο, έτοιμο προς χρήση. Ωστόσο, συνηθίζουμε να ελέγξετε την τάνυση της αλυσίδας πριονιού (14) και τα μπουλόνια συγκράτησης του καλύμματος πρόσβασης στην αλυσίδα πριν από τη χρήση του εργαλείου και, ρυθμίστε εάν απαιτείται.

### Έλεγχος και ρύθμιση της τάνυσης της αλυσίδας πριονιού (εικ. C)

Για την τάνυση της αλυσίδας πριονιού (14), ξεσφίξτε τα δύο μπουλόνια συγκράτησης του καλύμματος πρόσβασης στην αλυσίδα (12) με το μηχανικό κλειδί (13), η διάταξη τάνυσης της αλυσίδας θα ωθήσει προς τα έξω τη ράβδο οδήγησης της αλυσίδας (3), ρυθμίζοντας τη σωστή τάνυση. Σφίξτε πάλι καλά τα δύο μπουλόνια συγκράτησης (12).

Ελέγξτε εάν έχει ρυθμιστεί σωστά η τάνυση τραβώντας ελαφρά την αλυσίδα πριονιού (14). Η τάνυση έχει ρυθμιστεί σωστά όταν η αλυσίδα πριονιού επανέρχεται αμέσως στη θέση της, αφού τραβηχτεί σε απόσταση 3 mm από τη ράβδο οδήγησης. Δεν πρέπει να υπάρχει "κοιλιά" μεταξύ της ράβδου οδήγησης αλυσίδας (3) και της αλυσίδας πριονιού (14) στην κάτω πλευρά.

**Σημείωση:** Μην τεντώσετε υπερβολικά την αλυσίδα πριονιού, καθώς αυτό θα προκαλέσει υπερβολική φθορά και θα μειώσει τη διάρκεια ζωής της ράβδου και της αλυσίδας πριονιού. Επίσης, θα μειώσει την απόδοση του προϊόντος.

**Σημείωση:** Κατά την πρώτη χρήση και όταν η αλυσίδα πριονιού είναι καινούρια, ελέγχετε συχνά την τάνυση, καθώς μια νέα αλυσίδα πριονιού επιμηκύνεται ελαφρά.

### Αντικατάσταση της αλυσίδας πριονιού και της ράβδου οδήγησης της αλυσίδας

Μετά από παρατεταμένη χρήση μπορεί να χρειάζεται η αντικατάσταση της αλυσίδας πριονιού (14) και/ή της ράβδου οδήγησης της αλυσίδας (3). Βεβαιωθείτε ότι σε αυτή την περίπτωση θα χρησιμοποιηθούν αποκλειστικά τα ανταλλακτικά που συνιστά η Black & Decker.

### Αφαίρεση της αλυσίδας πριονιού και της ράβδου οδήγησης της αλυσίδας (εικ. C και D)



Φοράτε πάντοτε προστατευτικά γάντια κατά την τοποθέτηση ή την αφαίρεση της αλυσίδας πριονιού (14). Η αλυσίδα πριονιού είναι κοφτερή και μπορεί να σας τραυματίσει χωρίς να βρίσκεται σε λειτουργία.

**Προειδοποίηση!** Η θερμοκρασία της ράβδου οδήγησης και της αλυσίδας πριονιού ενδέχεται να είναι υψηλή μετά τη χρήση. Περιμένετε μέχρι να μειωθεί η θερμοκρασία τους πριν από την αντικατάστασή τους.

- Τοποθετήστε το εργαλείο σε μια σταθερή επιφάνεια.
- Περιστρέψτε τα δύο μπουλόνια συγκράτησης (12) προς τα αριστερά, με το μηχανικό κλειδί (13) που παρέχεται, και αφαιρέστε τα.
- Αφαιρέστε το καλύμμα πρόσβασης της αλυσίδας (11).
- Σπρώξτε το σύρτη (5) στη θέση απασφάλισης, ανοίξτε τις χειρολαβές και τραβήξτε προς τα πίσω την άνω σιαγόνα (1).
- Τραβήξτε προς τα πίσω τη ράβδο οδήγησης της αλυσίδας (3) και, στη συνέχεια, τραβήξτε την αλυσίδα πριονιού (14) έξω από την εσοχή της ράβδου οδήγησης. Στη συνέχεια, η αλυσίδα πριονιού μπορεί να αφαιρεθεί από τη μονάδα.
- Τότε, η ράβδος οδήγησης της αλυσίδας (3) μπορεί να σηκωθεί υπό γωνία προς τα πάνω, και να αφαιρεθεί.

### Συναρμολόγηση της ράβδου οδήγησης της αλυσίδας και της αλυσίδας πριονιού (εικ. E και F)

**Προειδοποίηση!** Φοράτε πάντοτε προστατευτικά γάντια κατά την τοποθέτηση ή την αφαίρεση της αλυσίδας του πριονιού. Η αλυσίδα πριονιού είναι κοφτερή και μπορεί να σας τραυματίσει χωρίς να βρίσκεται σε λειτουργία.

- Βεβαιωθείτε ότι η διαδικασία πραγματοποιείται σε σταθερή επιφάνεια.
- Σπρώξτε το σύρτη (5) στη θέση απασφάλισης, ανοίξτε τις χειρολαβές και τραβήξτε προς τα πίσω την άνω σιαγόνα (1).

- ◆ Τοποθετήστε τη ράβδο οδήγησης της αλυσίδας (3) στο χώρο μεταξύ του εντατήρα της αλυσίδας και ευθυγραμμίστε με τη θέση τοποθέτησης της ράβδου οδήγησης της αλυσίδας, χαμηλώστε υπό γωνία τη ράβδο οδήγησης της αλυσίδας (3) επιβεβαιώνοντας ότι τοποθετήθηκε σωστά.
- ◆ Τοποθετήστε την αλυσίδα πριονιού (14) γύρω από το εμπρός τμήμα της ράβδου οδήγησης της αλυσίδας (3).
- ◆ Τραβήξτε τη ράβδο οδήγησης της αλυσίδας (3) και την αλυσίδα πριονιού (14) προς τα πίσω, προσαρμόζοντας την αλυσίδα στην εσοχή της ράβδου οδήγησης της αλυσίδας (3) και, στη συνέχεια, πάνω από τις οδοντώσεις τοποθέτησης του οδοντωτού τροχού (16), στη σωστή θέση πάνω στον τροχό.
- ◆ Τοποθετήστε ξανά το κάλυμμα πρόσβασης της αλυσίδας (11) και τα δύο μπουλόνια συγκράτησης (12), σφίγγοντάς τα καλά.
- ◆ Βεβαιωθείτε ότι έχει τοποθετηθεί σωστά η αλυσίδα πριονιού (14) σε σχέση με τα σημάδια στο εργαλείο.

### Λίπανση (εικ. G)

- ◆ Πριν από την πρώτη χρήση και μετά από κάθε δέκα λεπτά χρήσης, πρέπει να λαδώνετε το προϊόν με το κατάλληλο λάδι αλυσίδας. (Αριθμός καταλόγου A6027). Ανοίξτε το κάλυμμα λίπανσης (4) και εισαγάγετε τη φιάλη λαδιού στην οπή πλήρωσης λαδιού (15), ασκήστε πίεση μία φορά στη φιάλη για να χορηγηθεί λάδι.
- ◆ Αυτή η ποσότητα πρέπει να αρκεί για κοπή διάρκειας περίπου 10 λεπτών, ανάλογα με την ταχύτητα κοπής και τον τύπο του ξύλου.

Από την οπή, το λάδι διοχετεύεται στην αλυσίδα πριονιού, στη ράβδο οδήγησης της αλυσίδας (3), και, σε περίπτωση χορήγησης στη μονάδα πλεονάζουσας ποσότητας λαδιού, ενδέχεται να στάξει λάδι από τη μονάδα, γύρω από την περιοχή των σιαγώνων. Αυτό είναι φυσιολογικό και δεν αποτελεί αιτία ανησυχίας.

### Χρήση

#### Φόρτιση της μπαταρίας (εικ. H)

**Προειδοποίηση!** Αφήστε το εργαλείο να λειτουργήσει με το δικό του ρυθμό. Μην το υπερφορτώνετε.

#### Φόρτιση

**Προειδοποίηση!** Μη φορτίζετε την μπαταρία σε θερμοκρασίες περιβάλλοντος κάτω από 10°C ή επάνω από 40°C. Η συνιστώμενη θερμοκρασία φόρτισης είναι περίπου 24°C.

**Σημείωση:** Ο φορτιστής δεν θα φορτίσει μια μπαταρία με θερμοκρασία κυψέλης κάτω από περίπου 0°C ή πάνω από 60°C.

- ◆ Αφήστε τη μπαταρία στο φορτιστή και αυτός θα αρχίσει να τη φορτίζει αυτόματα μόλις η θερμοκρασία κυψέλης αυξηθεί ή μειωθεί αντίστοιχα.
- ◆ Συνδέστε το φορτιστή (9) και δώστε ρεύμα.
- ◆ Τοποθετήστε την μπαταρία (6) στο φορτιστή. Βεβαιωθείτε ότι η μπαταρία έχει εισαχθεί πλήρως στο φορτιστή (9).
- ◆ Η ενδεικτική λυχνία φόρτισης θα αρχίσει να αναβοσβήνει συνεχώς.
- ◆ Η φόρτιση έχει ολοκληρωθεί όταν η ενδεικτική λυχνία φόρτισης ανάψει σταθερά.
- ◆ Ο φορτιστής και η μπαταρία μπορούν να παραμείνουν συνδεδεμένα επ' αόριστον όσο η ενδεικτική λυχνία LED είναι αναμμένη. Η ενδεικτική λυχνία LED θα αναβοσβήνει (περνά σε κατάσταση φόρτισης), καθώς ο φορτιστής αναπληρώνει περιστασιακά το φορτίο της μπαταρίας.
- ◆ Η ενδεικτική λυχνία φόρτισης παραμένει αναμμένη για όσο διάστημα η μπαταρία είναι συνδεδεμένη με το φορτιστή στην πρίζα.

Φορτίζετε τις αποφορτισμένες μπαταρίες εντός 1 εβδομάδας. Η διάρκεια ζωής μιας μπαταρίας μειώνεται σημαντικά εάν αυτή αποθηκευτεί σε αποφορτισμένη κατάσταση.

#### Ενδεικτική λυχνία φόρτισης

Εάν ο φορτιστής εντοπίσει κάποιο πρόβλημα με μια μπαταρία, η ενδεικτική λυχνία φόρτισης αρχίζει να αναβοσβήνει με γρήγορο ρυθμό.

- ◆ Στην περίπτωση αυτή, επανατοποθετήστε την μπαταρία (6) στο φορτιστή.
- ◆ Εάν το πρόβλημα εξακολουθήσει να εμφανίζεται, τοποθετήστε μια άλλη μπαταρία στο φορτιστή για να εξακριβώσετε εάν ο φορτιστής είναι εντάξει.
- ◆ Εάν η νέα μπαταρία φορτίζεται σωστά, αυτό σημαίνει ότι η αρχική μπαταρία είναι ελαττωματική και θα πρέπει να επιστραφεί σε ένα κέντρο σέρβις για ανακύκλωση.
- ◆ Εάν η νέα μπαταρία δίνει την ίδια ένδειξη με την αρχική, πηγαίστε το φορτιστή για έλεγχο σε ένα εξουσιοδοτημένο κέντρο σέρβις.

**Σημείωση:** Μπορεί να χρειαστούν μέχρι και δεκαπέντε λεπτά για να εξακριβωθεί εάν η μπαταρία είναι ελαττωματική.

Εάν η μπαταρία είναι πολύ παλιά ή πολύ κρύα, η ενδεικτική λυχνία LED θα αναβοσβήνει εναλλάξ με γρήγορο και αργό ρυθμό, συγκεκριμένα, θα αναβοσβήνει μια φορά σε κάθε ρυθμό και πάλι από την αρχή.



## Προτοιμασία

- ◆ Καθαρίζετε σε τακτική βάση τη μονάδα, όπως περιγράφεται στην ενότητα για τη συντήρηση, και, ιδιαίτερα, καθαρίζοντας στο εσωτερικό του καλύμματος πρόσβασης στην αλυσίδα (11).
- ◆ Η κάτω σιαγώνα (2) και η άνω σιαγώνα (1) έχουν σχεδιαστεί έτσι, ώστε να κλείνουν όταν μία από τις λαβές απελευθερώνεται ή όταν ολοκληρώνεται η κοπή ενός κλαδιού. Εάν δεν συμβαίνει αυτό, διακόψτε τη λειτουργία του εργαλείου και βγάλτε την μπαταρία από το εργαλείο.
- ◆ Ελέγξτε εάν υπάρχουν ξένα σώματα που εμποδίζουν την κίνηση. Για τη διευκόλυνση αυτής της διαδικασίας, ενδέχεται να είναι απαραίτητο να αφαιρέσετε το κάλυμμα πρόσβασης στην αλυσίδα (11). Εάν μετά τη συναρμολόγηση το πρόβλημα εξακολουθεί να παρουσιάζεται, επιστρέψτε τη μονάδα σε εξουσιοδοτημένο κέντρο επισκευών.

## Ενεργοποίηση και απενεργοποίηση του εργαλείου

**Προειδοποίηση!** Ποτέ μην επιχειρήσετε να ασφαλίσετε ή να σταθεροποιήσετε ένα διακόπτη λειτουργίας στη θέση on.

Για την ασφάλειά σας, αυτό το εργαλείο είναι εξοπλισμένο με διπλό σύστημα ενεργοποίησης. Αυτό το σύστημα εμποδίζει το να τεθεί ακούσια το εργαλείο σε λειτουργία.

### Ενεργοποίηση εργαλείου (εικ. Ι)

Κρατήστε σταθερά τις λαβές και, στη συνέχεια, πιέστε και τους δύο διακόπτες λειτουργίας (5) για να θέσετε τη μονάδα σε λειτουργία.

### Απενεργοποίηση (εικ. Ι)

Απελευθερώστε έναν από τους διακόπτες.

**Σημείωση:** Για να λειτουργήσει το προϊόν, πρέπει να ασκείται πίεση και στους δύο διακόπτες.

Μην πιέζετε το εργαλείο - αφήστε το να λειτουργήσει με το δικό του ρυθμό. Η εργασία θα γίνει καλύτερα και με μεγαλύτερη ασφάλεια εάν το εργαλείο λειτουργεί με την ταχύτητα για την οποία έχει σχεδιαστεί. Η άσκηση υπερβολικής δύναμης καταπονεί την αλυσίδα πριονιού.

Σε περίπτωση εμπλοκής της αλυσίδας (14) ή της ράβδου οδήγησης (3):

- ◆ Σβήστε το εργαλείο.
- ◆ Αποσυνδέστε την μπαταρία από το εργαλείο.

Ανοίξτε το σημείο κοπής με σφήνες για να απαλλάξετε από την πίεση τη ράβδο οδήγησης. Μην επιχειρήσετε να απελευθερώσετε το πριόνι τραβώντας με δύναμη. Ξεκινήστε από νέο σημείο κοπής.

## Κλάδεμα κλαδιών (εικ. J)

Βεβαιωθείτε ότι δεν υπάρχουν τοπικοί νόμοι ή κανονισμοί που απαγορεύουν ή περιορίζουν το κλάδεμα των κλαδιών των δέντρων.

- ◆ Βεβαιωθείτε ότι το εργαλείο λειτουργεί με τη μέγιστη ταχύτητα πριν να πραγματοποιήσετε κοπή.
- ◆ Κρατήστε σταθερά το εργαλείο, για να αποφύγετε πιθανή αναπήδηση ή μετατόπισή του στο πλάι.
- ◆ Κατευθύνετε το εργαλείο ασκώντας μικρή πίεση.
- ◆ Πάντοτε, κόβετε προς τα κάτω, ξεκινώντας από πάνω. Με αυτό τον τρόπο, αποφεύγετε το ενδεχόμενο να μαγκώσει η αλυσίδα του πριονιού (14).
- ◆ Κλαδεύετε τα κλαδιά όπως φαίνεται στην εικόνα J. Ξεκινώντας από το άκρο του κλαδιού, αρχίστε να κόβετε σταδιακά το κλαδί, σε λογικά βήματα, αποκόβοντας μικρά τμήματά του.
- ◆ Απομακρύνετε το εργαλείο από το σημείο κοπής ενώ λειτουργεί με τη μέγιστη ταχύτητά του.

## Συντήρηση

Αυτή η συσκευή/εργαλείο με καλώδιο/χωρίς καλώδιο της Black & Decker έχει σχεδιαστεί έτσι ώστε να λειτουργεί για μεγάλο χρονικό διάστημα με την ελάχιστη δυνατή συντήρηση. Η αδιάλειπτη και ικανοποιητική λειτουργία της συσκευής εξαρτάται από τη φροντίδα και τον τακτικό καθαρισμό.

**Προειδοποίηση!** Πριν πραγματοποιήσετε οποιαδήποτε συντήρηση σε ηλεκτρικές συσκευές με καλώδιο/χωρίς καλώδιο.

- ◆ Απενεργοποιήστε και αποσυνδέστε τη συσκευή/εργαλείο από την πρίζα
- ◆ Ή απενεργοποιήστε και αφαιρέστε την μπαταρία από τη συσκευή/εργαλείο εάν η συσκευή/εργαλείο διαθέτει ξεχωριστή μπαταρία
- ◆ Ή χρησιμοποιήστε την μπαταρία μέχρι να αδειάσει εντελώς και στη συνέχεια απενεργοποιήστε
- ◆ Πριν καθαρίσετε το φορτιστή, αποσυνδέστε τον από την πρίζα. Ο φορτιστής σας δεν απαιτεί κάποια συντήρηση εκτός του τακτικού καθαρισμού.

Να καθαρίζετε τακτικά τις εγχοπές εξαιρισμού της συσκευής/εργαλείου/φορτιστή με μια μαλακή βούρσα ή με ένα στεγνό πανί.

Να καθαρίζετε τακτικά το περίβλημά του μοτέρ με ένα καθαρό και υγρό πανί. Μη χρησιμοποιείτε λιπαντικά ή υγρά καθαρισμού που περιέχουν διαλυτικά.

Να ανοίγετε τακτικά το τσοκ και να το χτυπάτε ελαφρά για να αφαιρείται η σκόνη από το εσωτερικό του (Εφάρμοση εφευρεσμένη).

## Καθαρισμός

- ◆ Αφαιρείτε σε τακτική βάση το κάλυμμα πρόσβασης της αλυσίδας (11) για να απομακρύνετε τυχόν ξένα σώματα που έχουν παγιδευτεί στο εσωτερικό του.
- ◆ Καθαρίζετε σε τακτική βάση τις εγκοπές εξαιρισμού με ένα καθαρό, στεγνό πινέλο βαφής.
- ◆ Για τον καθαρισμό του εργαλείου, χρησιμοποιήστε αποκλειστικά ήπιο σαπούνι και υγρό πανί. Μην επιτρέψετε ποτέ να εισέλθει υγρό στο εσωτερικό του εργαλείου και μη βυθίσετε ποτέ οποιοδήποτε εξάρτημα του εργαλείου σε υγρό.

## Λίπανση

- ◆ Λαδώνετε τακτικά τα σημεία λίπανσης (15), όπως υποδεικνύεται στην εικόνα D.

## Μεταφορά

- ◆ Μεταφέρετε πάντα το εργαλείο με τις χειρολαβές κλειστές και το σύρτη (5) στη θέση ασφάλισης.

## Ακόνισμα της αλυσίδας του πριονιού.

Για την καλύτερη δυνατόν απόδοση του εργαλείου, είναι σημαντικό να κρατάτε τα δόντια της αλυσίδας ακονισμένα. Οι οδηγίες για αυτήν την διαδικασία βρίσκονται στο πακέτο του ακονιστή. Για τον σκοπό αυτό συνιστάται να αγοράσετε το σετ ακόνισματος αλυσίδας πριονιού A6039 της Black & Decker (διατίθεται στα εξουσιοδοτημένα κέντρα επισκευών και επιλεγμένους αντιπροσώπους της Black & Decker).

## Αντικατάσταση των φθαρμένων αλυσίδων

Τα εξουσιοδοτημένα κέντρα επισκευών της Black & Decker διαθέτουν ανταλλακτικές αλυσίδες. Να χρησιμοποιείτε πάντα γνήσια ανταλλακτικά.

## Ικανότητα κοπής της αλυσίδας πριονιού

Οι κόφτες της αλυσίδας θα στομώσουν αμέσως εάν έρθουν σε επαφή με το έδαφος ή ένα καρφί κατά τη διάρκεια της κοπής.

## Τάση της αλυσίδας πριονιού

Να ελέγχετε τακτικά την τάση της αλυσίδας.

## Αν το αλυσοπρίονο χρειάζεται επισκευή

Το εργαλείο σας πληροί τις σχετικές προδιαγραφές ασφαλείας. Οι επισκευές θα πρέπει να γίνονται μόνο από ειδικευμένους τεχνικούς και με τη χρήση αποκλειστικά γνήσιων ανταλλακτικών, διαφορετικά υπάρχει το ενδεχόμενο σοβαρού κινδύνου για το χρήστη. Συνιστάται να φυλάσσετε αυτό το εγχειρίδιο χρήσης σε ένα ασφαλές μέρος.

## Αποθήκευση

Εάν το εργαλείο δεν πρόκειται να χρησιμοποιηθεί για αρκετούς μήνες, επαλείψτε τα μεταλλικά εξάρτηματα με λάδι. Θα ήταν καλό να αφήσετε το εργαλείο συνδεδεμένο με το φορτιστή (6).

Προχωρήστε στα ακόλουθα:

- ◆ Φορτίστε πλήρως την μπαταρία (6).
- ◆ Αφαιρέστε την μπαταρία (6) από το εργαλείο.
- ◆ Αποθηκεύστε το εργαλείο και την μπαταρία (6) σε ασφαλές και στεγνό μέρος. Η θερμοκρασία αποθήκευσης πρέπει πάντοτε να παραμένει μεταξύ +5°C και +40°C. Τοποθετήστε την μπαταρία (6) σε επίπεδη επιφάνεια.
- ◆ Πριν από τη χρήση του εργαλείου μετά από παρατεταμένη αποθήκευση, φορτίστε την μπαταρία (6) ξανά.

## Προστασία του περιβάλλοντος



Επιλεκτική περισυλλογή. Αυτό το προϊόν δεν πρέπει να απορρίπτεται μαζί με τα κοινά οικιακά απορρίμματα.

Εάν κάποια μέρα διαπιστώσετε ότι το προϊόν σας Black & Decker χρειάζεται αντικατάσταση, ή ότι δεν το χρειάζεστε άλλο, μην το απορρίψετε μαζί με τα κοινά οικιακά απορρίμματα αλλά κάντε αυτό το προϊόν διαθέσιμο για ανεξάρτητη αποκομιδή.



Η ανεξάρτητη συλλογή των μεταχειρισμένων προϊόντων και των υλικών συσκευασίας δίνει τη δυνατότητα ανακύκλωσης και επαναχρησιμοποίησης των υλικών. Με την επαναχρησιμοποίηση των ανακυκλωμένων υλικών αποτρέπεται η μόλυνση του περιβάλλοντος και μειώνεται η ζήτηση πρώτων υλών.

Οι κανονισμοί που ισχύουν στην περιοχή σας ενδέχεται να προβλέπουν την επιλεκτική περισυλλογή των ηλεκτρικών συσκευών που προέρχονται από νοικοκυριά σε κρατικές εγκαταστάσεις ή από τον έμπορο όταν αγοράσετε ένα καινούργιο προϊόν.

Η Black & Decker δίνει τη δυνατότητα ανακύκλωσης των προϊόντων της που έχουν συμπληρώσει τη διάρκεια ζωής τους. Για να χρησιμοποιήσετε αυτήν την υπηρεσία, επιστρέψτε το προϊόν σας σε οποιοδήποτε εξουσιοδοτημένο κέντρο επισκευών, όπου θα το παραλάβουν εκ μέρους μας.

Ενημερωθείτε για το πλησιέστερο εξουσιοδοτημένο κέντρο επισκευών της περιοχής σας, επικοινωνώντας με τα γραφεία της Black & Decker στη διεύθυνση που αναγράφεται στο εγχειρίδιο. Επίσης, για να πληροφορηθείτε για τα εξουσιοδοτημένα κέντρα επισκευών της Black & Decker και τους αρμόδιους των υπηρεσιών που παρέχονται μετά την πώληση, μπορείτε να ανατρέξετε στο Διαδίκτυο, στη διεύθυνση: [www.2helpU.com](http://www.2helpU.com).

### Μπαταρίες



Στο τέλος της ωφέλιμης ζωής τους, απορρίψτε τις μπαταρίες με την πρόποσα φροντίδα για το περιβάλλον μας:

- Μη βραχυκυκλώνετε τους ακροδέκτες της μπαταρίας.
- Μην απορρίπτετε την(τις) μπαταρία(ες) στη φωτιά, επειδή μπορεί να προκληθεί κίνδυνος προσωπικού τραυματισμού ή έκρηξη.
- Χρησιμοποιήστε τη συσκευή μέχρι να αδειάσει εντελώς η μπαταρία και στη συνέχεια αφαιρέστε τη από τη συσκευή.
- Οι μπαταρίες είναι ανακυκλώσιμες. Τοποθετήστε την(τις) μπαταρία(ες) σε κατάλληλη συσκευασία για να εξασφαλίσετε ότι οι ακροδέκτες δεν μπορούν να βραχυκυκλώσουν. Παραδώστε τις σε οποιονδήποτε εξουσιοδοτημένο αντιπρόσωπο επισκευών ή στον πλησιέστερο σταθμό ανακύκλωσης της περιοχής σας.

### Τεχνικά χαρακτηριστικά

<b>GK1000L H1</b>	
Τάση	Vdc 18
Ταχύτητα αλυσίδας (χωρίς φορτίο)	m/min 1,9
Μέγιστη διάμετρος κοπής	mm 100
Βάρος	kg 3,5

<b>Μπαταρία A1518L</b>	
Τάση	Vdc 18
Ρεύμα εξόδου	A 3,7
Χωρητικότητα	Ah 1,5
Μπαταρία	Τύπος Li-Ion
Βάρος	kg 0,45

<b>Φορτιστής 9053954*</b>	
Τάση εισόδου	Vac 230
Τάση εξόδου	Vdc 21
Ρεύμα εξόδου	A 1,9
Κατά προσέγγιση χρόνος φόρτισης	
Μπαταρία 1,5 Ah	ώρες 1
Βάρος	kg 0,5

Εγγυημένο επίπεδο ηχητικής πίεσης, το οποίο μετράται σύμφωνα με το πρότυπο: 2000/14/EK.

$L_{pA}$  (ηχητική πίεση) 85 dB(A), αβεβαιότητα (K) 3 dB(A)

$L_{WA}$  (ηχητική ισχύς) 96 dB(A), αβεβαιότητα (K) 3 dB(A)

$L_{WA}$  (εγγυημένο επίπεδο) 97 dB(A)

Οι συνολικές τιμές δόνησης (διανυσματικό άθροισμα τριών αξόνων) καθορίστηκαν σύμφωνα με το πρότυπο EN 60745:

Κοπή μαλακού ξύλου ( $a_h$ ) = 3,8 m/s<sup>2</sup>,

αβεβαιότητα (K) = 1,5 m/s<sup>2</sup>

## Δήλωση συμμόρφωσης με την Ευρωπαϊκή Κοινότητα

ΟΔΗΓΙΑ ΠΕΡΙ ΜΗΧΑΝΗΜΑΤΩΝ  
ΟΔΗΓΙΑ ΓΙΑ ΘΟΡΥΒΟΥΣ ΣΕ ΕΞΩΤΕΡΙΚΟΥΣ ΧΩΡΟΥΣ



### GKC1000L

Η Black & Decker δηλώνει ότι αυτά τα προϊόντα που περιγράφονται στα "τεχνικά χαρακτηριστικά" συμμορφώνονται με:

2006/42/EK

EN60745-1

2000/14/EK, Αλυσοπίρινο, Παράρτημα VI

Στάθμη ηχητικής πίεσης, μετρημένης σύμφωνα με το πρότυπο 2000/14/EK

$L_{WA}$  (μετρημένη ηχητική ισχύς) dB 85

$L_{WA}$  (εγγυημένη ηχητική ισχύς) dB 97

Για περισσότερες πληροφορίες, παρακαλούμε επικοινωνήστε με την Black & Decker στην παρακάτω διεύθυνση ή ανατρέξτε στο πίσω μέρος του εγχειριδίου.

Ο κάτωθι υπογεγραμμένος είναι υπεύθυνος για την κατάρτιση του τεχνικού φακέλου και δηλώνει τα παρόντα εκ μέρους της Black & Decker.

Kevin Hewitt

Vice-President Global Engineering

Black & Decker Europe,

210 Bath Road, Slough,

Berkshire, SL1 3YD

Ηνωμένο Βασίλειο

22-02-2010

Για το κλαδευτήρι Alligator™ έχουν υποβληθεί αιτήσεις διπλωμάτων ευρεσιτεχνίας και κατοχύρωσης σχεδίασης στην Ευρώπη, στις Ηνωμένες Πολιτείες και σε άλλες χώρες, παγκοσμίως. Η επωνυμία ALLIGATOR αποτελεί εμπορικό σήμα της Black & Decker Corporation.

## Εγγύηση

Η Black & Decker είναι σίγουρη για την ποιότητα των προϊόντων της και παρέχει σημαντική εγγύηση. Η παρούσα γραπτή εγγύηση αποτελεί πρόσθετο δικαίωμά σας και δεν ζημιώνει τα νόμιμα δικαιώματά σας. Η εγγύηση ισχύει εντός της επικράτειας των Κρατών Μελών της Ευρωπαϊκής Ένωσης και της Ευρωπαϊκής Ζώνης Ελευθέρων Συναλλαγών.

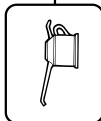
Σε περίπτωση που κάποιο προϊόν της Black & Decker παρουσιάσει βλάβη εξαιτίας ελαττωματικών υλικών, ποιότητας εργασίας ή έλλειψης συμφωνίας με τις προδιαγραφές εντός 24 μηνών από την ημερομηνία αγοράς, η Black & Decker εγγυάται την αντικατάσταση των ελαττωματικών τμημάτων, την επισκευή προϊόντων που έχουν υποστεί εύλογη φθορά λόγω χρήσης ή την αντικατάσταση των προϊόντων προκειμένου να εξασφαλίσει την ελάχιστη ενόχληση στους πελάτες της, εκτός εάν:

- ◆ Το προϊόν έχει χρησιμοποιηθεί σε εργασιακό, επαγγελματικό περιβάλλον ή αν έχει ενοικιαστεί.
- ◆ Έχει γίνει εσφαλμένη χρήση του προϊόντος ή έχει παραμεληθεί.
- ◆ Το προϊόν έχει υποστεί βλάβη από άλλα αντικείμενα, από ουσίες ή λόγω ατυχήματος.
- ◆ Έχει γίνει προσπάθεια επισκευής από μη εξουσιοδοτημένα κέντρα επισκευών ή από προσωπικό που δεν ανήκει στο προσωπικό της Black & Decker.

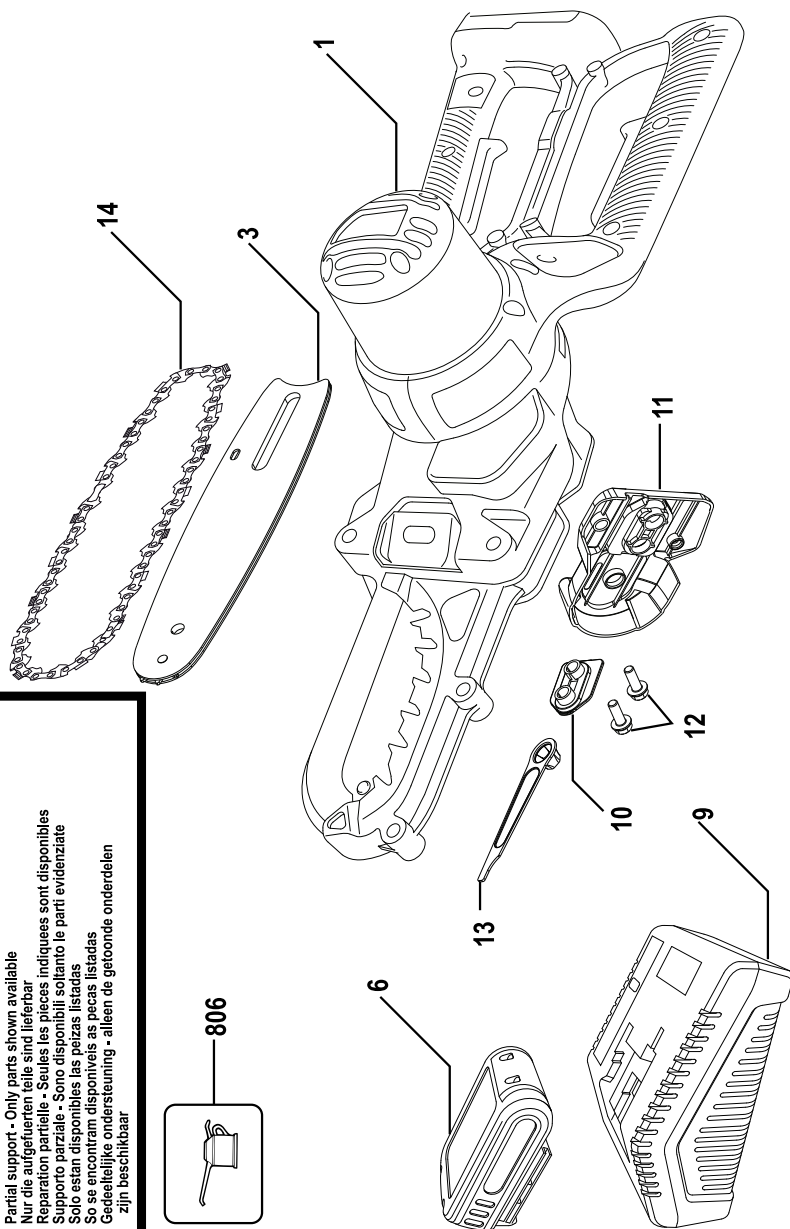
Για να ισχύσει η εγγύηση, πρέπει να υποβάλετε απόδειξη αγοράς στον πωλητή ή το εξουσιοδοτημένο κέντρο επισκευών. Ενημερωθείτε για το πλησιέστερο εξουσιοδοτημένο κέντρο επισκευών της περιοχής σας, επικοινωνώντας με τα γραφεία της Black & Decker στη διεύθυνση που αναγράφεται στο εγχειρίδιο. Επίσης, για να πληροφορηθείτε για τα εξουσιοδοτημένα κέντρα επισκευών της Black & Decker και τους αρμόδιους των υπηρεσιών που παρέχονται μετά την πώληση, μπορείτε να ανατρέξετε στο Διαδίκτυο, στη διεύθυνση: [www.2helpU.com](http://www.2helpU.com).

Παρακαλούμε επισκεφθείτε την ιστοσελίδα μας [www.blackanddecker.eu](http://www.blackanddecker.eu) για να καταχωρήσετε το νέο σας προϊόν Black & Decker και για να ενημερωνεστε για τα νέα προϊόντα και τις ειδικές προσφορές. Περισσότερες πληροφορίες σχετικά με τη μάρκα Black & Decker και τη σειρά των προϊόντων μας θα βρείτε στη διεύθυνση [www.blackanddecker.eu](http://www.blackanddecker.eu).

Partial support - Only parts shown available  
Nur die aufgeführten Teile sind lieferbar  
Reparation partielle - Seules les pieces indiquees sont disponibles  
Supporto parziale - Sono disponibili soltanto le parti evidenziate  
Solo estan disponibles las pezas listadas  
So se encontraran disponibles as pecas listadas  
Gedeeltelijke ondersteuning - alleen de getoonde onderdelen zijn beschikbaar



806



ENGLISH

**Do not forget to register your product!**  
**[www.blackanddecker.co.uk/productregistration](http://www.blackanddecker.co.uk/productregistration)**

Register your product online at **[www.blackanddecker.co.uk/productregistration](http://www.blackanddecker.co.uk/productregistration)** or send your name, surname and product code to Black & Decker in your country.

DEUTSCH

**Vergessen Sie nicht, Ihr Produkt registrieren zu lassen!**  
**[www.blackanddecker.de/productregistration](http://www.blackanddecker.de/productregistration)**

Lassen Sie Ihr Produkt unter **[www.blackanddecker.de/productregistration](http://www.blackanddecker.de/productregistration)** online registrieren oder schicken Sie Ihren Nachnamen, Vornamen und den Produktcode an Black & Decker in Ihrem Land.

FRANÇAIS

**N'oubliez pas d'enregistrer votre produit !**  
**[www.blackanddecker.fr/productregistration](http://www.blackanddecker.fr/productregistration)**

Enregistrez votre produit en ligne sur **[www.blackanddecker.fr/productregistration](http://www.blackanddecker.fr/productregistration)** ou envoyez vos nom, prénom et code produit à Black & Decker dans votre pays.

ITALIANO

**Non dimenticate di registrare il prodotto!**  
**[www.blackanddecker.it/productregistration](http://www.blackanddecker.it/productregistration)**

Registrate il prodotto online su **[www.blackanddecker.it/productregistration](http://www.blackanddecker.it/productregistration)** o inviate nome, cognome e codice del prodotto al centro Black & Decker del vostro paese.

NEDERLANDS

**Vergeet niet uw product te registreren!**  
**[www.blackanddecker.nl/productregistration](http://www.blackanddecker.nl/productregistration)**

U kunt uw product online registreren op **[www.blackanddecker.nl/productregistration](http://www.blackanddecker.nl/productregistration)** of u kunt uw voornaam, achternaam en productcode opsturen naar Black & Decker in uw land.

ESPAÑOL

**¡No olvide registrar su producto!**  
**[www.blackanddecker.es/productregistration](http://www.blackanddecker.es/productregistration)**

Registre su producto on-line en **[www.blackanddecker.es/productregistration](http://www.blackanddecker.es/productregistration)** o envíe su nombre, apellidos y código de producto a Black & Decker en su país.

PORTUGUÊS

**Não se esqueça de registrar o seu produto!**  
**[www.blackanddecker.pt/productregistration](http://www.blackanddecker.pt/productregistration)**

Registe o seu produto online em **[www.blackanddecker.pt/productregistration](http://www.blackanddecker.pt/productregistration)** ou envie o seu nome, apelido e código do produto para a Black & Decker no seu país.

SVENSKA

**Glöm inte att registrera produkten!**  
**[www.blackanddecker.se/productregistration](http://www.blackanddecker.se/productregistration)**

Registrera produkten online på **[www.blackanddecker.se/productregistration](http://www.blackanddecker.se/productregistration)** eller skicka namn och produktkod till Black & Decker i landet du bor i.

NORSK

**Ikke glem å registrere produktet ditt!**  
**[www.blackanddecker.no/productregistration](http://www.blackanddecker.no/productregistration)**

Registrer produktet ditt online på **[www.blackanddecker.no/productregistration](http://www.blackanddecker.no/productregistration)**, eller send ditt navn, etternavn og produktkode til Black & Decker i ditt eget land.

DANSK

**Glem ikke at registrere dit produkt!**  
**[www.blackanddecker.dk/productregistration](http://www.blackanddecker.dk/productregistration)**

Registrer dit produkt på internettet på: **[www.blackanddecker.dk/productregistration](http://www.blackanddecker.dk/productregistration)** eller send dit navn, efternavn og produktkode til Black & Decker i dit eget land.

SUOMI

**Muistathan rekisteröidä tuotteesi!**  
**[www.blackanddecker.fi/productregistration](http://www.blackanddecker.fi/productregistration)**

Rekisteröi tuotteesi verkossa osoitteessa **[www.blackanddecker.fi/productregistration](http://www.blackanddecker.fi/productregistration)** tai lähetä etunimesi, sukunimesi ja tuotekoodi oman maasi Black & Decker -edustajalle.

ΕΛΛΗΝΙΚΑ

**Μην ξεχάσετε να καταχωρίσετε το προϊόν σας!**  
**[www.blackanddecker.gr/productregistration](http://www.blackanddecker.gr/productregistration)**

Καταχωρίστε το προϊόν σας σε σύνδεση στη σελίδα **[www.blackanddecker.gr/productregistration](http://www.blackanddecker.gr/productregistration)** ή στείλτε το όνομα, επίθετο σας και τον κωδικό πριονωτός στη Black & Decker στη χώρα σας.

<b>België/Belgique</b>	Black & Decker (Belgium) N.V. Nieuwlandlaan 321 3200 Aarschot	Tel. Fax	016 68 91 00 016 68 91 11
<b>Danmark</b>	Black & Decker Sluseholmen 2-4, 2450 København SV Internet: <a href="http://www.blackanddecker.dk">www.blackanddecker.dk</a>	Tel. Fax	70 20 15 10 70 22 49 10
<b>Deutschland</b>	Black & Decker GmbH Black & Decker Str. 40, D - 65510 Idstein	Tel. Fax	06126/21 - 0 06126/21 29 80
<b>Ελλάδα</b>	Black & Decker (Ελλάς) A.E. Στράβωνος 7 & Λεωφ. Βουλιαγμένης 159 166 74 Γλυφάδα - Αθήνα	Τηλ. Φαξ www.blackanddecker.eu	210 8981616 210 8983285
<b>España</b>	Black & Decker Ibérica, S.C.A. Parc de Negocis "Mas Blau" Edificio Muntadas, c/Bergadá, 1, Of. A6 08820 El Prat de Llobregat (Barcelona)	Tel. Fax	934 797 400 934 797 419
<b>France</b>	Black & Decker (France) S.A.S. B.P. 21, 69571 Dardilly Cédex	Tel. Fax	04 72 20 39 20 04 72 20 39 00
<b>Helvetia</b>	ROFO AG Gewerbezone Seeblick 3213 Kleinbösingen	Tel. Fax	026-6749391 026-6749394
<b>Italia</b>	Black & Decker Italia SpA Viale Elvezia 2 20052 Monza (MI)	Tel. Fax Numero verde	039-23871 039-2387592/2387594 800-213935
<b>Nederland</b>	Black & Decker Benelux Joulehof 12, 4622 RG Bergen op Zoom	Tel. Fax	0164 - 283000 0164 - 283100
<b>Norge</b>	Black & Decker (Norge) A/S Postboks 4814, Nydalen, 0422 Oslo Internet: <a href="http://www.blackanddecker.no">www.blackanddecker.no</a>	Tlf. Fax	22 90 99 00 22 90 99 01
<b>Österreich</b>	Black & Decker Vertriebsges.m.b.H Oberlaaerstraße 246, A1100 Wien	Tel. Fax	01 66116-0 01 66116-14
<b>Portugal</b>	Black & Decker Rua Egas Moniz 173 S. João do Estoril 2766-651 Estoril	Tel. Fax	214667500 214667580
<b>Suomi</b>	Black & Decker Oy Keilasatama 3, 02150 Espoo Black & Decker Oy, Kägelhamnen 3, 02150 Esbo	Puh. Faksi Tel. Fax	010 400 430 (09) 2510 7100 010 400 430 (09) 2510 7100
<b>Sverige</b>	Black & Decker AB Fabriksg. 7, 412 50 Göteborg	Tel. Fax	031-68 60 60 031-68 60 80
<b>United Kingdom</b>	Black & Decker 210 Bath Road Slough, Berkshire SL1 3YD	Tel. Fax Helpline	01753 511234 01753 551155 01753 574277
<b>Middle East &amp; Africa</b>	Black & Decker (Overseas) A.G. PB 5420, Dubai, United Arab Emirates	Tel. Fax	+971 4 2826464 +971 4 2826466