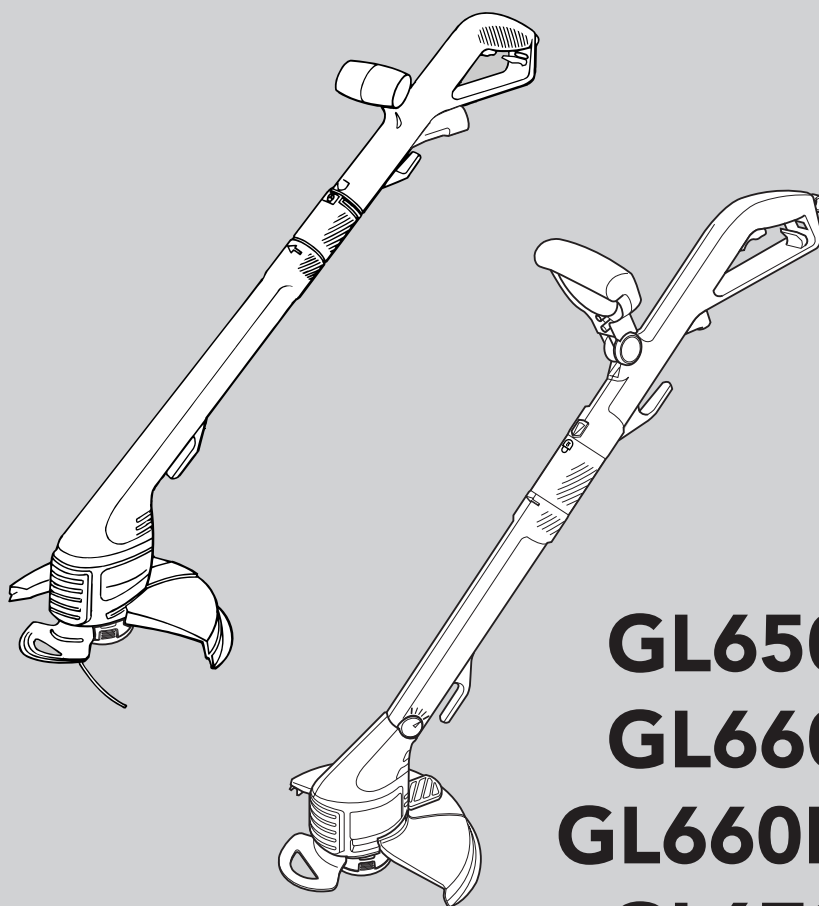




 **BLACK &
DECKER**®



GL650

GL660

GL660P

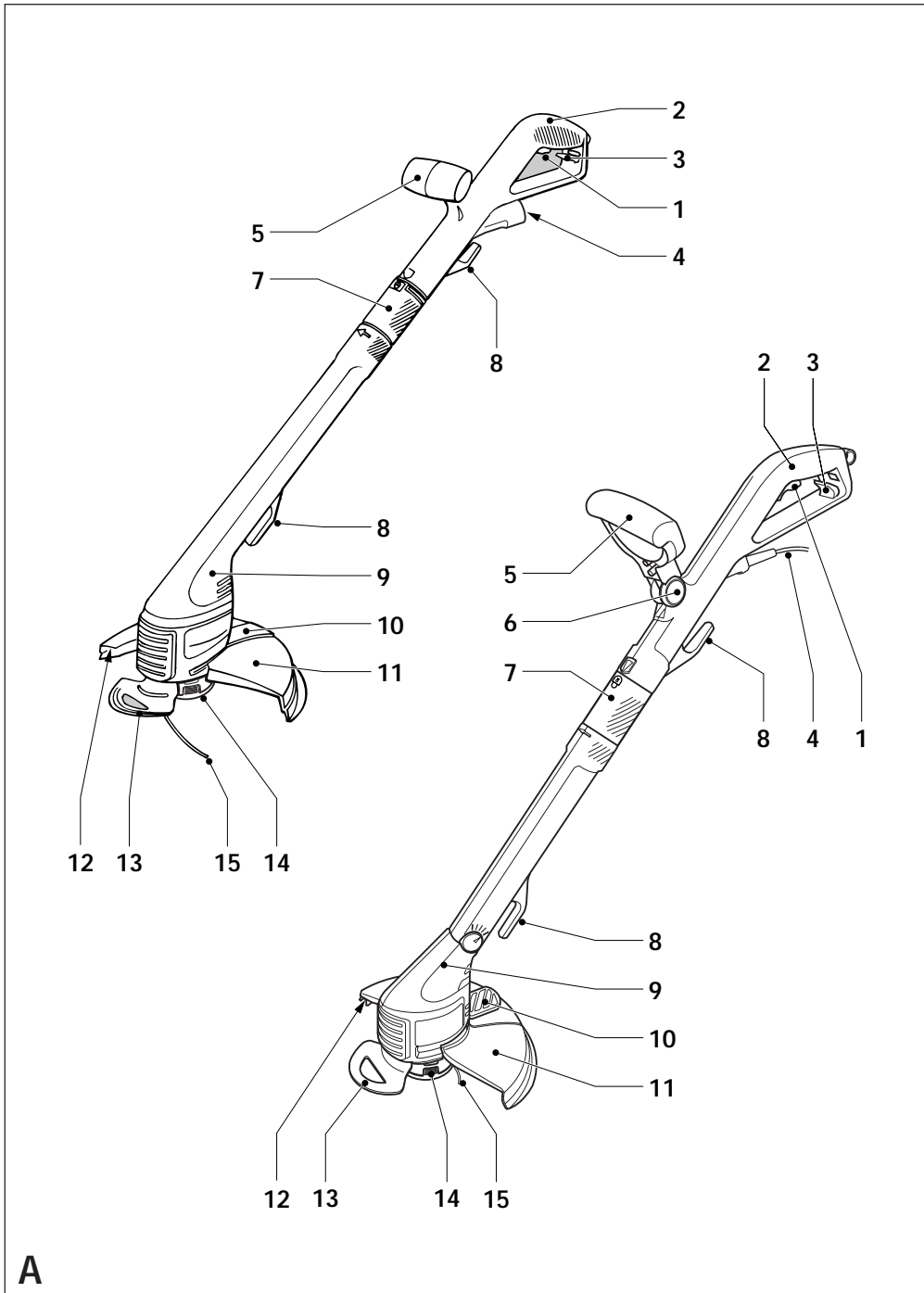
GL670

GL670P

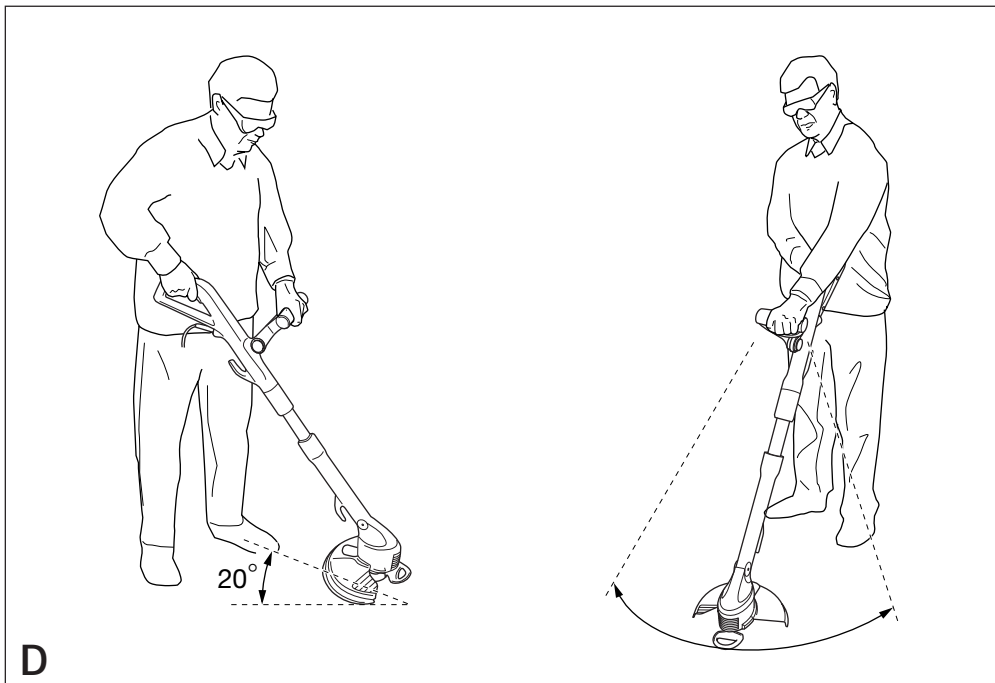
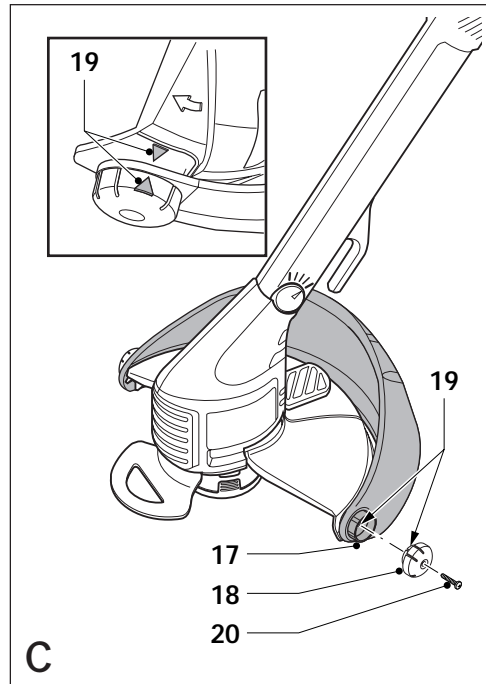
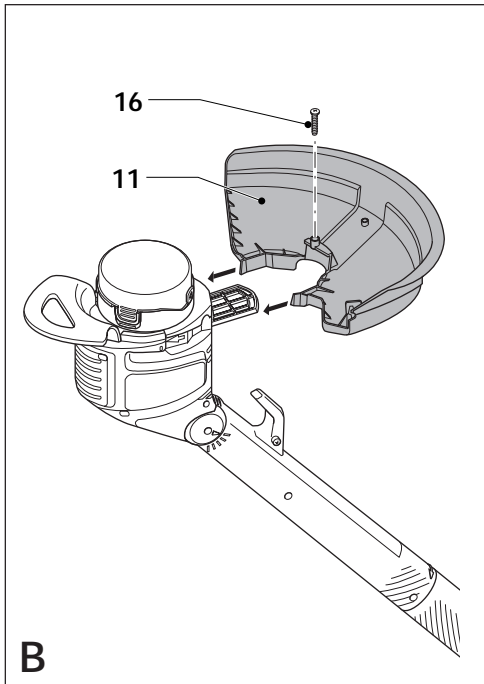


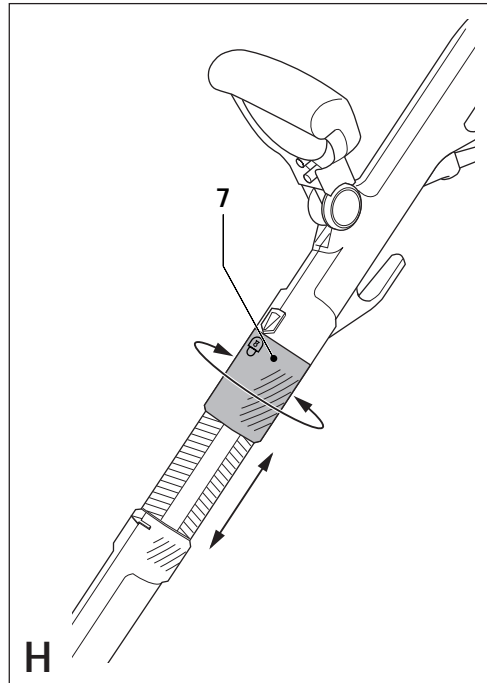
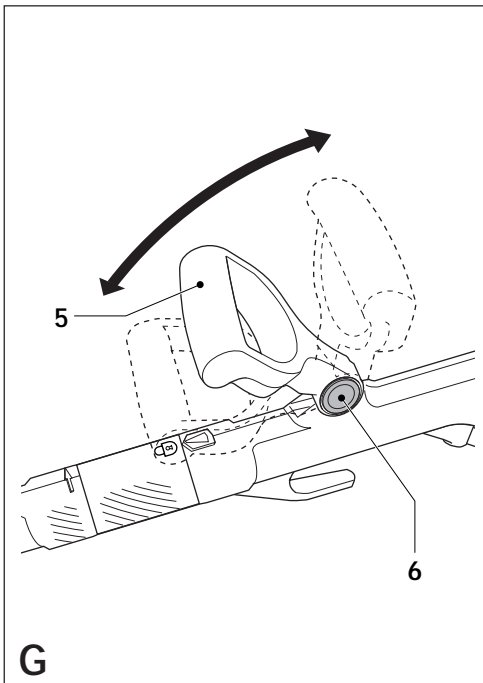
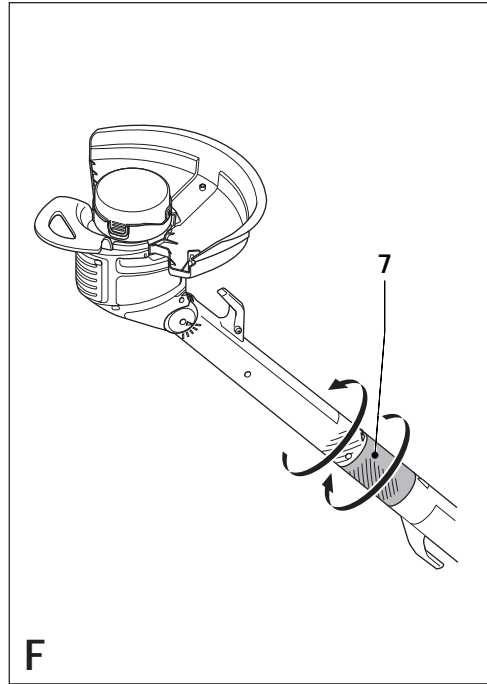
English	8
Svenska	16
Norsk	23
Dansk	30
Suomi	37

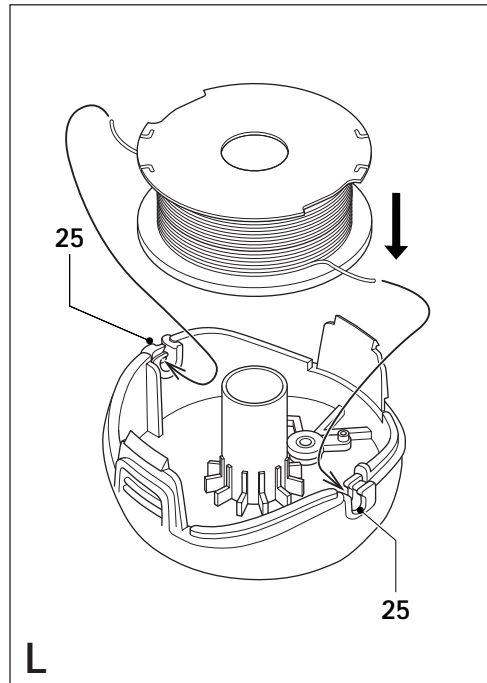
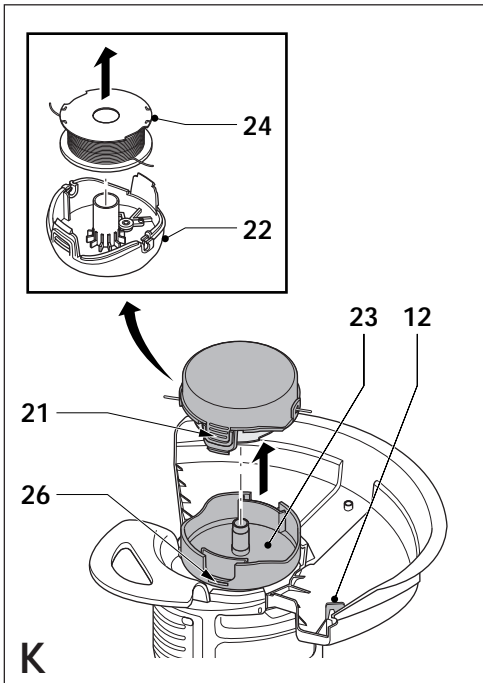
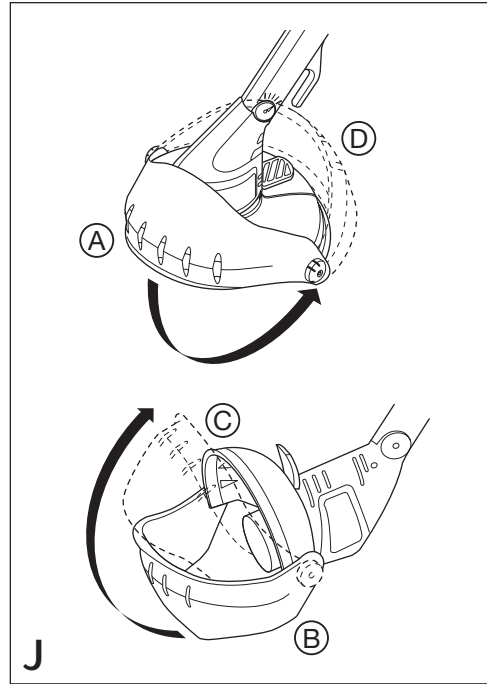
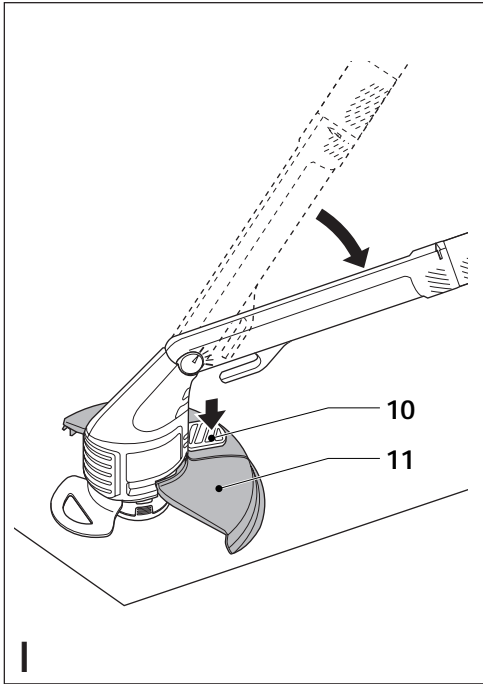


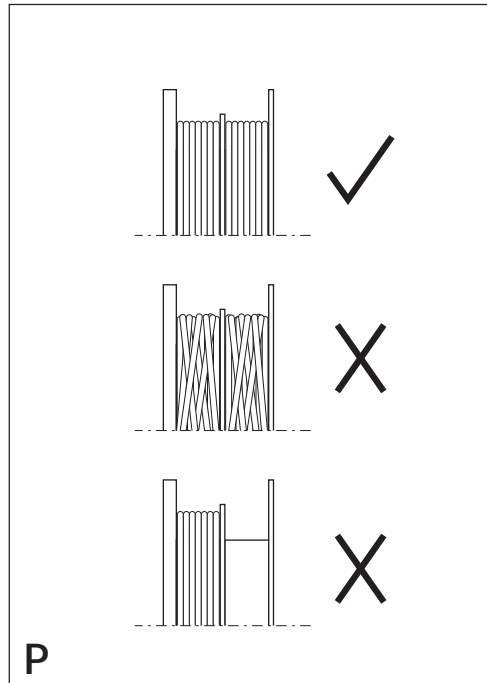
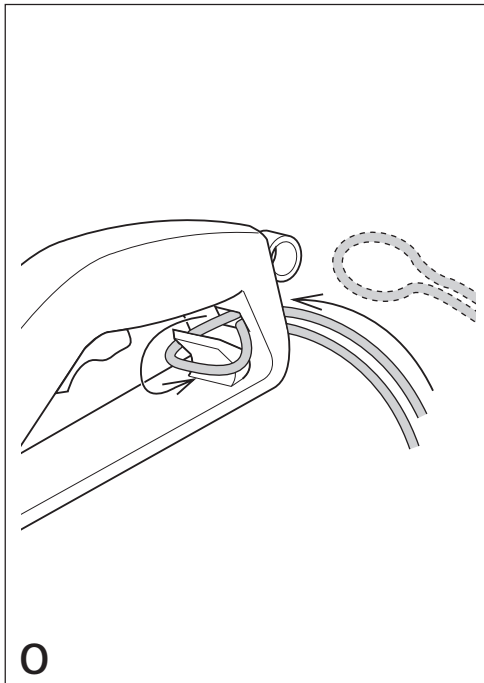
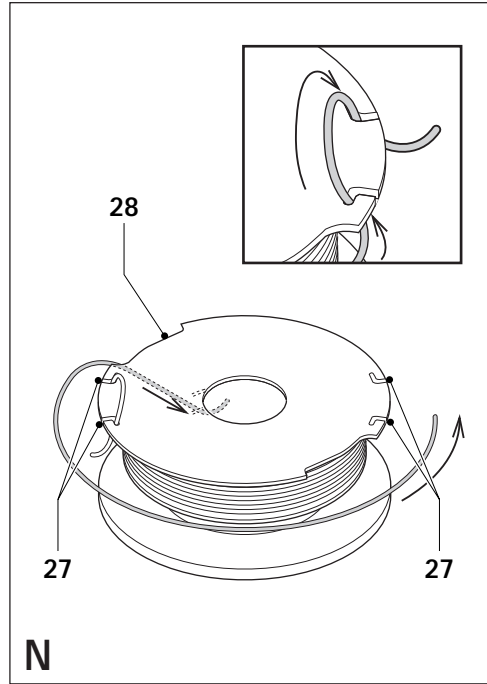
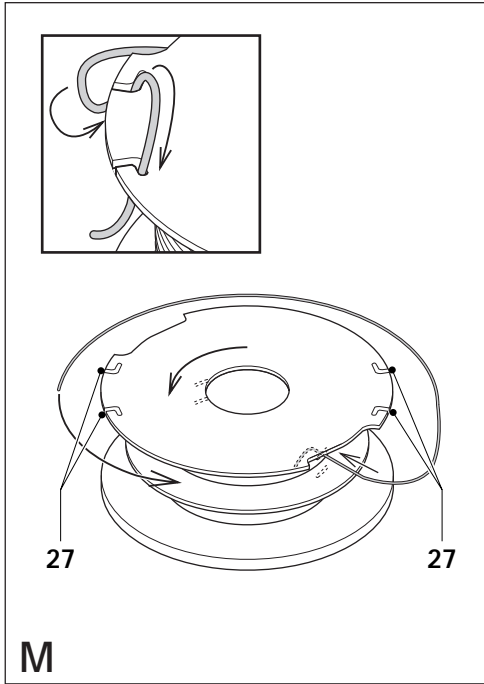


A











ENGLISH

GRASS TRIMMER GL650/GL660/GL660P/GL670/GL670P

CONGRATULATIONS!

You have chosen a Black & Decker tool. Our aim is to provide quality tools at an affordable price. We hope that you will enjoy using this tool for many years.

EC DECLARATION OF CONFORMITY

CE GL650/GL660/GL660P/GL670/GL670P
Black & Decker declares that these products conform to: 98/37/EC, 89/336/EEC, 73/23/EEC, EN 60335, EN 55014, EN 61000

Level of sound pressure, measured according to 84/538/EEC:

			GL650	GL660	GL670
			GL660P	GL670P	
L_{pA} (sound pressure)	dB(A)		83	83	83
L_{WA} (acoustic power)	dB(A)		96	96	96



Always wear ear protection if the sound pressure exceeds 85 dB(A).

Hand/arm weighted vibration value according to 98/37/EC:

GL650	GL660	GL660P	GL670	GL670P
< 2.5 m/s ²	< 2.5 m/s ²	< 2.5 m/s ²	< 2.5 m/s ²	< 2.5 m/s ²

Brian Cooke
Director of Engineering
Spennymoor, County Durham DL16 6JG,
United Kingdom

INTENDED USE

Your Black & Decker grass trimmer GL650/GL660/GL660P/GL670/GL670P has been designed for trimming and finishing lawn edges and to cut grass in confined spaces. This tool is intended for consumer use only.

SAFETY INSTRUCTIONS

Warning symbols

The following symbols are used in this manual:



Denotes risk of personal injury, loss of life or damage to the tool in case of non-observance of the instructions in this manual.



Denotes risk of electric shock.



Read the manual prior to operation.

Know your appliance



- ◆ **Warning!** When using mains-powered appliances, basic safety precautions, including the following, should always be followed to reduce the risk of fire, electric shock and personal injury.
 - ◆ Read all of this manual carefully before operating the appliance.
 - ◆ Before operating the appliance, make sure that you know how to switch it off in an emergency.
 - ◆ The intended use is described in this manual. The use of any accessory or attachment or performance of any operation with this appliance other than those recommended in this instruction manual may present a risk of personal injury.
 - ◆ Retain this manual for future reference.



ENGLISH

Work area

- ◆ Do not expose the appliance to rain. Do not use the appliance in damp or wet conditions.
- ◆ Only use the appliance in daylight or good artificial light.

Personal protection

- ◆ Wear stout shoes or boots to protect your feet. Do not operate the appliance wearing open-toed sandals or when barefoot.
- ◆ Wear long trousers to protect your legs.

Using your appliance

- ◆ Be sure that the appliance is switched off when plugging in.
- ◆ Stay alert. Watch what you are doing. Use common sense.
- ◆ Do not operate the appliance when you are tired.
- ◆ If the appliance begins to vibrate abnormally, switch it off and remove the plug from the socket. Allow rotating parts to stop and inspect the appliance for damage and loose parts.
- ◆ Never pull the cord to disconnect the plug from the socket. Keep the cord away from heat, oil and sharp edges.
- ◆ If the mains cable is damaged during use, switch the appliance off and disconnect the plug from the mains immediately. **Do not touch the mains cable before disconnecting from the mains.**

Safety of others

- ◆ Do not allow children or any person unfamiliar with these instructions to operate the appliance.
- ◆ Do not allow children, visitors or animals to come near the work area or to touch the appliance or mains cable.
- ◆ Remember that the operator may be held responsible for accidents or hazards occurring to other people or their property.

After use

- ◆ Switch off, remove the plug from the socket and ensure that moving parts have stopped rotating before leaving the appliance unattended and before changing, cleaning or inspecting any parts of the appliance.

- ◆ When not in use, the appliance should be stored in a dry place. Children should not have access to stored appliances.

Inspection and repairs

- ◆ Before use, check the appliance for damaged or defective parts. Check for misalignment and seizure of moving parts, breakage of parts, damage to guards and switches and any other conditions that may affect its operation.
- ◆ Do not use the appliance if any part is damaged or defective. Do not use the appliance if the switch does not turn it on and off.
- ◆ Never use the appliance when any guard or enclosure is damaged or not in place.
- ◆ Ensure that the appliance will operate properly and perform its intended function.
- ◆ Have any damaged or defective parts repaired or replaced by an authorised repair agent.
- ◆ Before use, check the mains cable for signs of damage, ageing and wear.
- ◆ Do not use the appliance if the mains cable is damaged or defective.
- ◆ If the mains cable is damaged or defective it must be repaired by an authorised repair agent to avoid a hazard.
- ◆ Never attempt to remove or replace any parts other than those specified in this manual.

Additional safety instructions for grass trimmers

The following warning symbols are found on the appliance:



Wear safety glasses or goggles when operating this tool.



The cutting line will continue to run for a few seconds after switching the appliance off. Never attempt to force the line to come to a standstill.



Keep people and animals at least 6 m away from the cutting area.



Do not expose the appliance to rain or high humidity.



ENGLISH



Switch off, remove the plug from the socket and ensure that moving parts have stopped rotating before leaving the appliance unattended and before changing, cleaning or inspecting any parts of the appliance.

- ◆ Before using the appliance, check that your cutting path is free from sticks, stones, wire and any other objects.
- ◆ Only use the appliance in the correct position, with the cutting line near the ground, as shown in the illustrations. Never switch the appliance on in any other position.
- ◆ Switch on the appliance only when hands and feet are away from the cutting line.
- ◆ Avoid body contact with the cutting line while the appliance is running.
- ◆ Do not work on steep slopes. Be sure of your footing. Be aware that freshly cut grass is damp and slippery.
- ◆ Take care when trimming near borders and gravel paths or roads, as stones and soil may be moved by the cutting line.
- ◆ Do not put the appliance down until the cutting line has come to a complete standstill.
- ◆ Use only the appropriate type of Black & Decker cutting line. Never use metal cutting line or fishing line.
- ◆ Take care to avoid injury from the line trimming blade. Do not touch the blade. After extending new cutting line, always return the appliance to its normal operating position before switching on.
- ◆ Take care to keep the mains cable away from the cutting line. Always be aware of the position of the cable.

ELECTRICAL SAFETY

The appliance has been designed for one voltage only. Always check that the power supply corresponds to the voltage on the rating plate.



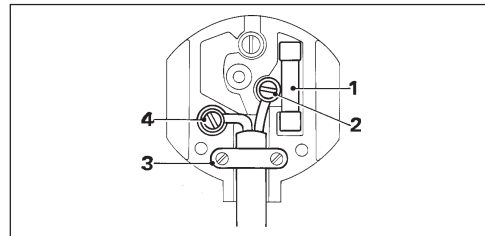
This appliance is designed for use on AC (mains) power supplies only. Do not attempt to use on any other supply.



This appliance is double insulated in accordance with EN 60335; therefore no earth wire is required.

- ◆ Prevent body contact with earthed or grounded surfaces (e.g. metal railings, lamp-posts etc.).
- ◆ Electric safety can be further improved by using a high-sensitivity (30 mA / 30 mS) residual current device (RCD).

Mains plug replacement (U.K. & Ireland only)



- ◆ Should your mains plug need replacing and you are competent to do this, proceed as instructed below. If you are in doubt, contact an authorised repair agent or a qualified electrician.
- ◆ Disconnect the plug from the supply and remove the fuse from the plug.
- ◆ Cut off the plug and dispose of it safely; a plug with bared copper conductors is dangerous if engaged in a live socket outlet.
- ◆ Only fit 13 Amperes BS1363A approved plugs fitted with the correctly rated fuse (1). Use 5 Amperes fuses.
- ◆ The cable wire colours, or a letter, will be marked at the connection points of most good quality plugs. Attach the wires to their respective points in the plug (see above). Brown is for Live (L) (2), blue is for Neutral (N) (4).
- ◆ Before replacing the top cover of the mains plug ensure that the cable restraint (3) is holding the outer sheath of the cable firmly and that the leads are correctly fixed at the terminal screws.
- ◆ If the plug has a fuse cover, make sure that the fuse cover is fitted. Do not use the plug if the fuse cover is missing or damaged.





ENGLISH



Never use a light socket.

Using an extension cable

Always use an approved extension cable suitable for the power input of this appliance (see rating plate). The extension cable must be suitable for outdoor use.

- ◆ Before use, inspect the cable for signs of damage, wear and ageing. Replace the extension cable if damaged or defective.
- ◆ When using a cable reel, always unwind the cable completely.
- ◆ Take care to keep the cable away from the cutting line. Always be aware of the position of the cable.

CARTON CONTENTS

The carton contains:

- 1 Grass trimmer
- 1 Guard with mounting screw
- 1 Plant protector incl. parts pack (GL660P/GL670P only)
- 1 Instruction manual

- ◆ Carefully unpack all parts.

OVERVIEW (fig. A)

1. On/off switch
2. Handle
3. Cable restraint
4. Power inlet (not for UK)
5. Secondary handle
6. Handle button (GL670/GL670P)
7. Locking ring
8. Cable storage hooks
9. Motor housing
10. Pedal (GL670/GL670P)
11. Guard
12. Line trimming blade
13. Edge guide
14. Spool housing
15. Cutting line

ASSEMBLY



Before assembly, make sure that the tool is switched off and unplugged.

Fitting the guard (fig. B)

- ◆ Unplug the tool.
- ◆ Remove the screw (16) from the housing.
- ◆ Place the guard (11) onto the tool as shown.
- ◆ Firmly press the guard until it snaps into place.
- ◆ Secure the guard with the screw (16).



Never use the tool unless the guard is properly fitted.

Releasing the cutting line (fig. A)

In transit, the cutting line is taped to the spool housing.

- ◆ Remove the tape holding the cutting line (15) to the spool housing (14).

Fitting the plant protector (fig. C)

The plant protector is supplied as a standard accessory with the GL660P & GL670P. For other models, it is available as an optional accessory.

- ◆ Place the plant protector (17) over the guard as shown. Make sure that the orientation is correct.
- ◆ Place the two plastic caps (18) onto the plant protector, aligning any of the marks (19) on the caps with those on the guard (11).
- ◆ Secure the caps using the screws (20). Do not overtighten the screws.



Wait until the cutting line has come to a standstill before adjusting the plant protector.

Connecting the tool to the mains (fig. A)

- ◆ Connect the female plug of a suitable extension cable to the power inlet (4).
- ◆ Loop the cable through the cable restraint as shown in fig. O.
- ◆ Insert the mains plug into a mains outlet.



The extension cable must be suitable for outdoor use.

USE



Let the tool work at its own pace. Do not overload.



ENGLISH

Setting the tool to trimming or edging mode (fig. D, E & F)

The tool can be used in trimming mode as shown in fig. D or in edging mode to trim overhanging grass along lawn edges and flower beds as shown in fig. E.

Trimming mode (fig. D & F)

For trimming, the trimmer head should be in the position shown in fig. D. If it is not:

- ◆ Turn the locking ring (7) counterclockwise.
- ◆ Rotate the trimmer body counterclockwise until the trimmer head engages in the trimming position.
- ◆ Tighten the locking ring by turning it clockwise.

Edging mode (fig. E & F)

For edging, the trimmer head should be in the position shown in fig. E. If it is not:

- ◆ Turn the locking ring (7) counterclockwise.
- ◆ Rotate the trimmer body clockwise until the trimmer head engages in the edging position.
- ◆ Tighten the locking ring by turning it clockwise.

GL670/GL670P - Adjusting the position of the secondary handle (fig. A & G)

The secondary handle can be adjusted to provide optimum balance and comfort.

- ◆ Let the guard (11) rest on the ground.
- ◆ While keeping the handle button (6) depressed, move the handle (5) into the desired position.
- ◆ Release the handle button.

GL660/GL660P/GL670/GL670P - Adjusting the height of the tool (fig. A & H)

This tool has a telescopic body, allowing you to set it to a comfortable height.

- ◆ Let the guard (11) rest on the ground.
- ◆ Turn the locking ring (7) counterclockwise.
- ◆ Move the switch handle up or down to the desired height.
- ◆ Tighten the locking ring by turning it clockwise.

GL670/GL670P -

Adjusting the trimmer head angle (fig. I)

The adjustable trimmer head angle allows you to set the optimum trimming angle regardless of your length. It also allows you to trim under benches and shrubs.

- ◆ Let the guard (11) rest on the ground.
- ◆ Keeping the pedal (10) depressed with your foot, move the switch handle up or down as required.
- ◆ Release the pedal.

Switching on and off (fig. A)

- ◆ To switch the tool on, push the on/off switch (1).
- ◆ To switch the tool off, release the on/off switch.



Never attempt to lock a switch in the on position.

Hints for optimum use

Trimming

- ◆ Hold the tool as shown in fig. D.
- ◆ Gently swing the trimmer from side to side as shown in fig. D.
- ◆ When cutting long grass, work in stages from the top. Take small cuts.
- ◆ Keep the tool away from hard objects and delicate plants.
- ◆ If the tool starts running slowly, reduce the load.

Edging

Optimum cutting results are achieved on edges deeper than 50 mm.

- ◆ Do not use the tool to create edges. To create edges, use an edging spade.
- ◆ Guide the tool as shown in fig. E. Keep the edge guide against the lawn edge.
- ◆ To make a closer cut, slightly tilt the tool.

General

- ◆ In order to achieve optimum cutting results, only cut dry grass.

GL660P/GL670P - Using the plant protector (fig. J)

The plant protector will help you to protect plants while trimming along lawn edges.





ENGLISH

- ◆ In trimming mode, set the plant protector to position A.
- ◆ In edging mode, set the plant protector to position B or C.
- ◆ When there are no plants near the cutting area, set the plant protector to position D.

MAINTENANCE

Your Black & Decker tool has been designed to operate over a long period of time with a minimum of maintenance. Continuous satisfactory operation depends upon proper tool care and regular cleaning.



Before performing any maintenance, switch off and unplug the tool.

- ◆ Regularly clean the ventilation slots in your tool using a soft brush or dry cloth.
- ◆ Regularly clean the cutting line and spool using a soft brush or dry cloth.
- ◆ Regularly use a blunt scraper to remove grass and dirt from the underneath of the guard.

Fitting a new spool of cutting line (fig. K & L)

Replacement spools of cutting line are available from your Black & Decker dealer (cat. no. A6441). Complete cassettes containing a spool of cutting line are also available (cat. no. A6442).

- ◆ Unplug the tool.
- ◆ Keep the tabs (21) depressed and remove the spool cover (22) from the housing (23) (fig. K).
- ◆ Remove the empty spool (24) from the spool cover.
- ◆ Remove any dirt and grass from the spool cover and housing.
- ◆ Take the new spool and push it onto the boss in the spool cover. Rotate the spool slightly until it is seated.
- ◆ Unclip the end of one of the cutting lines and guide the line into one of the eyelets (25) (fig. L). The line should protrude approx. 9 cm from the spool cover.
- ◆ Unclip the end of the other cutting line and guide the line into the other eyelet. The line should protrude approx. 9 cm from the spool cover.

- ◆ Align the tabs (21) on the spool cover with the holes (26) in the housing (fig. K).
- ◆ Push the cover onto the housing until it snaps securely into place.



If the cutting lines protrude beyond the trimming blade (12), cut them off so that they just reach the blade.

Winding new line onto an empty spool (fig. M, N & P)

You may wind new cutting line onto an empty spool. Replacement packs of cutting line are available from your Black & Decker dealer (cat. no. A6440).

- ◆ Remove the empty spool from the tool as described above.
- ◆ Remove any remaining cutting line from the spool.
- ◆ First wind new line onto the uppermost part of the spool:
 - Feed 2 cm of cutting line into one of the slots in the upper section of the spool as shown.
 - Wind the cutting line onto the spool in the direction of the arrow. Make sure to wind the line on neatly and in layers. Do not criss-cross.
 - When the wound cutting line reaches the recesses (28), cut the line.
 - Temporarily park the line in the slots (27) on one side of the spool as shown.
- ◆ Repeat the above procedure for the second cutting line on the lower section of the spool. Park the line in the unused slots (27).
- ◆ Proceed as described above to fit the spool on the tool. Do not forget to release the cutting line from the parking slots (27).



Only use the appropriate type of Black & Decker cutting line. Ensure that cutting line is present in both sections of the spool (fig. P).

TROUBLESHOOTING

If your tool seems not to operate properly, follow the instructions below. If this does not solve the problem, please contact your local Black & Decker repair agent.



ENGLISH



Before proceeding, unplug the tool.

Tool runs slowly

- ◆ Check that the spool housing can rotate freely. Carefully clean it if necessary.
- ◆ Check that the cutting line does not protrude more than 9 cm from the spool housing. If it does, cut it off so that it just reaches the line trimming blade.

Automatic line feed does not work

- ◆ Keep the tabs depressed and remove the spool cover from the housing.
- ◆ Pull the cutting line until it protrudes 9 cm from the housing. If insufficient cutting line is left on the spool, install a new spool of cutting line as instructed above.
- ◆ Align the tabs on the spool cover with the holes in the housing.
- ◆ Push the cover onto the housing until it snaps securely into place.
- ◆ If the cutting line protrudes beyond the trimming blade, cut it off so that it just reaches the blade.

If the automatic line feed still does not work or the spool is jammed, try the following suggestions:

- ◆ Carefully clean the spool cover and housing.
- ◆ Remove the spool and check if the lever can move freely.
- ◆ Remove the spool and unwind the cutting line, then wind it on neatly again as described above. Replace the spool as instructed.

PROTECTING THE ENVIRONMENT



Should you find one day that your tool needs replacement, or if it is of no further use to you, think of the protection of the environment. Black & Decker repair agents will accept old Black & Decker tools and ensure that they are disposed of in an environmentally safe way.

GUARANTEE

The Black & Decker lawn and garden guarantee provides: 36 months parts and 12 months labour cover in the UK, 24 months parts and labour cover in South Africa, Australia and New Zealand. Proof of purchase will be required.

Should your Black & Decker product become defective within the guarantee period due to faulty materials or workmanship, we guarantee to either replace all defective parts or -at our discretion- to replace the unit free of charge, provided that:

- ◆ The product is returned to us or one of our authorised repair agents with proof of purchase.
- ◆ The product has been used within the parameters of its consumer classification.
- ◆ The product has not been used for hire purposes.
- ◆ Repairs have not been attempted by anyone other than our authorised repair agents.
- ◆ The failure represents normal wear and tear.

This guarantee is offered as an extra benefit and does not affect your statutory rights.

The guarantee policy

The following failures are not covered by the above guarantee:

- ◆ Replacing worn or damaged blades, nylon lines, chains and power cables. These items are regarded as replacement items which wear during normal usage.
- ◆ Failures as a result of sudden impact or obvious abuse.
- ◆ Failures due to usage not in accordance with instructions and recommendations contained in this manual.

The use of other than genuine Black & Decker accessories and parts may cause decreased performance or damage to the product and will render the guarantee void.

AFTER SALES SERVICE

Full details on our after-sales service are available on the Internet at www.2helpU.com.

Alternatively, contact our Service and Information Centre at the address towards the back of this manual.



ENGLISH

It is our aim that all Black & Decker customers should be totally satisfied with their Black & Decker product and our after sales service. If any help or advice is needed, please contact your local Black & Decker repair agent.

If your product needs repair, please take or send it to an authorised repair agent, providing proof of purchase if claiming a guarantee repair. Black & Decker offers a nationwide network of authorised repair agents.

Full details on our after sales service can be obtained from any of our authorised repair agents.

OTHER OUTDOOR TOOLS

Black & Decker has a full range of outdoor power tools that make life in the garden easy. If you would like further information on the following products, please contact our Service and Information Centre (see the address page towards the end of this manual) or your local Black & Decker retailer.

String trimmers	Chainsaws
Cordless shear	Hedgetrimmers
Lawnmowers	Lawnrakers
Leafbusters	Shredders

Not all products are available in all countries.

SVENSKA

GRÄSTRIMMARE GL650/GL660/GL660P/GL670/GL670P

BÄSTE KUND!

Tack för att du har valt ett verktyg från Black & Decker. Vi hoppas att du kommer att få glädje av verktyget i många år.

CE-FÖRSÄKRAN OM ÖVERENSSTÄMMELSE



GL650/GL660/GL660P/GL670/GL670P
Black & Decker förklarar att dessa verktyg är konstruerade i överensstämmelse med: 98/37/EEG, 89/336/EEG, 73/23/EEG, EN 60335, EN 55014, EN 61000

Ljudnivå, uppmätt enligt 84/538/EEG:

		GL650	GL660	GL670
			GL660P	GL670P
L _{PA} (ljudtryck)	dB(A)	83	83	83
L _{WA} (ljudeffekt)	dB(A)	96	96	96



Använd hörselskydd om ljudnivån överskrider 85 dB(A).

Det vägda geometriska medelvärdet av vibrationsfrekvensen enligt 98/37/EEG:

GL650	GL660	GL660P	GL670	GL670P
< 2,5 m/s ²	< 2,5 m/s ²	< 2,5 m/s ²	< 2,5 m/s ²	< 2,5 m/s ²

Brian Cooke
Director of Engineering
Spennymoor, County Durham DL16 6JG,
United Kingdom

ANVÄNDNINGSSOMRÅDE

Din Black & Decker grästrimmare GL650/GL660/GL660P/GL670/GL670P är avsedd för trimning och kantklippning av gräsmattor och för gräsklippning på svåråtkomliga ställen. Verktyget är endast avsett för bruk i hemmet.

SÄKERHETSINSTRUKTIONER

Symboler

Följande symboler har använts i bruksanvisningen:



Anger risk för personskada, livsfara eller skada på verktyg om du inte följer de instruktioner som står i bruksanvisningen.



Anger risk för elektrisk stöt.



Läs bruksanvisningen innan du använder verktyget.

Lär känna verktyget



- ♦ **Varning!** När man använder elverktyg är det viktigt att man bl.a. följer nedanstående säkerhetsanvisningar för att minska risken för brand, elektriska stötar och personskador.
- ♦ Läs bruksanvisningen noggrant innan du använder verktyget.
- ♦ Var säker på att du vet hur man stänger av verktyget innan du börjar använda det.
- ♦ Använd inte verktyg för ändamål de inte är avsedda för. Använd endast tillbehör och tillsatser som är rekommenderade i bruksanvisningen och katalogerna. Användning av annat verktyg eller tillbehör kan innebära risk för personskada.
- ♦ Spara bruksanvisningen lättillgängligt.



SVENSKA

Arbetsområde

- ◆ Utsätt inte verktyget för regn. Använd inte verktyget på fuktiga eller våta platser.
- ◆ Använd endast verktyget i dagsljus eller bra belysning.

Skyddskläder

- ◆ Skydda fötterna genom att använda kraftiga skor eller stövlar. Gå aldrig barfota eller i öppna sandaler när du använder verktyget.
- ◆ Skydda benen genom att använda långbyxor.

Användning av verktyget

- ◆ Kontrollera att verktyget är avstängt innan du sätter i kontakten.
- ◆ Var uppmärksam. Titta på det du gör. Använd sunt förnuft.
- ◆ Använd inte verktyget när du är trött.
- ◆ Om verktyget börjar vibrera onormalt, stäng genast av det och drag ut kontakten. Vänta tills verktyget har stannat helt och kontrollera eventuella skador eller lösa delar.
- ◆ Drag aldrig i sladden när du tar ut stickkontakten. Utsätt inte sladden för värmekällor, olja eller skarpa kanter.
- ◆ Stäng genast av verktyget och drag ut kontakten om sladden skadats under användning. Vidrör inte sladden förrän kontakten är urdragen.

Andra personers säkerhet

- ◆ Låt aldrig barn, eller personer som inte har läst denna bruksanvisning använda verktyget.
- ◆ Tillåt inte barn, besökande eller djur att komma i närheten av arbetsplatsen eller att röra vid verktyget eller sladden.
- ◆ Tänk på att användaren kan göras ansvarig för skada på annan person eller egendom.

Efter användning

- ◆ Stäng av verktyget, drag ut kontakten och vänta tills de roterande delarna har stannat helt innan du lämnar verktyget utan tillsyn, eller innan du byter, rengör eller kontrollerar någon del av verktyget.
- ◆ När verktyget inte används skall det förvaras på en torr plats, utom räckhåll för barn.

Kontroll och reparation

- ◆ Kontrollera att verktyget inte är skadat innan det används. Kontrollera att de rörliga delarna inte har fastnat eller är felmonterade. Kontrollera även att övriga delar och skydd inte är skadade och att det inte föreligger några andra fel som kan påverka verktygets funktion.
- ◆ Använd inte verktyget om fel uppstått på någon av dess delar. Använd inte verktyget om det inte kan kopplas till och från med strömbrytaren.
- ◆ Använd aldrig verktyget om inte alla skydd och kåpor är på plats.
- ◆ Kontrollera att verktyget fungerar riktigt och kan utföra de avsedda funktionerna.
- ◆ Om fel uppstår skall delarna repareras eller bytas ut av en auktoriserad Black & Decker serviceverkstad.
- ◆ Innan användning, kontrollera att sladden inte är skadad eller sliten.
- ◆ Använd aldrig verktyget om sladden är skadad.
- ◆ Om sladden är skadad måste den bytas ut av en auktoriserad Black & Decker serviceverkstad.
- ◆ Försök aldrig ta bort eller byta ut andra delar än de som nämns i denna bruksanvisning.

Extra säkerhetsinstruktioner för grästrimmare

Följande varningssymboler finns på verktyget:



Använd skyddsglasögon under arbetet med maskinen.



Trimtråden stannar först några sekunder efter det att verktyget har stängts av. Försök aldrig tvinga trimtråden att stanna.



Tillåt inte barn och djur att uppehålla sig närmare arbetsområdet än 6 meter.



Utsätt inte verktyget för regn eller hög luftfuktighet.



Stäng av verktyget, drag ut kontakten och vänta tills de roterande delarna har stannat helt innan du lämnar verktyget utan tillsyn, eller innan du byter, rengör eller kontrollerar någon del av verktyget.



SVENSKA

- ◆ Innan du börjar arbeta ska du kontrollera att arbetsområdet är fritt från pinnar, stenar, ståltrådar och andra föremål.
- ◆ Håll alltid verktyget i rätt läge, med trimtråden nära marken, se illustrationerna. Starta aldrig verktyget i något annat läge.
- ◆ Händer och fötter skall hållas borta från trimtråden innan verktyget startas..
- ◆ Undvik kroppskontakt med trimtråden när verktyget är igång.
- ◆ Arbeta inte i branta sluttningar. Se till att du står stadigt. Tänk på att nyklippt gräs är fuktigt och halt.
- ◆ Var försiktig i närheten av rabatter, grusgångar eller vägar, trimtråden kan slänga upp jord och grus.
- ◆ Lägg inte ner verktyget förrän trimtåden har stannat helt.
- ◆ Använd endast trimtråd som rekommenderas av Black & Decker. Använd aldrig trimtråd av metall eller fiskelina.
- ◆ Se till att du inte skadar dig på skärbladet. Vidrör aldrig bladet. När ny trimtråd har dragits fram, måste verktyget alltid återställas till sitt vanliga driftsläge innan det startas.
- ◆ Var noga med att hålla undan sladden från trimtråden. Håll alltid reda på var sladden finns.

ELEKTRISK SÄKERHET

Verktyget är endast avsett för en spänning. Kontrollera alltid att nätspänningen överenskommer med värdet på märkplåten.



Verktyget är dubbelisolerat motsvarande EN 60335.

- ◆ Undvik kontakt mellan kroppen och jordade ytor (t.ex. metallräcken, lyktstolpar m.m.).
- ◆ Elsäkerheten kan förbättras ytterligare genom användning av en jordfelsbrytare med hög känslighet (30 mA/30 mS).

Användning med förlängningssladd

Använd alltid en godkänd förlängningssladd som är lämpad för verktygets strömförbrukning (se märkplåten). Förlängningssladden måste vara avsedd för utomhusbruk.

- ◆ Innan användning, kontrollera att sladden inte är skadad eller sliten. Byt ut förlängningssladden om den är skadad.
- ◆ Om du använder en sladdvinda, vira alltid av hela sladden.
- ◆ Var noga med att hålla undan sladden från trimtråden. Håll alltid reda på var sladden finns.

KARTONGENS INNEHÅLL

Kartongen innehåller:

- 1 Grästrimmare
- 1 Skydd med monteringskruv
- 1 Plantskydd med komponentförpackning (endast GL660P/GL670P)
- 1 Bruksanvisning

- ◆ Packa försiktigt upp alla delar.

ÖVERSIKT (fig. A)

1. Strömbrytare
2. Handtag
3. Sladdlås
4. Elkontakt
5. Stödhandtag
6. Handtagsknapp (GL670/GL670P)
7. Hylsa
8. Sladdvinda
9. Motorhus
10. Pedal (GL670/GL670P)
11. Skydd
12. Skärblad för trimtråd
13. Kantguide
14. Spolhus
15. Trimtråd

MONTERING



Se till att verktyget är avstängt samt att det inte är anslutet innan monteringen börjar.

Montering av skyddet (fig. B)

- ◆ Dra ur kontakten.
- ◆ Ta bort skruven (16) från spolhuset.
- ◆ Placera skyddet (11) på verktyget enligt figuren.
- ◆ Tryck på skyddet ordentligt tills det snäpper fast på plats.





SVENSKA

- ◆ Lås fast skyddet med skruven (16).



Använd inte verktyget om inte skyddet är korrekt monterat.

Lösgör trimtråden (fig. A)

Under transporten är trimtråden fasttejp på spolhuset.

- ◆ Ta bort den tejp som håller fast trimtråden (15) vid spolhuset (14).

Montera plantskyddet (fig. C)

Plantskyddet är ett standardtillbehör till GL660P och GL670P. Till övriga modeller finns den som ett extra tillbehör.

- ◆ Placera plantskyddet (17) över skyddet enligt figuren. Var noga med att vända det åt rätt håll.
- ◆ Placera de två plastkåporna (18) på plantskyddet. Rikta in märkena (19) på kåporna i linje med motsvarande märken på skyddet (11).
- ◆ Fäst kåporna med skruvarna (20). Dra inte åt skruvarna för hårt.



Vänta tills trimtråden har stannat upp innan plantskyddaren rättas till

Anslutning av verktyget till nätuttaget (fig. A)

- ◆ Anslut honkontakten på en lämplig förlängningsladd till elkontakten (4).
- ◆ Häng sladden i sladdvindan enligt fig. O.
- ◆ Sätt i kontakten i ett vägguttag.



Förlängningsladden måste vara avsedd för utomhusbruk.

ANVÄNDNING



Överbelasta inte maskinen, låt den arbeta i sin egen takt.

Val av trimnings- eller kantklipningsläge (fig. D, E & F)

Verktyget kan antingen användas i trimningsläge, enligt figur D, eller i kantklipningsläge för klippning av gräs som sticker ut utanför kanten på gräsmattor och rabatter, enligt figur E.

Trimningsläge (fig. D & F)

Vid trimning ska trimningshuvudet vara i den position som framgår av figur D. Gör så här om det inte är det:

- ◆ Vrid låsringen (7) moturs.
- ◆ Vrid trimningshuset moturs till trimningshuvudet låser sig i trimningsläget.
- ◆ Dra åt låsringen genom att vrida den medurs.

Kantklipningsläge (fig. E & F)

Vid kantklippning ska trimningshuvudet vara i den position som framgår av figur E. Gör så här om det inte är det:

- ◆ Vrid låsringen (7) moturs.
- ◆ Vrid trimningshuset medurs tills trimningshuvudet låser sig i kantklipningsläget.
- ◆ Dra åt låsringen genom att vrida den medurs.

GL670/GL670P -

Inställning av stödhandtaget (fig. A & G)

Stödhandtaget kan ställas in för optimal balans och bekvämlighet.

- ◆ Låt skyddet (11) vila mot marken.
- ◆ Håll handtagsknappen (6) intryckt och flytta handtaget (5) till önskad position.
- ◆ Släpp handtagsknappen.

GL660/GL660P/GL670/GL670P -

Inställning av arbetshöjden (fig. A & H)

Detta verktyg har ett teleskopskafat så att det kan ställas in till en bekväm höjd.

- ◆ Låt skyddet (11) vila mot marken.
- ◆ Vrid låsringen (7) moturs.
- ◆ Flytta strömbrytarhandtaget uppåt eller nedåt till önskad höjd.
- ◆ Dra åt låsringen genom att vrida den medurs.

GL670/GL670P-

Inställning av trimningshuvudets vinkel (fig. I)

Tack vare den ställbara pedalen kan du ställa in en optimal trimningsvinkel, som passar din kroppslängd. Det ger dig också möjlighet att trimma under bänkar och buskar.

- ◆ Låt skyddet (11) vila mot marken.



SVENSKA

- ◆ Trampa ner pedalen (10) och flytta sedan strömbrytarhandtaget uppåt eller nedåt till önskat läge.
- ◆ Släpp upp pedalen.

Start och stopp (fig. A)

- ◆ Tryck på strömbrytaren (1) för att slå på verktyget.
- ◆ Tryck åter på strömbrytaren för att stänga av verktyget.



Försök aldrig låsa en strömbrytare i startläge.

Råd för bästa resultat

Trimning

- ◆ Håll verktyget enligt figur D.
- ◆ För försiktigt grästrimmaren från sida till sida enligt figur D.
- ◆ Arbeta i flera omgångar uppifrån om gräset är långt. Trimma bara lite gräs åt gången.
- ◆ Undvik hårda föremål och ömtåliga växter.
- ◆ Minska belastningen om verktyget börjar gå långsamt.

Kantklippning

De bästa resultaten får man om kanterna är djupare än 50 mm.

- ◆ Skär inte till nya kanter med verktyget. För att göra nya kanter ska du använda en kantspade.
- ◆ Styr verktyget enligt figur E. Håll kantskyddet mot gräsmattekanter.
- ◆ Luta verktyget en aning om du vill klippa något närmare.

Allmänt

- ◆ För att få bästa möjliga resultat ska du bara klippa gräs som är torrt.

GL660P/GL670P -

Användning av plantskyddet (fig. J)

Plantskyddet hjälper dig att undvika att skada växter när du trimmar längs gräsmattekanter.

- ◆ För plantskyddet till läge A i trimningsläget.
- ◆ För plantskyddet till läge B eller C i kantklippningsläget.

- ◆ För plantskyddet till läge D om det inte finns några växter i närheten av trimningsområdet.

SKÖTSEL

Ditt Black & Decker verktyg har tillverkats för att fungera under lång tid med ett minimum av skötsel. Med rätt underhåll och regelbunden rengöring bibehåller verktyget sin prestanda.



Vid underhåll och skötsel skall verktyget vara avstängt och sladden utdragen.

- ◆ Rengör regelbundet verktygets ventilationsöppningar med en mjuk borste eller torr trasa.
- ◆ Gör ren trimtråden och spolen regelbundet med en mjuk borste eller torr trasa.
- ◆ Använd en trubbig skrapa för att regelbundet avlägsna gräs från skyddets undersida.

Byte till en ny trimtrådsspole (fig. K & L)

Du köper nya spolar med trimtråd från din Black & Decker återförsäljare (kat.nr. A6441).

Du kan också köpa hela kassetter, med en spole med trimtråd (kat.nr. A6442).

- ◆ Dra ur kontakten.
- ◆ Håll knapparna (21) intryckta och ta ut spolskyddet (22) ur spolhuset (23) (fig. K).
- ◆ Ta ut den tomma spolen (24) ur spolhuset.
- ◆ Avlägsna eventuell smuts och gräs ur spolhuset och skyddet.
- ◆ Tryck på den nya spolen på navet i spolhuset. Vrid lite på spolen så att den hamnar på plats ordentligt.
- ◆ Lösgör den ena änden av trimtråden och trä tråden genom ett av trådålen (25) (fig. L). Tråden ska sticka ut ca. 9 cm utanför spolskyddet.
- ◆ Lösgör änden på den andra trimtråden och trä den genom det andra trådålet. Tråden ska sticka ut ca. 9 cm utanför spolskyddet.
- ◆ Rikta in tungorna (21) på spolskyddet mot ålen (26) i spolhuset (fig. K).
- ◆ Tryck på spolskyddet på spolhuset tills det snäpper på plats ordentligt.



Om trimtrådarna sticker ut utanför skärbladet (12) ska de kapas så att de bara når fram till bladet.





SVENSKA

Linda ny tråd på en tom spole (fig. M, N & P)

Du kan linda på ny tråd på en tom spole. Du köper nya förpackningar med trimtråd från din Black & Decker återförsäljare (kat.nr. A6440).

- ♦ Tag bort den tomma spolen från verktyget enligt beskrivningen ovan.
- ♦ Ta bort eventuell trimtråd som finns kvar på spolen.
- ♦ Linda först på ny tråd på den översta delen av spolen.
Mata in 2 cm trimtråd genom ett av hålen i den övre delen av spolen enligt figuren.
 - Linda på trimtråden på spolen i pilens riktning. Linda tråden ordentligt i olika lager. Linda inte i kors.
 - Klipp av tråden när den lindade tråden kommit upp till slitsarna (28).
 - Fäst tråden tillfälligt i uttagen (27) på spolens ena sida enligt figuren.
- ♦ Gör likadant med den andra trimtråden, på spolens undre del. Fäst tråden i de lediga uttagen (27).
- ♦ Sätt spolen på plats enligt anvisningarna ovan. Glöm inte att sedan lösgöra trimtrådarna från uttagen (27).



Använd endast trimtråd som rekommenderas av Black & Decker. Se till att det finns trimtråd i båda sektionerna av spolen (fig. P).

FELSÖKNING

Följ anvisningarna nedan om något problem uppkommer. Kontakta din auktoriserade Black & Decker serviceverkstad om du inte får ordning på problemet.



Dra ur sladden innan du fortsätter.

Verktyget går långsamt

- ♦ Kontrollera att spolhuset kan rotera fritt. Rengör det försiktigt om det behövs.
- ♦ Kontrollera att trimtråden inte sticker ut ur spolhuset mer än 9 cm. Om den sticker ut längre ska den kapas så att den bara når fram till skärbladet.

Den automatiska trådmatningen fungerar inte

- ♦ Håll knapparna intryckta och ta bort spolskyddet från spolen.
- ♦ Dra i trimtråden tills den sticker ut 9 cm utanför spolhuset. Om det är för lite tråd kvar på spolen byter du till en ny spole med trimtråd. Följ anvisningarna ovan.
- ♦ Rikta in tungorna på spolskyddet mot hålen i spolhuset.
- ♦ Tryck på spolskyddet på spolhuset tills det snäpper på plats ordentligt.
- ♦ Om trimtråden sticker ut utanför skärbladet ska den kapas så att den bara når fram till bladet.

Prova följande olika åtgärder om den automatiska trådmatningen ändå inte fungerar, eller om spolen låst sig:

- ♦ Gör ren spolskyddet och spolen försiktigt.
- ♦ Ta bort spolen och kontrollera att armen kan röra sig.
- ♦ Ta bort spolen och linda av hela trimtråden. Linda sedan på den jämnt igen, enligt anvisningarna ovan. Sätt tillbaka spolen enligt anvisningarna.

FÖRBRUKADE VERKTYG OCH MILJÖN



När ditt verktyg är utslitet, skydda naturen genom att inte slänga det tillsammans med vanligt avfall. Lämna det till de uppsamlingsställen som finns i din kommun eller där du köpt verktyget.

GARANTI

Black & Decker AB garanterar att maskinen är fri från material- och/eller fabriktionsfel vid leveransen till köparen. Garantitiden finns specificerad på maskinens förpackning och i gällande kataloger. Garantitiden kan vara ett alternativt två år beroende på produktslag.



SVENSKA

Garantin omfattar inte detaljer av förbrukningskaraktär, normalt underhåll, förslitning eller förändring som är en följd av normal användning av maskinen, inställnings- eller injusteringsåtgärder som normalt hanteras av köparen, skötsel eller bruk av maskinen i strid mot bruksanvisning, vanvård, överbelastning, onormalt intensiv användning eller annat onormalt brukande, ombyggnad, ändring eller annat obehörigt ingrepp eller liknande förhållande på köparens sida.

- ◆ För att ha rätt att åberopa fel som omfattas av garanti skall köparen underrätta närmaste, av Black & Decker auktoriserad serviceverkstad om felet inom fjorton dagar efter det att felet upptäckts eller bort upptäckas.
- ◆ Köparen skall därvid uppvisa kvitto, faktura, eller annat inköpsbevis som visar var och när maskinen inköptes.
- ◆ Köparen är skyldig att på egen bekostnad lämna maskinen odemonterad till nämnda serviceverkstad.

Black & Decker AB ansvarar för att maskin som är behäftad med fel som omfattas av garantin kostnadsfritt repareras eller byts ut enligt Black & Decker ABs val. Utöver ansvaret för reparation eller utbyte har Black & Decker AB inget ansvar. Garantin grundar således exempelvis inte rätt till skadestånd.

För konsumentköp gäller dessutom, i förhållandet mellan återförsäljaren och konsumenten, reglerna i konsumentlagen.

SERVICE

Skulle fel uppstå på maskinen, lämna då alltid in den till en auktoriserad Black & Decker serviceverkstad. (Se aktuell katalog för vidare information eller kontakta Black & Decker AB.) Förteckning över våra auktoriserade serviceverkstäder finns även på Internet, vår hemsida www.blackdecker.se samt www.2helpU.com.

På grund av forskning och utveckling kan specifikationerna ändras vilket inte meddelas separat.

ANDRA TRÄDGÅRDSREDSKAP

Black & Decker AB har ett brett sortiment av verktyg för utomhusbruk som gör arbetet i trädgården enklare. Kontakta närmaste Black & Decker återförsäljare för ytterligare information eller besök vår hemsida www.blackdecker.se

Mossrivare
Häcksaxar
Kedjesågar
Gräsklippare
Grästrimmare
Trädgårdsstädare
Kompostkvarnar

Alla produkter är inte tillgängliga i vissa länder.

**NORSK**

GRESSTRIMMER

GL650/GL660/GL660P/GL670/GL670P

Du har valgt et Black & Decker verktøy. Vi håper at du vil ha glede av dette verktøyet i mange år fremover.

CE-SIKKERHETSERKLÆRING



GL650/GL660/GL660P/GL670/GL670P
Black & Decker erklærer at disse verktøyer er konstruert i henhold til: 98/37/EØF, 89/336/EØF, 73/23/EØF, EN 60335, EN 55014, EN 61000

Lydnivået, målt i henhold til 84/538/EØF:

		GL650	GL660	GL670
			GL660P	GL670P
L _{pA} (lydnivå)	dB(A)	83	83	83
L _{WA} (akustisk effekt)	dB(A)	96	96	96



Bruk hørselsbeskyttelse dersom lydnivået overskrider 85 dB(A).

Den veide geometriske middelverdien av vibrasjonsfrekvensen i følge 98/37/EØF:

GL650	GL660	GL660P	GL670	GL670P
< 2,5 m/s ²	< 2,5 m/s ²	< 2,5 m/s ²	< 2,5 m/s ²	< 2,5 m/s ²

Brian Cooke
Director of Engineering
Spennymoor, County Durham DL16 6JG,
United Kingdom

BRUKSOMRÅDER

Din Black & Decker gresstrimmer GL650/GL660/GL660P/GL670/GL670P er beregnet på klipping og trimming av plenkanter og klipping av gress på vanskelig tilgjengelige steder. Verktøyet er tiltenkt kun for bruk i hjemmet.

SIKKERHETSINSTRUKSJONER

Symboler

Følgende symboler brukes i denne bruksanvisningen:



Betegner risiko for personskade, livsfare eller skade på verktøyet dersom instruksene i denne bruksanvisningen ikke følges.



Betegner risiko for elektrisk støt.



Les bruksanvisningen før du bruker verktøyet.

Lær verktøyet å kjenne



- ◆ **Advarsel!** Ved bruk av elektroverktøy, må du alltid følge en del grunnleggende sikkerhetsregler, inkludert følgende, for å redusere faren for brann, elektrisk støt og personskade.
- ◆ Ta deg tid til å lese nøye gjennom bruksanvisningen før du begynner å bruke verktøyet.
- ◆ Vær sikker på at du vet hvordan man slår av verktøyet før du begynner å bruke det.
- ◆ Bruk ikke verktøyet til formål det ikke er ment for. Bruk bare tilbehør og utstyr som anbefales i bruksanvisningen og i katalogene. Bruk av annet verktøy eller tilbehør kan medføre en mulig risiko for personskade.



NORSK

- ◆ Oppbevar bruksanvisningen på et lett tilgjengelig sted.

Arbeidsområde

- ◆ Utsett ikke verktøyet for regn. Bruk ikke verktøyet under våte eller fuktige forhold.
- ◆ Bruk bare verktøyet i dagslys eller med god kunstig belysning.

Personlig vern

- ◆ Bruk solide sko eller støvler, slik at du beskytter føttene. Bruk ikke verktøyet mens du bruker sandaler eller går barfot.
- ◆ Beskytt bena ved å bruke langbukser.

Bruke verktøyet

- ◆ Pass på at verktøyet er slått av når du setter i støpslet.
- ◆ Vær oppmerksom. Se på det du gjør. Bruk sunn fornuft.
- ◆ Bruk ikke maskinen når du er trett.
- ◆ Hvis verktøyet begynner å vibrere på en unormal måte, slår du det av og trekker ut kontakten. Stopp roterende deler og kontroller at verktøyet ikke er skadet eller at deler ikke har løsnet.
- ◆ Ikke trekk i ledningen når du skal kople fra støpselet. Utsett ikke ledningen for varme, olje, eller skarpe kanter.
- ◆ Hvis ledningen er blitt skadet under bruk, slår du av verktøyet og trekker ut kontakten fra strømforsyningen umiddelbart. **Du må ikke berøre ledningen før du har koblet den fra strømforsyningen.**

Sikkerhet for andre

- ◆ Verktøyet må ikke brukes av barn eller av andre som ikke har lest bruksanvisningen.
- ◆ Ikke la barn, besøkende eller dyr komme i nærheten av arbeidsområdet eller berøre verktøyet eller ledningen.
- ◆ Husk at brukeren kan holdes ansvarlig for ulykker eller skader som rammer andre mennesker eller deres eiendeler.

Etter bruk

- ◆ Slå av verktøyet, trekk ut kontakten og kontroller at bevegelige deler ikke roterer før du forlater verktøyet, skifter ut, rengjør eller inspisierer noen av delene på verktøyet.
- ◆ Når verktøyet ikke er i bruk, må det oppbevares på et tørt sted. Oppbevares utilgjengelig for barn.

Kontroll og reparasjon

- ◆ Før bruk må du kontrollere at verktøyet ikke er skadet eller er feilmontert. Se etter feiljusteringer, om deler har satt seg fast eller har gått i stykker, skadede deksler og brytere eller andre forhold som kan påvirke bruken av verktøyet.
- ◆ Bruk aldri verktøyet hvis noen av delene er skadet. Ikke bruk verktøyet hvis det ikke er mulig å slå det på og av med strømbryteren.
- ◆ Bruk aldri verktøyet hvis ikke alle beskyttelser og kåper er på plass.
- ◆ Kontroller at verktøyet fungerer som det skal og utfører beregnet funksjon.
- ◆ Hvis noen av delene er skadet så få de reparert eller byttet ut av et autorisert Black & Decker serviceverksted.
- ◆ Før bruk må du kontrollere at ledningen ikke er skadet eller slitt.
- ◆ Bruk aldri verktøyet hvis ledningen er skadet.
- ◆ Hvis ledningen er skadet, må den byttes ut av et autorisert Black & Decker serviceverksted.
- ◆ Prøv aldri å fjerne eller skifte ut andre deler enn de som er angitt i denne håndboken.

Ekstra sikkerhetsinstruksjoner for gresstrimmere

Du finner følgende varselssymboler på verktøyet:



Ha på deg vernebriller når du bruker dette verktøyet.



Trimmertråden fortsetter å rotere i et par sekunder etter at verktøyet er slått av. Prøv aldri å tvinge tråden til å stoppe.



Ikke tillat at barn og dyr oppholder seg nærmere arbeidsområdet enn 6 meter.





NORSK



Utsett ikke verktøyet for regn eller høy fuktighet.



Slå av verktøyet, trekk ut kontakten og kontroller at bevegelige deler ikke roterer før du forlater verktøyet, skifter ut, rengjør eller kontrollerer noen av delene på verktøyet.

- ◆ Før du bruker verktøyet, må du sjekke at arbeidsområdet er fritt for kvister, steiner, ledninger og andre hindringer.
- ◆ Bruk bare verktøyet i riktig stilling, med trimmertråden mot bakken, som vist i illustrasjonene. Verktøyet må aldri slås på i andre stillinger.
- ◆ Når du slår på verktøyet, må du holde hender og føtter langt vekk fra trimmertråden.
- ◆ Unngå at trimmertråden kommer i kontakt med kroppsdeler mens verktøyet er i gang.
- ◆ Ikke arbeid i bratte skråninger. Bruk egnede sko. Husk at nyklipt gress er fuktig og glatt.
- ◆ Vær forsiktig når du trimmer gress i nærheten av kanter, grusganger eller veier, fordi trimmertråden kan slenge opp jord og stein.
- ◆ Legg ikke verktøyet fra deg før trimmertråden har stoppet fullstendig.
- ◆ Pass på at du bruker riktig type trimmertråd fra Black & Decker. Du må aldri bruke trimmertråder av metall eller fiskesnøre.
- ◆ Ta alle nødvendige forholdsregler for å unngå å bli skadet av trådskjærekniiven. Berør ikke kniven. Når du har dratt frem en ny trimmertråd, må verktøyet alltid settes tilbake i vanlig utgangsstilling før du slår det på.
- ◆ Pass på at ledningen holdes i god avstand fra trimmertråden. Pass på at du alltid vet hvor ledningen er.

ELEKTRISK SIKKERHET

Verktøyet er kun konstruert for én spenning. Kontroller at nettspenningen er i overensstemmelse med spenningen på typeskiltet.



Dette verktøyet er kun beregnet for bruk med vekselstrøm. Du må ikke bruke annen strømforsyning.



Verktøyet er dobbeltisolert i samsvar med EN 60335. Jordet ledning er derfor ikke nødvendig.

- ◆ Unngå å komme i kontakt med jodede overflater (f.eks. metallrekkverk, lyktestolper osv.).
- ◆ Strømsikkerheten kan forbedres ytterligere ved bruk av jordfeilbryter med høy følsomhet (30 mA/30 mS).

Bruk med skjøteledning

Bruk en godkjent skjøteledning som er egnet for dette verktøyets kraftbehov (se typeskiltet). Skjøteledningen må være egnet for utendørs bruk.

- ◆ Før bruk må du kontrollere at ledningen ikke er skadet eller slitt. Skift ut skjøteledningen hvis den er skadet.
- ◆ Hvis du bruker en kabeltrommel, vikl alltid ut all ledningen.
- ◆ Pass på at ledningen holdes i god avstand fra trimmertråden. Pass på at du alltid vet hvor ledningen er.

INNHold I KARTONGEN

Kartongen inneholder:

- 1 Gresstrimmer
- 1 Beskyttelse med festeskruer
- 1 Plantebeskytter inkl. delepakke (kun GL660P/GL670P)
- 1 Bruksanvisning

- ◆ Pakk forsiktig ut alle delene.

OVERSIKT (fig. A)

1. Strømbryter
2. Håndtak
3. Kabelholder
4. Strøminntak
5. Støttehåndtak
6. Håndtak-knapp (GL670/GL670P)
7. Hylse
8. Kabelkroker
9. Motordeksel
10. Pedal (GL670/GL670P)
11. Beskyttelse
12. Skjærekniv for trimmertråd



NORSK

- 13. Kantguide
- 14. Spolehus
- 15. Trimmertråd

MONTASJE



Før monteringen, må du passe på at verktøyet er slått av og at kontakten er trukket ut.

Montere beskyttelsen (fig. B)

- ◆ Trekk ut støpslet.
- ◆ Ta skruen (16) ut av huset.
- ◆ Plasser beskyttelsen (11) på maskinen som vist.
- ◆ Trykk beskyttelsen ned til den klikker på plass.
- ◆ Fest beskyttelsen med skruen (16).



Ikke bruk verktøyet med mindre beskyttelsen er satt riktig på.

Frigjøre trimmertråd (fig. A)

Ved forsendelse er trimmertråden tapet til spolehuset.

- ◆ Fjern tapen som fester trimmertråden (15) til spolehuset (14).

Sette på plantebeskytteren (fig. C)

Plantebeskytteren leveres som standardutstyr sammen med GL660P og GL670P. For andre modeller er den tilgjengelig som tilbehør.

- ◆ Sett plantebeskytteren (17) over beskyttelsen som vist. Kontroller at retningen er riktig.
- ◆ Sett de to plasthettene (18) på plantebeskytteren. Juster merkene (19) på hettene i henhold til merkene på beskyttelsen (11).
- ◆ Fest hettene ved hjelp av skruene (20). Ikke stram skruene for mye.



Vent til trimmertråden har stanset før du justerer plantebeskytteren.

Kople verktøyet til strømtilførsel (fig. A)

- ◆ Kople hunnpluggen på en egnet skjøteledning til strømtilførseltaket (4).
- ◆ Hekt kablet gjennom kabelholderen som vist i fig. O.
- ◆ Sett støpslet inn i et strømuttak.



Skjøteledningen må være egnet for utendørs bruk.

ANVENDELSE



La verktøyet jobbe i sin egen hastighet. Ikke overbelast.

Stille inn verktøyet for trimming eller kantklipping (fig. D, E & F)

Verktøyet kan brukes i trimmermodus, som vist i fig. D, eller i kantklippermodus for klipping av overhengende gress langs plenkanter og blomsterbed, som vist i fig. E.

Trimmermodus (fig. D & F)

Ved trimming skal trimmerhodet være i posisjonen vist i fig. D. Hvis ikke:

- ◆ Drei låseringen (7) mot klokken.
- ◆ Drei trimmerlegemet mot klokken til trimmerhodet festes i posisjon for trimming.
- ◆ Stram låseringen ved å dreie den med klokken.

Trimmermodus (fig. E & F)

Ved kantklipping skal trimmerhodet være i posisjonen vist i fig. E. Hvis ikke:

- ◆ Drei låseringen (7) mot klokken.
- ◆ Drei trimmerlegemet med klokken til trimmerhodet festes i posisjon for kantklipping.
- ◆ Stram låseringen ved å dreie den med klokken.

GL670/GL670P -

Justere støttehåndtaket (fig. A & G)

Støttehåndtaket kan justeres for optimal balanse og komfort.

- ◆ La beskyttelsen (11) hvile på bakken.
- ◆ Hold håndtak-knappen (6) nede og flytt håndtaket (5) til ønsket posisjon.
- ◆ Slipp håndtak-knappen.

GL660/GL660P/GL670/GL670P -

Justere høyden på verktøyet (fig. A & H)

Dette verktøyet har et teleskoplegeme, slik at du kan stille det til en komfortabel høyde.

- ◆ La beskyttelsen (11) hvile på bakken.
- ◆ Drei låseringen (7) mot klokken.





NORSK

- ◆ Flytt bryterhåndtaket opp eller ned til ønsket høyde.
- ◆ Stram låseringen ved å dreie den med klokken.

GL670/GL670P -

Justere vinkelen til trimmerhodet (fig. I)

Du kan justere trimmerhodevinkelen til optimal trimmervinkel uansett hvor lang du er. Funksjonen gjør også at du kan trimme under benker og busker.

- ◆ La beskyttelsen (11) hvile på bakken.
- ◆ Hold pedalen (10) nede med foten, og flytt bryterhåndtaket opp eller ned som ønsket.
- ◆ Slipp pedalen.

Start og stopp (fig. A)

- ◆ Trykk på på/av-bryteren (1) for å slå verktøyet på.
- ◆ Slipp på/av-bryteren for å slå verktøyet av.



Prøv aldri å låse en strømbryter i startstilling.

Råd for optimalt resultat

Trimming

- ◆ Hold verktøyet som vist i fig. D.
- ◆ Sving trimmeren forsiktig fra side til side, som vist i fig. D.
- ◆ Arbeid i flere omganger fra toppen av gresset hvis dette er langt. Klipp lite om gangen.
- ◆ Hold verktøyet i god avstand fra harde gjenstander og ømtålige planter.
- ◆ Hvis verktøyet begynner å gå sakte, reduserer du belastningen.

Kantklipping

Optimale klipperesultater oppnås på kanter som er dypere enn 50 mm.

- ◆ Ikke bruk verktøyet til å lage nye kanter. Bruk en kantspade når du skal lage nye kanter.
- ◆ Før verktøyet som vist i fig. E. Hold kantguiden mot plenkannten.
- ◆ Vil du klippe tettere, vipper du litt på verktøyet.

Generelt

- ◆ Du oppnår optimale klipperesultater hvis du bare klipper tørt gress.

GL660P/GL670P - Bruke plantebeskytteren (fig. J)

Med plantebeskytteren kan du beskytte plantene mens du trimmer langs plenkanter.

- ◆ I trimmermodus stiller du plantebeskytteren til posisjon A.
- ◆ I kantklippermodus stiller du plantebeskytteren til posisjon B eller C.
- ◆ Når det ikke er planter i nærheten av klippeområdet, stiller du plantebeskytteren til posisjon D.

VEDLIKEHOLD

Ditt Black & Decker verktøy har blitt utformet for å være i drift over en lang periode med et minimum av vedlikeholdelse. Ved riktig vedlikehold og regelmessig rengjøring beholder verktøyet sin prestasjon.



Før du setter igang hvilke som helst vedlikeholdelse må verktøyet slås av og kontakten trekkes ut.

- ◆ Rengjør ventilasjonsåpningene på verktøyet regelmessig med en myk børste eller en tørr klut.
- ◆ Rengjør trimmertråden og spolen regelmessig ved hjelp av en myk børste eller tørr klut.
- ◆ Bruk en butt skrape til å fjerne gress og smuss med jevne mellomrom fra undersiden av beskyttelsen.

Sette på en ny spole med trimmertråd (fig. K & L)

Du får spoler med trimmertråd fra din

Black & Decker forhandler (kat. nr. A6441).

Komplette kassetter med en spole trimmertråd er også tilgjengelig (kat. nr. A6442).

- ◆ Trekk ut støpslet.
- ◆ Hold tappene (21) nede og fjern spolebeskyttelsen (22) fra spolehuset (23) (fig. K).
- ◆ Ta den tomme spolen (24) ut av spoledekslet.
- ◆ Fjern smuss og gress fra spoledekslet og -huset.
- ◆ Skyv den nye spolen inn på bøsningen i spoledekslet. Drei forsiktig på spolen til den sitter på plass.
- ◆ Hekte av den ene enden av trimmertråden og trø den inn i en av åpningene (25) (fig. L). Tråden skal stikke omtrent 9 cm ut av spoledekslet.



NORSK

- ◆ Løsne enden av den andre trimmertråden og trø den inn i den andre åpningen. Tråden skal stikke omtrent 9 cm ut av spoledekslet.
- ◆ Sett tappene (21) på spoledekslet på linje med hullene (26) i huset (fig. K).
- ◆ Skyv dekslet inn på spoletil til det klikker på plass.



Hvis trimmertrådene stikker ut forbi skjærekniven (12), må de kuttes, slik at de så vidt når frem til bladet.

Surre den nye tråden opp på en tom spole (fig. M, N & P)

Du kan surre den nye trimmertråden opp på en tom spole. Du får pakker med trimmertråd fra din Black & Decker forhandler (kat. nr. A6440).

- ◆ Fjern den tomme spolen fra verktøyet, som beskrevet over.
- ◆ Fjern eventuell resterende trimmertråd fra spolen.
- ◆ Vikle først opp den nye tråden på den øverste delen av spolen:
 - Mat 2 cm trimmertråd inn i ett av hullene i øvre del av spolen, som vist.
 - Surr trimmertråden opp på spolen i pilens retning. Pass på at du surrer opp tråden pent i jevne lag. Ikke surr i kryss.
 - Når den oppsurrede tråden når frem til innsparingene (28), kutter du den.
 - Fest tråden midlertidig i sporene (27) på siden av spolen, som vist.
- ◆ Gjenta fremgangsmåten ovenfor for den andre trimmertråden på nedre del av spolen. Fest tråden i de ubrukte sporene (27).
- ◆ Følg fremgangsmåten over for å montere spolen på verktøyet. Ikke glem å løsne trimmertråden fra sporene (27) der du festet den midlertidig.



Pass på at du bruker riktig type trimmertråd fra Black & Decker. Forsikre deg om at det er skjæretråd i begge seksjoner av spolen (fig. P).

PROBLEMLØSING

Hvis verktøyet ikke ser ut til å fungere som det skal, følger du instruksjonene nedenfor. Løser ikke dette problemet, kontakter du et autorisert Black & Decker serviceverksted.



Før du går videre, trekker du ut støpslet.

Verktøyet går sakte

- ◆ Sjekk at spoletil kan rotere fritt. Rengjør forsiktig om nødvendig.
- ◆ Sjekk at trimmertråden ikke stikker lenger ut enn 9 cm fra spoletil. Gjør den det, klipper du den av, slik at den så vidt når skjærekniven for trimmertråden.

Automatisk trådmating fungerer ikke

- ◆ Hold tappene nede og fjern spoledekslet fra huset.
- ◆ Trekk ut trimmertråden til den stikker 9 cm ut av huset. Hvis det ikke er nok trimmertråd igjen på spolen, setter du på en ny spole med tråd som forklart ovenfor.
- ◆ Sett tappene på spoledekslet på linje med hullene i spoletil.
- ◆ Skyv dekslet inn på spoletil til det klikker på plass.
- ◆ Hvis trimmertråden stikker ut forbi skjærekniven, må den kuttes slik at den så vidt når frem til bladet.

Hvis den automatiske trådmatingen fremdeles ikke fungerer, eller hvis spolen sitter fast, kan du forsøke følgende:

- ◆ Rengjør spoledekslet og -huset forsiktig.
- ◆ Ta ut spolen og sjekk om hendelen kan beveges fritt.
- ◆ Ta av spolen og trekk ut trimmertråden. Vikle den så riktig opp igjen, som beskrevet ovenfor. Bytt spole som forklart ovenfor.





NORSK

MILJØ



Når verktøyet ditt er utslitt, beskytt naturen ved ikke å kaste det sammen med annet vanlig avfall. Lever det til kildesortering eller til et Black & Decker serviceverksted.

GARANTI

Black & Decker (Norge) A/S garanterer at maskinen er uten material- og/eller fabrikkfeil ved levering kjøperen. Garantitiden er spesifisert på maskinens forpakning og i gjeldende kataloger. Garantitiden kan være ett alternativt to år avhengig av produktslag. Garantien omfatter ikke detaljer av forbrukskarakter, normalt vedlikehold, slitasje eller forandring som er en følge av normalt bruk, innstillingsjustering eller annen justering som normalt håndteres av kjøperen, vedlikehold eller bruk av maskinen i strid med bruksanvisningen, mislighold, overbelastning, unormalt intensivt bruk eller annet unormalt bruk, ombygging, endring eller annen forandring eller lignende forhold fra kjøperens side.

- ◆ For å påberope feil som omfattes av garanti skal kjøperen underrette nærmeste autoriserte Black & Decker serviceverksted om feilen innen fjorten dager etter at feilen oppdages.
- ◆ Kjøperen skal kunne fremvise kvittering, faktura eller annet kjøpsbevis som viser hvor og når verktøyet ble kjøpt.
- ◆ Kjøperen skal for egen bekostning levere verktøyet udemontert til autorisert serviceverksted eller til kjøpsstedet.

Black & Decker (Norge) A/S har ansvar for at maskiner som er beheftet med feil som omfattes av garantien, og reparere eller bytte ut disse kostnadsfritt etter Black & Decker (Norge) A/S valg. Utover ansvar for reparasjoner eller bytte har Black & Decker (Norge) A/S ingen ansvar. Garantien gir dermed f.eks. ikke rett til skadeerstatning. For konsumentkjøp gjelder dessuten Kjøpsloven som regulerer forholdet mellom forhandler og kunde.

SERVICE

Skulle det oppstå feil på maskinen, lever den alltid inn til et autorisert Black & Decker serviceverksted eller der hvor du kjøpte den. Se aktuell katalog for mer informasjon eller kontakt Black & Decker (Norge) A/S. Oversikt over våre autoriserte serviceverksteder finnes også på Internett, vår hjemmeside www.blackdecker.no samt www.2helpU.com.

Du kan også kontakte Black & Decker (Norge) A/S (adressen finner du bakpå bruksanvisningen). Skulle ditt verktøy trenge reparasjon, leveres verktøyet til et Black & Decker autorisert serviceverksted eller kjøpstedet.

På grunn av forskning og utvikling kan spesifikasjonene endres, noe som ikke meddeles separat.

ANDRE HAGEVERKTØY

Black & Decker har et bredt sortiment av verktøy for utendørsbruk som gjør arbeidet i hagen enklere. Kontakt nærmeste Black & Decker forhandler for ytterligere informasjon eller besøk vår hjemmeside: www.blackdecker.no.

Mosefjerner
Gressklippere
Hekksaker
Kjedesager
Gresstrimmere
Løvfjerner
Kompostkverner

Ikke alle produkter er tilgjengelige i alle land.

DANSK

GRÆSTRIMMER GL650/GL660/GL660P/GL670/GL670P


Tak fordi du valgte Black & Decker. Vi håber at du får glæde af dette værktøj i mange år fremover.

EU-OVERENSSTEMMELSESERKLÆRING

CE GL650/GL660/GL660P/GL670/GL670P
Black & Decker erklærer at disse værktøjer er konstrueret i henhold til: 98/37/EØF, 89/336/EØF, 73/23/EØF, EN 60335, EN 55014, EN 61000

Lydniveauet målt i henhold til 84/538/EØF:

		GL650	GL660	GL670
			GL660P	GL670P
L _{PA} (lydniveau)	dB(A)	83	83	83
L _{WA} (akustisk styrke)	dB(A)	96	96	96

 Anvend høreværn, hvis lydniveauet overstiger 85 dB(A).

Den vægtede geometriske middelværdi af accelerationsfrekvensen i henhold til 98/37/EØF:

GL650	GL660	GL660P	GL670	GL670P
< 2,5 m/s ²	< 2,5 m/s ²	< 2,5 m/s ²	< 2,5 m/s ²	< 2,5 m/s ²

lowe

Brian Cooke
Director of Engineering
Spennymoor, County Durham DL16 6JG,
United Kingdom

ANVENDELSESOMRÅDE

Denne Black & Decker græstrimmer GL650/GL660/GL660P/GL670/GL670P er designet til trimning og færdiggørelse af græskanterne og til slåning af græs på begrænsede arealer. Værktøjet er kun beregnet til privat brug.

SIKKERHEDSINSTRUKTIONER

Piktogrammer

Følgende piktogrammer anvendes i denne brugsanvisning:



Angiver risiko for personskade, livsfare eller ødelæggelse af værktøjet, hvis brugsanvisningens instruktioner ikke følges.



Angiver risiko for elektrisk stød.



Læs brugsanvisningen igennem, inden værktøjet tages i brug.

Lær værktøjet at kende



- ♦ **Advarsel!** Ved brugen af elværktøj skal de grundlæggende sikkerhedsforanstaltninger, inkl. følgende, altid følges, således at risikoen for brand, elektrisk stød og personskader begrænses.
- ♦ Læs denne brugsanvisning igennem, inden værktøjet tages i brug.
- ♦ Du skal sikre dig, at du ved, hvordan værktøjet slukkes, inden det tages i brug.
- ♦ Brugen af værktøjet er beskrevet i denne brugsanvisning. Anvendelsen af andet tilbehør eller udførelse af opgaver med andet værktøj end det her anbefalede kan medføre risiko for personskader.



DANSK

- ◆ Opbevar brugsanvisningen let tilgængeligt.

Arbejdsområde

- ◆ Udsæt ikke værktøjet for regn. Anvend ikke værktøjet på fugtige eller våde pladser.
- ◆ Brug kun værktøjet i dagslys eller med god kunstig belysning.

Personlig beskyttelse

- ◆ Bær kraftige sko til beskyttelse af fødderne. Man må ikke arbejde med værktøjet, mens man har åbne sandaler på eller er barfodet.
- ◆ Bær lange bukser til beskyttelse af benene.

Arbejde med værktøjet

- ◆ Sørg for, at værktøjet er slukket, når ledningen tilsluttes strømmen.
- ◆ Vær opmærksom. Se på det, du gør. Brug din sunde fornuft.
- ◆ Brug ikke værktøjet, når du er trætt.
- ◆ Hvis værktøjet begynder at vibrere unormalt, skal det afbrydes, og proppen skal trækkes ud af stikket. Lad de roterende dele standse helt, og undersøg værktøjet for skader og løse dele.
- ◆ Træk aldrig i ledningen for at tage stikket ud af kontakten. Ledningen skal holdes på afstand fra varme, olie og skarpe kanter.
- ◆ Hvis elledningen er blevet beskadiget under brug, skal værktøjet slukkes, og proppen trækkes ud af kontakten øjeblikkeligt. **Rør ikke ved elledningen, før den er trukket ud af kontakten.**

Sikkerhed for andre

- ◆ Tillad ikke børn eller personer, der ikke har læst denne brugsanvisning, at arbejde med værktøjet.
- ◆ Børn, besøgende eller dyr må ikke nærme sig arbejdsområdet eller røre ved værktøjet eller netkablet.
- ◆ Husk, at brugeren kan gøres ansvarlig for ulykker eller skader, der påføres andre mennesker eller deres ejendom.

Efter brug

- ◆ Sluk værktøjet, træk proppen ud af stikket, og sørg for, at de bevægelige dele er holdt op med at rotere, før værktøjet efterlades ubevogtet, samt før en eller flere dele ændres, renses eller undersøges.
- ◆ Når værktøjet ikke er i brug, skal det opbevares et tørt sted. Børn må ikke have adgang til værktøjet, når det opbevares.

Undersøgelse og reparation

- ◆ Før brug skal værktøjet kontrolleres for skader eller defekte dele. Check de bevægelige dele for skæv indstilling og sammenbrændinger, kontrollér for brud på dele, skader på skærme og kontakter samt alt andet, der kan påvirke værktøjets funktion.
- ◆ Værktøjet må ikke benyttes, hvis en af delene er beskadiget eller defekt. Brug ikke værktøjet, hvis det ikke kan tændes og slukkes ved afbryderen.
- ◆ Brug aldrig værktøjet, hvis en af sikkerhedsskærmene eller afskærmningerne er beskadiget eller fjernet.
- ◆ Kontrollér, at værktøjet fungerer rigtigt og kan udføre det arbejde, det er beregnet til.
- ◆ Skadede eller defekte dele skal repareres eller udskiftes af en autoriseret tekniker.
- ◆ Før brug kontrolleres ledningen for tegn på skader, ældning og slid.
- ◆ Brug ikke værktøjet, hvis ledningen er beskadiget eller defekt.
- ◆ Hvis ledningen er skadet, skal den udskiftes af en autoriseret reparatør for at undgå ulykker.
- ◆ Forsøg aldrig at fjerne eller udskifte andre dele end dem, der er specificeret i denne brugsanvisning.

Ekstra sikkerhedsvejledning til græstrimmere

Følgende advarselssymboler findes på værktøjet:



Man skal bære sikkerhedsbriller, når man arbejder med dette værktøj.



Trimmertråden fortsætter med at løbe rundt i et par sekunder, efter at der er slukket for værktøjet. Man må aldrig tvinge tråden til standsning.

DANSK



Hold mennesker og dyr mindst 6 meter fra slåområdet.



Udsæt ikke værktøjet for regn eller høj fugtighed.



Sluk værktøjet, træk proppen ud af stikket, og sørg for, at de bevægelige dele er holdt op med at rotere, før værktøjet efterlades ubevogtet, samt før en eller flere dele ændres, renses eller undersøges.

- ◆ Før du benytter værktøjet, skal du kontrollere, at slåområdet er fri for pinde, sten, tråd eller andre hindringer.
- ◆ Brug kun værktøjet, mens du står oprejst med trimmertråden nede ved jorden som vist på illustrationerne. Tænd aldrig for værktøjet, hvis du befinder dig i nogen anden stilling.
- ◆ Tænd kun for værktøjet, når hænder og fødder er i sikker afstand fra trimmertråden.
- ◆ Undgå kropskontakt med trimmertråden, mens værktøjet er i gang.
- ◆ Arbejd ikke på meget stejle skråninger. Man skal være bevidst om, hvor man sætter fødderne. Vær opmærksom på, at frisk afskåret græs er fugtigt og fedtet.
- ◆ Pas på ved trimning i nærheden af kanter og grusstier eller veje, idet sten og jord kan sættes i bevægelse af trimmertråden.
- ◆ Stil ikke værktøjet fra dig, før trimmertråden er fuldstændigt stoppet.
- ◆ Brug kun den rigtige type trimmertråd fra Black & Decker. Brug aldrig trimmertråd af metal eller fiskesnøre.
- ◆ Vær forsigtig for at undgå at blive skadet af skærebladet til trimmeren. Rør ikke ved skærebladet. Efter at have trukket ny trimmertråd frem skal man altid sætte værktøjet tilbage til normal arbejdsposition, før man tænder for det igen.
- ◆ Vær omhyggelig med at holde strømkablet væk fra trimmertråden. Vær altid opmærksom på, hvor kablet er.

ELEKTRISK SIKKERHED

Værktøjet er kun beregnet til én spænding. Kontroller, at strømforsyningen svarer til spændingen på typeskiltet.



Dette værktøj er kun designet til brug med vekselstrømsforsyning (AC). Forsøg ikke at bruge nogen anden form for elforsyning.



Laderen er dobbelt isoleret i henhold til EN 60335; jordledning er derfor ikke påkrævet.

- ◆ Undgå kropskontakt med jordede overflader (f.eks. metalgelændere, lygtepæle osv.).
- ◆ Den elektriske sikkerhed kan forbedres yderligere ved brug af en højfølsom (30 mA/30 mS) fejlstrømsafbryder (RCD).

Anvendelse af forlængerkabel

Brug altid en godkendt forlængerledning, der passer til strømstikket på dette værktøj (se typeskiltet). Forlængerledningen skal være velegnet til udendørs brug.

- ◆ Før brug kontrolleres elledningen for tegn på skader, slid og ældning. Udskift forlængerledningen, hvis den bliver beskadiget eller defekt.
- ◆ Ved anvendelse af en kabeltromle, skal kablet altid vindes helt ud.
- ◆ Vær omhyggelig med at holde kablet væk fra trimmertråden. Vær altid opmærksom på, hvor kablet er.

KASSENS INDHOLD

Kassen indeholder følgende:

- 1 Græstrimmer
- 1 Beskyttelsesskærm med monteringskrue
- 1 Plantebeskytter inkl. kit med emnedelene (kun GL660P/GL670P)
- 1 Brugsvejledning

- ◆ Pak forsigtigt alle dele ud.

OVERSIGT (fig. A)

1. Afbryder
2. Håndtag
3. Kabelfastspænding



DANSK

4. Stik til elledning
5. Sekundært håndtag
6. Håndtagsknap (GL670/GL670P)
7. Manchet
8. Kroge til kabelopbevaring
9. Motorhus
10. Pedal (GL670/GL670P)
11. Beskyttelseskærm
12. Skæreblad til trimmertråden
13. Kantguide
14. Spolehus
15. Trimmertråd

MONTERING



Før montering skal man sikre sig, at værktøjet er slukket og taget ud af stikkontakten.

Påsætning af beskyttelseskærmen (fig. B)

- ◆ Afbryd værktøjet.
- ◆ Fjern skruen (16) fra huset.
- ◆ Placér beskyttelseskærmen (11) på værktøjet som vist.
- ◆ Tryk fast på beskyttelseskærmen, indtil den klikker på plads.
- ◆ Fastgør beskyttelseskærmen med skruen (16).



Brug aldrig værktøjet, hvis beskyttelseskærmen ikke sidder ordentligt fast.

Løsning af trimmertråden (fig. A)

I passagen tapes trimmertråden til spolehuset.

- ◆ Fjern den tape, der fæster trimmertråden (15) til spolehuset (14).

Påsætning af plantebeskytteren (fig. C)

Plantebeskytteren leveres som standardtilbehør til GL660P & GL670P. Den kan fås som ekstra tilbehør til de øvrige modeller.

- ◆ Placér plantebeskytteren (17) over beskyttelseskærmen som vist. Sørg for, at retningen er korrekt.
- ◆ Placér de to plastikhætter (18) på plantebeskytteren, så markeringerne (19) på hætterne sidder ud for markeringerne på beskyttelseskærmen (11).

- ◆ Fastgør hætterne ved hjælp af skrueerne (20). Stram ikke skrueerne for meget.



Vent, til trimmertråden er holdt op med at bevæge sig, før du justerer plantebeskytteren.

Tilslutning af værktøjet til elnettet (fig. A)

- ◆ Sæt hunstikket på en passende forlængerledning i elstikket (4).
- ◆ Dan en løkke på kablet gennem kabelfastspændingen som vist i fig. O.
- ◆ Indsæt stikket i stikkontakten.



Vent indtil trimmertråden er holdt op med at bevæge sig, før du justerer plantevisiret.

BRUG



Lad værktøjet arbejde i dets eget tempo. Man må ikke overbelaste det.

Indstilling af værktøjet til trimnings- eller kantklipningsindstilling (fig. D, E & F)

Værktøjet kan bruges i trimningsindstilling som vist på fig. D eller i kantklipningsindstilling for at trimme udhængende græs langs med græsplænekanten og blomsterbedene som vist på fig. E.

Trimningsindstilling (fig. D & F)

Til trimning skal trimmerens hoved være i den position, der er vist på fig. D. Hvis den ikke er det, skal du gøre følgende:

- ◆ Drej manchetten (7) mod uret.
- ◆ Drej selve trimmeren mod uret, indtil trimmerhovedet kommer i trimningsposition.
- ◆ Stram manchetten ved at dreje den med uret.

Kantklipningsindstilling (fig. E & F)

Til kantklipping skal trimmerens hoved være i den position, der er vist på fig. E. Hvis den ikke er det, skal du gøre følgende:

- ◆ Drej manchetten (7) mod uret.
- ◆ Drej selve trimmeren med uret, indtil trimmerhovedet kommer i kantklipningsposition.
- ◆ Stram manchetten ved at dreje den med uret.



DANSK

GL670/GL670P - Justering af placeringen af det sekundære håndtag (fig. A & G)

Det sekundære håndtag kan justeres, så det giver optimal balance og komfort.

- ◆ Lad beskyttelseskærmen (11) hvile på jorden.
- ◆ Flyt håndtaget (5) til den ønskede position, mens håndtagsknappen (6) holdes inde.
- ◆ Slip håndtagsknappen.

GL660/GL660P/GL670/GL670P -

Justering af værktøjets højde (fig. A & H)

Dette værktøj har et teleskopisk skaft, så du kan indstille det til den mest behagelige højde.

- ◆ Lad beskyttelseskærmen (11) hvile på jorden.
- ◆ Drej manchetten (7) mod uret.
- ◆ Flyt kontakthåndtaget op eller ned til den ønskede højde.
- ◆ Stram manchetten ved at dreje den med uret.

GL670/GL670P -

Justering af trimmerhovedets vinkel (fig. I)

Med det justerbare trimmerhoved kan du få den mest optimale trimningsvinkel, uanset hvor høj du er. Du kan også trimme under bænke og buske.

- ◆ Lad beskyttelseskærmen (11) hvile på jorden.
- ◆ Mens du holder pedalen (10) nedtrykket med foden, kan du flytte kontakthåndtaget op eller ned efter behov.
- ◆ Slip pedalen.

Start og stop (fig. A)

- ◆ Tryk på afbryderen (1) for at tænde værktøjet.
- ◆ Tryk på afbryderen (1) igen for at slukke værktøjet.



Forsøg aldrig at låse en knap fast på positionen "on".

Gode råd til optimalt brug

Trimning

- ◆ Hold værktøjet som vist på fig. D.
- ◆ Sving trimmeren blødt fra side til side som vist på fig. D.
- ◆ Hvis du arbejder i højt græs, skal du slå det i flere omgange fra toppen. Tag små afskæringer ad gangen.

- ◆ Hold værktøjet væk fra hårde objekter og sarte planter.
- ◆ Hvis værktøjet begynder at køre langsomt, skal du reducere belastningen.

Kantklipping

Du opnår de mest optimale klipningsresultater på kanter, der er dybere end 50 mm.

- ◆ Brug ikke værktøjet til at lave kanter med. Brug i stedet en kantspade.
- ◆ Før værktøjet som vist på fig. E. Hold kantguiden ind mod plænekanten.
- ◆ Stil værktøjet skråt, hvis du vil lave en tættere klipping.

Generelt

- ◆ Hvis du vil opnå optimale klipperesultater, skal du kun klippe, når græsset er tørt.

GL660P/GL670P - Brug af plantebeskytteren (fig. J)

Med plantebeskytteren kan du beskytte planterne, mens du trimmer langs med græskanterne.

- ◆ I trimningsindstilling sættes plantebeskytteren i position A.
- ◆ I kantklipningsindstilling sættes plantebeskytteren i position B eller C.
- ◆ Hvis der ikke er nogen planter i nærheden af klipningsområdet, sættes plantebeskytteren i position D.

VEDLIGEHOVELSE

Deres Black & Decker værktøj er blevet designet til at være i drift gennem en længere periode med en minimal vedligeholdelse. Forsat tilfredsstillende drift afhænger af en korrekt behandling af værktøjet samt regelmæssig rengøring.



Før udførelse af vedligeholdelsesarbejde, skal værktøjet slukkes og tages ud af stikkontakten.

- ◆ Man skal regelmæssigt rengøre værktøjets ventilationshuller med en blød børste eller en tør klud.
- ◆ Rens regelmæssigt trimmertråden og spolen med en blød børste eller en tør klud.
- ◆ Brug jævnlige stump skraber til at fjerne græs og snavs fra undersiden af beskyttelseskærmen.





DANSK

Isætning af en ny trimmertråd-spole (fig. K & L)

Nye spoler med trimmertråd kan fås hos din Black & Decker-forhandler (cat. no. A6441). Desuden kan man få en hel kassette med en spole med trimmertråd (cat. no. A6442).

- ◆ Afbryd værktøjet.
- ◆ Tryk tapperne (21) ind og hold dem, og fjern spoledækslet (22) fra huset (23) (fig. K).
- ◆ Fjern den tomme spole (24) fra spoledækslet.
- ◆ Fjern al snavs og græs fra spoledækslet og -huset.
- ◆ Tag den nye spole, og skub den på navet i spoledækslet. Drej spolen let, til det sidder fast.
- ◆ Klip enden af en af trimmertrådene, og stik den ind gennem et af øjerne (25) (fig. L). Tråden skal stikke ca. 9 cm ud fra spoledækslet.
- ◆ Klip enden af den anden trimmertråd, og før den ind gennem det andet øje. Tråden skal stikke ca. 9 cm ud fra spoledækslet.
- ◆ Tilpas tapperne (21) på spoledækslet til hullerne (26) i huset (fig. K).
- ◆ Skub dækslet på huset, indtil det klikker sikkert på plads.



Hvis trimmertrådene stikker ud på den anden side af skærebladet på trimmeren (12), skal de skæres af, så de netop når skærebladet.

Sådan snos en ny tråd på en tom spole (fig. M, N & P)

Du kan sno en ny trimmertråd på en tom spole. Nye pakker med trimmertråd kan fås hos din Black & Decker-forhandler (cat. no. A6440).

- ◆ Fjern den tomme spole fra værktøjet som beskrevet ovenfor.
- ◆ Fjern al resterende trimmertråd fra spolen.
- ◆ Vind den nye tråd på den yderste del af spolen først:
 - Stik 2 cm af trimmertråden ind i en af rillerne i den øverste del af spolen som vist.
 - Sno trimmertråden på spolen i pilens retning. Sørg for at sno tråden pænt og i lag. Lav ikke vindinger på kryds og tværs.
 - Når den vundne trimmertråd er nået til markeringerne (28), skæres tråden af.
 - Sæt tråden midlertidigt ind i rillerne (27) på den ene side af spolen som vist.

- ◆ Gentag ovenstående procedure for den anden trimmertråd på den nederste del af spolen. Parkér tråden i de to andre riller (27).
- ◆ Fortsæt som beskrevet ovenfor med at sætte spolen på værktøjet. Glem ikke at løsne trimmertråden fra de riller, hvor den er placeret (27).



Brug kun den rigtige type trimmertråd fra Black & Decker. Sørg for, at der er trimmertråd i begge dele af spolen (fig. P).

FEJLFINDING

Hvis værktøjet ikke virker korrekt, skal du gøre følgende. Hvis dette ikke løser problemet, kontakt et Black & Decker servicecenter.



Afbryd værktøjet, før du fortsætter.

Værktøjet kører langsomt

- ◆ Kontrollér, at spolehuset kan rotere frit. Rens det eventuelt.
- ◆ Kontrollér, at trimmertråden ikke stikker længere ud end 9 cm fra spolehuset. Hvis det er tilfældet, skal den skæres af, så den netop når skærebladet til trimmertråden.

Den automatiske trådføder virker ikke

- ◆ Hold tapperne inde, og fjern spoledækslet fra huset.
- ◆ Træk i trimmertråden, til den stikker 9 cm ud af huset. Hvis der ikke er tilstrækkelig meget tråd på spolen, skal du indsætte en ny spole trimmertråd som beskrevet ovenfor.
- ◆ Tilpas tapperne på spoledækslet til hullerne i huset.
- ◆ Skub dækslet på huset, indtil det klikker sikkert på plads.
- ◆ Hvis trimmertråden stikker ud på den anden side af skærebladet på trimmeren, skal den skæres af, så den netop når skærebladet.

Hvis den automatiske trådføder stadig ikke virker, eller hvis spolen er blokeret, kan du prøve følgende:

- ◆ Rens omhyggeligt spoledækslet og -huset.
- ◆ Fjern spolen, og kontrollér, at armen kan bevæge sig frit.



DANSK

- ◆ Fjern spolen, og sno trimmertråden af. Vind den derefter pænt på spolen igen som beskrevet ovenfor. Sæt spolen på plads igen som beskrevet.

OPSLIDT VÆRKTØJ OG MILJØET



Når dit værktøj er slidt op, beskyt da naturen ved ikke at kaste det bort sammen med almindeligt affald. Aflever det til et opsamlingssted i din kommune eller til et Black & Decker serviceværksted.

GARANTI

Black & Decker yder garanti i henhold til specifikke garantivilkår som til enhver tid kan fås hos Black & Decker Danmark.

Disse indebærer bl.a.: Black & Decker garanterer at værktøjet er frit for materiale- eller fabrikationsfejl ved leveringen. Garantien gælder 24 måneder fra leveringen. Black & Decker påtager sig omkostningsfrit at reparere eller udskifte værktøjet, efter eget valg.

- ◆ For at kunne påberåbe sig, at en fejl omfattes af garantien skal køberen underrette nærmeste autoriserede Black & Decker værksted om fejlen inden fjorten dage efter at fejlen er konstateret.
- ◆ Køberen skal kunne fremvise kvittering, faktura eller anden form for indkøbsbevis, som viser hvor og hvornår værktøjet er indkøbt.
- ◆ Køberen er pligtig til, for egne omkostninger at indlevere værktøjet samlet, til et autoriseret værksted eller der hvor værktøjet er købt.

Vedrørende almindeligt forbrugerkøb gælder desuden den del af forbrugerkøbeloven som regulerer forholdet mellem forhandler og køber.

EFTERSALGS-SERVICE

De kan finde detaljer om vor eftersalgs-service på Internettet på følgende adresse: www.2helpU.com.

Skulle der opstå fejl på værktøjet, skal det indleveres til et autoriseret værksted eller der hvor værktøjet er købt. Se katalog for yderligere information eller kontakt Black & Decker Danmark.

På grund af forskning og udvikling kan ovenstående specifikationer ændres, hvilket ikke meddeles separat.

ANDET HAVEVÆRKTØJ

Black & Decker har et stort sortiment af haveværktøj, som gør havearbejdet let. Hvis De ønsker yderligere information omkring vore produkter, bedes De sætte dem i kontakt med vore Service- og informationscentre, eller sæt Dem i forbindelse med Deres lokale Black & Decker forhandler.

Græstrimmere
Kædesave
Hækkeklippere
Beskærersakse
Plæneklippere
Løvsugere
Kompostkværne

Ikke alle produkter findes på markedet i alle lande.



SUOMI

NURMIKONVIIMEISTELIJÄ

GL650/GL660/GL660P/GL670/GL670P

Kiitos, että olet valinnut Black & Decker -koneen. Toivomme, että nautit koneen käytöstä monen vuoden ajan.

CE-VAATIMUSTENMUKAISUUSVAKUUTUS

CE GL650/GL660/GL660P/GL670/GL670P
Black & Decker vakuuttaa, että nämä työkalut ovat 98/37/EC, 89/336/EEC, 73/23/EEC, EN 60335, EN 55014, EN 61000 mukaiset.

Melutaso, mitattu 84/538/EEC:n mukaisesti:

		GL650	GL660	GL670
			GL660P	GL670P
L _{PA} (äänenpaine)	dB(A)	83	83	83
L _{WA} (ääniteho)	dB(A)	96	96	96



Käytä kuulosuojaimia, jos melutaso ylittää 85 dB(A).

Tärinätaajuuden painotettu geometrinen keskiarvo 98/37/EC mukaisesti:

GL650	GL660	GL660P	GL670	GL670P
< 2,5 m/s ²	< 2,5 m/s ²	< 2,5 m/s ²	< 2,5 m/s ²	< 2,5 m/s ²

Sowe

Brian Cooke
Director of Engineering
Spennymoor, County Durham DL16 6JG,
United Kingdom

KÄYTTÖTARKOITUS

Black & Decker -nurmikonviimeistelijä GL650/GL660/GL660P/GL670/GL670P on suunniteltu nurmikon reunojen viimeistelyyn ja nurmikon leikkaukseen ahtaissa paikoissa. Kone on tarkoitettu kotikäyttöön.

TURVALLISUUSOHJEET

Merkit

Tässä käyttöohjeessa käytetään seuraavia merkkejä:



Osoittaa henkilövahingon, hengenmenetyksen tai konevaurion vaaraa, mikäli käyttöohjeen neuvoja ei noudateta.



Osoittaa sähköiskun vaaraa.



Lue käyttöohje huolellisesti ennen koneen käyttöönottoa.

Tutustu koneeseen



- ♦ **Varoitus!** Sähkökäyttöisiä koneita käytettäessä on aina noudatettava mm. seuraavia turvallisuusohjeita, jotta tulipalojen, sähköiskujen ja henkilövahinkojen riski olisi mahdollisimman pieni.
- ♦ Lue käyttöohje huolellisesti ennen koneen käyttöönottoa.
- ♦ Varmista, että osat sammuttaa koneen, ennen kuin käynnistät sen.
- ♦ Käytä konetta ainoastaan sellaiseen työhön, johon se on tarkoitettu, ja käytä vain käyttöohjeessa suositeltuja tarvikkeita ja lisälaitteita. Ohjeesta poikkeava käyttö voi aiheuttaa onnettomuuden.



SUOMI

- ◆ Säilytä käyttöohje kaikkien koneen käyttäjien ulottuvilla.

Työskentelyalue

- ◆ Älä altista konetta sateelle äläkä käytä sitä kosteissa tai märissä paikoissa.
- ◆ Käytä konetta vain päivänvalossa tai hyvässä valaistuksessa.

Suojavaatetus

- ◆ Suojele jalkojasi käyttämällä tukevia kenkiä tai saappaita. Älä käytä konetta avojaloin tai avokärkiset sandaalit jalassa.
- ◆ Käytä pitkiä housuja suojataksesi jalkoja.

Koneen käyttäminen

- ◆ Varmista, että kone on pois päältä, ennen kuin kytket sen virtalähteeseen.
- ◆ Ole tarkkaavainen. Keskity työhösi. Käytä tervettä järkeä.
- ◆ Älä käytä sähkötyökalua, kun olet väsynyt.
- ◆ Jos kone alkaa tärinästä epätavallisesti, kytke se pois päältä ja irrota pistoke virtalähteestä. Odota, kunnes pyörivät osat ovat pysähtyneet ja tarkista, onko kone vaurioitunut tai osat löystyneet.
- ◆ Älä koskaan irrota pistoketta virtalähteestä vetämällä johdosta. Suojaa johto kuumuudelta, öljyltä ja teräviltä reunoilta.
- ◆ Jos sähköjohto vaurioituu käytön aikana, sammuta kone ja irrota pistoke virtalähteestä välittömästi. **Älä koske sähköjohtoon ennen sen irrottamista virtalähteestä.**

Muiden turvallisuus

- ◆ Älä anna lasten tai kenenkään, joka ei ole lukenut tätä käyttöohjetta tai tutustunut koneeseen, käyttää konetta.
- ◆ Älä anna lasten, vieraiden tai eläinten tulla lähelle työskentelyaluetta tai koskea koneeseen tai sähköjohtoon.
- ◆ Muista, että käyttäjä on vastuussa muille ihmisille tai heidän omaisuudelleen aiheutuvista onnettomuuksista.

Käytön jälkeen

- ◆ Sammuta kone, irrota pistoke virtalähteestä ja varmista, että liikkuvien osien pyörintä on loppunut, ennen kuin jätät koneen ilman valvontaa sekä ennen koneen osien vaihtoa, puhdistusta tai tarkastusta.
- ◆ Kun konetta ei käytetä, säilytä sitä kuivassa paikassa. Varmista, että lapset eivät pääse käsiksi koneisiin.

Tarkastus ja korjaukset

- ◆ Tarkista ennen käyttöä, ettei koneessa ole vaurioita tai viallisia osia. Tarkista, etteivät liikkuvat ja muut osat sekä suoja ole viallisia, ja että kaikki muut käyttöön mahdollisesti vaikuttavat tekijät ovat kunnossa.
- ◆ Älä käytä konetta, jos jokin sen osista on viallinen. Älä käytä konetta, jos se ei käynnisty ja pysähdy virrankatkaisijasta.
- ◆ Älä koskaan käytä konetta, jos jokin suoja tai kotelo on vaurioitunut tai ei ole paikallaan.
- ◆ Varmista, että kone toimii oikein ja täyttää tehtävänsä.
- ◆ Viallinen osa tulee korjata tai vaihtaa valtuutetussa Black & Deckerin huoltoliikkeessä.
- ◆ Tarkista ennen käyttöä, ettei sähköjohto ole viallinen tai vaurioitunut.
- ◆ Älä koskaan käytä konetta, jos sähköjohto on vaurioitunut tai viallinen.
- ◆ Jos sähköjohto on vaurioitunut, saada se vaihtaa vain valtuutetussa Black & Deckerin huoltoliikkeessä.
- ◆ Älä koskaan yritä irrottaa tai vaihtaa sellaisia osia, joita ei ole määritetty tässä käyttöohjeessa.

Lisäturvallisuusohjeet nurmikoniimeistelijälle

Koneessa on seuraavat varoitusmerkit:



Käytä suojalaseja konetta käyttäessäsi.



Leikkuulanka jatkaa pyörimistään lyhyen aikaa koneen sammutuksen jälkeen. Älä koskaan yritä pysäyttää lankaa, vaan anna sen pysähtyä itsestään.





SUOMI



Työskentele vähintään 6 m:n etäisyydellä ihmisistä ja eläimistä.



Älä altista konetta sateelle tai kosteudelle.



Sammuta kone, irrota pistoke virtalähteestä ja varmista, että liikkuvien osien pyörintä on loppunut, ennen kuin jätät koneen ilman valvontaa sekä ennen koneen osien vaihtoa, puhdistusta tai tarkastusta.

- Tarkista ennen koneen käyttöä, ettei työskentelyalueella ole oksia, kiviä, metallilankaa tai muita esteitä.
- Käytä konetta vain oikeassa asennossa leikkuulanka lähellä maata kuvan mukaisesti. Älä koskaan käynnistä konetta missään muussa asennossa.
- Käynnistettäessä konetta varmista, että kädet ja jalat ovat pois leikkuulangan tieltä.
- Vältä kosketusta leikkuulankaan koneen ollessa käynnissä.
- Älä työskentele jyrkissä rinteissä. Varmista, että seisot tukevasti. Muista, että juuri leikattu ruoho on kostea ja liukasta.
- Ole varovainen viimeistellessäsi reunoja, sorapolkuja tai teitä, sillä leikkuulangasta voi singota kiviä ja multaa.
- Älä laita konetta maahan, ennen kuin leikkuulanka on täysin pysähtynyt.
- Käytä vain Black & Deckerin suosittelemaa leikkuulankaa. Älä koskaan käytä metallista leikkuulankaa tai ongensiiamaa.
- Varo vahingoittamasta itseäsi langan leikkuuterään. Älä koske leikkuuterään. Kun olet pidentänyt uutta leikkuulankaa, aseta kone aina takaisin normaaliin käyttöasentoon ennen käynnistämistä.
- Pidä sähköjohto pois leikkuulangan tieltä. Varmista, että tiedät aina johdon sijainnin.

SÄHKÖINEN TURVALLISUUS

Kone on suunniteltu käytettäväksi vain yhdellä jännitteellä. Tarkista aina, että virtalähde vastaa arvokilvessä ilmoitettua jännitettä.



Kone on kaksoiseristetty EN 60335:n mukaisesti.

- Vältä kosketusta maadoitettuihin pintoihin (esim. metallikaiteisiin, lyhtypylväisiin jne.).
- Sähköistä turvallisuutta voidaan parantaa käyttämällä erittäin herkkää (30 mA / 30 mS) vikavirtasuojaa.

Jatkojohdon käyttö

Käytä aina oikeanlaista jatkojohtoa, joka sopii tämän koneen virransyöttöliitäntään (katso arvokilpi). Jatkojohdon tulee olla ulkokäyttöön tarkoitettu.

- Tarkista ennen käyttöä, ettei sähköjohto ole viallinen tai kulunut. Vaihda viallinen jatkojohto.
- Jos käytät jatkojohtokelaa, kelaa johto aina täysin auki.
- Pidä sähköjohto pois leikkuulangan tieltä. Varmista, että tiedät aina johdon sijainnin.

PAKKAUKSEN SISÄLTÖ

Pakkaus sisältää:

- 1 Nurmikonviimeistelijä
- 1 Suoja ja kiinnitysruuvi
- 1 Kasvisuoja, sis. varaosapakkauksen (vain GL660P/GL670P)
- 1 Käyttöohje

- Pura kaikki osat pakkauksesta varovaisesti.

YLEISKUVAUS (kuva A)

1. Virrankatkaisija
2. Kädensija
3. Johtopidike
4. Virransyöttöliitäntä
5. Lisäkädensija
6. Kädensijan säätönappi (GL670/GL670P)
7. Lukitusrengas
8. Johdon kiinnityskoukut
9. Moottorikotelo
10. Poljin (GL670/GL670P)
11. Suoja
12. Langan leikkuuterä
13. Reunaohjain
14. Kelakotelo
15. Leikkuulanka



SUOMI

KOKOAMINEN



Ennen kokoamista varmista, että kone on pois päältä eikä sitä ole liitetty virtalähteeseen.

Suojan kiinnittäminen (kuva B)

- ◆ Irrota kone virtalähteestä.
- ◆ Irrota ruuvi (16) kotelosta.
- ◆ Aseta suoja (11) työkaluun kuvan osoittamalla tavalla.
- ◆ Paina suojaa lujasti, kunnes se napsahtaa paikalleen.
- ◆ Kiinnitä suoja ruuvilla (16).



Älä koskaan käytä konetta, jos suojaa ei ole kiinnitetty oikein paikalleen.

Leikkuulangan irrottaminen (kuva A)

Leikkuulanka on teipattu kiinni kelakoteloon kuljetuksen ajaksi.

- ◆ Irrota leikkuulangan (15) kelakoteloon (14) kiinnittävä teippi.

Kasvisuojan kiinnittäminen (kuva C)

Kasvisuoja on vakiovaruste malleissa GL660P & GL670P. Se on saatavilla lisävarusteena muita malleja varten.

- ◆ Aseta kasvisuoja (17) suojan päälle kuvan osoittamalla tavalla. Varmista, että se on oikein päin.
- ◆ Aseta kaksi muovikantta (18) kasvisuojaan. Kohdista kansien merkinnät (19) suojan (11) merkintöjen kanssa.
- ◆ Kiinnitä kannet ruuveilla (20). Älä kiristä ruuveja liikaa.



Odota, kunnes leikkuulanka on täysin pysähtynyt, ennen kuin säädät kasvisuojaa.

Koneen liittäminen verkkovirtaan (kuva A)

- ◆ Kiinnitä sopivan jatkojohdon naarasliitin virransyöttöliitäntään (4).
- ◆ Laita johto lenkille johdon pidikkeeseen kuten kuvassa O.
- ◆ Kiinnitä pistoke virtalähteeseen.



Jatkojohdon tulee olla ulkokäyttöön tarkoitettu.

KÄYTTÖ



Anna koneen käydä omaan tahtiinsa. Älä ylikuormita sitä.

Koneen asettaminen viimeistely- tai reunaleikkuuasentoon (kuvat D, E & F)

Konetta voidaan käyttää joko viimeistelyyn kuten kuvassa D tai reunaleikkuuseen ruohon leikkaamiseksi nurmikon ja kukkapenkien reunoilta kuten kuvassa E.

Viimeistely (kuvat D & F)

Viimeistelyä varten leikkuupään tulee olla kuvan D mukaisessa asennossa. Jos näin ei ole, toimi seuraavasti:

- ◆ Kierrä lukitusrengasta (7) vastapäivään.
- ◆ Kierrä viimeistelijän runkoa vastapäivään, kunnes leikkuupää lukittuu viimeistelyasentoon.
- ◆ Kiristä lukitusrengas kääntämällä sitä myötäpäivään.

Reunaleikkuu (kuvat E & F)

Reunaleikkuuta varten leikkuupään tulee olla kuvan E mukaisessa asennossa. Jos näin ei ole, toimi seuraavasti:

- ◆ Kierrä lukitusrengasta (7) vastapäivään.
- ◆ Kierrä viimeistelijän runkoa myötäpäivään, kunnes leikkuupää lukittuu reunaleikkuuasentoon.
- ◆ Kiristä lukitusrengas kääntämällä sitä myötäpäivään.

GL670/GL670P -

Lisäkädensijan asennon säätäminen (kuvat A & G)

Lisäkädensijaa voidaan säätää optimaalisen tasapainon ja käyttömukavuuden saavuttamiseksi.

- ◆ Anna suojan (11) nojata maahan.
- ◆ Pidä kädensijan säätönappia (6) painettuna ja siirrä kädensija (5) haluttuun asentoon.
- ◆ Päästä irti säätönappista.





SUOMI

GL660/GL660P/GL670/GL670P -

Työskentelykorkeuden säätäminen (kuvat A & H)

Tässä koneessa on teleskooppivarsi, jonka ansiosta voit säätää työkalun itsellesi sopivaan korkeuteen.

- ◆ Anna suojan (11) nojata maahan.
- ◆ Kierrä lukitusrengasta (7) vastapäivään.
- ◆ Siirrä vartta ylös tai alas halutulle korkeudelle.
- ◆ Kiristä lukitusrengas kääntämällä sitä myötäpäivään.

GL670/GL670P -

Leikkuupään kulman säätäminen (kuva I)

Koska leikkuupään kulma on säädettävissä, voit asettaa leikkuukulman optimaaliseksi pituudestasi riippumatta. Siten voit viimeistellä myös penkkien ja pensaiden alta.

- ◆ Anna suojan (11) nojata maahan.
- ◆ Pidä poljinta (10) painettuna jalallasi ja siirrä samalla kädensijaa ylös tai alas haluttuun asentoon.
- ◆ Päästä irti polkimesta.

Käynnistys ja pysäytys (kuva A)

- ◆ Kytke kone päälle painamalla virrankatkaisijaa (1).
- ◆ Kytke kone pois päältä päästämällä irti virrankatkaisijasta.



Älä koskaan yritä lukita virrankatkaisijaa käynnistysasentoon.

Vinkkejä parhaimman tuloksen saamiseksi

Viimeistely

- ◆ Pidä konetta kuten kuvassa D.
- ◆ Liikuta viimeistelijää pehmeästi puolelta toiselle kuvan D mukaisesti.
- ◆ Leikkaa pitkää ruohoa asteittain ylhäältä lähtien. Leikkaa vain vähän kerrallaan.
- ◆ Vältä kovia esineitä tai hentoja kasveja.
- ◆ Jos kone alkaa käydä hitaasti, vähennä kuormitusta.

Reunaleikkuu

Parhaimman tuloksen saa reunoissa, jotka ovat yli 50 mm syviä.

- ◆ Älä tee reunoja koneella. Tee reunat käyttäen sopivaa lapiota.

- ◆ Ohjaa konetta kuten kuvassa E. Pidä reunaohjain nurmikön reunaa vasten.
- ◆ Jos haluat leikata lähempää, kallista konetta hieman.

Yleistä

- ◆ Paras leikkuutulos saadaan leikkaamalla kuivaa ruohoa.

GL660P/GL670P - Kasvisuojan käyttäminen (kuva J)

Kasvisuojan tarkoitus on suojata kasveja, kun viimeistelet nurmikön reunoja.

- ◆ Viimeistelyasennossa kasvisuojan tulee olla asennossa A.
- ◆ Reunaleikkuuasennossa kasvisuojan tulee olla asennossa B tai C.
- ◆ Kun leikkuualueen lähellä ei ole kasveja, aseta kasvisuoja asentoon D.

HUOLTO

Black & Deckerin kone on suunniteltu toimimaan mahdollisimman pitkän aikaa mahdollisimman vähällä huollolla. Oikealla huollolla ja säännöllisellä puhdistuksella kone säilyttää suorituskykynsä.



Ennen huoltoa ja puhdistusta tulee koneen olla pois päältä ja irti virtalähteestä.

- ◆ Puhdista koneen ilma-aukot säännöllisesti pehmeällä harjalla tai kuivalla rievulla.
- ◆ Puhdista leikkuulanka ja kela säännöllisesti pehmeällä harjalla tai kuivalla rievulla.
- ◆ Poista ruoho ja lika säännöllisesti suojan alapuolelta tylsällä kaapimella.

Uuden lankakelan asennus (kuvat K & L)

Uusia lankakeloja myyvät Black & Decker -tuotteiden jälleenmyyjät (tuotenro A6441). Saatavilla on myös lankakelakasettipakkauksia (tuotenro A6442).

- ◆ Irrota kone virtalähteestä.
- ◆ Pidä kelan suojuksen kielekkeitä (21) painettuna ja poista kelan suojuksen (22) kotelosta (23) (kuva K).
- ◆ Poista tyhjä kela (24) kelan suojuksesta.
- ◆ Poista kaikki lika ja ruoho kelan suojuksesta ja kotelosta.



SUOMI

- ◆ Paina uusi kela suojuksen keskiöön. Kierrä kela hieman, kunnes se kiinnittyy kunnolla paikalleen.
- ◆ Löysää leikkuulangan toista päätä kelalta ja vie se reikään (25) (kuva L). Lankaa täytyy tulla ulos kelan suojuksesta noin 9 cm.
- ◆ Löysää toisen leikkuulangan toista päätä kelalta ja vie se toiseen reikään. Lankaa täytyy tulla ulos kelan suojuksesta noin 9 cm.
- ◆ Kohdista kelan suojuksen kielekkeet (21) kotelon reikiin (26) (kuva K).
- ◆ Paina suojus koteloon, kunnes se napsahtaa kiinni paikalleen.



Jos leikkuulankaa ylettyy leikkuuterän (12) yli, leikkaa lanka lyhyemmäksi niin, että se on terän kohdalla.

Uuden langan kiertäminen tyhjään kelaan (kuvat M, N & P)

Tyhjään kelaan on mahdollista kiertää uusi leikkuulanka. Lankapakkauksia myyvät Black & Decker -tuotteiden jälleenmyyjät (tuotenro A6440).

- ◆ Poista tyhjä kela koneesta aiempien ohjeiden mukaisesti.
- ◆ Poista kaikki vanha leikkuulanka kelasta.
- ◆ Kierrä ensiksi uusi lanka kelan ylimmäiseen osaan:
 - Syötä 2 cm leikkuulankaa yhteen kelan yläosan urista kuvan mukaisesti.
 - Kierrä leikkuulanka kelalle nuolen suuntaan. Kierrä lankaa tasaisesti eri kerroksiin. Älä kierrä sitä ristiin.
 - Kun leikkuulankaa on kierretty syvennykseen (28) asti, katkaise lanka.
 - Aseta lanka väliaikaisesti uriin (27) kelan toisella puolella kuvan mukaisesti.
- ◆ Toista edellinen toimenpide toiselle leikkuulangalle kiertämällä se kelan alaosaan. Aseta lanka väliaikaisesti vapaana oleviin uriin (27).
- ◆ Kiinnitä kela koneeseen aikaisempien ohjeiden mukaisesti. Muista irrottaa leikkuulanka urista (27).



Käytä vain Black & Deckerin suosittelemaa leikkuulankaa. Varmista, että kelan molemmissa osissa on leikkuulankaa (kuva P).

VIANMÄÄRITYS

Jos kone ei näytä toimivan oikein, noudata seuraavia ohjeita. Jos kone ei tästä huolimatta toimi, ota yhteyttä valtuutettuun Black & Deckerin huoltopisteeseen.



Irrota kone virtalähteestä, ennen kuin jatkat.

Kone käy hitaasti

- ◆ Tarkista, että kelan kotelo pääsee pyörimään esteettä. Puhdista se varovasti tarvittaessa.
- ◆ Tarkista, että leikkuulankaa ei tule ulos kelan kotelosta yli 9 cm. Jos tulee, katkaise lanka niin, että se tulee lähemmäksi leikkuuterää.

Automaattinen langansyöttö ei toimi

- ◆ Pidä kielekkeitä painettuna ja poista kelan suojus kotelosta.
- ◆ Vedä leikkuulankaa, kunnes sitä tulee ulos kotelosta 9 cm. Jos kelalla ei ole tarpeeksi leikkuulankaa, asenna uusi leikkuulankakela aikaisempien ohjeiden mukaan.
- ◆ Kohdista kelan suojuksen kielekkeet kotelon reikiin.
- ◆ Paina suojus koteloon, kunnes se napsahtaa kiinni paikalleen.
- ◆ Jos leikkuulankaa tulee ulos leikkuuterän yli, katkaise lanka niin, että se juuri saavuttaa terän.

Jos automaattinen langansyöttö ei vielääkään toimi tai kela on jumissa, kokeile seuraavia toimenpiteitä:

- ◆ Puhdista kelan suojus ja kotelo huolellisesti.
- ◆ Poista kela ja tarkista, että sen vipu pääsee liikkumaan esteettä.
- ◆ Poista kela, pura leikkuulanka kelalta ja kierrä se sitten tasaisesti takaisin aikaisempien ohjeiden mukaisesti. Laita kela takaisin aikaisempien ohjeiden mukaisesti.

YMPÄRISTÖ



Kun koneesi on käytetty loppuun, älä heitä sitä tavallisten roskien mukana pois, vaan vie se paikkakuntasi kierrätyskeskukseen tai jätä valtuutettuun Black & Deckerin huoltopisteeseen.



SUOMI

TAKUU

Black & Decker Oy takaa, ettei laitteessa ollut materiaali- tai valmistusvikaa silloin, kun laite toimitettiin ostajalle.

- ◆ Takuu ei kata ostajan tavallisesti hoitamia asennus- tai säätötoimenpiteitä, laitteen tavanomaisesta käytöstä johtuvaa kulumista tai muutosta, normaalia huoltoa tai käyttöohjeiden vastaisesta laitteen hoidosta tai käytöstä, laitteen hoitamatta jättämisestä, ylikuormituksesta, tavanomaista intensiivisemmästä käytöstä tai muusta epätavallisesta käyttämisestä, uudelleen rakentamisesta, muuttamisesta tai muusta asiattomasta toimenpiteestä taikka muusta sellaisesta ostajan toimenpiteestä johtuvaa virhettä.
- ◆ Edellytyksenä takuuetujen saamiselle on, että ostaja ilmoittaa virheestä lähimmälle Black & Decker Oy:n valtuuttamalle huoltoliikkeelle 14 päivän kuluessa virheen ilmenemisestä tai siitä, kun ostajan olisi pitänyt huomata laitteessa olevan virheen.
- ◆ Ostajan on tällöin esitettävä laitteen ostoajankohtaa ja -paikkaa osoittava kuitti, lasku tai muu ostotodistus.
- ◆ Ostaja on velvollinen omalla kustannuksellaan toimittamaan laite purkamattomana sanottuun korjaamoon.

Kulutuskaupan osalta noudatetaan lisäksi jälleenmyyjän ja kuluttajan välillä kuluttajasuojalain säännöksiä.

Ohjeet vian sattuessa

Toimita kone mahdollisimman pian Black & Deckerin valtuuttamaan huoltoliikkeeseen. Mikäli laitteessasi on vielä takuu voimassa (24kk ostopäivästä), toimita ostokuitti tai takuutodistus koneen mukana huoltoon.

- ◆ Black & Decker Oy vastaa siitä, että laite, jossa on takuun kattama virhe korjataan ilman kustannuksia ostajalle tai vaihdetaan uuteen laitteeseen Black & Decker Oy:n valinnan mukaan.
- ◆ Laitteen korjauksen tai vaihtoehtoisesti vaihdon lisäksi Black & Decker Oy:llä ei ole muuta laitteeseen liittyvää vastuuta lukuunottamatta vastuuta tahallisesti tai törkeästä huolimattomuudesta aiheutetusta vahingosta.

Black & Decker Oy ei kuitenkaan missään olosuhteissa vastaa seurannais- tai välillisistä vahingoista.

Mikäli kulloinkin voimassa olevan lain tai vallitsevan oikeuskäytännön nojalla katsottaisiin, että Black & Decker Oy:n vastuu olisi näissä takuuehdoissa tarkoitettua laajempi, on näihin takuuehtoihin sisältyvät vastuunrajoitukset lain tai oikeuskäytännön sallimissa rajoissa kuitenkin otettava huomioon mahdollista korvausvelvollisuutta tai korvauksen määrää rajoittavina ehtoina.

HUOLTO

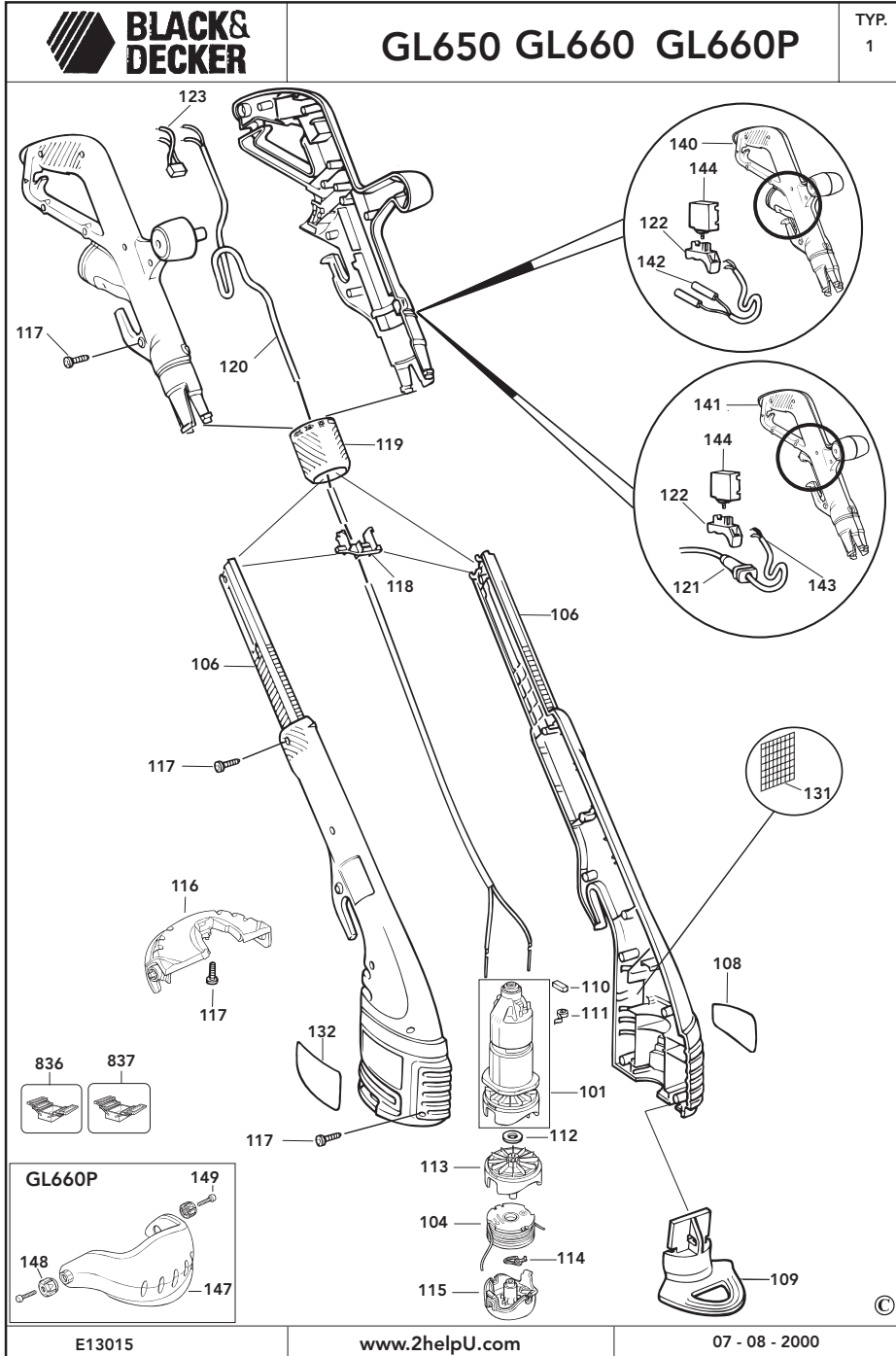
Mikäli koneeseen tulee vikaa, jätä se aina Black & Deckerin valtuuttamaan huoltoliikkeeseen korjattavaksi (tietoja saat uusimmasta tuoteluettelostamme/hinnastostamme tai ottamalla yhteyttä Black & Decker Oy:hyn). Täydelliset huoltotiedot löydät internetistä osoitteesta www.2helpU.com tai kotisivuiltamme www.blackdecker.fi. Tiedot huolloista löytyvät myös käyttöohjeen lopusta.

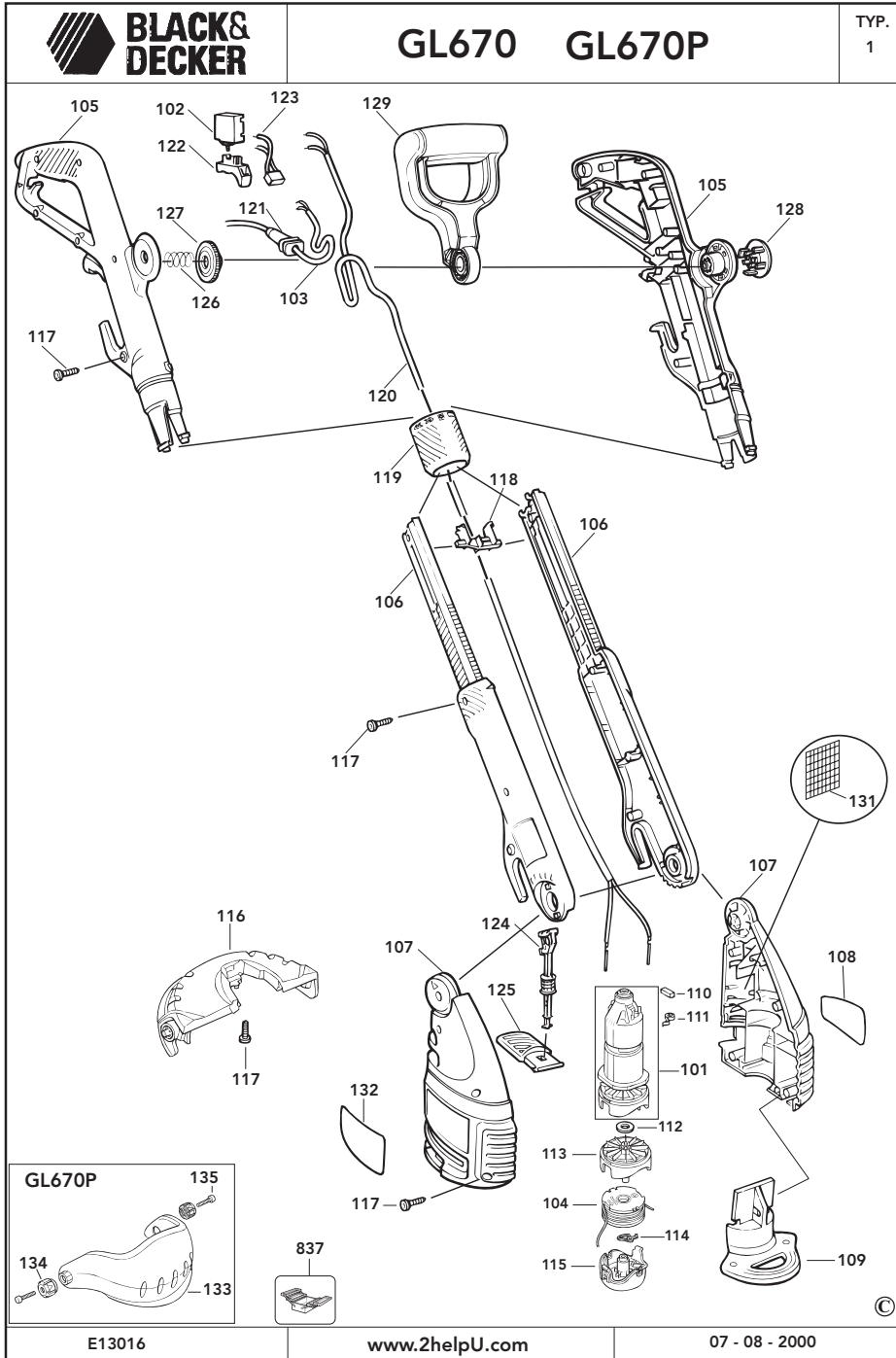
Jatkuvan tuotekehittelyn seurauksena nämä tiedot saattavat muuttua. Niistä emme ilmoita erikseen.

MUITA PUUTARHATYÖKALUJA

Black & Deckerillä on laaja valikoima puutarhakoneita, jotka tekevät puutarhan hoidon helpoksi. Lisätietoja alla olevista tuotteista saat Black & Deckerin jälleenmyyjältä tai kotisivuiltamme www.blackdecker.fi.

Sammaleenpoistajat
Pensasleikkurit
Ketjusahat
Puutarhanpuhdistaja
Nurmikonviimeistelijät
Ruohonleikkurit
Oksasilppurit







Australia	DeWALT Industrial Power Tool Company 7 Clarice Road, Box Hill, Victoria 3128	Tel. 03 9895 9200 Fax 03 9899 7465
Belgique/België	Black & Decker (Belgium) N.V. Weihoek 1, 1930 Zaventem	Tel. 02/719.07.11 Fax 02/719.08.10
Danmark	Black & Decker Hejrevang 26B, 3450 Allerød Internet: www.blackdecker.dk	Tel. 70 20 15 10 Fax 48 14 13 99
Deutschland	Black & Decker GmbH Black & Decker Str. 40, D - 65510 Idstein	Tel. 06126/21 24 83 Fax 06126/21 26 01
Ελλάς	Black & Decker (Ελλάς) A.E. Στράβωνος 7 & Βουλιαγμένης 159 Γλυφάδα 16674, Ελλάδα	Τηλ. (01) 8981-616 Φαξ (01) 8983-570 Service (01) 8982-630
España	Black & Decker Spain Parque de Negocios "Mas Blau" Edificio Muntadas, c/Bergadá, 1, Of. A6 08820 El Prat de Llobregat (Barcelona)	Tel. 934 797 400 Fax 934 797 419
France	Black & Decker (France) S.A.S. B.P. 21, 69571 Dardilly Cédex	Tel. 04 72 20 39 20 Fax 04 72 20 39 00
Helvetia	Eduard Luggen Black & Decker-Service Schweiz Industriestrasse 1 / Postfach 323 8157 Dielsdorf	Tel. 01/854 01 01 Fax 01/854 02 02
Italia	Black & Decker Italia SpA Viale Elvezia 2 20052 Monza (MI)	Tel. 039-23871 Fax 039-2387592/2387594 Numero verde 800-213935
Nederland	Black & Decker (Nederland) BV Florijnstraat 10, 4879 AH Etten-Leur	Tel. 076-5082000 Fax 076-5038184
New Zealand	Black & Decker 81 Hugo Johnson Drive Penrose, Auckland, New Zealand	Tel. 09 579 7600 Fax 09 579 8200
Norge	Black & Decker (Norge) A/S Postboks 248, Leirdal, 1011 Oslo Internet: www.blackdecker.no	Tlf. 22 90 99 00 Fax 22 90 99 01
Österreich	Black & Decker Vertriebsges.m.b.H Erlaaerstraße 165, 1231 Wien	Tel. 01 66116-0 Fax 01 66116-14
Portugal	Black & Decker Rua Egas Moniz 173, 2766-651 S. João do Estoril	Tel. 214667500 Fax 214667575
South Africa	Black & Decker South Africa (Pty) Ltd Physical address: 146 Lechwe Street, Corporate park Randjiesfontein, Midrand Postal address: Postnet Suite 107, Private Bag X65 Halfway House 1685	Tel. (011) 653-1400 Fax (011) 653-1499
Suomi	Black & Decker Oy Palotie 3, 01610 Vantaa Black & Decker Oy, Brandvägen 3, 01610 Vanda	Puh: (09) 825 4540 Fax: (09) 825 45 444 Tel: (09) 825 4540 Fax: (09) 825 45 444
Sverige	Black & Decker AB Box 603, 421 26 Västra Frölunda, Besöksadr. Ekonomivägen 11	Tel: 031-68 60 00 Fax: 031-68 60 08
Türkiye	Black & Decker Merkez Servis Dudullu Cad. Kerembey Sok. No. 1 Küçükbakkalköy/Istanbul	Tel. 0216 455 89 73 Faks 0216 455 20 52
United Kingdom	Black & Decker 210 Bath Road Slough, Berkshire SL1 3YD	Tel. 01753 511234 Fax 01753 551155 Helpline 01753 574277

806620-10



Dealer address
Händleradresse
Cachet du revendeur
Indirizzo del rivenditore
Adres van de dealer
Dirección del detallista
Morada do revendedor
Återförsäljarens adress
Forhandlens adresse
Jälleenmyyjän osoite
Διεύθυνση αντιπροσώπου

- ◆ Name ◆ Nom ◆ Nome
- ◆ Naam ◆ Nombre ◆ Nome ◆ Namn
- ◆ Navn ◆ Navn ◆ Nimi ◆ Oνομα:

- ◆ Address ◆ Adresse ◆ Adresse
- ◆ Indirizzo ◆ Adres ◆ Dirección ◆ Morada
- ◆ Address ◆ Adresse ◆ Adresse ◆ Osoite
- ◆ Διεύθυνση:

- ◆ Town ◆ Ort ◆ Ville ◆ Città ◆ Plaats
- ◆ Ciudad ◆ Localidade ◆ Ort ◆ By ◆ By
- ◆ Paikkakunta ◆ Πόλη:

- ◆ Postal code ◆ Postleitzahl ◆ Code postal ◆ Codice postale ◆ Postcode
- ◆ Código ◆ Código postal ◆ Postnr.
- ◆ Postnr. ◆ Postnr. ◆ Postnummero
- ◆ Κωδικός



- ◆ Is this tool a gift? ◆ Ist dieses Gerät ein Geschenk? ◆ S'agit-il d'un cadeau? ◆ Si tratta di un regalo? ◆ Kreeg u de machine als cadeau? ◆ ¿Ha recibido usted esta herramienta como regalo? ◆ Recebeu esta ferramenta como presente? ◆ Är verktyget en gåva? ◆ Er verktyget en gave? ◆ Onko kone lahja? ◆ Το εργαλείο είναι δωρό?

- ◆ Yes ◆ Ja ◆ Oui ◆ Si ◆ Ja ◆ Si
- ◆ No ◆ Nein ◆ Non ◆ No ◆ Nee ◆ No ◆ Não ◆ Nej ◆ Nei ◆ Nej
- ◆ Ei ◆ OXt

- ◆ Is this tool your first purchase? ◆ Ist dieses Gerät ein Erstkauf? ◆ Est-ce un 1er achat? ◆ Questo prodotto è il suo primo acquisto? ◆ Is deze machine uw eerste aankoop? ◆ ¿Es esta herramienta la primera de este tipo? ◆ Esta ferramenta é a sua primeira compra? ◆ Är detta ditt första B&D-verktyg? ◆ Er dette ditt første B&D-verktoy? ◆ Er dette dit første B&D



Date of purchase
Kaufdatum
Date d'achat
Data d'acquisto
Aankoopdatum
Fecha de compra
Data de compra
Inköpsdatum
Innkjøpsdato
Indkøbsdato
Ostopäivä
Ημερομηνία αγοράς

- verktøj? ◆ Onko tämä ensimmäinen B&D-koneesi? ◆ Είναι το εργαλείο αυτό η πρώτη σας αγορά?

- ◆ Yes ◆ Ja ◆ Oui ◆ Si ◆ Ja ◆ Si
- ◆ No ◆ Nein ◆ Non ◆ No ◆ Nee ◆ No ◆ Não ◆ Nej ◆ Nei ◆ Nej
- ◆ Ei ◆ OXt

- ◆ Dealer address ◆ Händleradresse
- ◆ Cachet du revendeur ◆ Indirizzo del rivenditore ◆ Adres van de dealer
- ◆ Dirección del detallista ◆ Morada do revendedor ◆ Återförsäljarens adress
- ◆ Forhandlens adresse ◆ Forhandler adresse ◆ Jälleenmyyjän osoite
- ◆ Διεύθυνση αντιπροσώπου

Cat. no.:



- ◆ Data protection act: Tick the box if you prefer not to receive further information. ◆ Bitte ankreuzen, falls Sie keine weiteren Informationen erhalten möchten. ◆ Si vous ne souhaitez pas recevoir d'informations, cochez cette case. ◆ Barrate la casella se non desiderate ricevere informazioni.
- ◆ A.u.b., dit vakje aankruisen indien u geen informatie wenst te ontvangen.
- ◆ Señale en la casilla sino quiere recibir información. ◆ Por favor, assinala com uma cruz se não desejar receber informação. ◆ Vänligen kryssa för i rutan om Ni inte vill ha information.
- ◆ Vennligst kryss av dersom du ikke ønsker informasjon. ◆ Venligst sæt kryds i ruden såfremt De ikke måtte ønske at modtage information.
- ◆ Merkitkää rasti ruutuun, mikäli ette halua vastaanottaa informaatiota.
- ◆ Παράκαλείστε να σημειώσετε εάν δεν θέλετε να πάρετε πληροφορίες.





- ◆ GUARANTEE CARD
- ◆ GARANTIEKAART
- ◆ GARANTI KORT
- ◆ GARANTIEKARTE
- ◆ TARJETA DE GARANTÍA
- ◆ GARANTI KORT
- ◆ CARTE DE GARANTIE
- ◆ CARTÃO DE GARANTIA
- ◆ TAKUKORTTI
- ◆ TAGLIANDO DI GARANZIA
- ◆ GARANTIBEVIS
- ◆ KAPTA EΓΓΥΗΣΗΣ

**English**

Please complete this section immediately after the purchase of your tool and send it to Black & Decker in your country. If you live in Australia or New Zealand, please register by using the alternative guarantee card supplied.

Deutsch

Bitte schneiden Sie diesen Abschnitt ab, stecken ihn in einen frankierten Umschlag und schicken ihn an die Black & Decker Adresse Ihres Landes.

Français

Découpez cette partie et envoyez-la sous enveloppe timbrée à l'adresse de Black & Decker dans votre pays, ceci immédiatement après votre achat.

Italiano

Per favore ritagliate questa parte, inseritela in una busta con francobollo e spedite-la subito dopo l'acquisto del prodotto all'indirizzo della Black & Decker nella vostra nazione.

Nederlands

Knip dit gedeelte uit en zend het direct na aankoop in een gefrankeerde, geaddresserde envelop naar het adres van Black & Decker in uw land.

Español

Después de haber comprado su herramienta envíe usted, por favor, esta tarjeta a la central de Black & Decker en su país.

Português

Por favor, recorte esta parte, coloque-a num envelope selado e endereçado e envie-o logo após a compra do seu produto para o endereço da Black & Decker do seu país.

Svenska

Var vänlig klipp ur denna del och sänd den i ett frankerat kuvert till Black & Deckers adress i Ditt land.

Norsk

Vennligst klipp ut denne delen umiddelbart etter du har pakket ut ditt produkt og legg det i en adressert konvolutt til Black & Decker (Norge) A/S.

Dansk

Venligst klip denne del ud og send frankeret til Black & Decker i dit land.

Suomi

Leikkaa irti tämä osa, laita se kuoreen ja postita kuori paikalliseen Black & Decker osoitteeseen.

Ελληνικά

Παράκαλώ κόψτε αυτό το κομμάτι και ταχυδρομήστε το αμέσως μετά την αγορά του προϊόντος σας στην διεύθυνση της Black & Decker στην Ελλάδα.

